

US00D434805S

United States Patent [19] Chris

[11] **Patent Number: Des. 434,805**

[45] **Date of Patent: ** Dec. 5, 2000**

[54] **ATTENTION DRAWING DISPLAY**

D. 413,933 9/1999 Glicksman D20/10

[75] Inventor: **Ike Chris**, Springfield, Va.

Primary Examiner—Marcus A. Jackson
Attorney, Agent, or Firm—Klima & Pezzlo, P.C.

[73] Assignee: **CarLot Promotions, Inc.**, Springfield, Va.

[**] Term: **14 Years**

[57] **CLAIM**

The ornamental design for an attention drawing display, as shown and described.

[21] Appl. No.: **29/108,062**

[22] Filed: **Jul. 21, 1999**

DESCRIPTION

[51] **LOC (7) Cl.** **19-08**

FIG. 1 is a perspective view of the present invention.

[52] **U.S. Cl.** **D20/10**

FIG. 2 is a top view.

[58] **Field of Search** D20/10, 40, 41, D20/99; 40/538, 540, 584, 586; 116/DIG. 9

FIG. 3 is a side view, with the opposite sides being a mirror image; and,

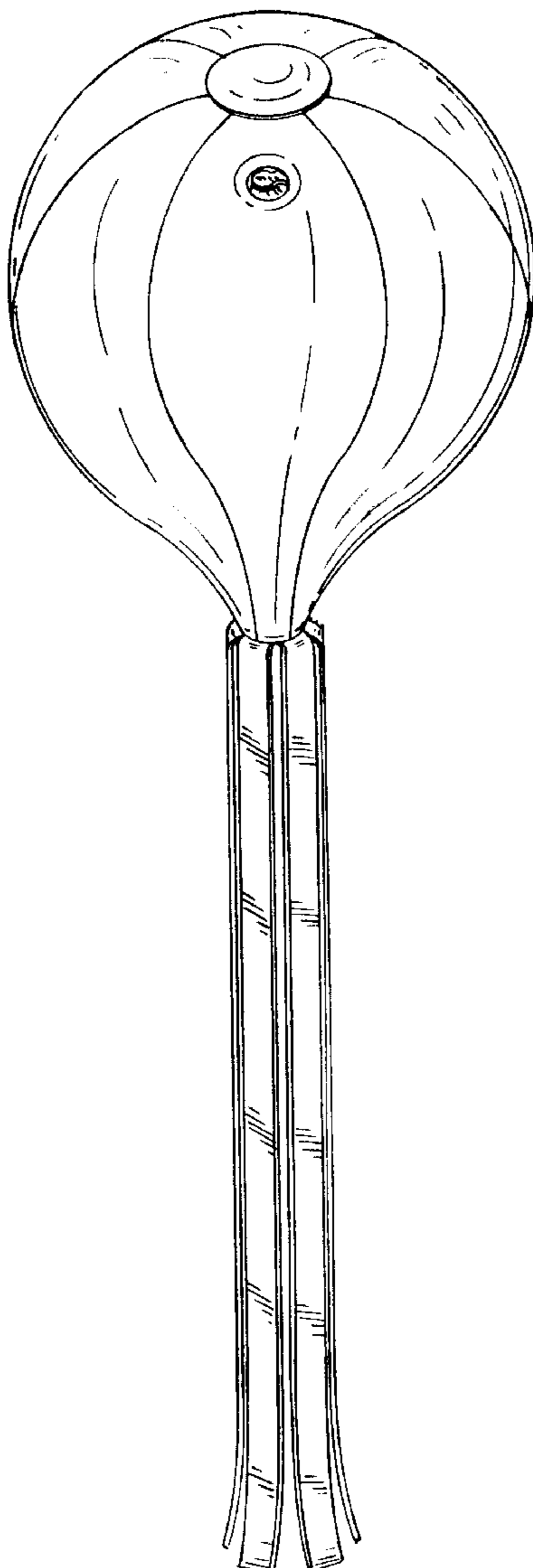
[56] **References Cited**

FIG. 4 is a bottom view.

U.S. PATENT DOCUMENTS

D. 407,118 3/1999 Whitten D20/10

1 Claim, 2 Drawing Sheets



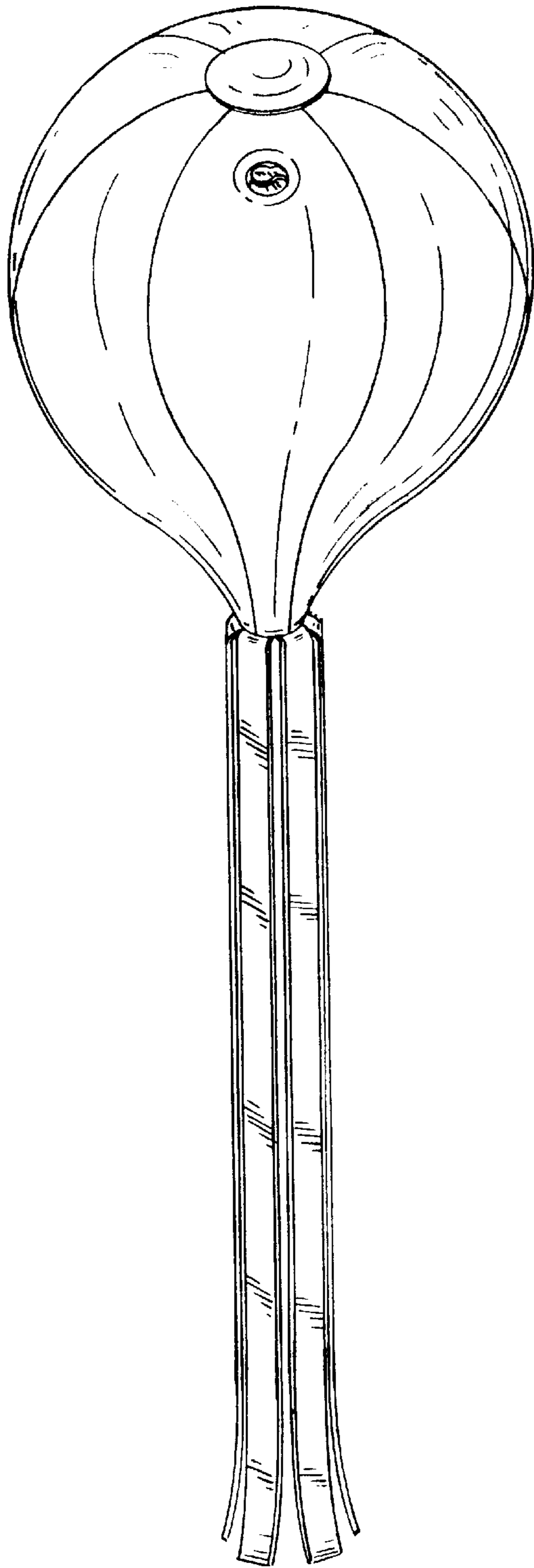


FIG. 1

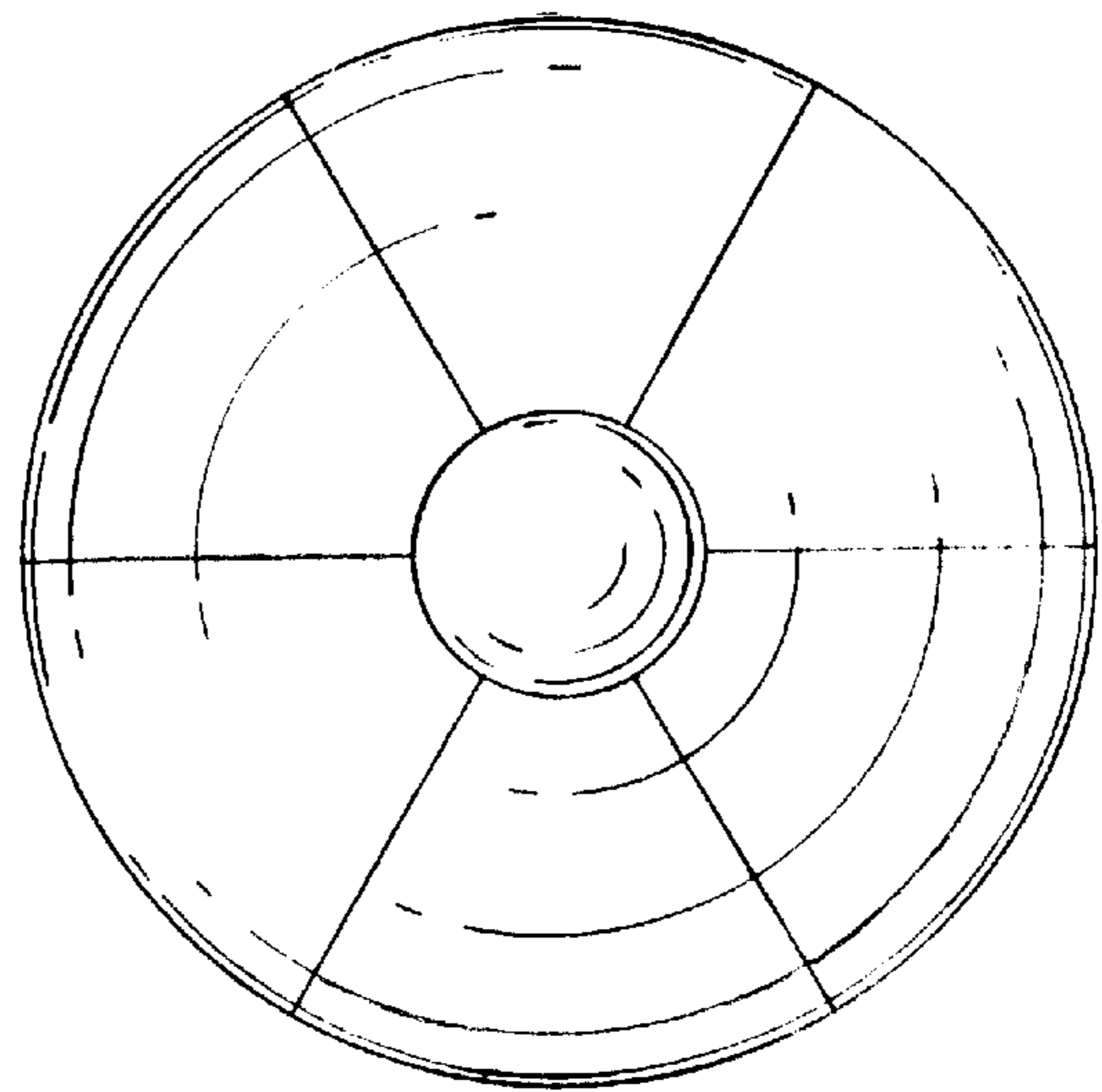


FIG. 2

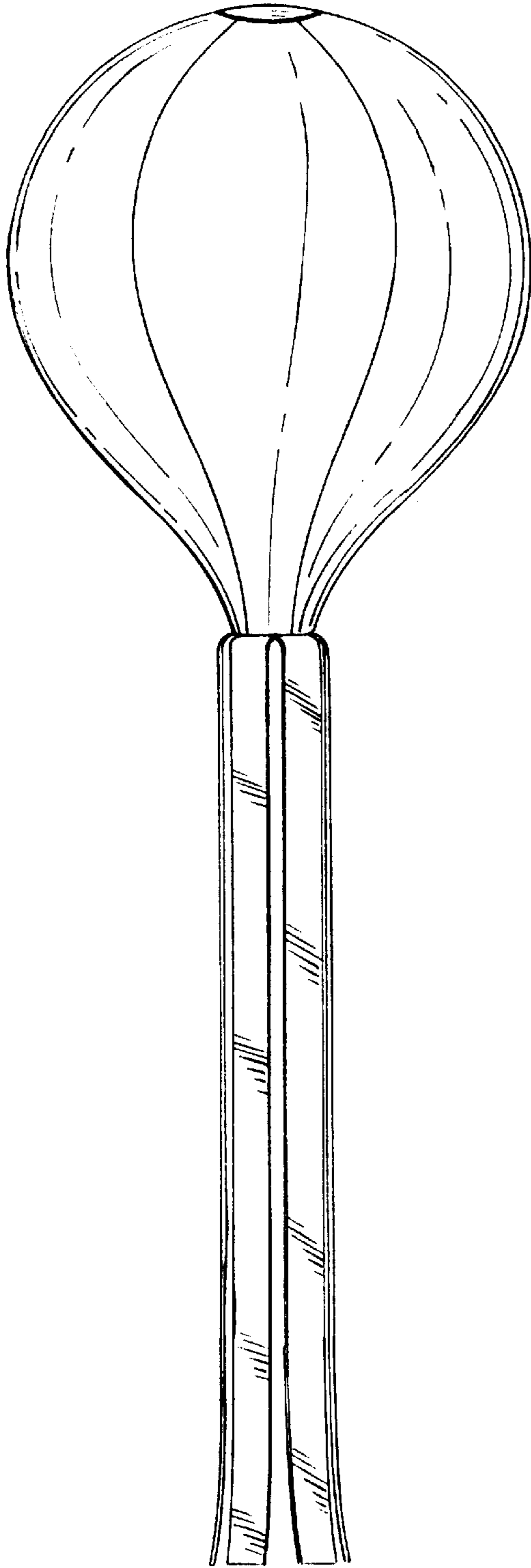


FIG. 3

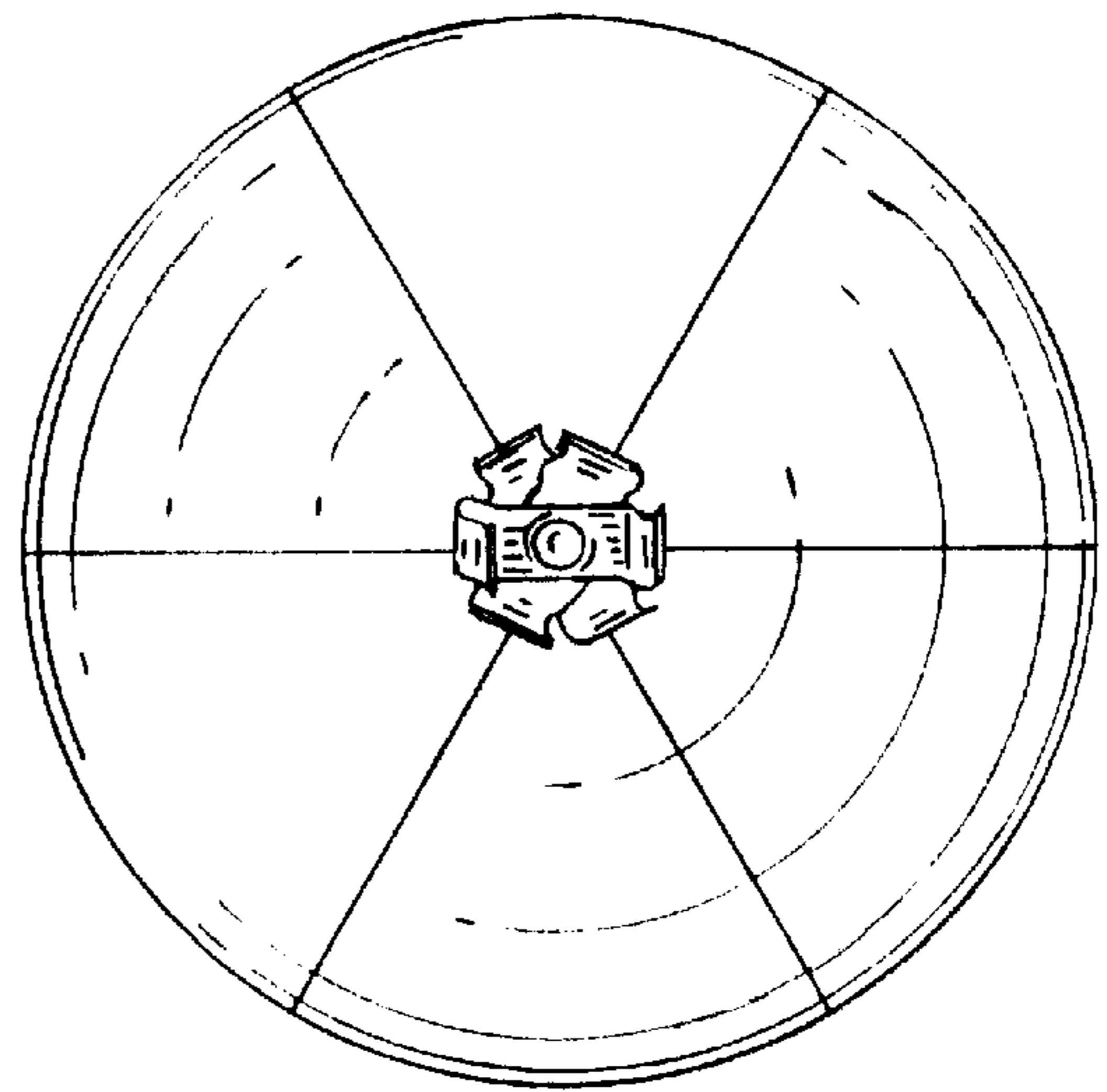


FIG. 4