



US00D434802S

# United States Patent [19] Chang

[11] Patent Number: **Des. 434,802**

[45] Date of Patent: **\*\* Dec. 5, 2000**

[54] **BOX FOR STATIONERY GOODS**

[76] Inventor: **Chun Yuan Chang**, P.O. Box 63-99,  
Taichung, Taiwan, 406

[\*\*] Term: **14 Years**

[21] Appl. No.: **29/112,044**

[22] Filed: **Oct. 8, 1999**

[51] **LOC (7) Cl.** ..... **19-06**

[52] **U.S. Cl.** ..... **D19/77; D19/78; D19/85;**  
D19/86

[58] **Field of Search** ..... D19/65, 75, 77,  
D19/78, 81-85, 86, 90, 91, 92, 95, 99,  
100; D6/475, 476; D7/601, 602, 612; 211/69.1-69.9,  
11, 50; 206/214, 215, 371, 224; D34/1,  
220, 908; 220/908

D. 372,146 7/1996 Svec ..... D6/476  
4,986,417 1/1991 Hsu ..... 206/214  
5,487,466 1/1996 Robson ..... 206/214  
5,816,416 10/1998 Tsai ..... 211/69.1

### OTHER PUBLICATIONS

Letraset Catalog ©1983, see circled pattern, p. 255.

*Primary Examiner*—Martie K. Holtje

### [57] CLAIM

The ornamental design for a box for stationery goods, as shown and described.

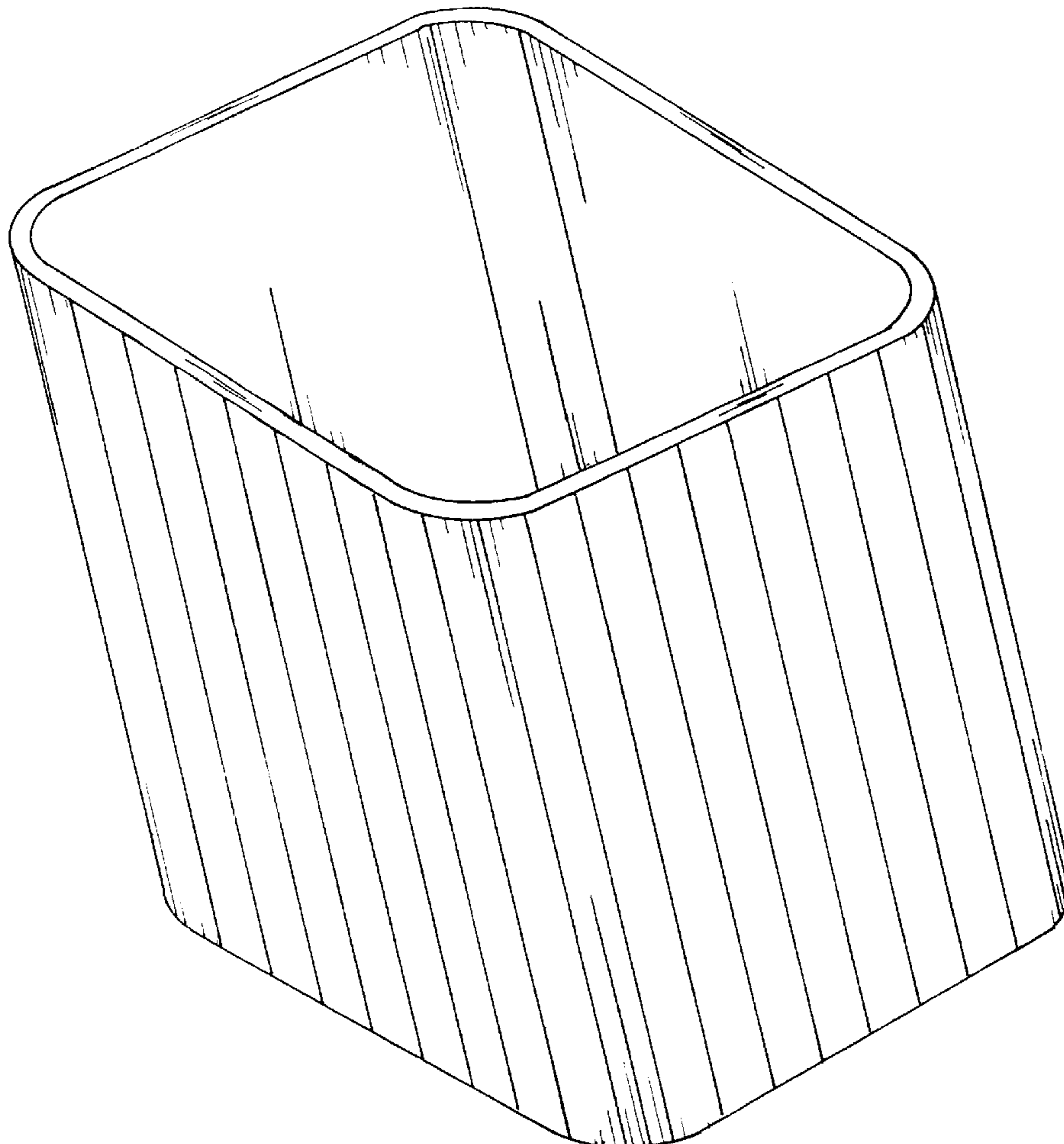
### DESCRIPTION

FIG. 1 is a perspective view of a box for stationery goods showing my new design;  
FIG. 2 is a front elevational view thereof;  
FIG. 3 is a rear elevational view thereof;  
FIG. 4 is a top plan view thereof;  
FIG. 5 is a bottom plan view thereof;  
FIG. 6 is a left side elevational view thereof; and,  
FIG. 7 is a right side elevational view thereof.

[56] **References Cited**  
U.S. PATENT DOCUMENTS

D. 296,116 6/1988 Klodt ..... D19/85  
D. 297,439 8/1988 Rabig ..... D19/85  
D. 299,477 1/1989 Klodt ..... D19/85  
D. 332,677 1/1993 Samelson ..... D34/1

**1 Claim, 4 Drawing Sheets**



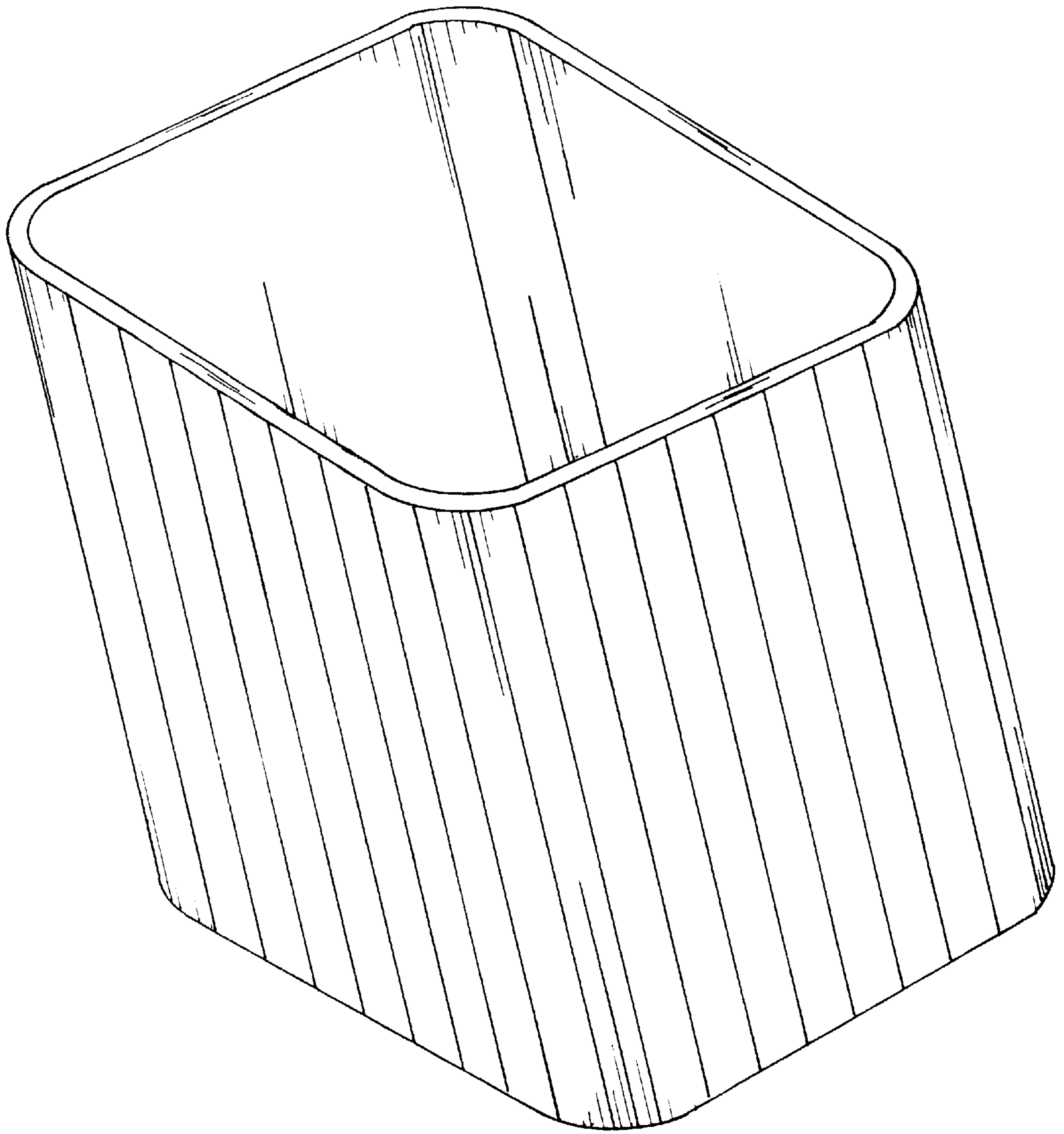


FIG. 1

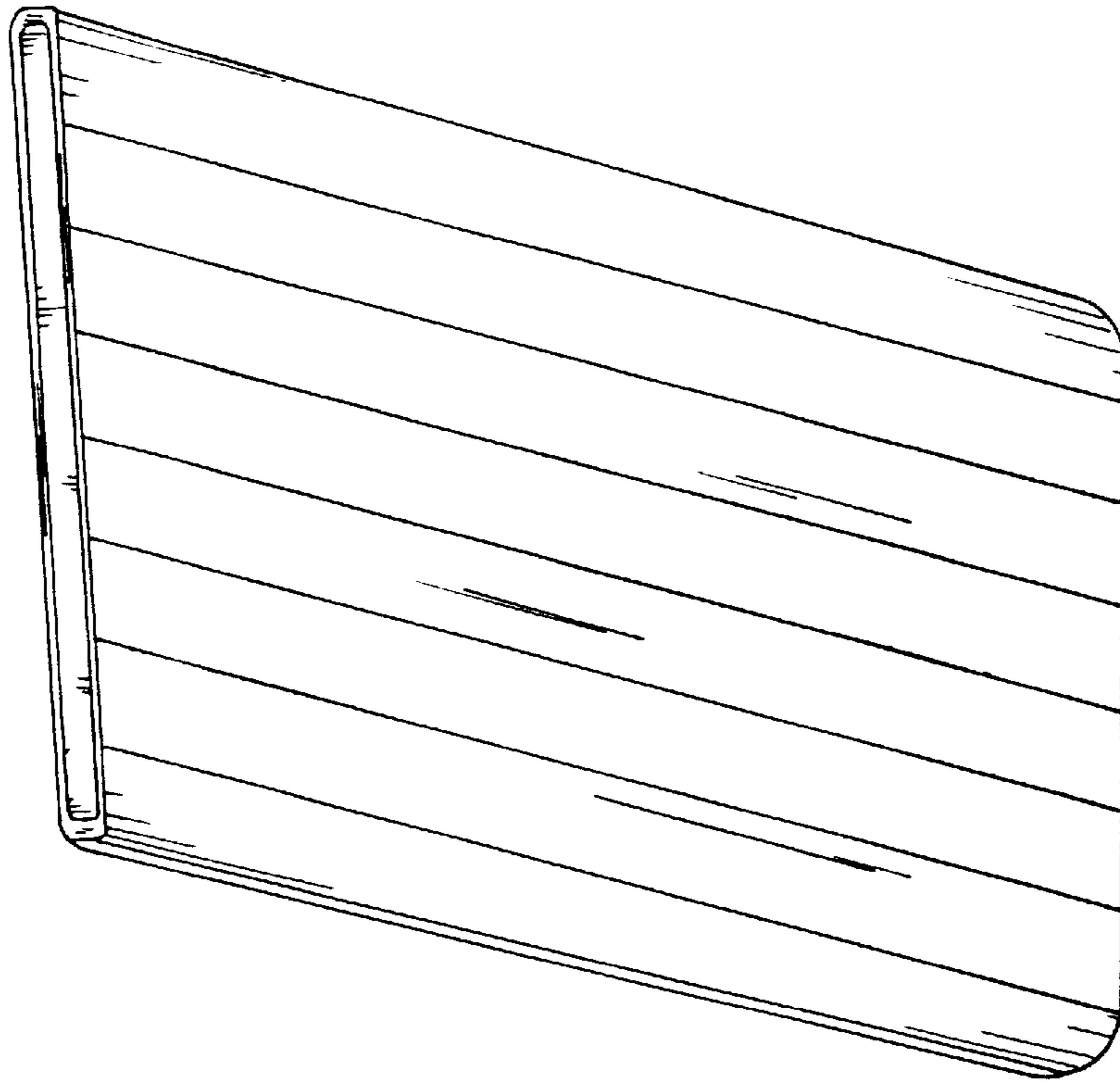


FIG. 3

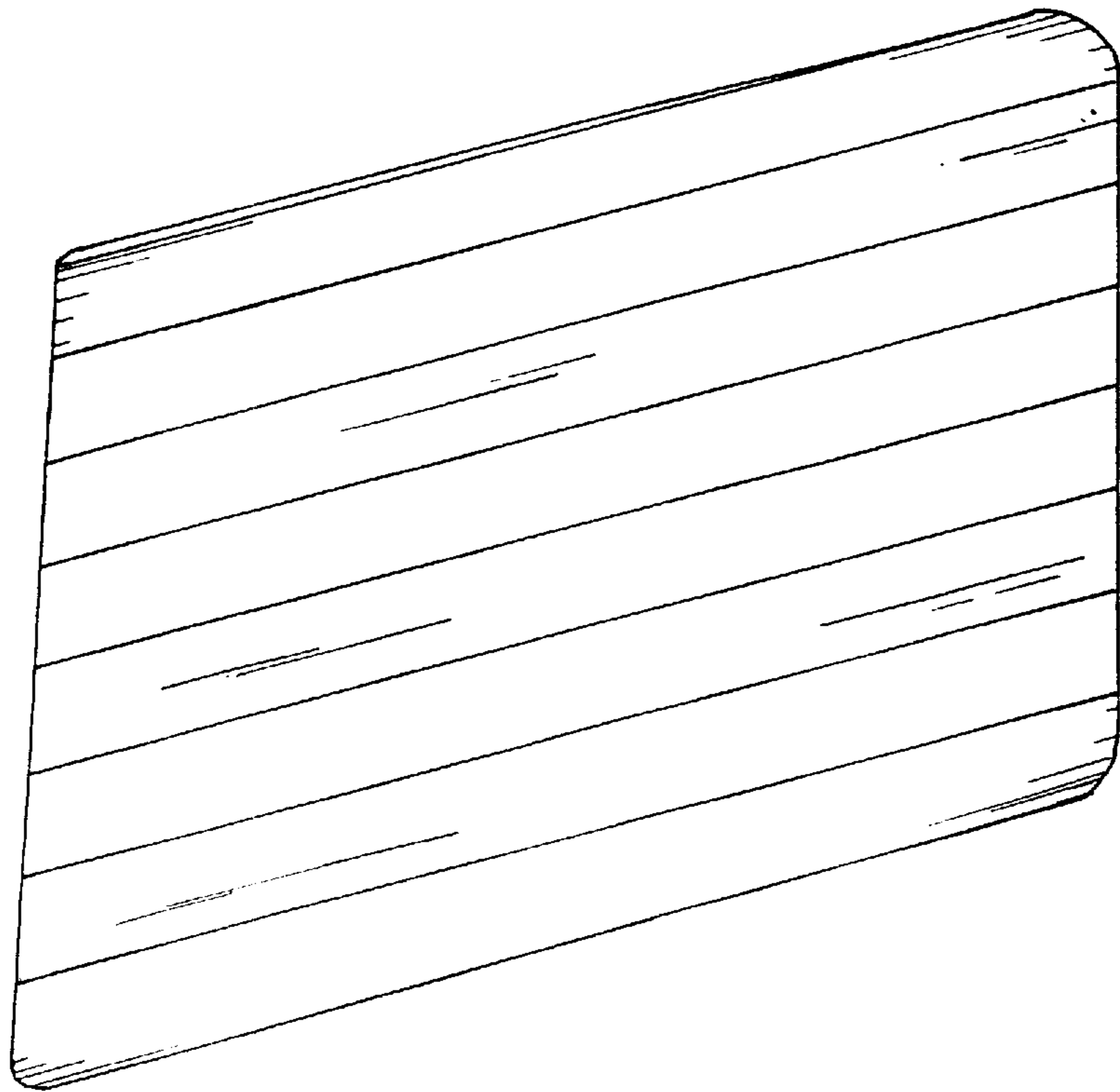


FIG. 2

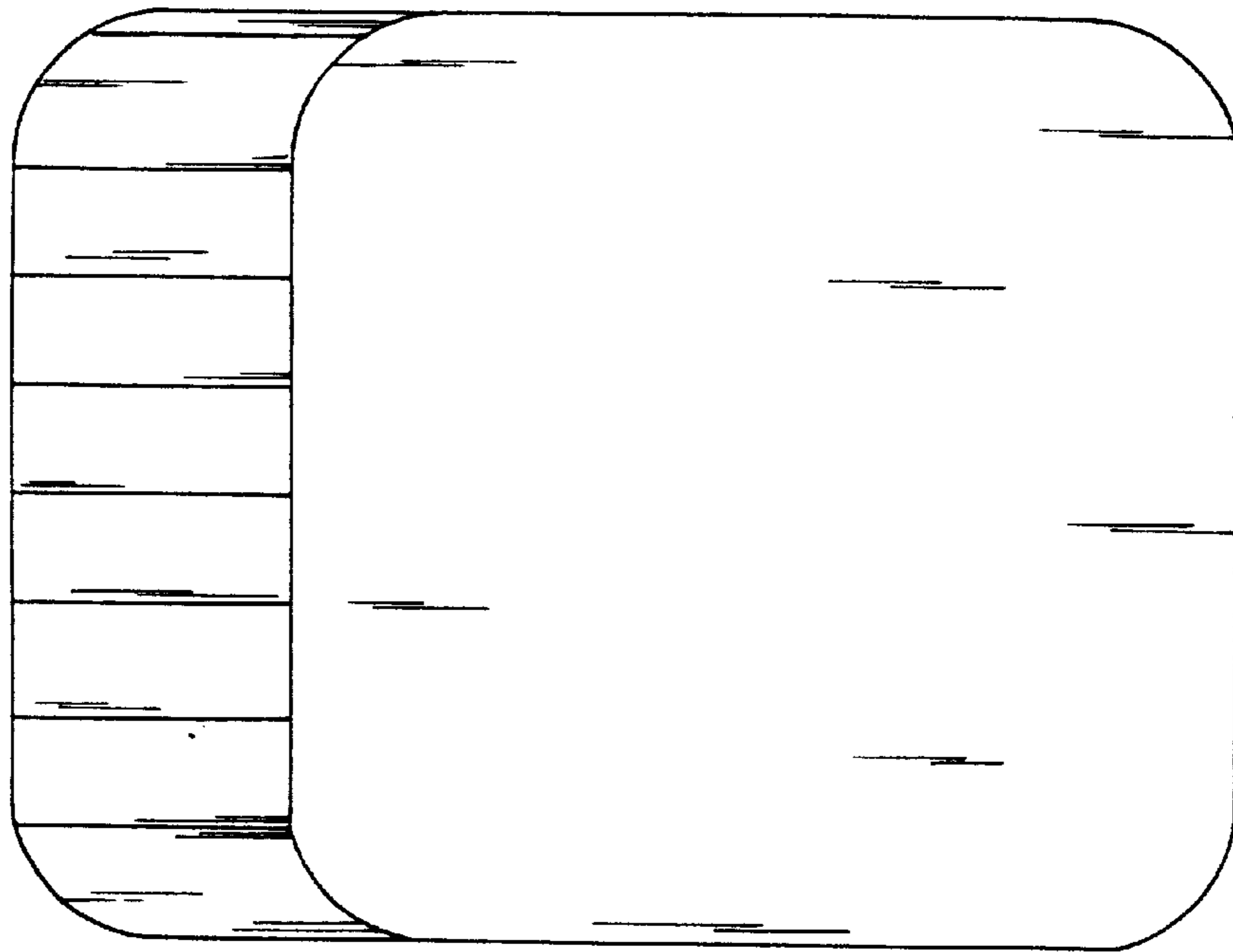


FIG. 5

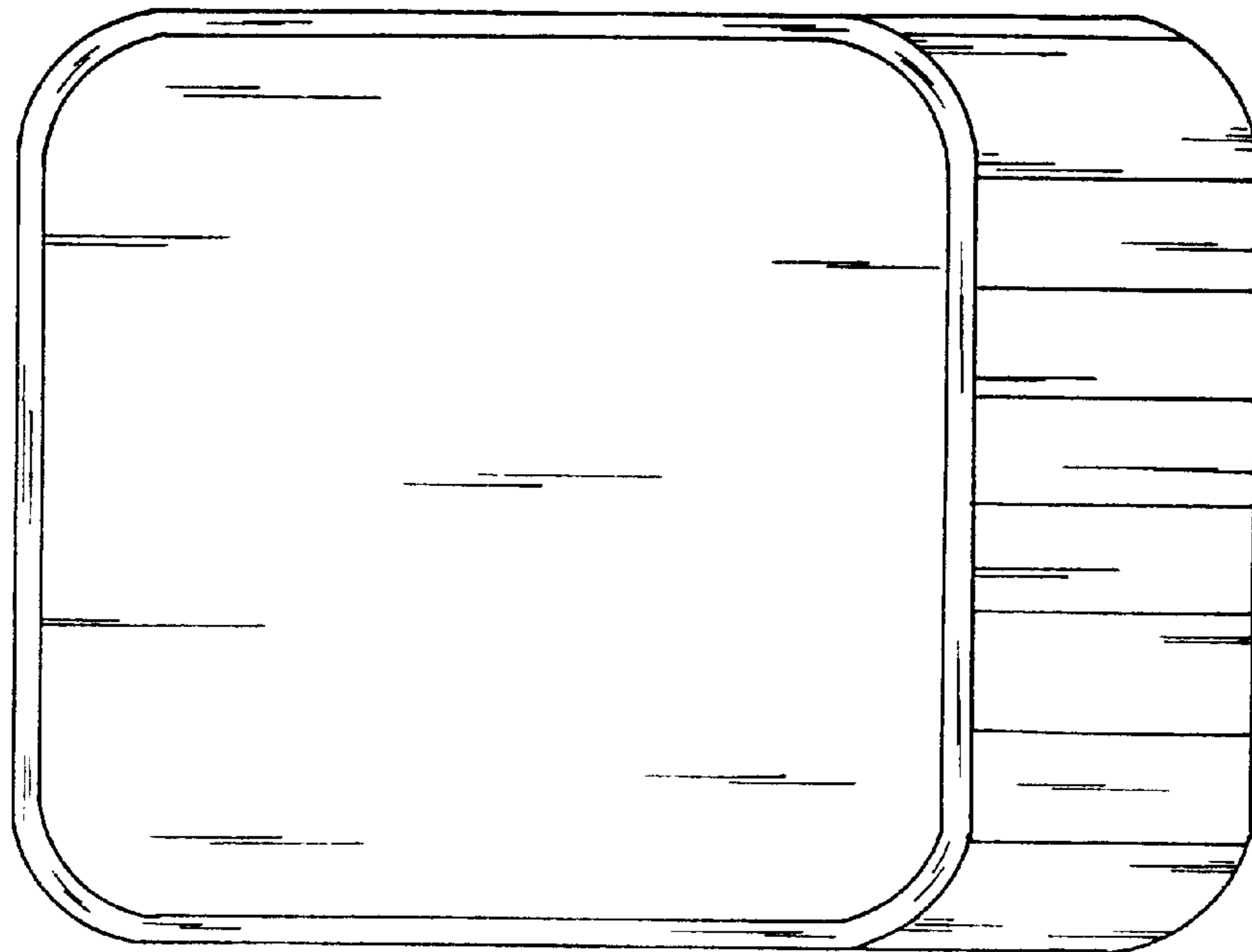


FIG. 4

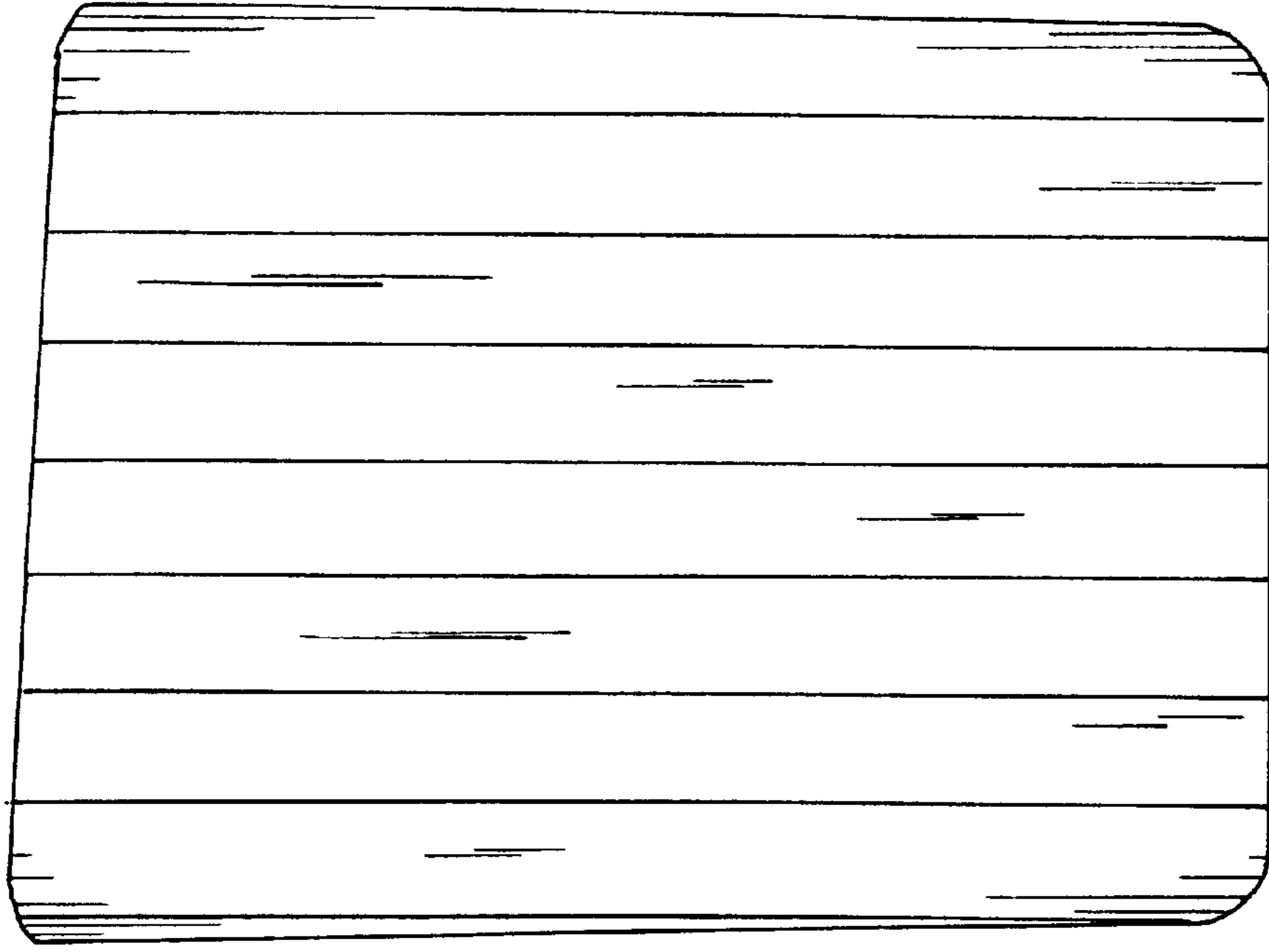


FIG. 6

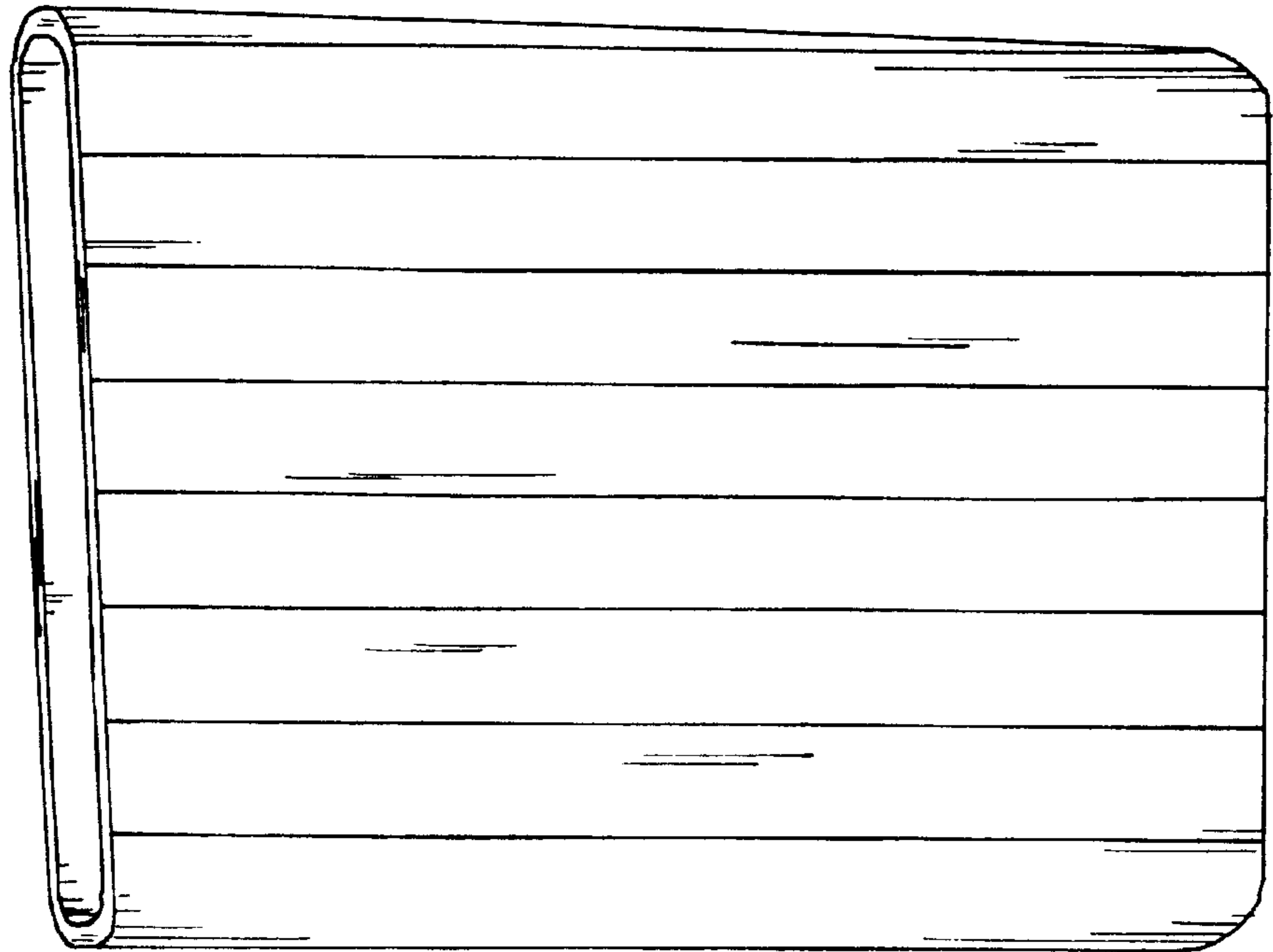


FIG. 7