



US00D434795S

United States Patent [19]

[11] Patent Number: **Des. 434,795**

Huberman et al.

[45] Date of Patent: **** Dec. 5, 2000**

- [54] **TEETHER BOOK**
- [75] Inventors: **Susan Huberman**, Rancho Santa Fe;
Steven Bryan Dunn, Beverly Hills,
both of Calif.
- [73] Assignee: **Munchkin, Inc.**, Van Nuys, Calif.
- [**] Term: **14 Years**
- [21] Appl. No.: **29/112,618**
- [22] Filed: **Oct. 20, 1999**
- [51] **LOC (7) Cl.** **19-04**
- [52] **U.S. Cl.** **D19/26; D19/33; D24/194**
- [58] **Field of Search** **D19/26, 27-32,**
D19/33, 78, 86, 90, 91, 99, 100; D3/303,
900; 281/15.1, 19.1, 21.1, 27, 29, 30, 31,
35, 44, 45, 51; 402/73, 79, 80 R; D24/193,
194

1,236,336	8/1917	Merrill	D19/86
4,063,369	12/1977	Hart	35/35 E
4,280,241	7/1981	Pfaff	281/29 X
5,217,256	6/1993	Lomas	281/20
5,472,364	12/1995	Castleman	446/71
5,533,758	7/1996	Lee	281/20
5,871,237	2/1999	Hunt	281/21.1
6,000,986	12/1999	Kaufman	446/147

Primary Examiner—Martie K. Holtje
Attorney, Agent, or Firm—Knoble & Yoshida, LLC

[57] CLAIM

An ornamental design for an teether book, as shown and described.

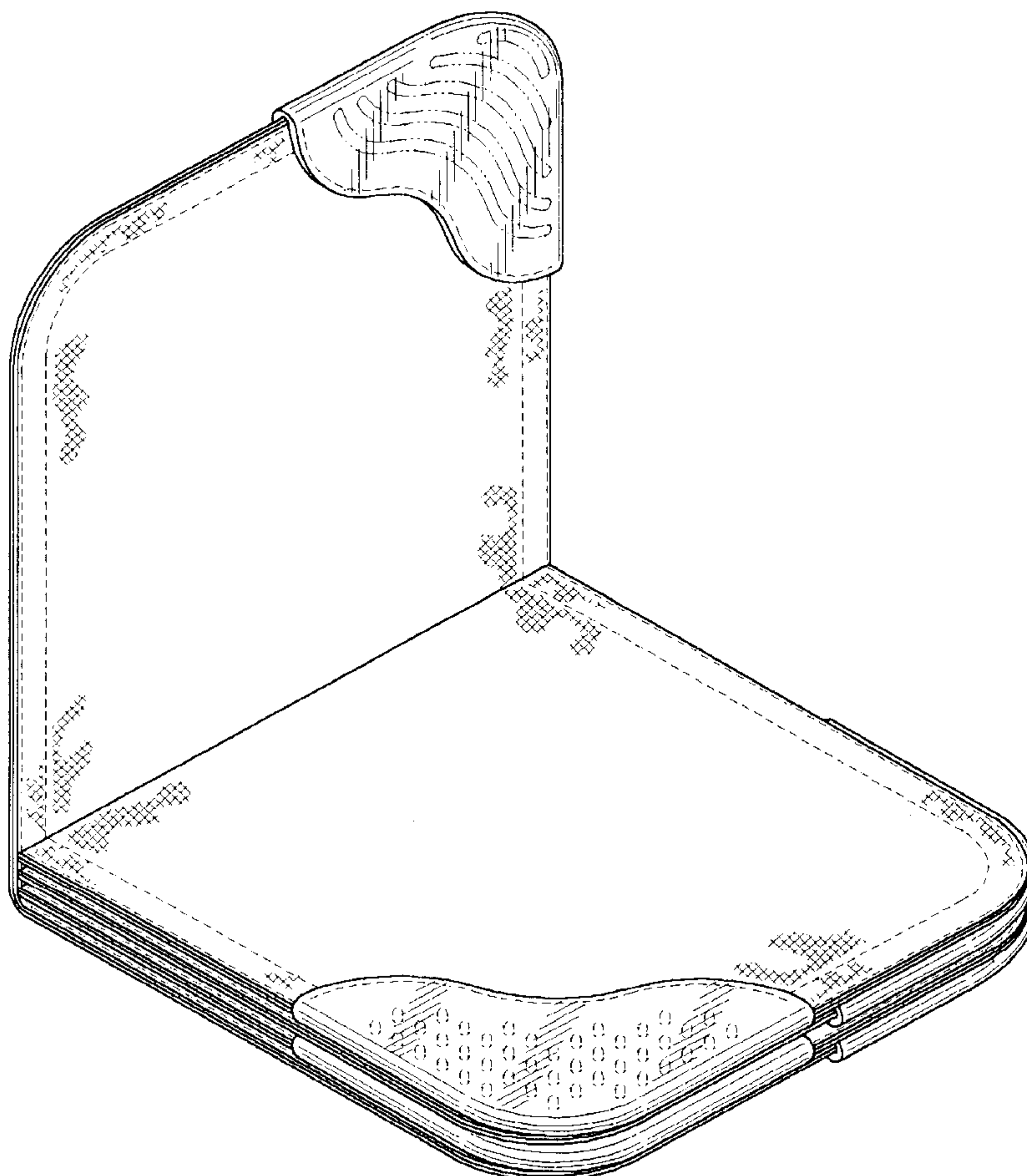
DESCRIPTION

FIG. 1 is a perspective view showing our new design;
 FIG. 2 is a front elevational view;
 FIG. 3 is a top plan view;
 FIG. 4 is a bottom plan view;
 FIG. 5 is a first side elevational view;
 FIG. 6 is a second side elevational view; and,
 FIG. 7 is a rear elevational view.

Any uneven broken lines denote environmental structure and are not part of the claimed design.

- [56] **References Cited**
- U.S. PATENT DOCUMENTS**
- D. 298,777 11/1988 Gorman D24/194
- D. 352,062 11/1994 Nichols D19/26
- D. 374,037 9/1996 Wyant et al. D19/26
- 697,979 4/1902 Cane 281/35

1 Claim, 7 Drawing Sheets



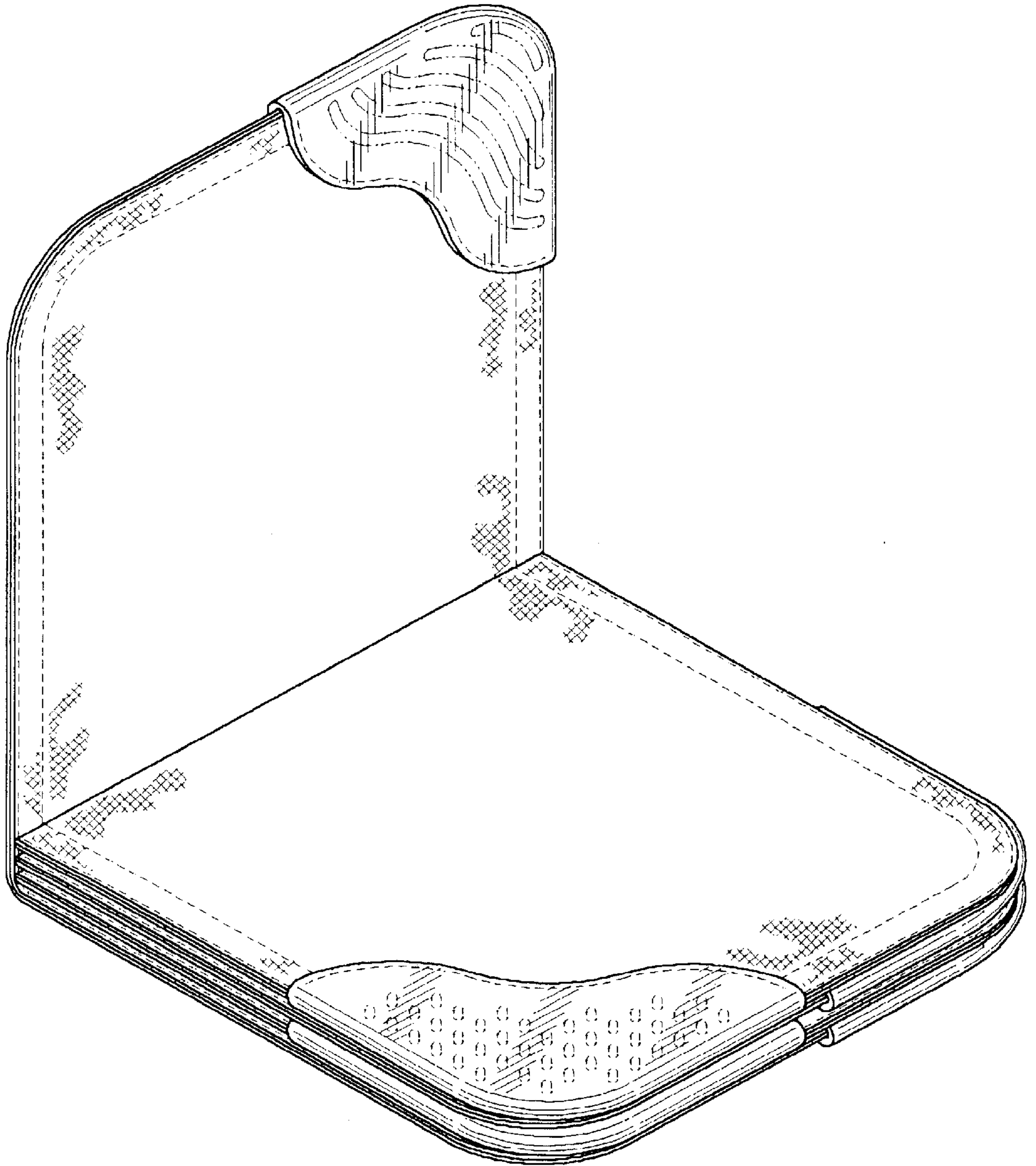


FIG. 1

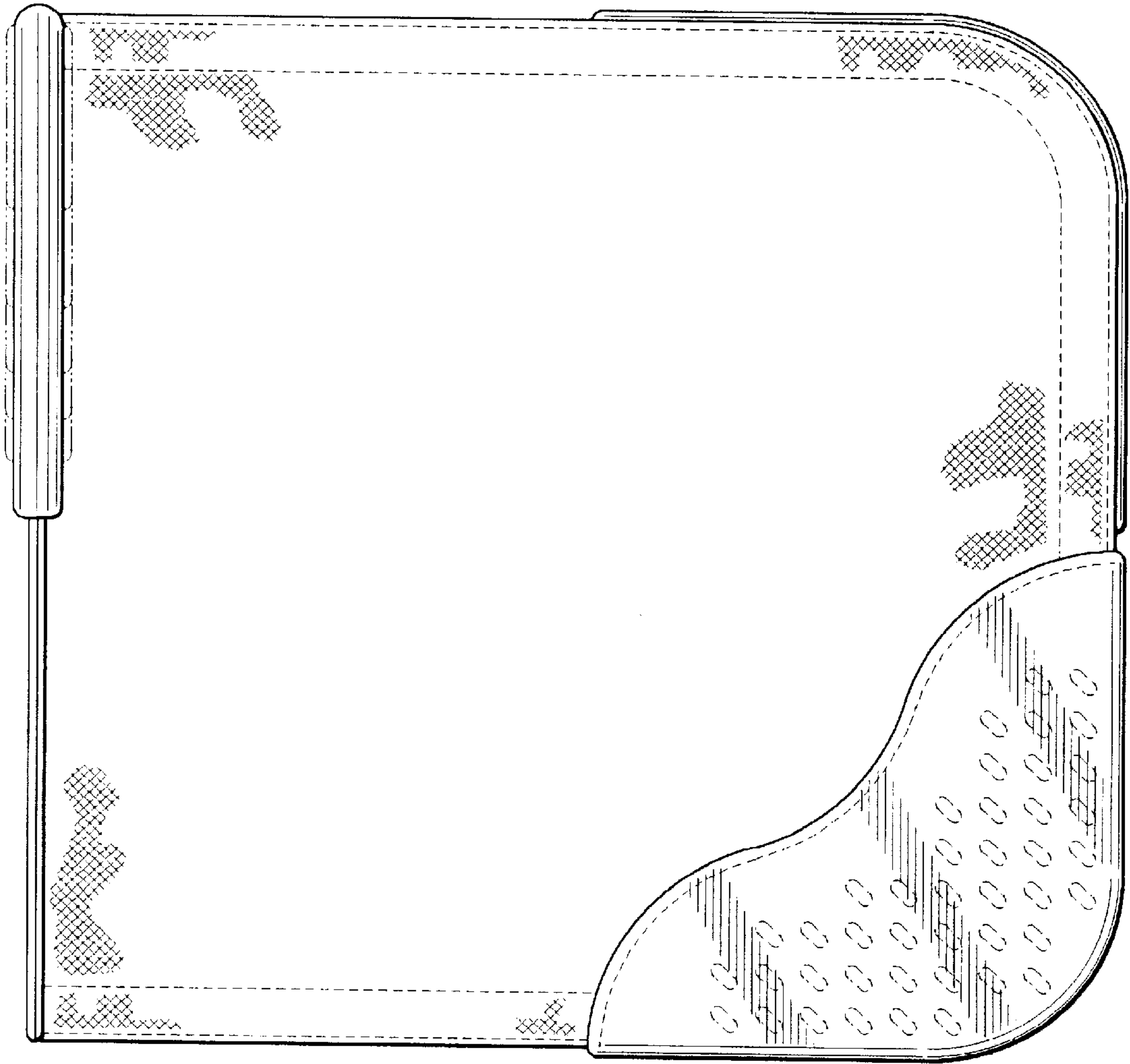


FIG. 2

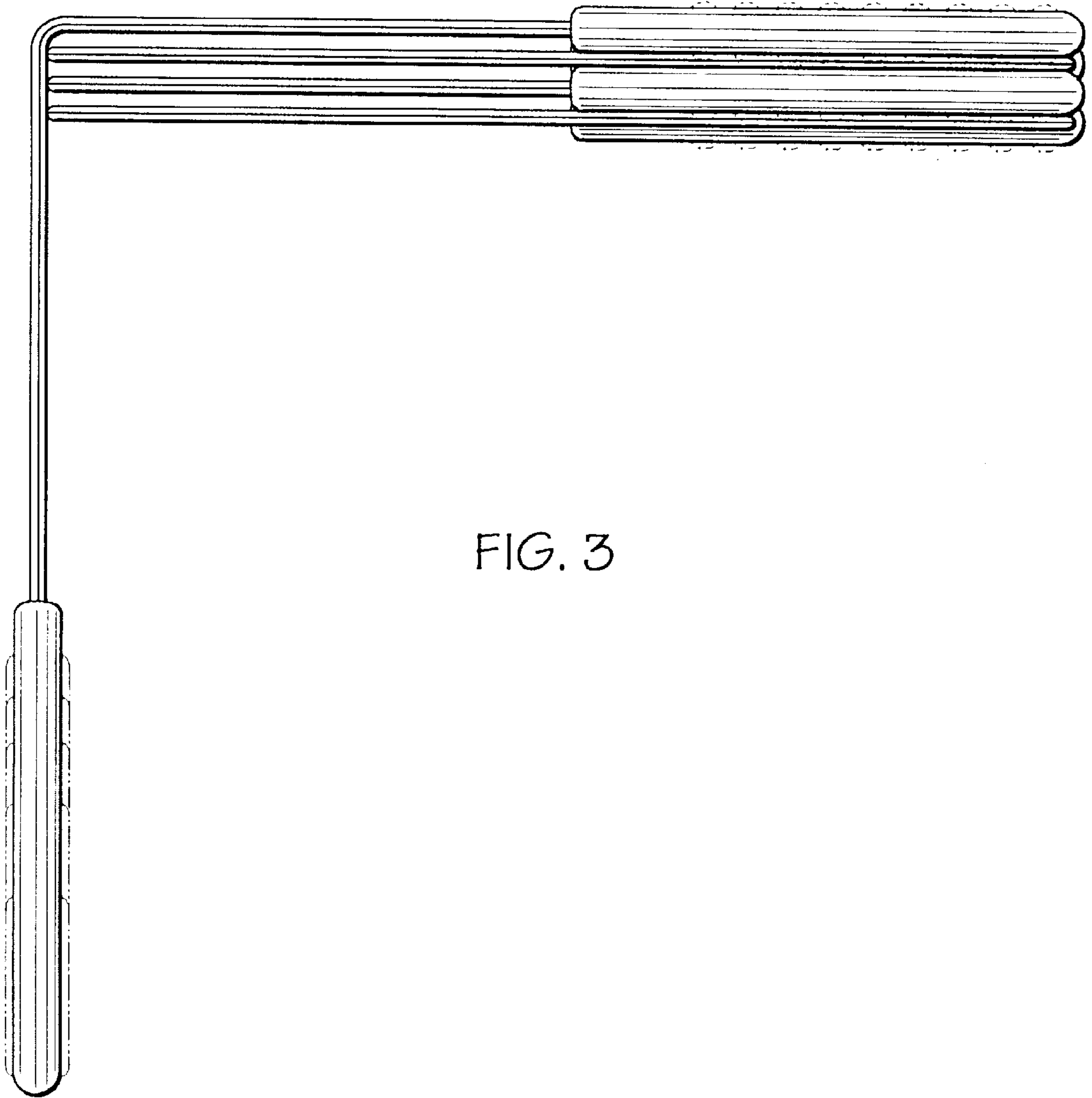


FIG. 3

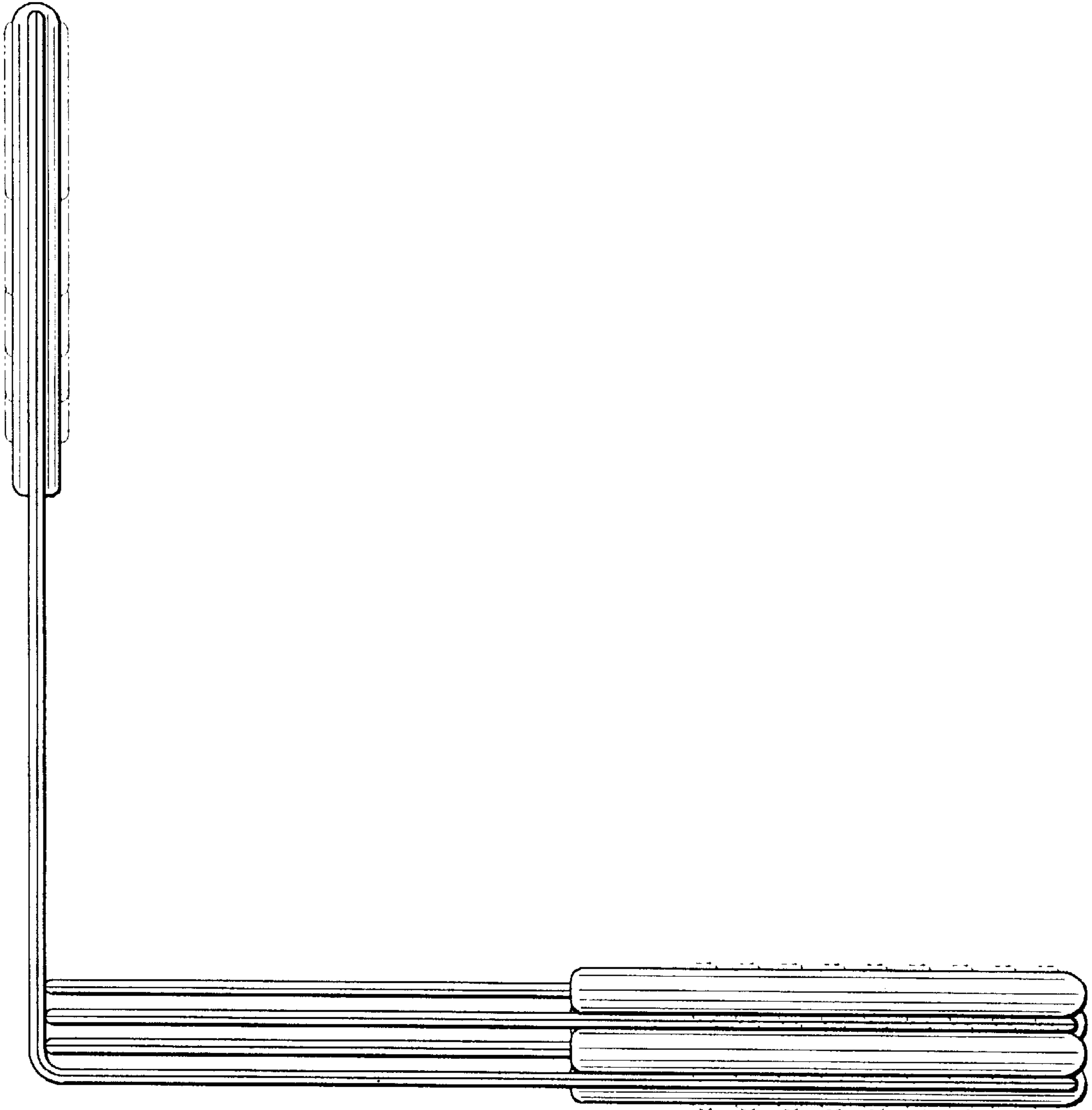


FIG. 4

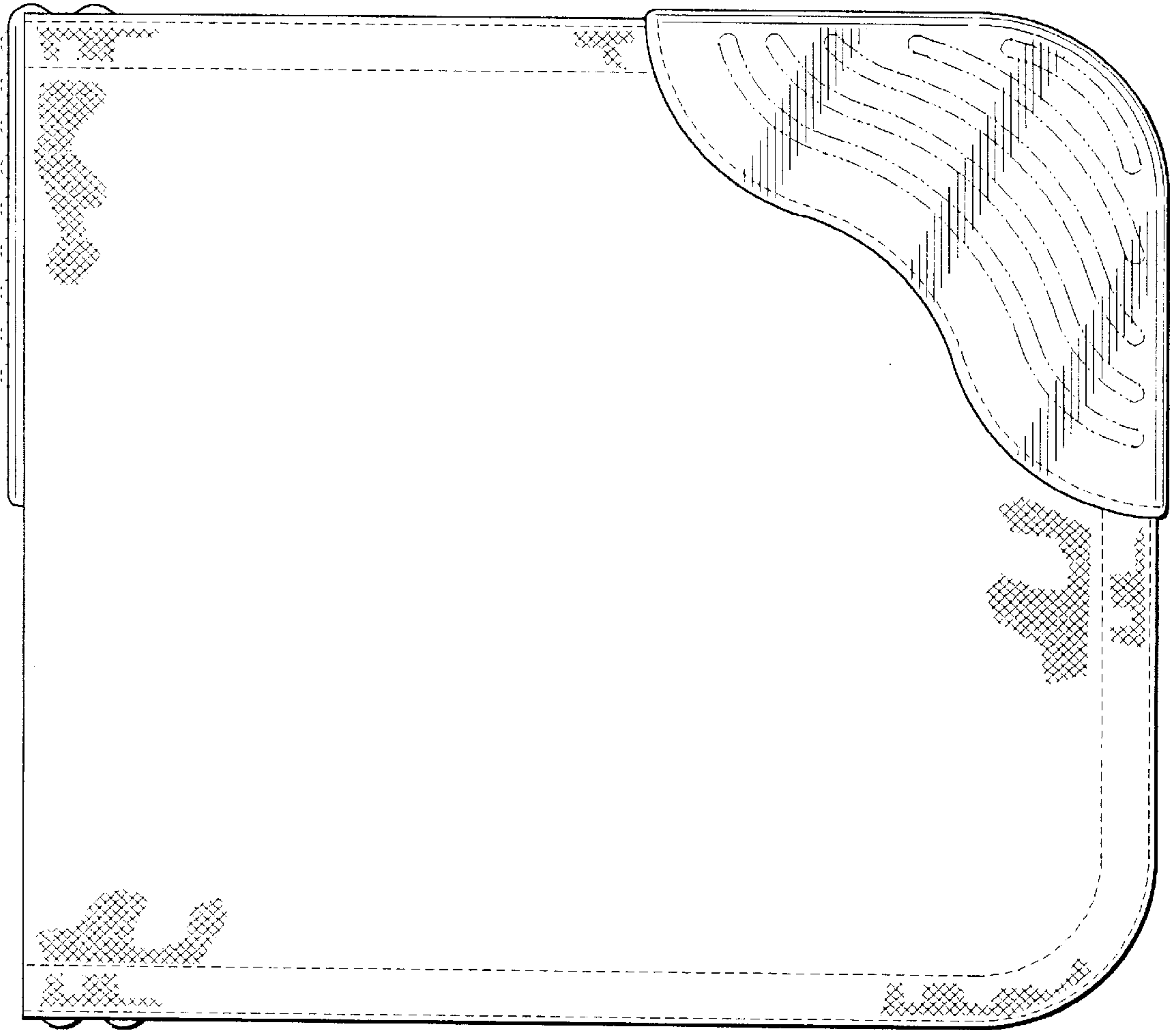


FIG. 5

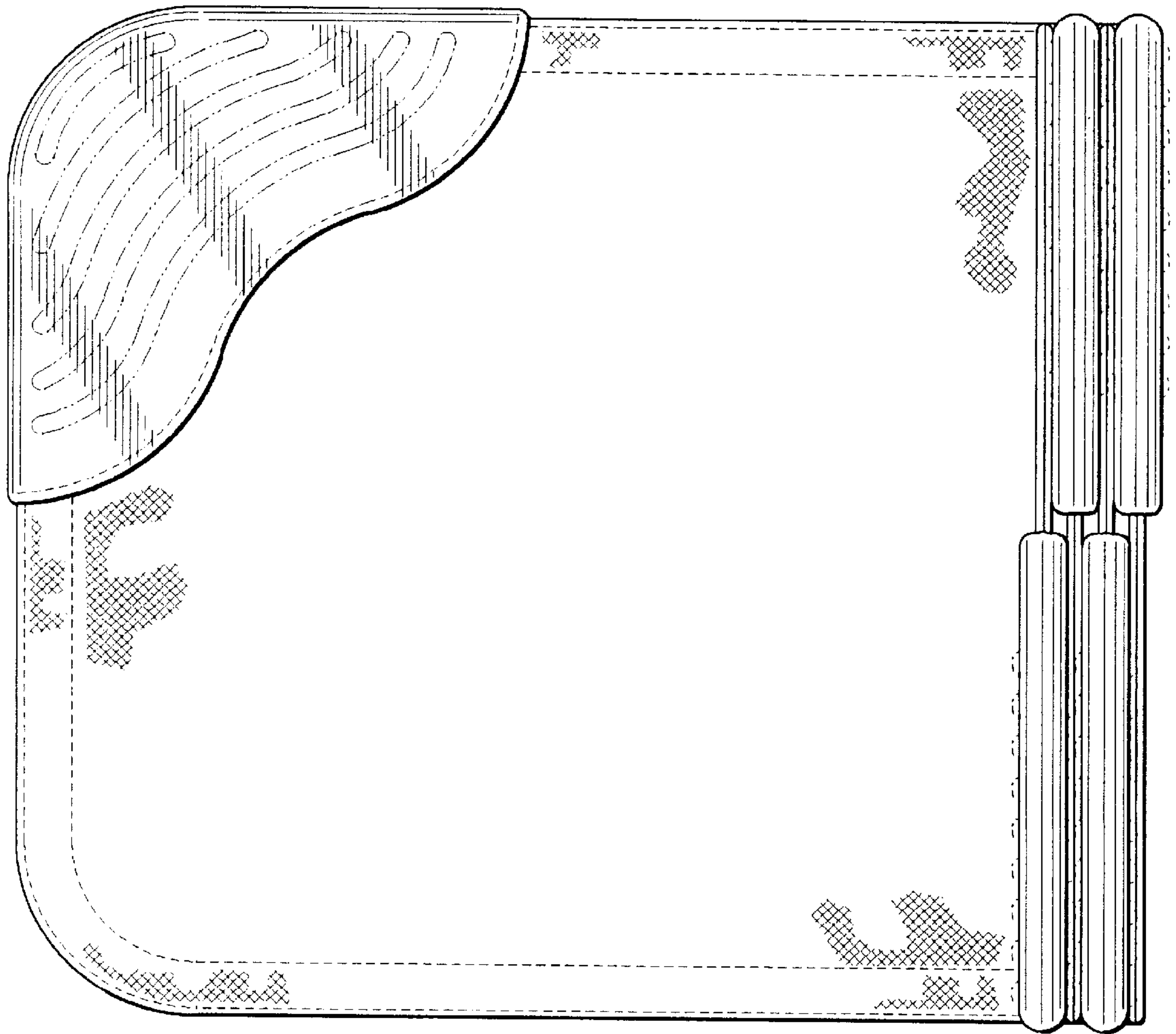


FIG. 6

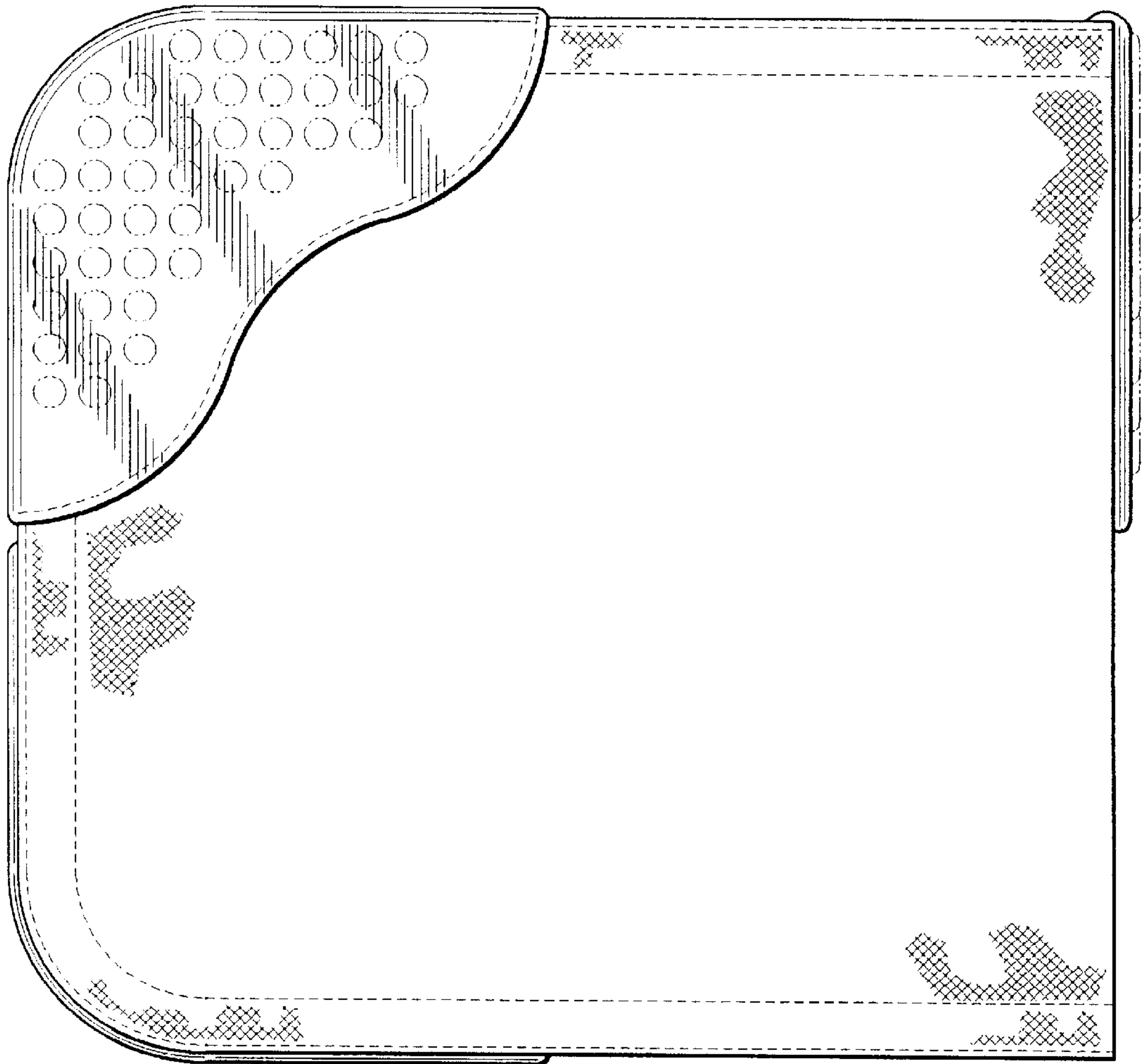


FIG. 7