



US00D434794S

United States Patent [19]

[11] Patent Number: **Des. 434,794**

Bokelman et al.

[45] Date of Patent: **** Dec. 5, 2000**

[54] **PRINTER OUTPUT TRAY EXTENSION**

[57] **CLAIM**

[75] Inventors: **Kevin Bokelman**, La Jolla; **Mark S. McCulloch**, Poway; **Sergio Andres Alvarez**, San Diego, all of Calif.

The ornamental design for a printer output tray extension, as shown and described.

[73] Assignee: **Hewlett-Packard Company**, Palo Alto, Calif.

DESCRIPTION

[**] Term: **14 Years**

FIG. 1 is a front perspective view showing my new design wherein the tray extension is shown in a closed position; FIG. 2 is a rear elevational view thereof; FIG. 3 is a front elevational view thereof; FIG. 4 is a top plan view thereof; FIG. 5 is a bottom plan view thereof; FIG. 6 is a left side elevational view thereof; FIG. 7 is a right side elevational view thereof; FIG. 8 is an illustrative view thereof, showing an element of the tray extension in an extended position; FIG. 9 is a front perspective view showing my new design wherein the tray extension is shown in an opened position; FIG. 10 is a rear elevational view thereof; FIG. 11 is a front elevational view thereof; FIG. 12 is a top plan view thereof; FIG. 13 is a bottom plan view thereof; FIG. 14 is a left side elevational view thereof; FIG. 15 is a right side elevational view thereof; and, FIG. 16 is an illustrative view thereof, showing an element of the tray extension in a closed position. The broken line showing of a printer in FIGS. 1 and 9 is for illustrative purposes only and forms no part of the claimed design.

[21] Appl. No.: **29/118,800**

[22] Filed: **Feb. 16, 2000**

[51] **LOC (7) Cl.** **14-02**

[52] **U.S. Cl.** **D18/56; D18/40; D18/46**

[58] **Field of Search** **D18/36-40, 46-50, D18/54-56; D14/462, 468, 470; 399/361, 393, 405**

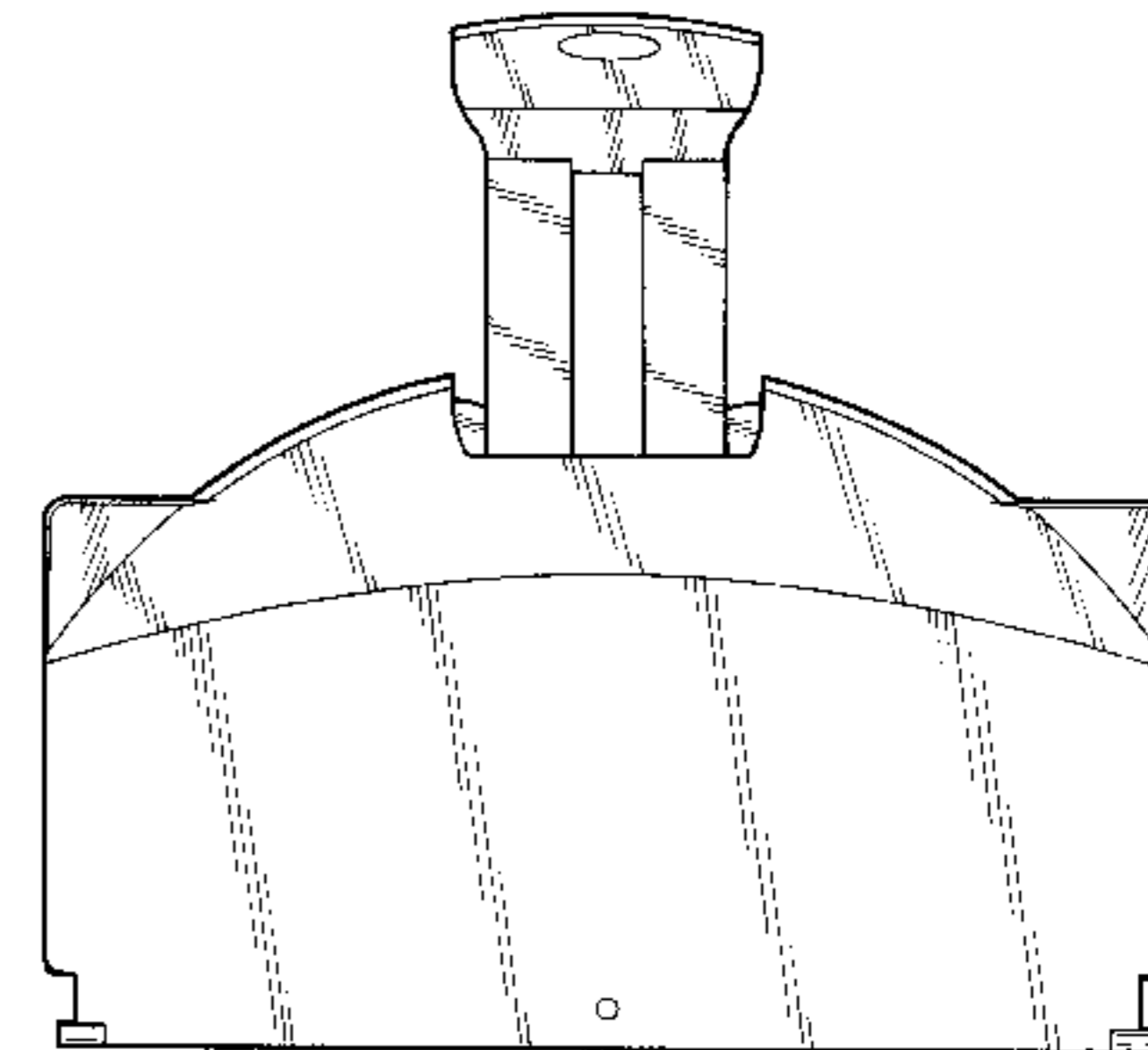
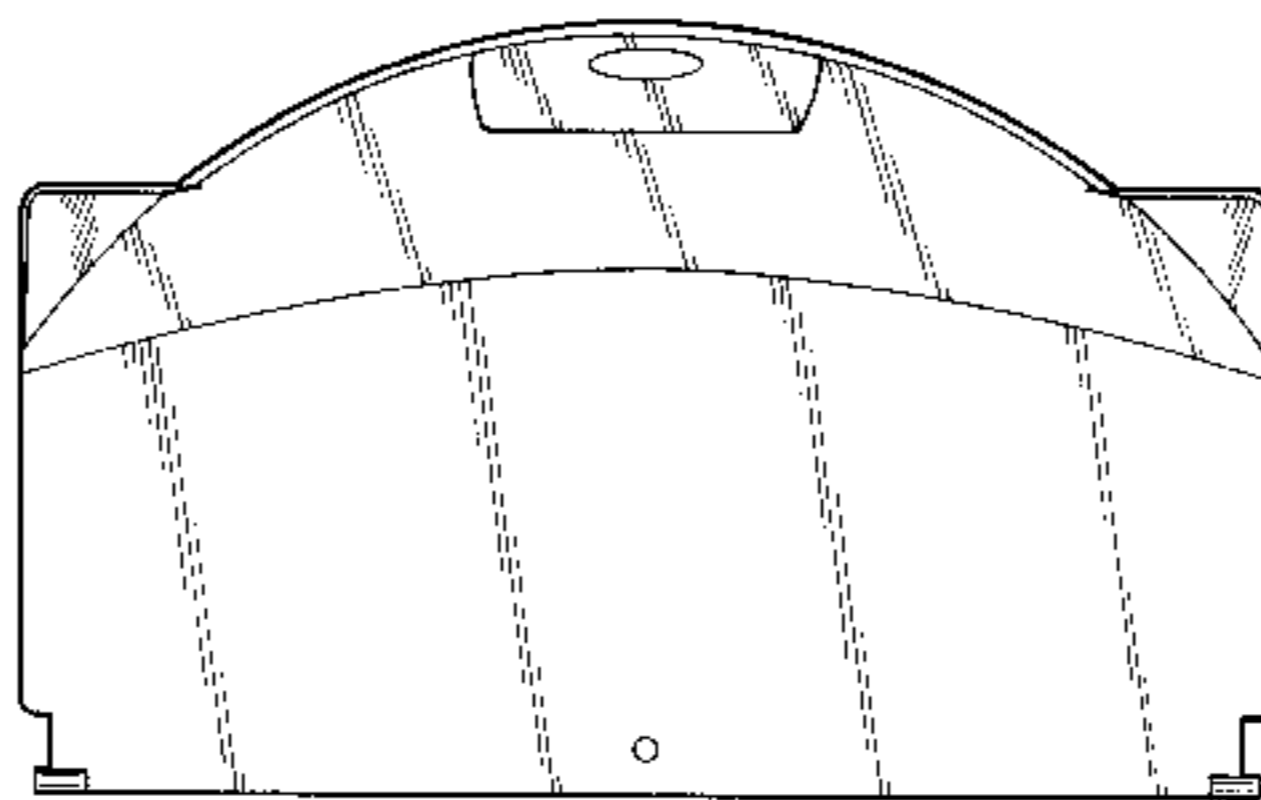
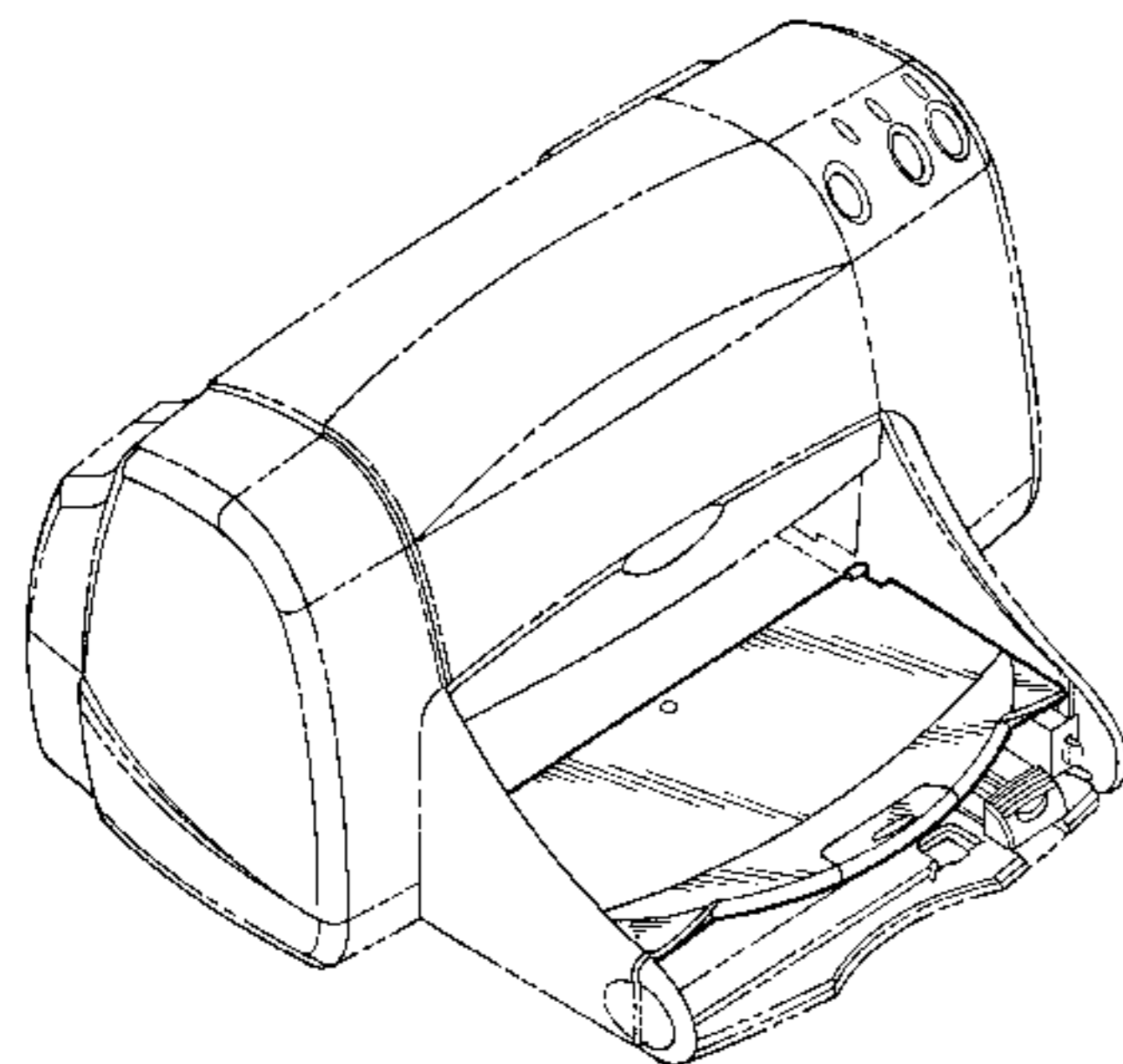
[56] **References Cited**

U.S. PATENT DOCUMENTS

D. 357,273	4/1995	Hocking	D18/49
D. 379,827	6/1997	Andre	D18/54
D. 420,998	2/2000	Leong et al.	D14/422
D. 422,301	4/2000	Short et al.	D18/36
5,887,239	3/1999	Hong et al.	399/405

Primary Examiner—Caron D. Veynar

1 Claim, 5 Drawing Sheets



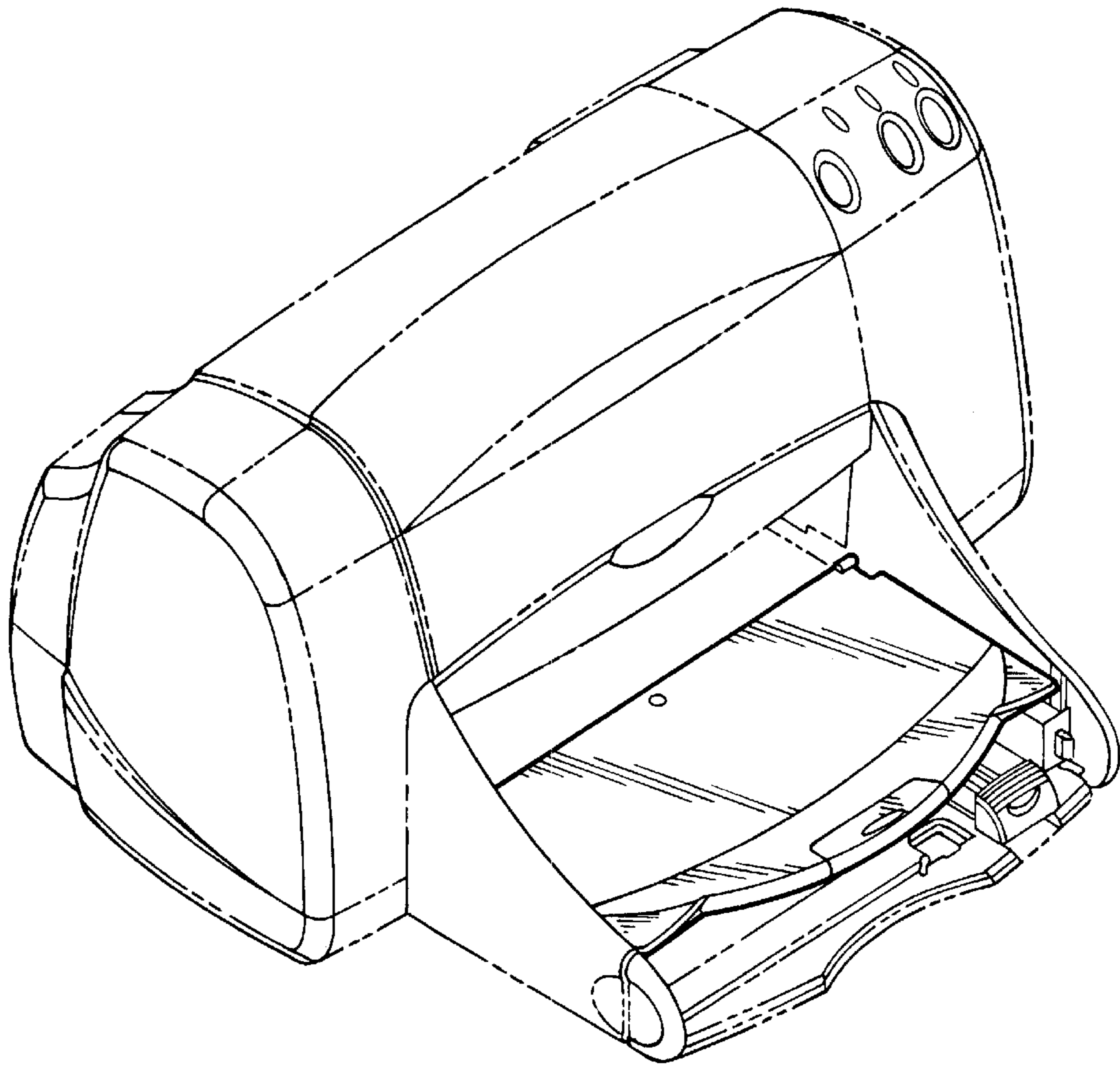


FIG. 1

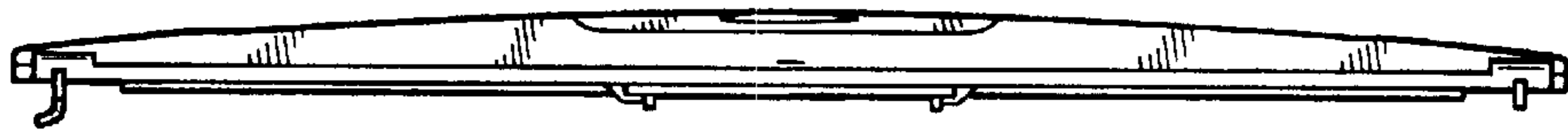


FIG. 2

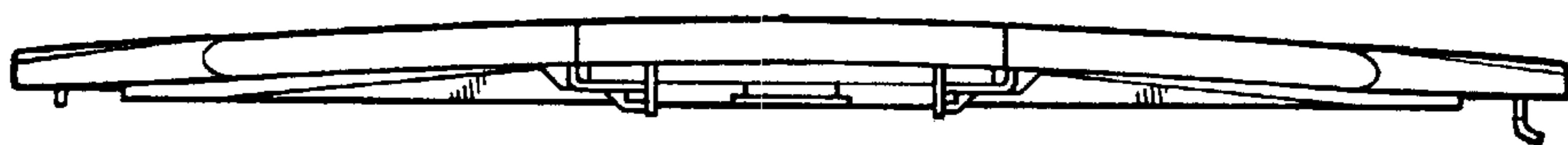


FIG. 3

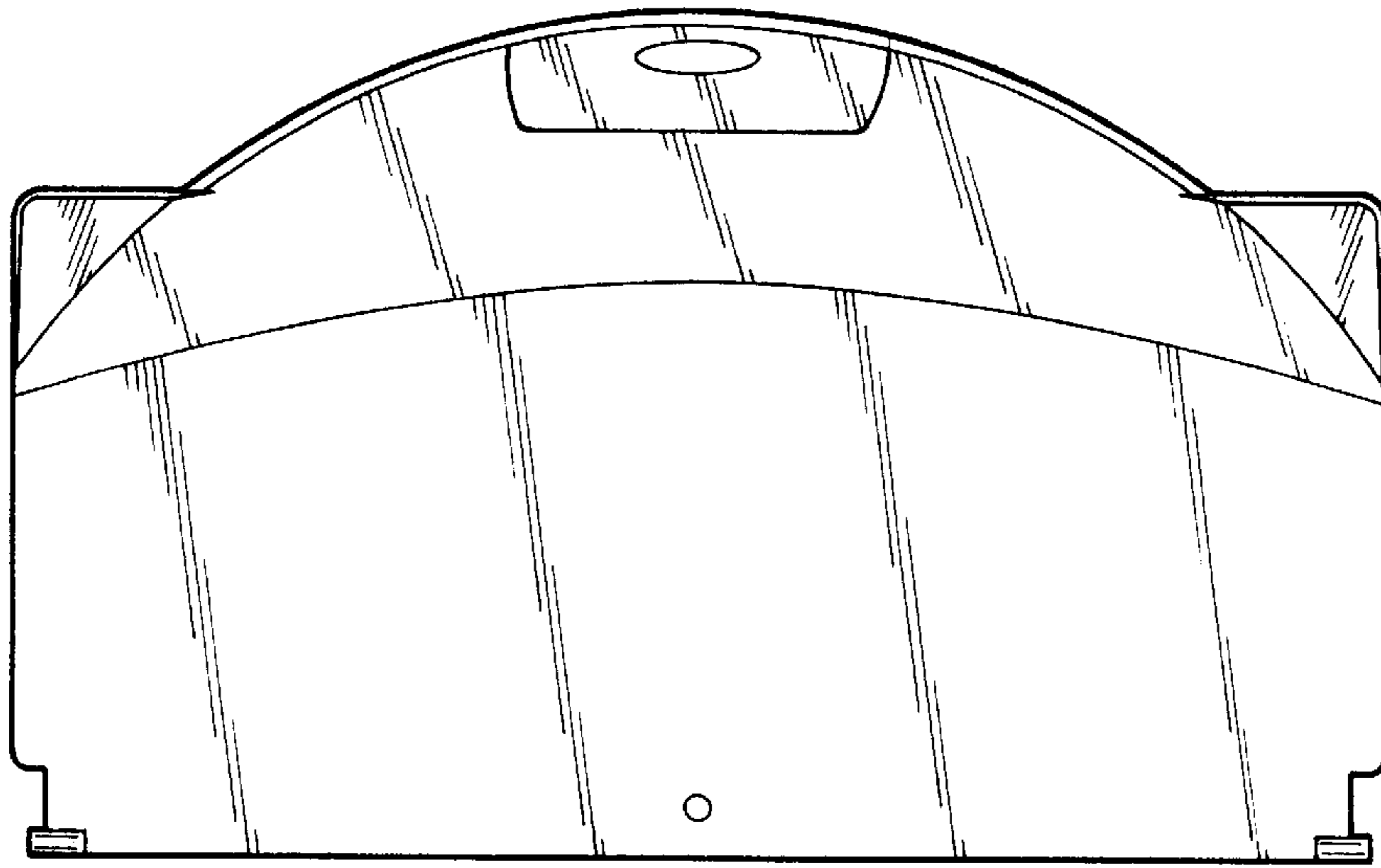


FIG. 4

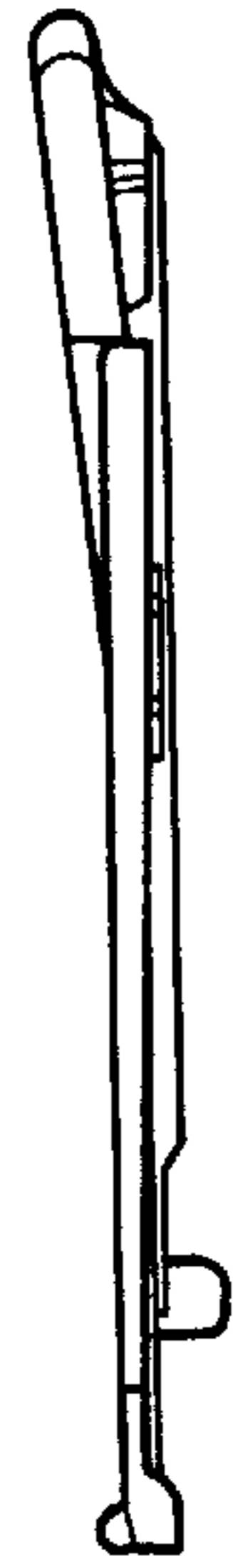


FIG. 6

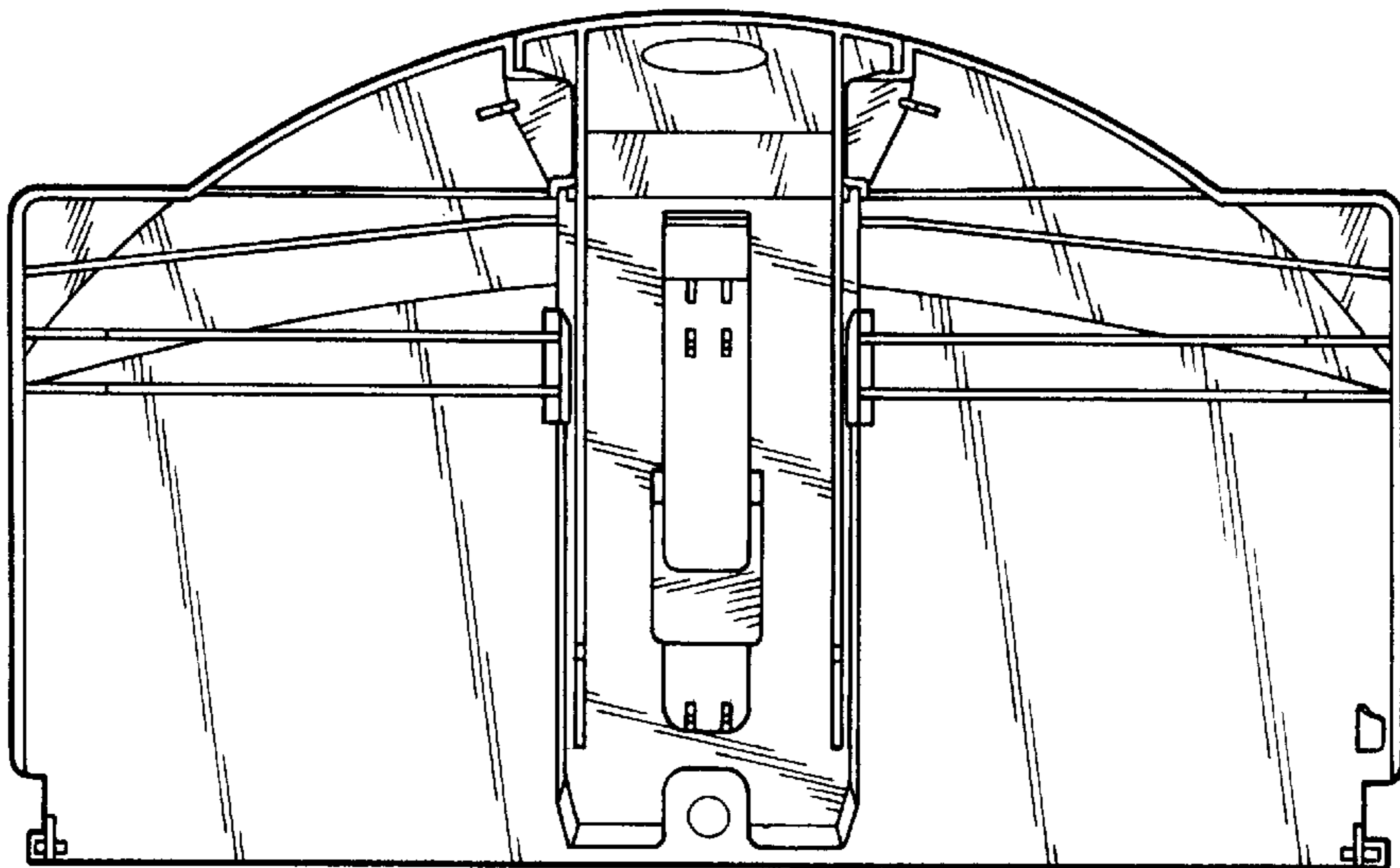


FIG. 5

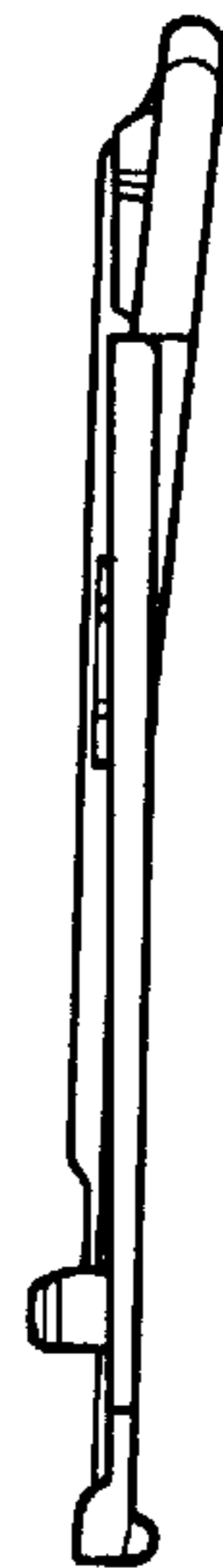


FIG. 7

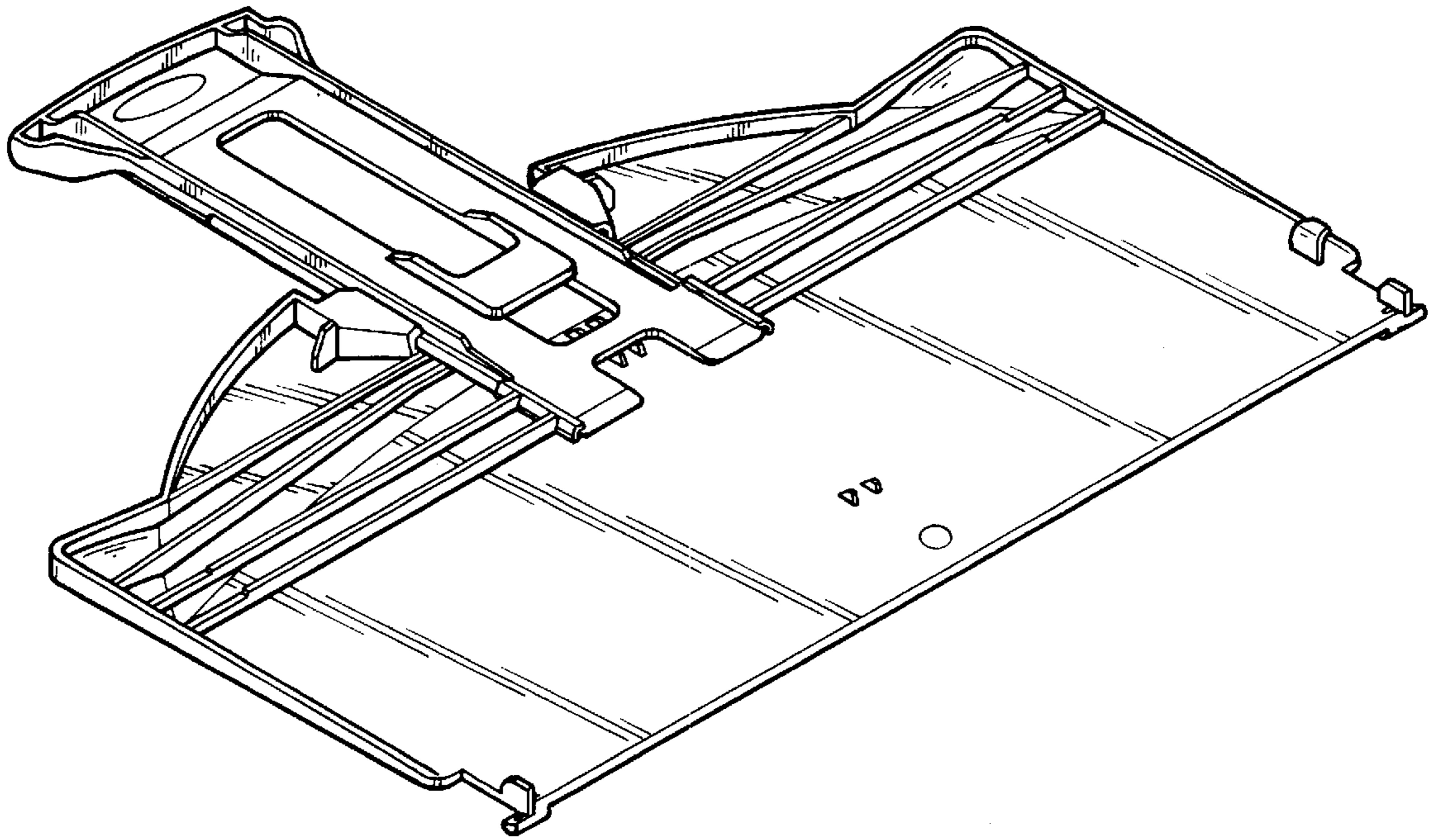


FIG. 8

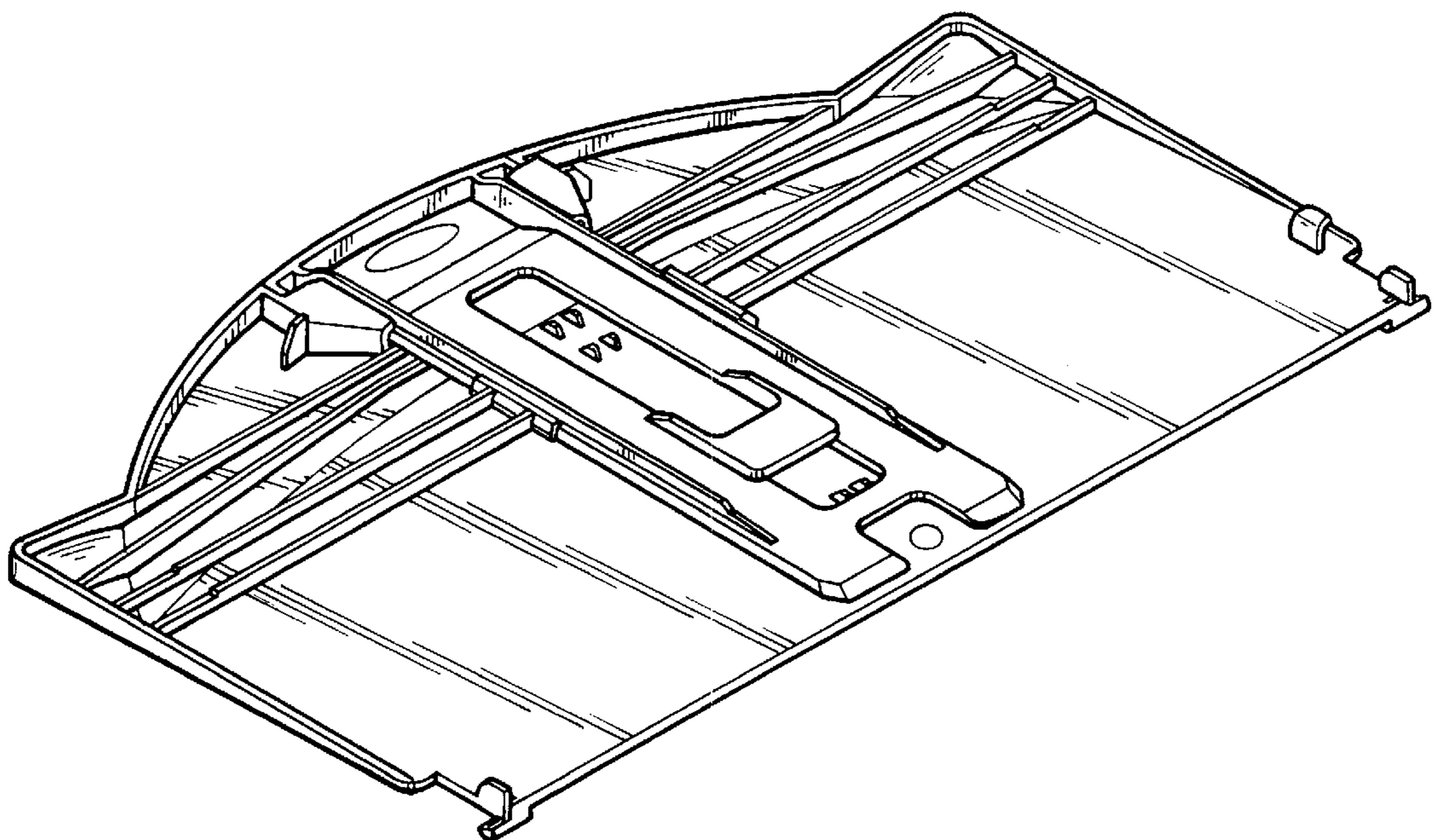


FIG. 16

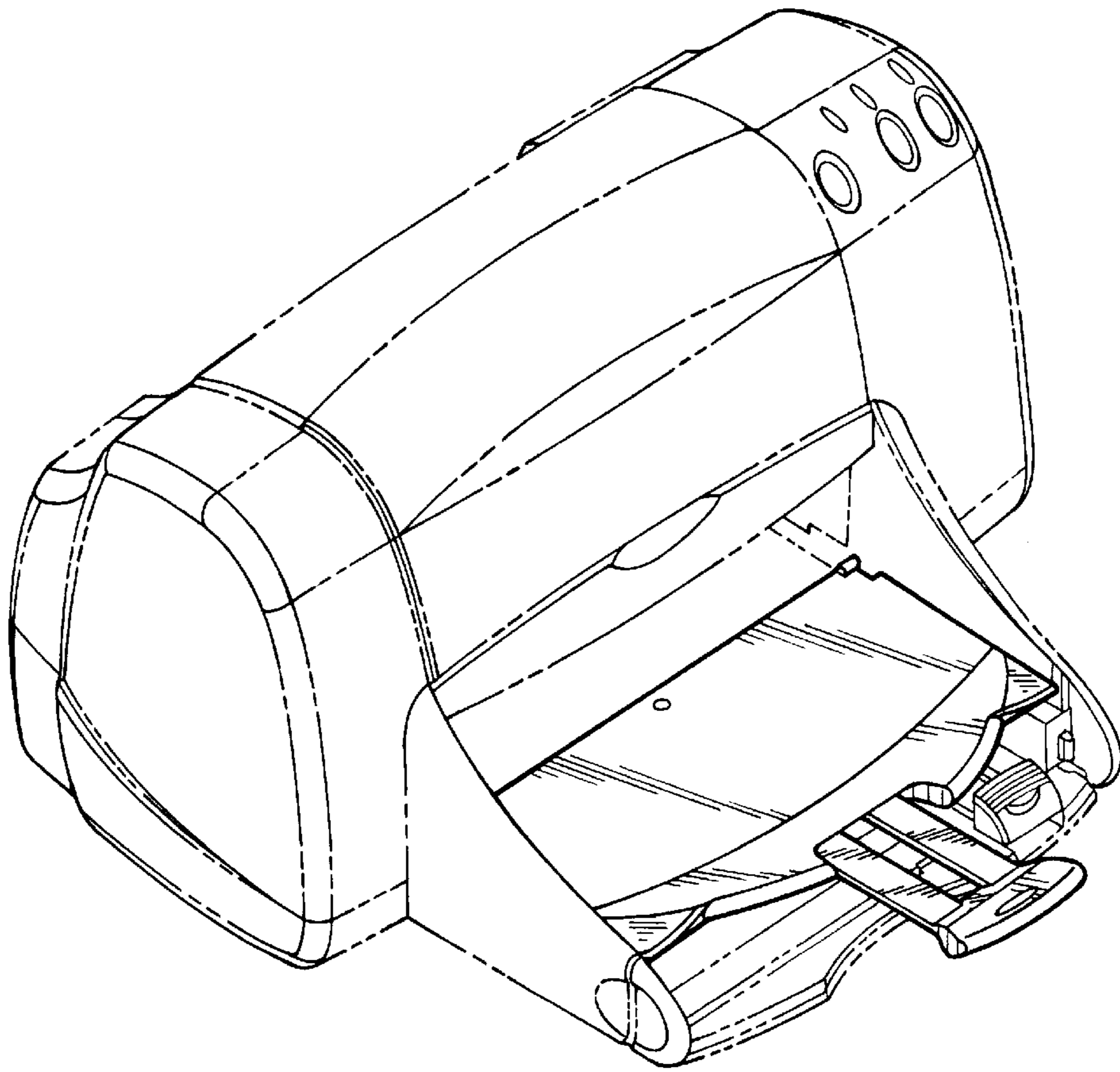


FIG. 9

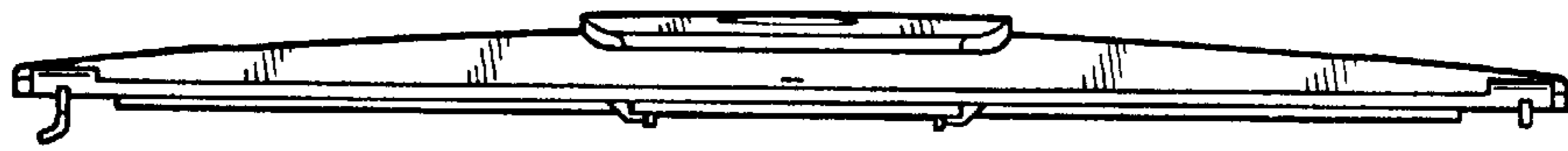


FIG. 10

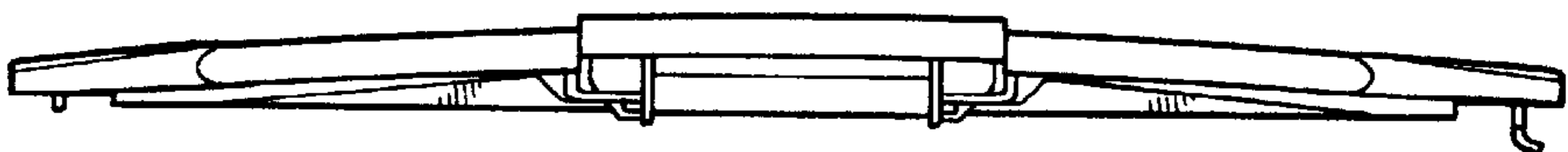


FIG. 11

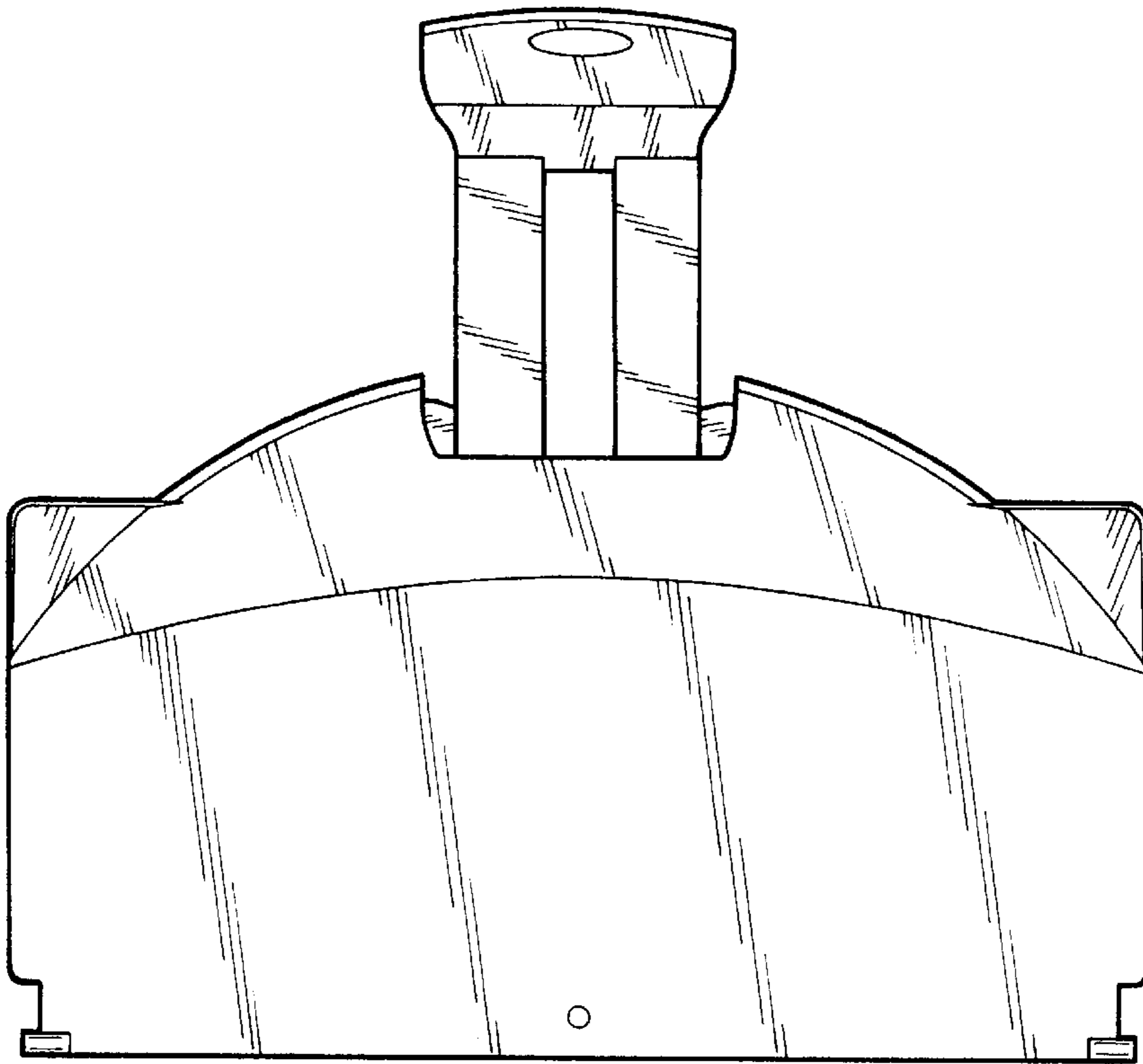


FIG. 12

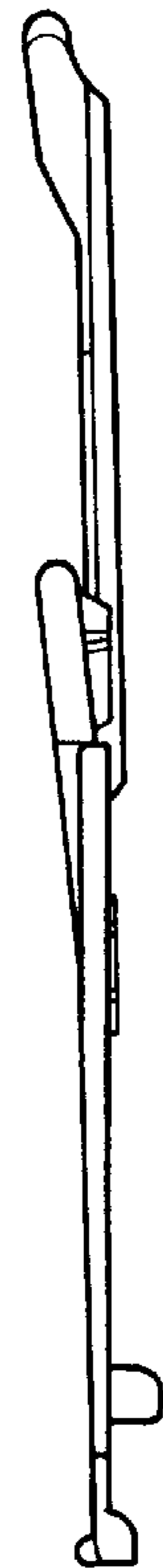


FIG. 14

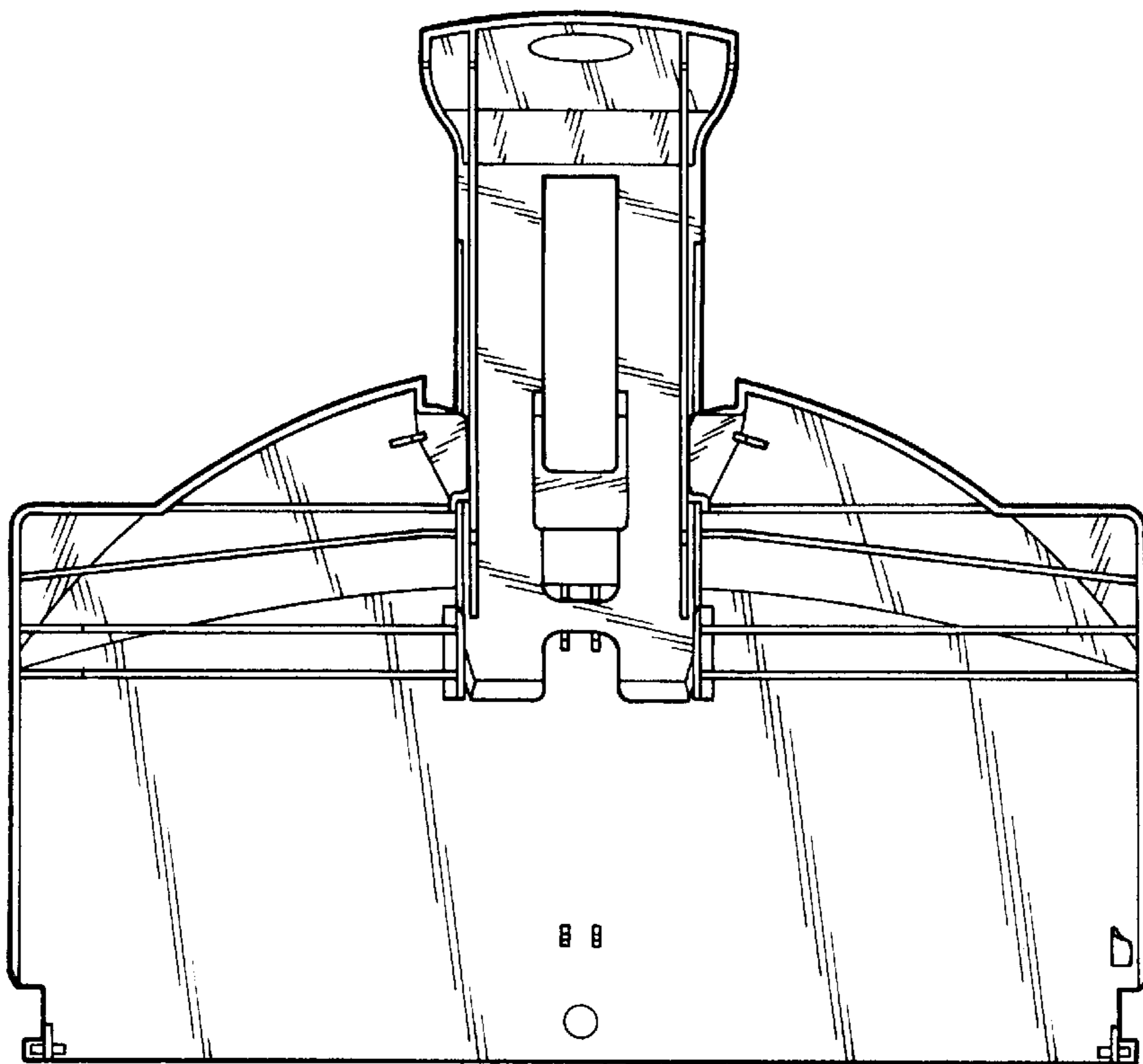


FIG. 13



FIG. 15