



US00D434793S

United States Patent [19]

Chiba et al.

[11] Patent Number: **Des. 434,793**

[45] Date of Patent: **** Dec. 5, 2000**

[54] **PLATE FOR COMPUTER PRINTER**

[75] Inventors: **Toshimi Chiba; Tetsuya Sekine**, both of Yokohama; **Hitomi Ito**, Tokyo; **Manabu Inoue**, Ootsu; **Hisakazu Shimizu**, Tokyo, all of Japan

[73] Assignee: **Canon Kabushiki Kaisha**, Tokyo, Japan

[**] Term: **14 Years**

[21] Appl. No.: **29/111,973**

[22] Filed: **Oct. 8, 1999**

[30] **Foreign Application Priority Data**

Apr. 12, 1999 [JP] Japan 11-9488

[51] **LOC (7) Cl.** **18-02**

[52] **U.S. Cl.** **D18/56; D18/50**

[58] **Field of Search** D18/50, 54-55, D18/36-39, 56; D14/462; 400/613, 613.1-613.4, 691-694, 690.1-690.4

[56] **References Cited**

U.S. PATENT DOCUMENTS

- D. 322,982 1/1992 Tashiro D18/54
- D. 331,925 12/1992 Sawada et al. D14/462

- D. 334,208 3/1993 Barbookles, Jr. et al. D18/50
- D. 356,818 3/1995 Sekine et al. D18/55
- D. 364,389 11/1995 Shimizu D18/56
- D. 389,178 1/1998 Chow et al. D18/50
- D. 400,571 11/1998 Shimizu D18/54
- D. 405,107 2/1999 Yokokawa D18/50
- D. 409,584 5/1999 Fetherolf D18/54
- D. 421,455 3/2000 Kobayashi et al. D18/54
- D. 422,570 4/2000 Kobayashi D18/54
- D. 424,104 5/2000 Rorke et al. D18/56
- D. 425,547 5/2000 Ishiura D18/50

Primary Examiner—Cathy Anne MacCormac
Attorney, Agent, or Firm—Fitzpatrick, Cella, Harper & Scinto

[57] **CLAIM**

The ornamental design for a plate for computer printer, as shown and described.

DESCRIPTION

FIG. 1 is a front view of a plate for computer printer showing our new design; FIG. 2 is a top plan view thereof; and, FIG. 3 is an enlarged partial view thereof. The broken lines are for purposes of illustration only and form no part of the claimed design.

1 Claim, 3 Drawing Sheets

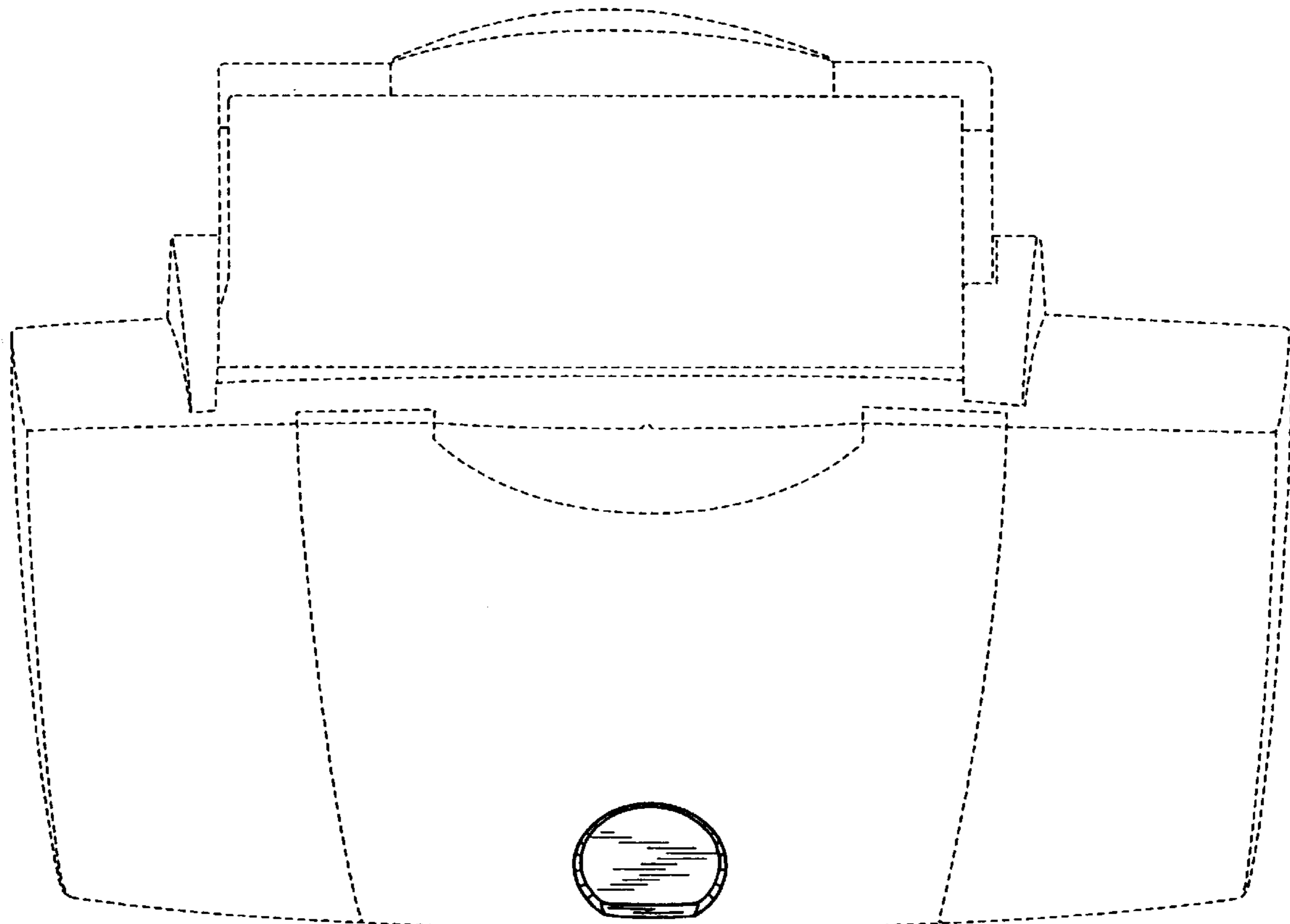


FIG. 1

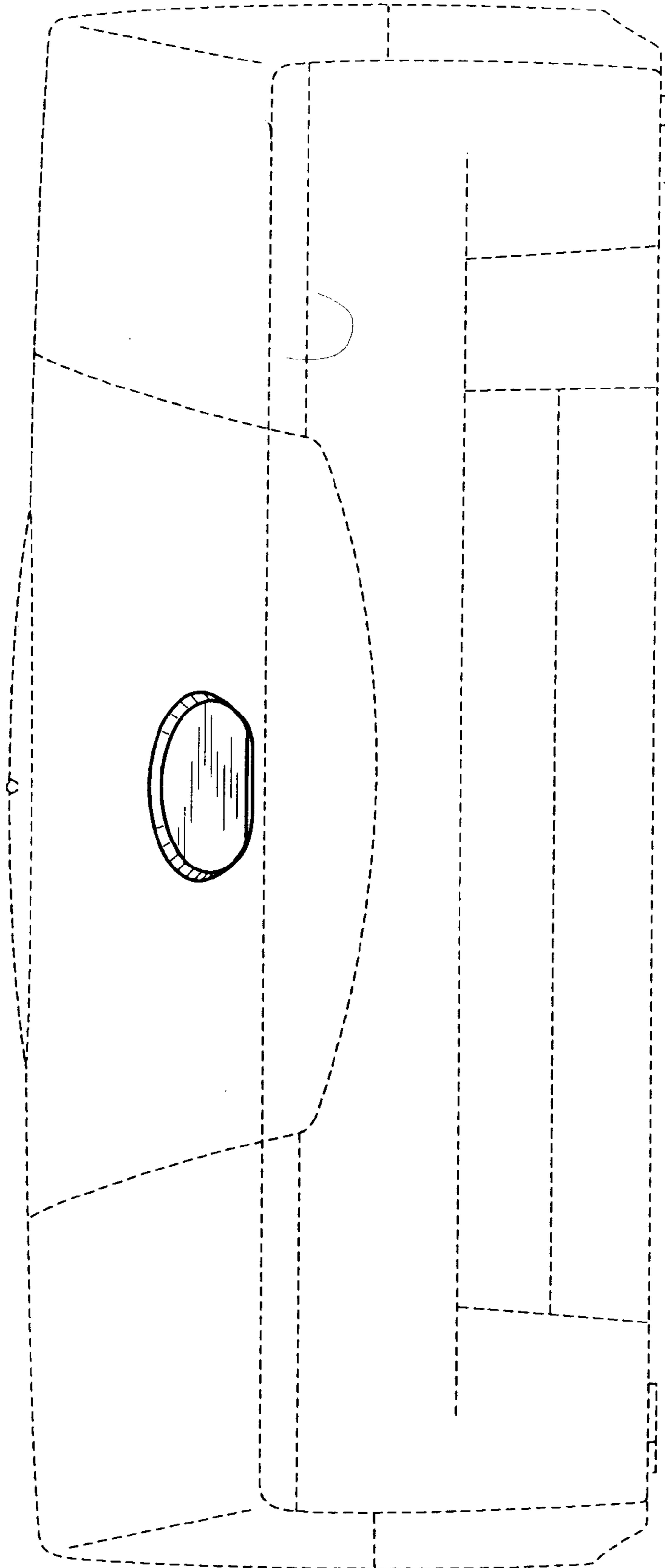


FIG. 2

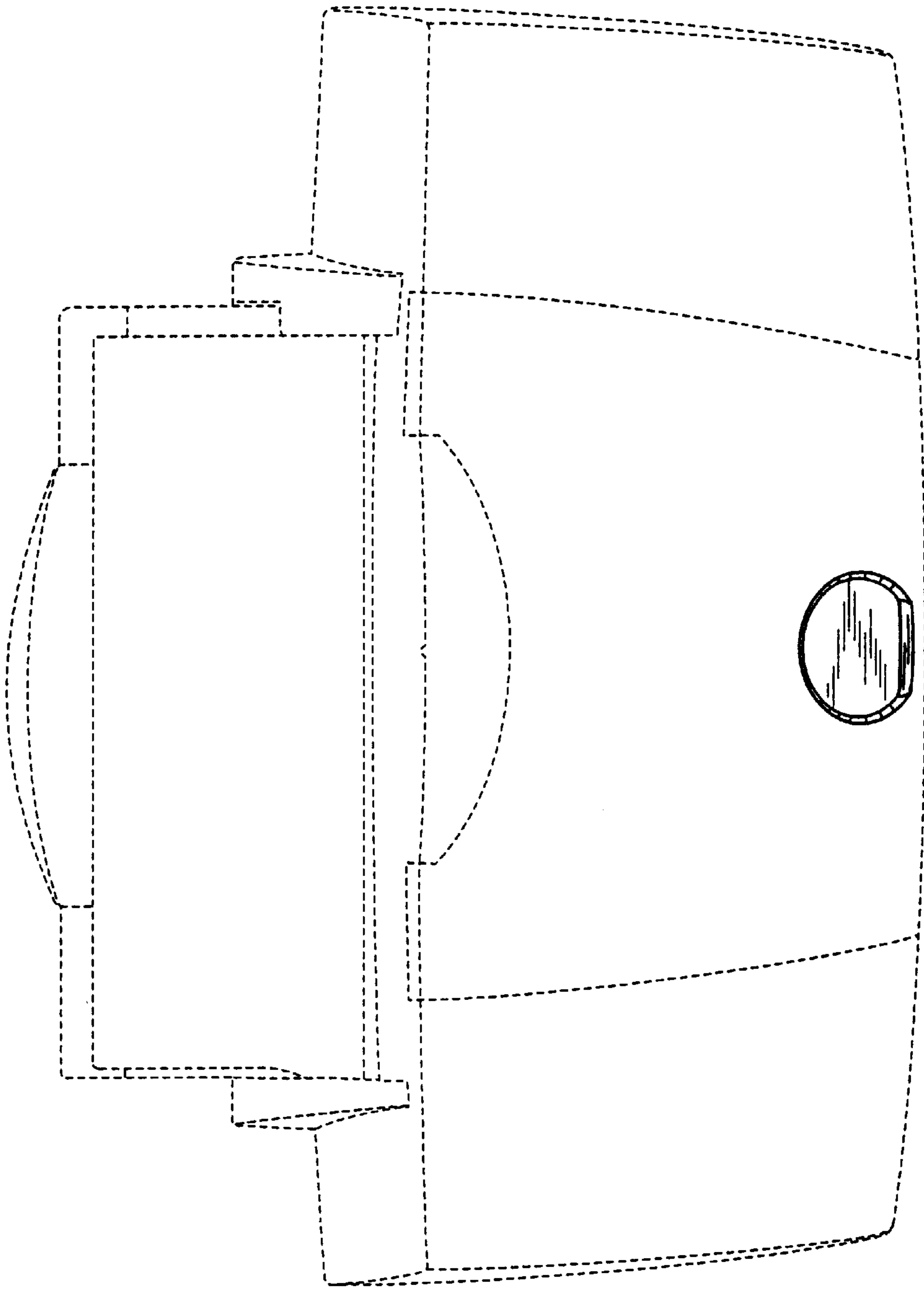


FIG. 3

