



US00D434792S

United States Patent [19] C'DeBaca

[11] **Patent Number: Des. 434,792**

[45] **Date of Patent: ** Dec. 5, 2000**

[54] **PRINTER CARTRIDGE PLATE**

D. 385,576 10/1997 Busby et al. D18/43
4,961,088 10/1990 Gilliland et al. 399/25

[75] Inventor: **Charles C'DeBaca**, Fairfax, Va.

Primary Examiner—Caron D. Veynar

[73] Assignee: **CSR, Industries**, Springfield, Va.

Attorney, Agent, or Firm—Burns, Doane, Swecker & Mathis, L.L.P.

[**] Term: **14 Years**

[21] Appl. No.: **29/115,082**

[22] Filed: **Dec. 8, 1999**

[57] **CLAIM**

The ornamental design for a printer cartridge plate, as shown and described.

[51] **LOC (7) Cl.** **16-03**

DESCRIPTION

[52] **U.S. Cl.** **D18/43; D18/40**

FIG. 1 is a rear elevational view of a “printer cartridge plate” showing my design, the front view being a mirror image thereof;

[58] **Field of Search** D18/36, 40, 43,
D18/56; 399/24, 25, 27, 28, 31, 110, 111,
119, 130, 134, 252, 262; 222/DIG. 1

FIG. 2 is a top rear perspective view thereof;

FIG. 3 is a bottom rear perspective view thereof;

FIG. 4 is a right side elevational view thereof; and,

FIG. 5 is a left side elevational view thereof.

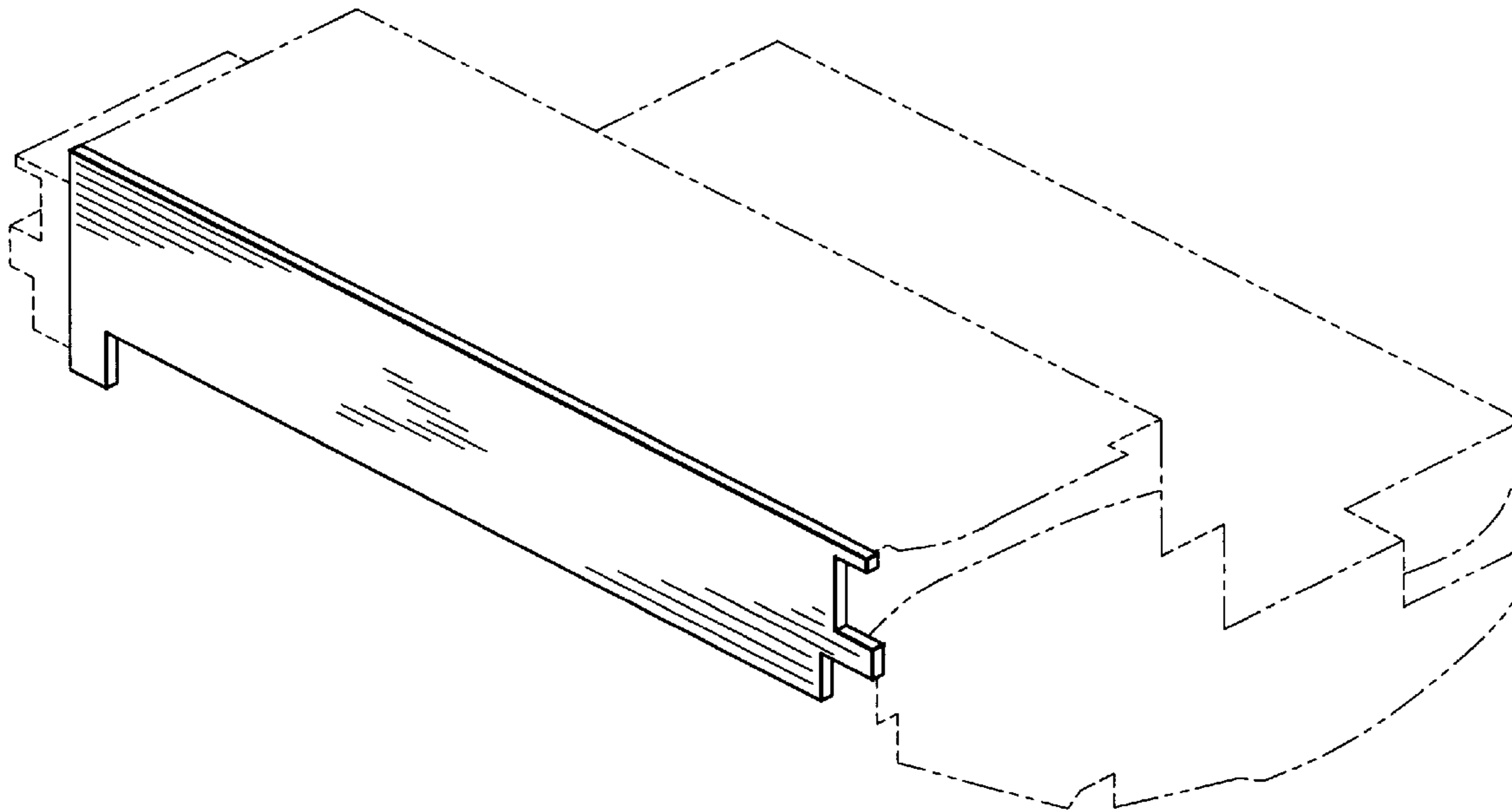
[56] **References Cited**

The broken line depiction of a printer cartridge in FIGS. 1–5 is for illustrative purposes only, and forms no part of the claimed design.

U.S. PATENT DOCUMENTS

- D. 253,810 1/1980 Stone D9/224
- D. 309,323 7/1990 Craft et al. D18/40
- D. 356,812 3/1995 Chiba D18/43
- D. 359,067 6/1995 Komaki et al. D18/43

1 Claim, 2 Drawing Sheets



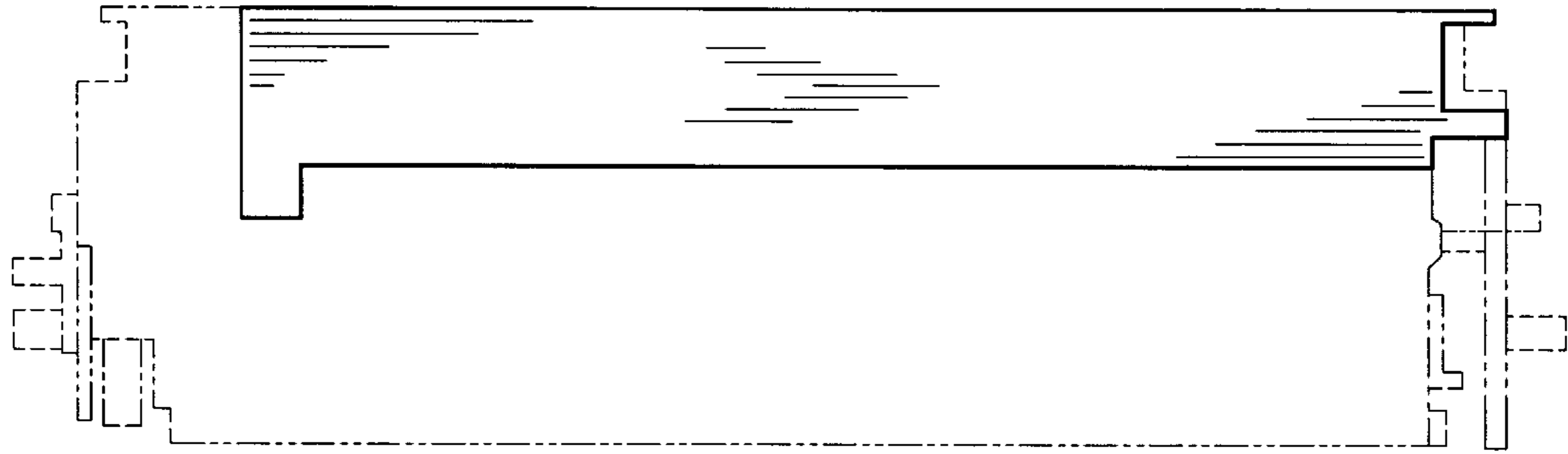


FIG. 1

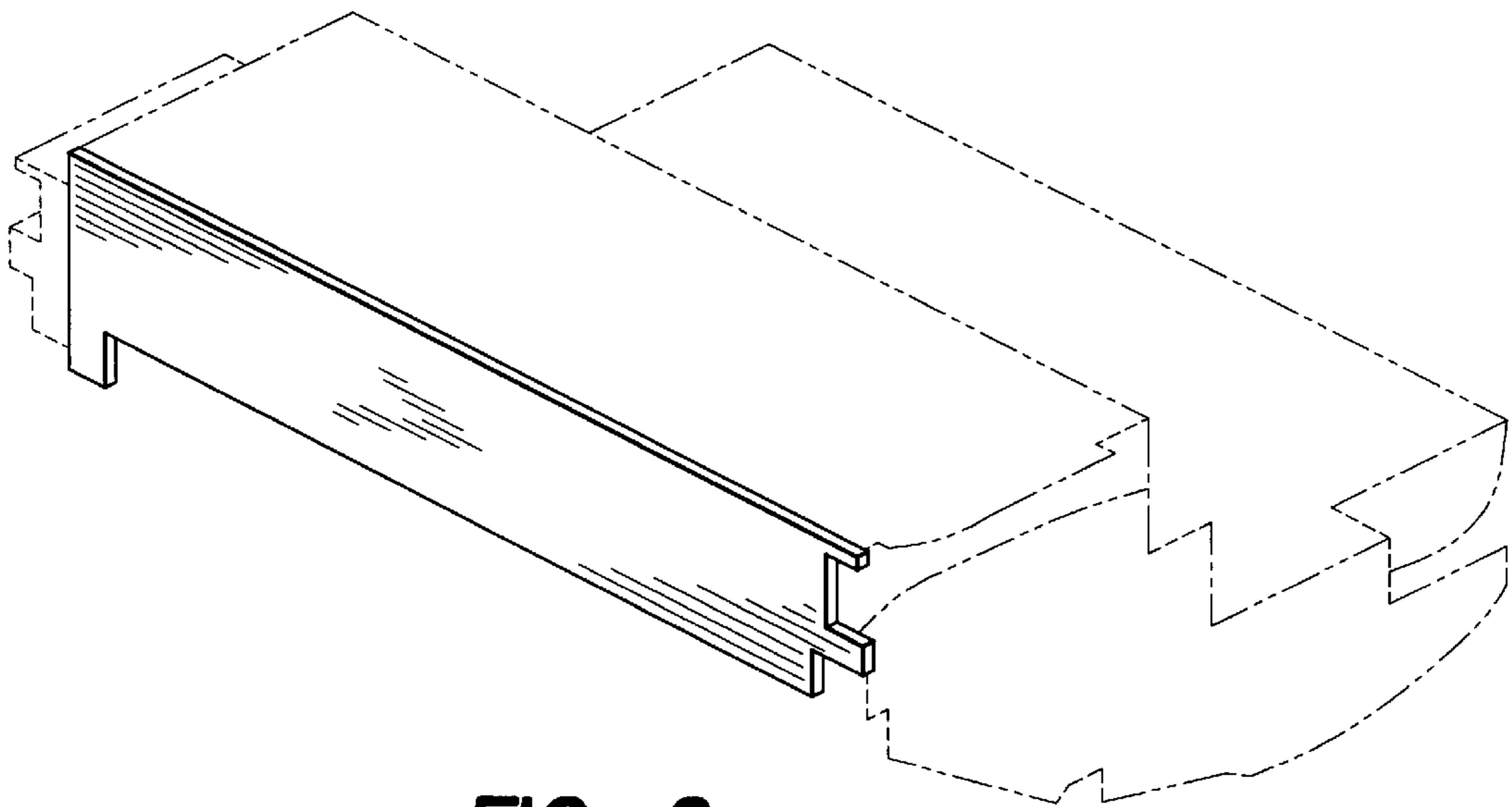


FIG. 2

