



US00D434786S

**United States Patent** [19]  
**Chin**

[11] **Patent Number: Des. 434,786**

[45] **Date of Patent: \*\* Dec. 5, 2000**

[54] **CAMERA**

4,943,822 7/1990 Braunhut ..... 396/373  
5,258,793 11/1993 Tsuji et al. .... 396/536  
5,519,466 5/1996 Arai ..... 396/106

[75] Inventor: **Byung-Wook Chin**, Seoul, Rep. of Korea

*Primary Examiner*—Adir Aronovich  
*Attorney, Agent, or Firm*—Christie, Parker & Hale, LLP

[73] Assignee: **Samsung Aerospace Industries Ltd.**,  
Changwon, Rep. of Korea

[57] **CLAIM**

[\*\*] Term: **14 Years**

The ornamental design for camera, as shown and described.

[21] Appl. No.: **29/112,057**

**DESCRIPTION**

[22] Filed: **Sep. 16, 1999**

FIG. 1 is a front elevational view of the design for a camera;  
FIG. 2 is a rear elevational view of the design of FIG. 1;  
FIG. 3 is a top plan view of the design of FIG. 1;  
FIG. 4 is a bottom plan view of the design of FIG. 1;  
FIG. 5 is a left side elevational view of the design of FIG. 1;  
FIG. 6 is a right side elevational view of the design of FIG. 1;  
and,  
FIG. 7 is a top, front, right side perspective view of the design of FIG. 1.

[51] **LOC (7) Cl.** ..... **16-01**

[52] **U.S. Cl.** ..... **D16/209**

[58] **Field of Search** ..... D16/200–205,  
D16/208, 209, 216–218; 396/535–541

[56] **References Cited**

**U.S. PATENT DOCUMENTS**

D. 385,569 10/1997 Takimura ..... D16/202  
D. 403,341 12/1998 Chin et al. .... D16/209  
D. 411,851 7/1999 Song ..... D16/209

**1 Claim, 4 Drawing Sheets**

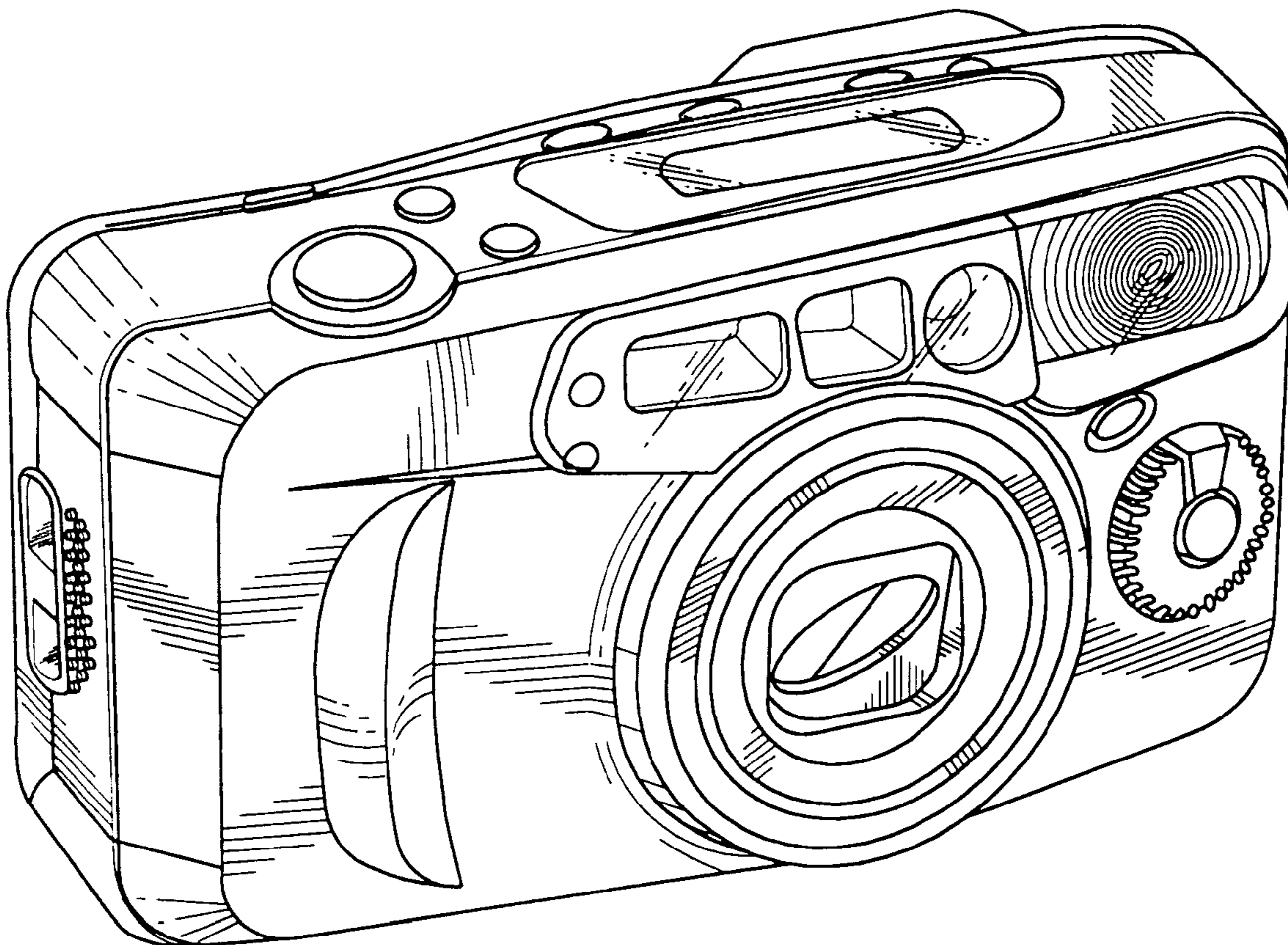


FIG .1

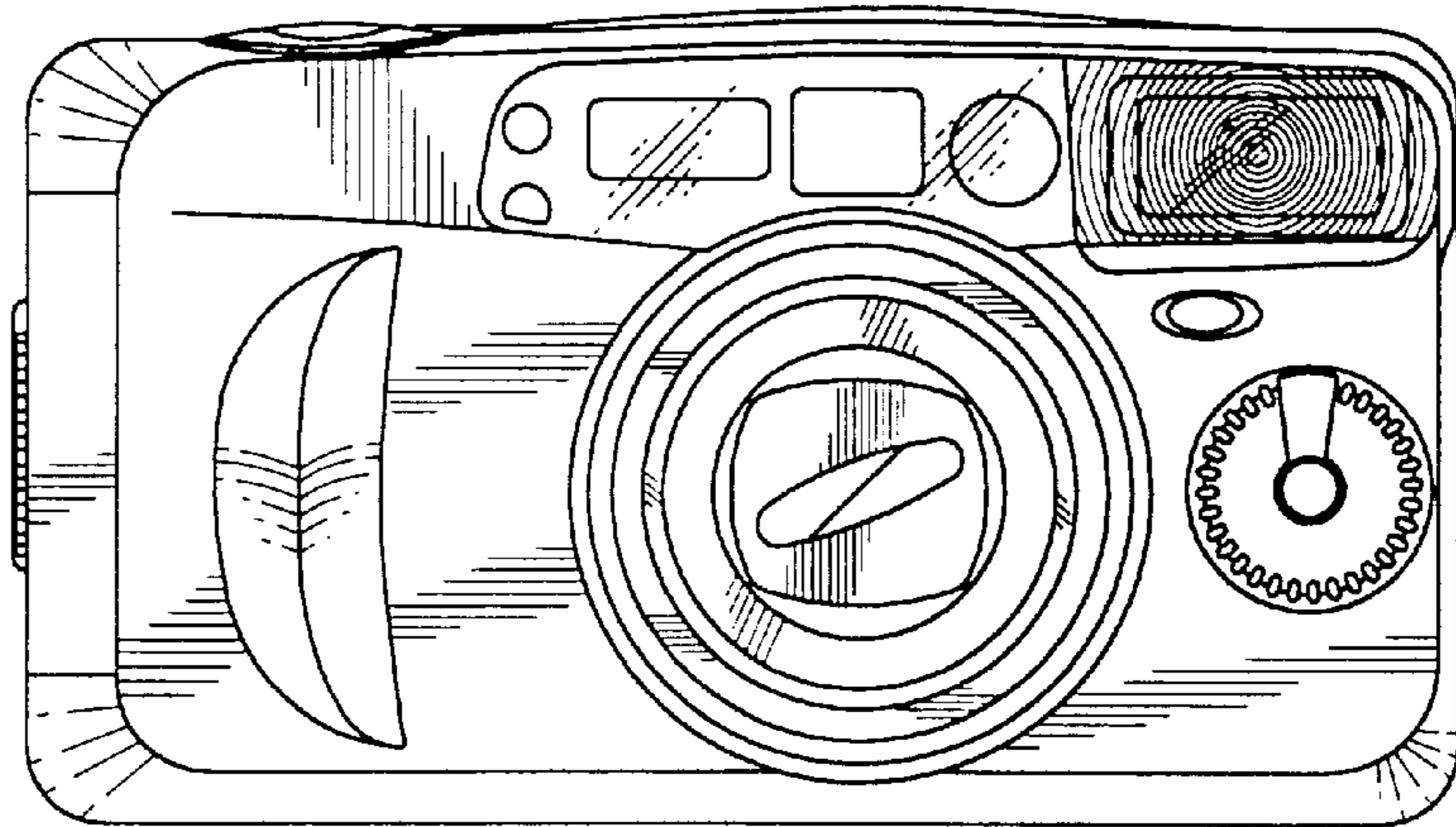


FIG .2

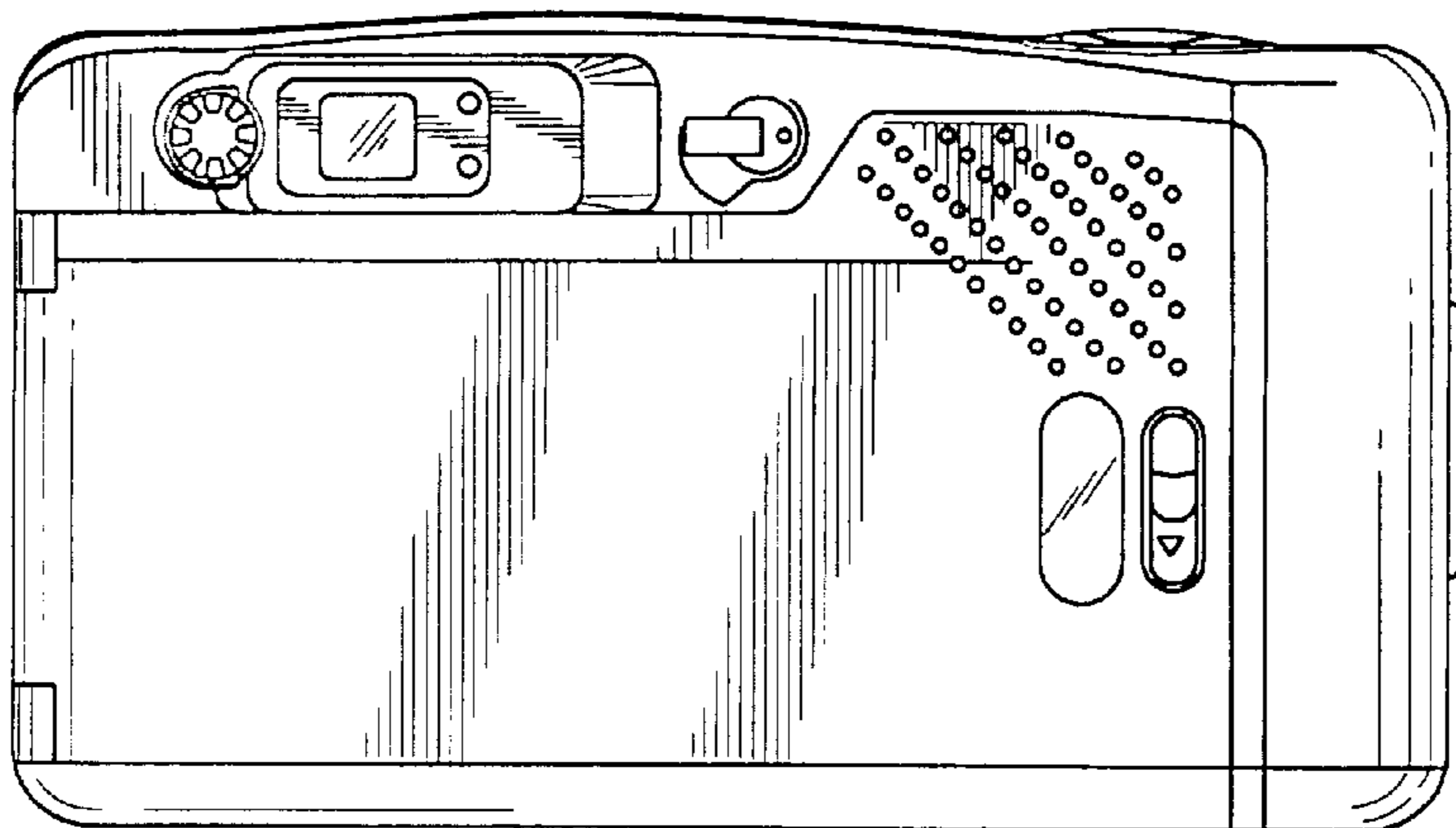


FIG .3

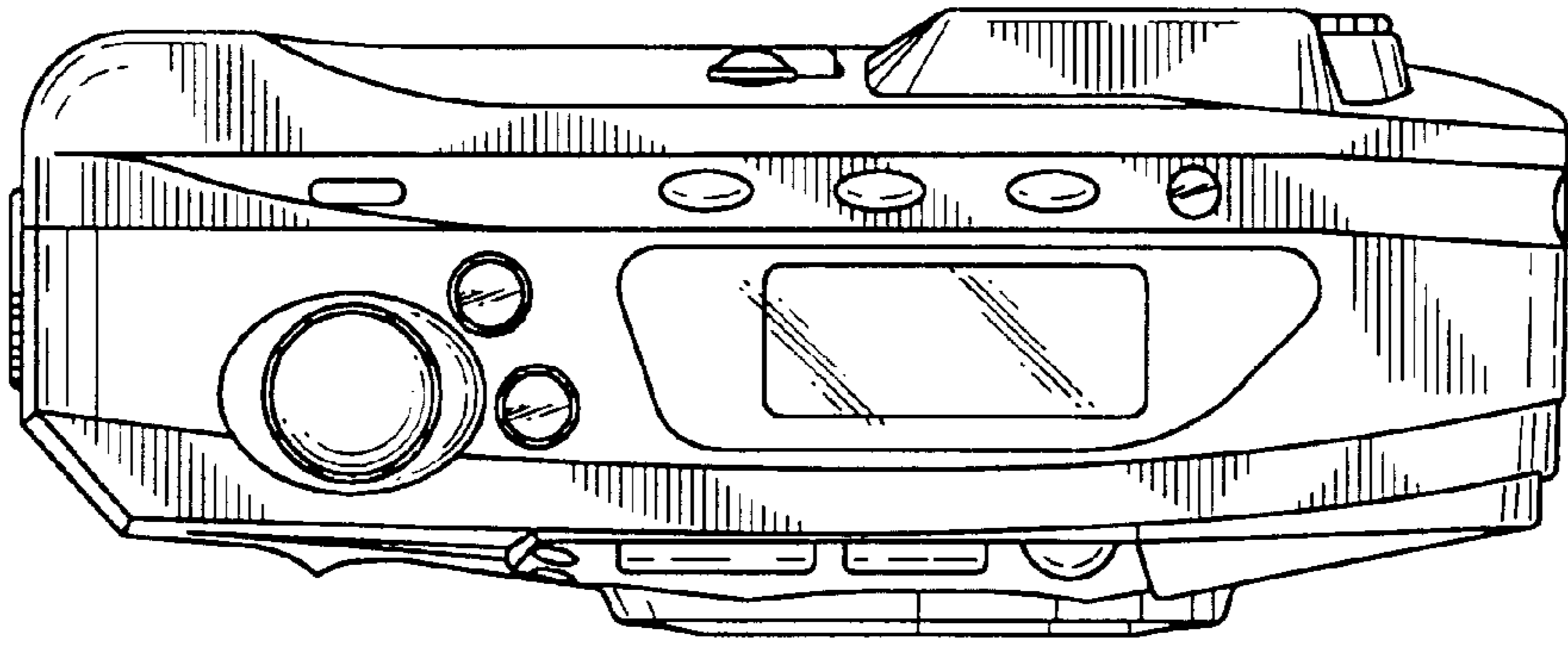


FIG .4

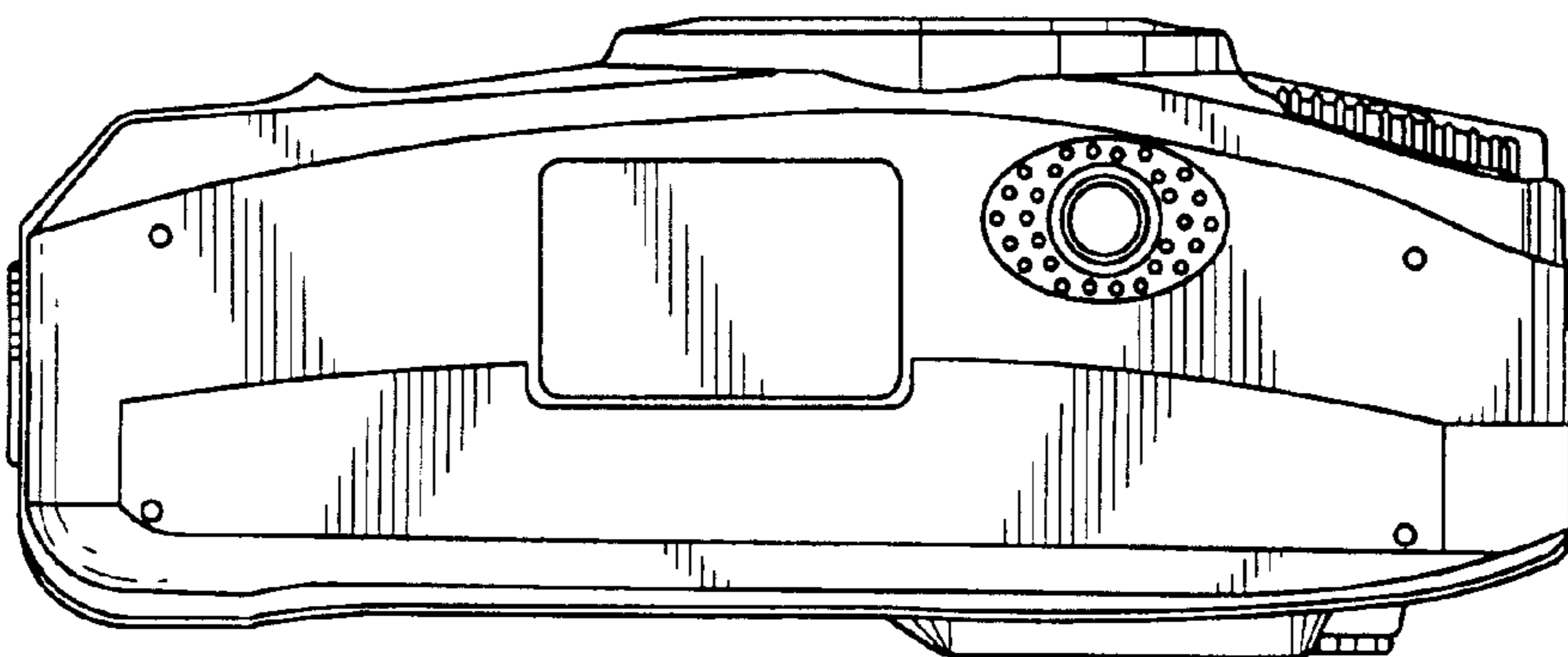


FIG .5

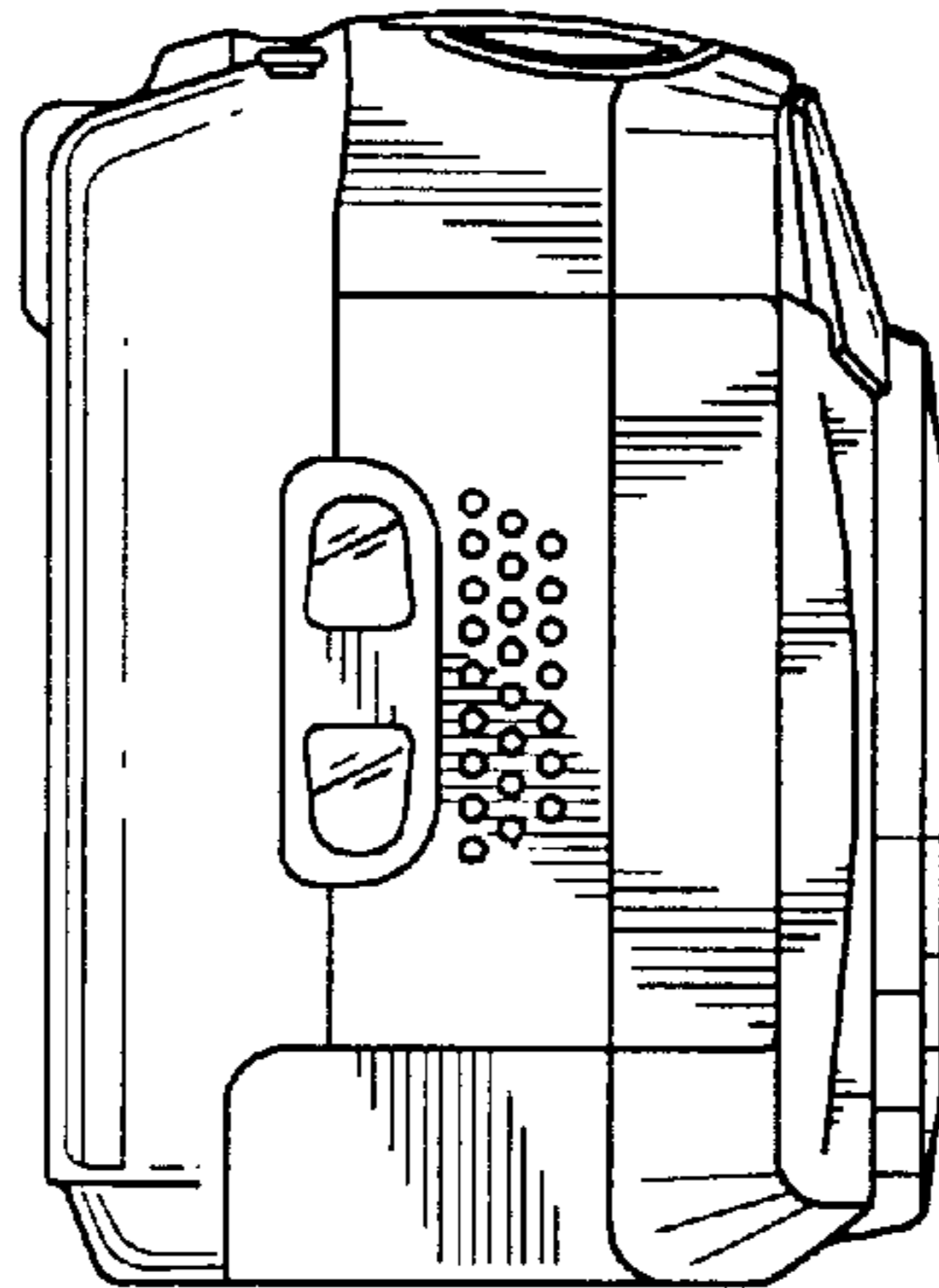


FIG .6

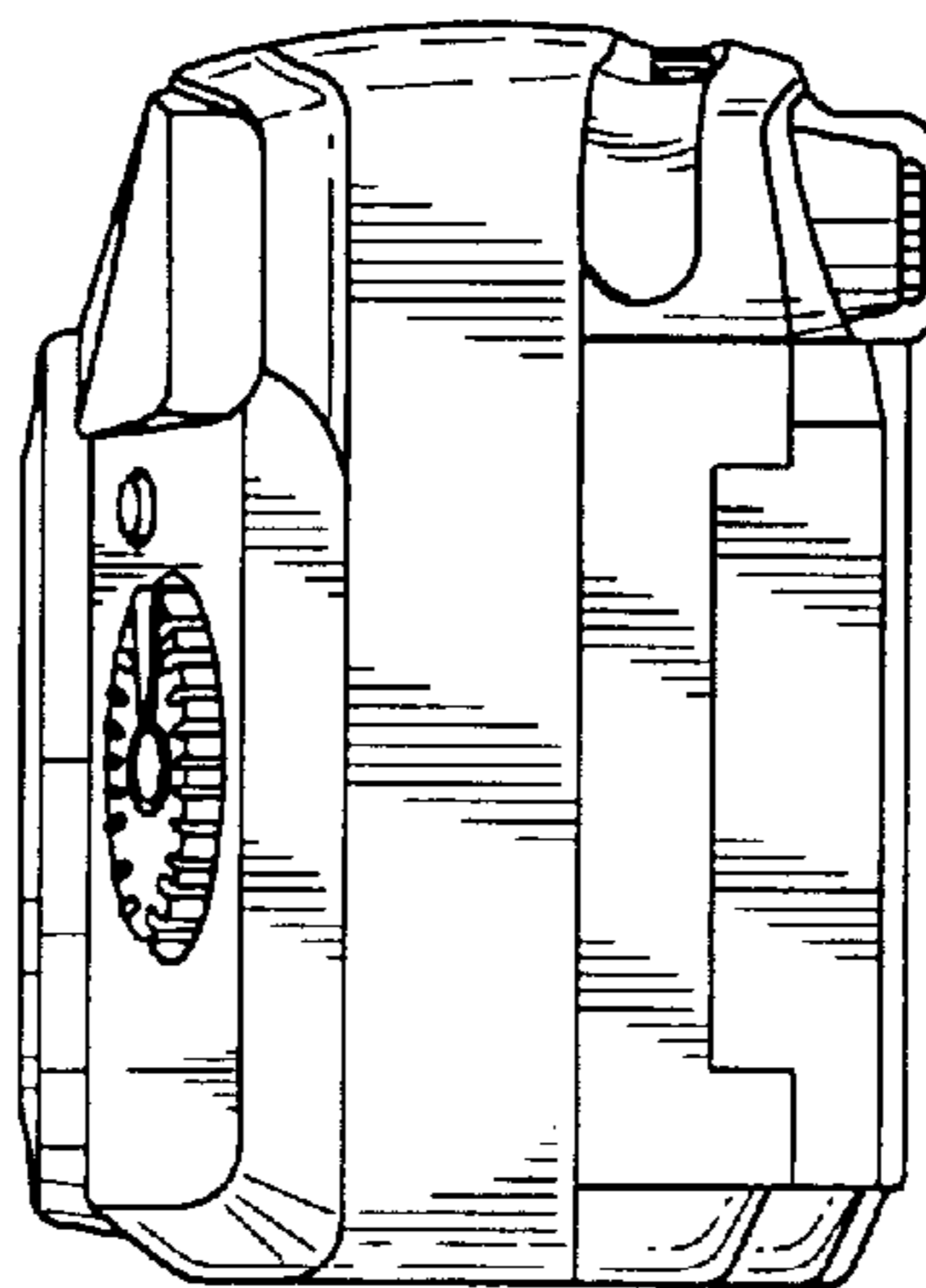


FIG .7

