



US00D434783S

United States Patent [19]
Reichenthal

[11] **Patent Number: Des. 434,783**
[45] **Date of Patent: ** Dec. 5, 2000**

[54] **ROUTER FOR WOOD PROCESSING**

5,899,252 5/1999 Pozzo 144/221

[75] Inventor: **Miklos Reichenthal**, Nahrya, Israel

Primary Examiner—Antoine Duval Davis
Attorney, Agent, or Firm—Morgan & Finnegan LLP

[73] Assignee: **DIMAR Ltd.**, Shelomi, Israel

[57] **CLAIM**

[**] Term: **14 Years**

The ornamental design for a router for wood processing, as shown and described.

[21] Appl. No.: **29/086,349**

DESCRIPTION

[22] Filed: **Apr. 10, 1998**

[51] **LOC (7) Cl.** **15-09**

FIG. 1 is a perspective view of a router for wood processing showing my new design.

[52] **U.S. Cl.** **D15/139**

FIG. 2 is a top view thereof.

[58] **Field of Search** D15/138, 139;
144/218, 221, 222, 241

FIG. 3 is a side view thereof, wherein the opposite side view is a mirror image of FIG. 3.

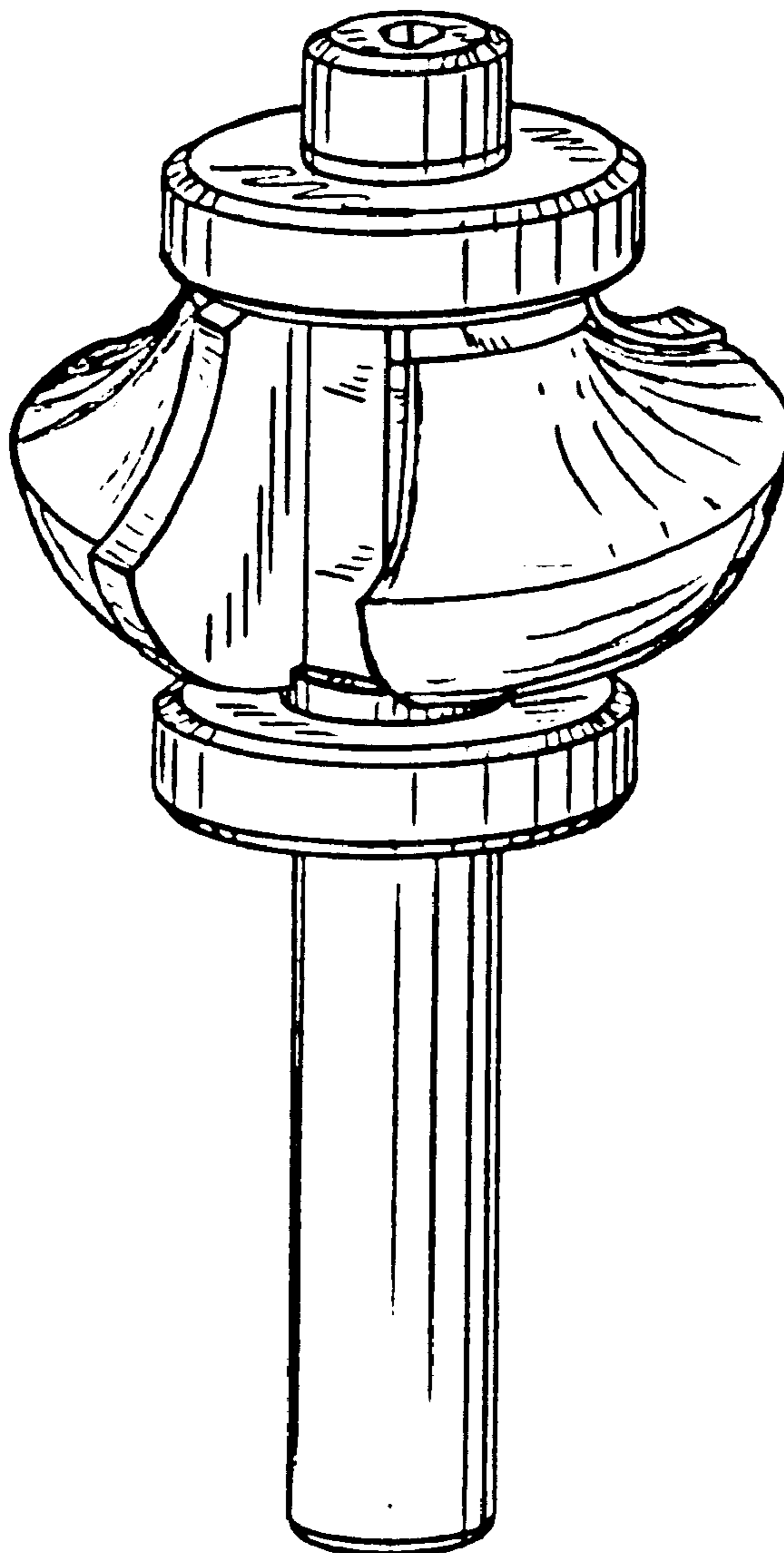
[56] **References Cited**

FIG. 4 is another side view thereof, wherein the opposite side view is a mirror image of FIG. 4; and, FIG. 5 is a bottom view thereof.

U.S. PATENT DOCUMENTS

D. 338,213 8/1993 Witt D15/139

1 Claim, 2 Drawing Sheets



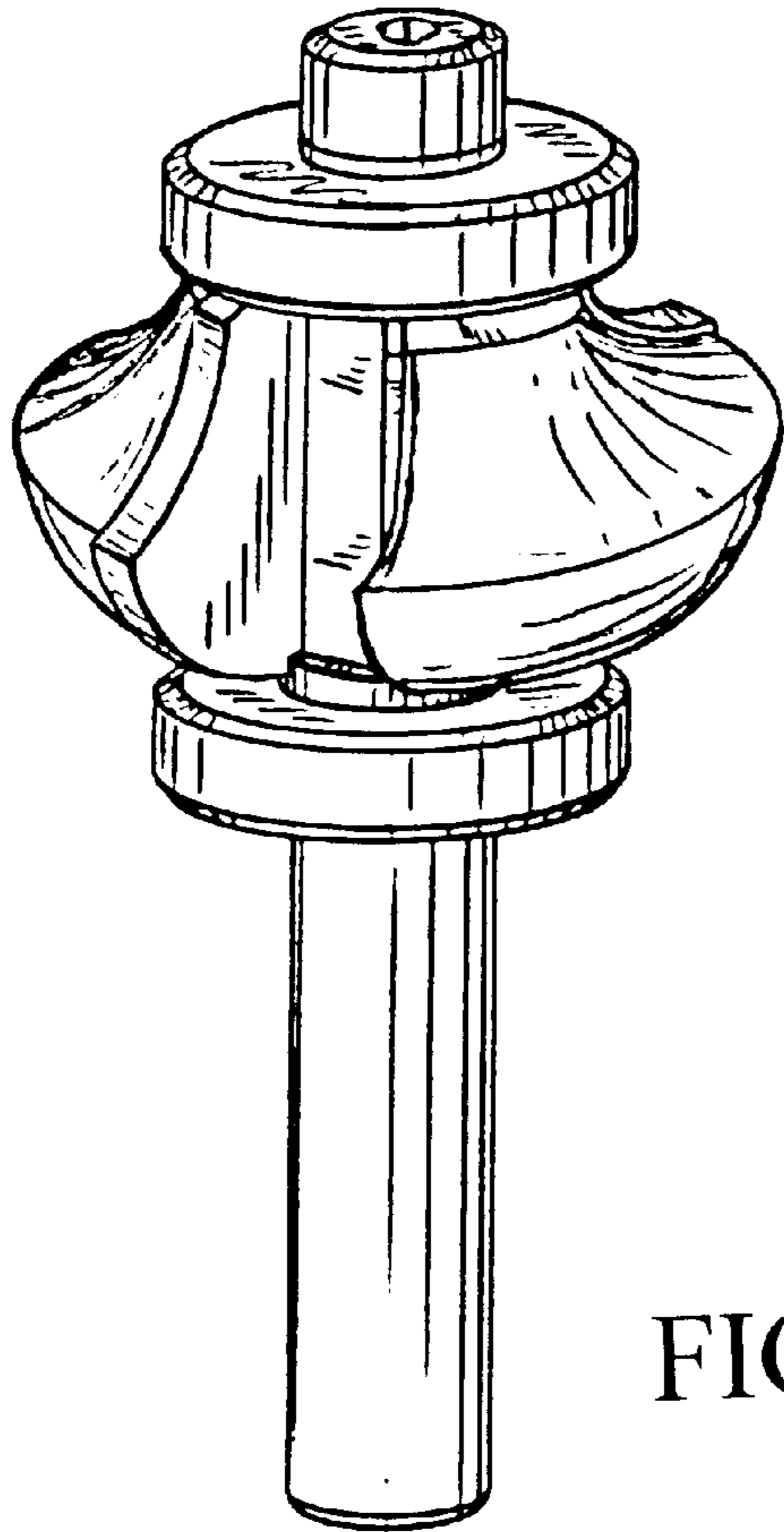


FIG. 1

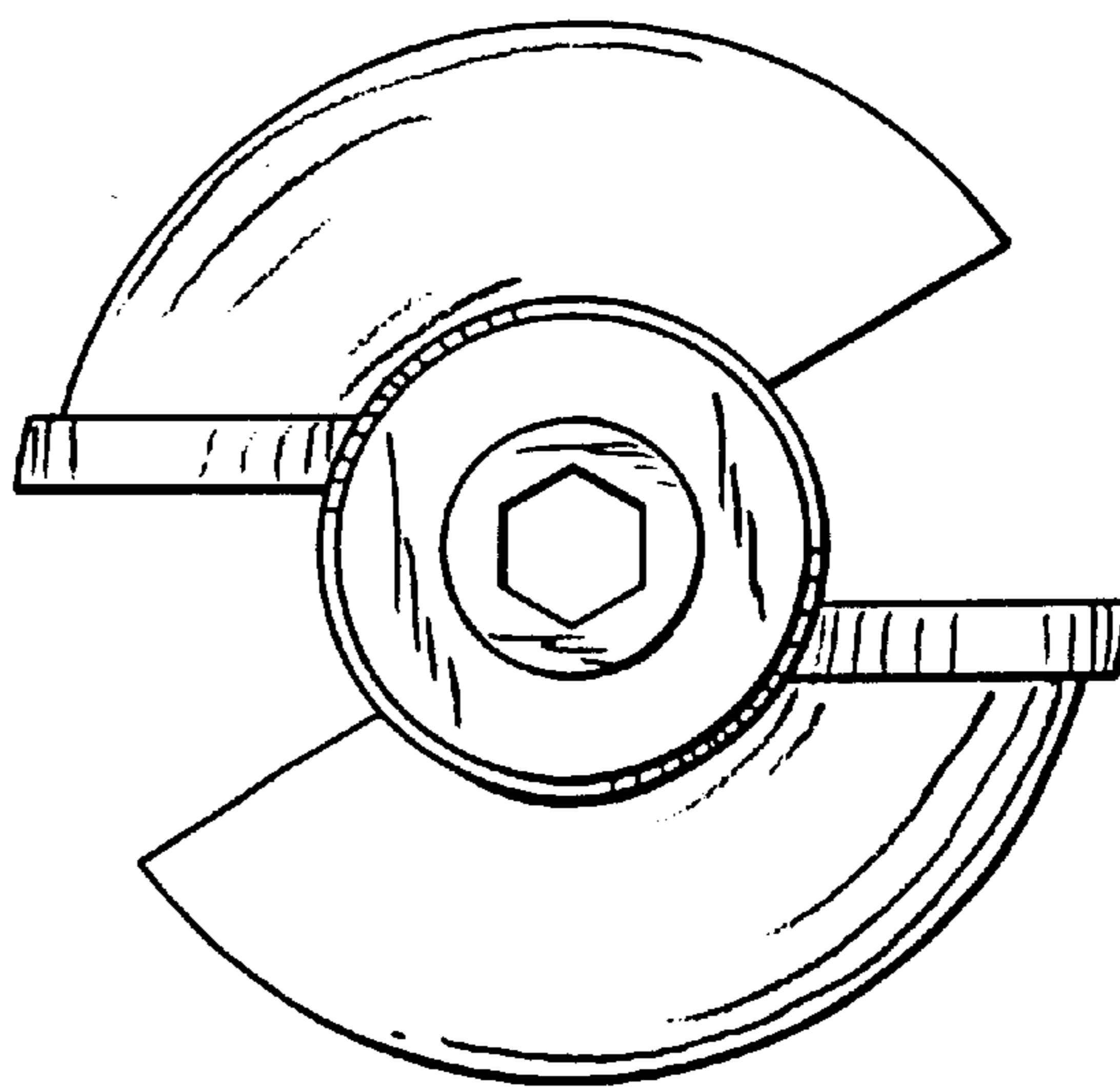


FIG. 2

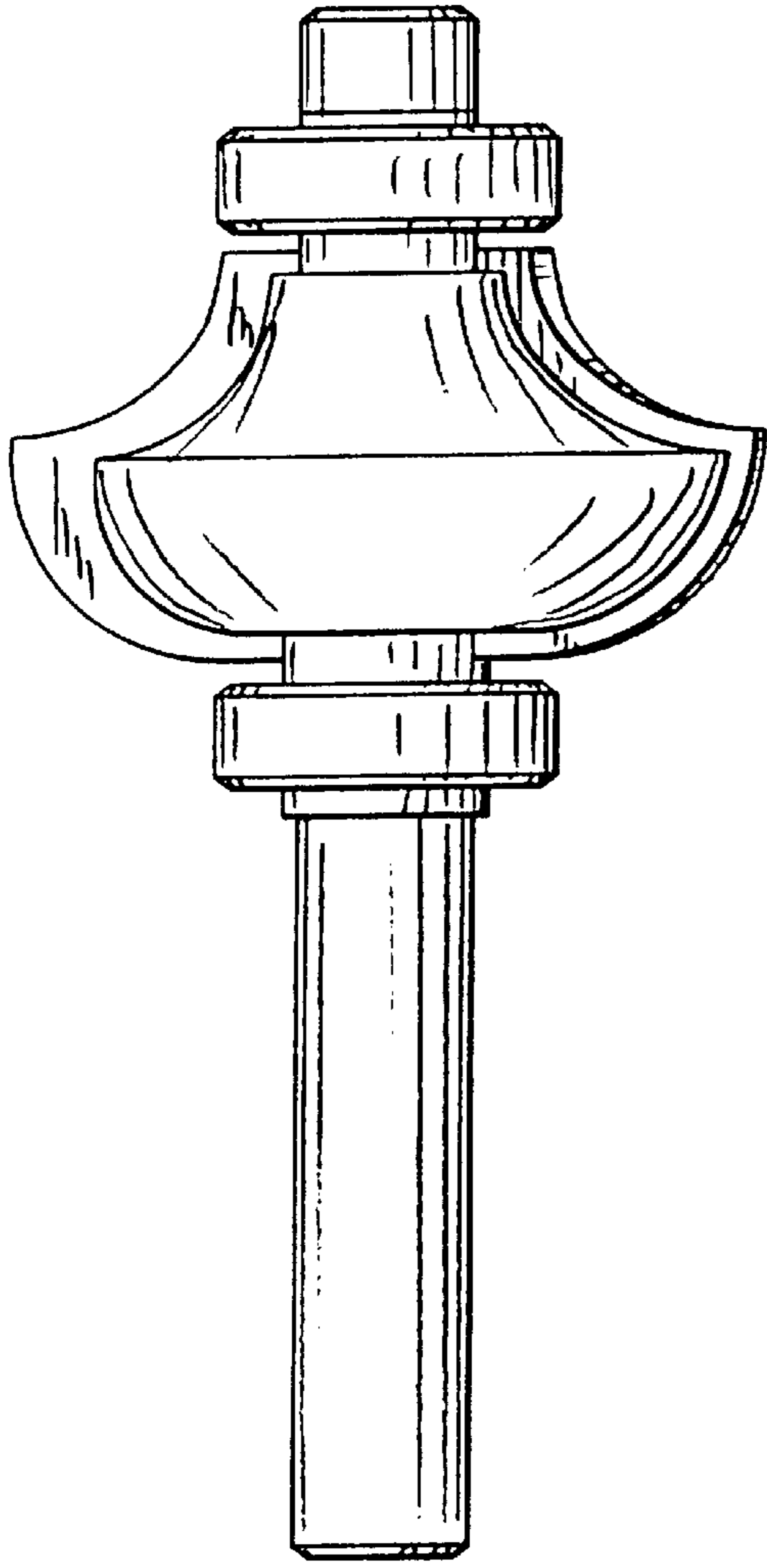


FIG. 3

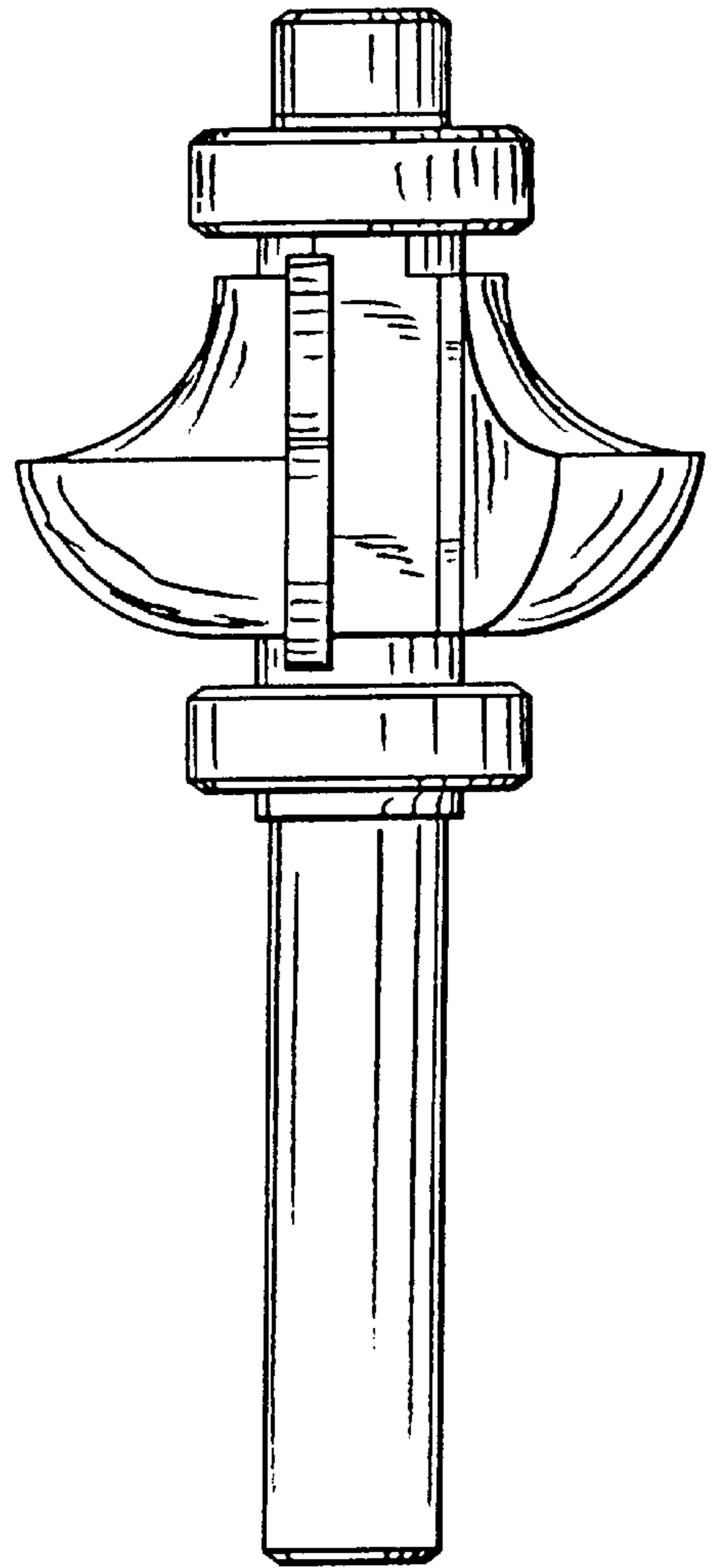


FIG. 4

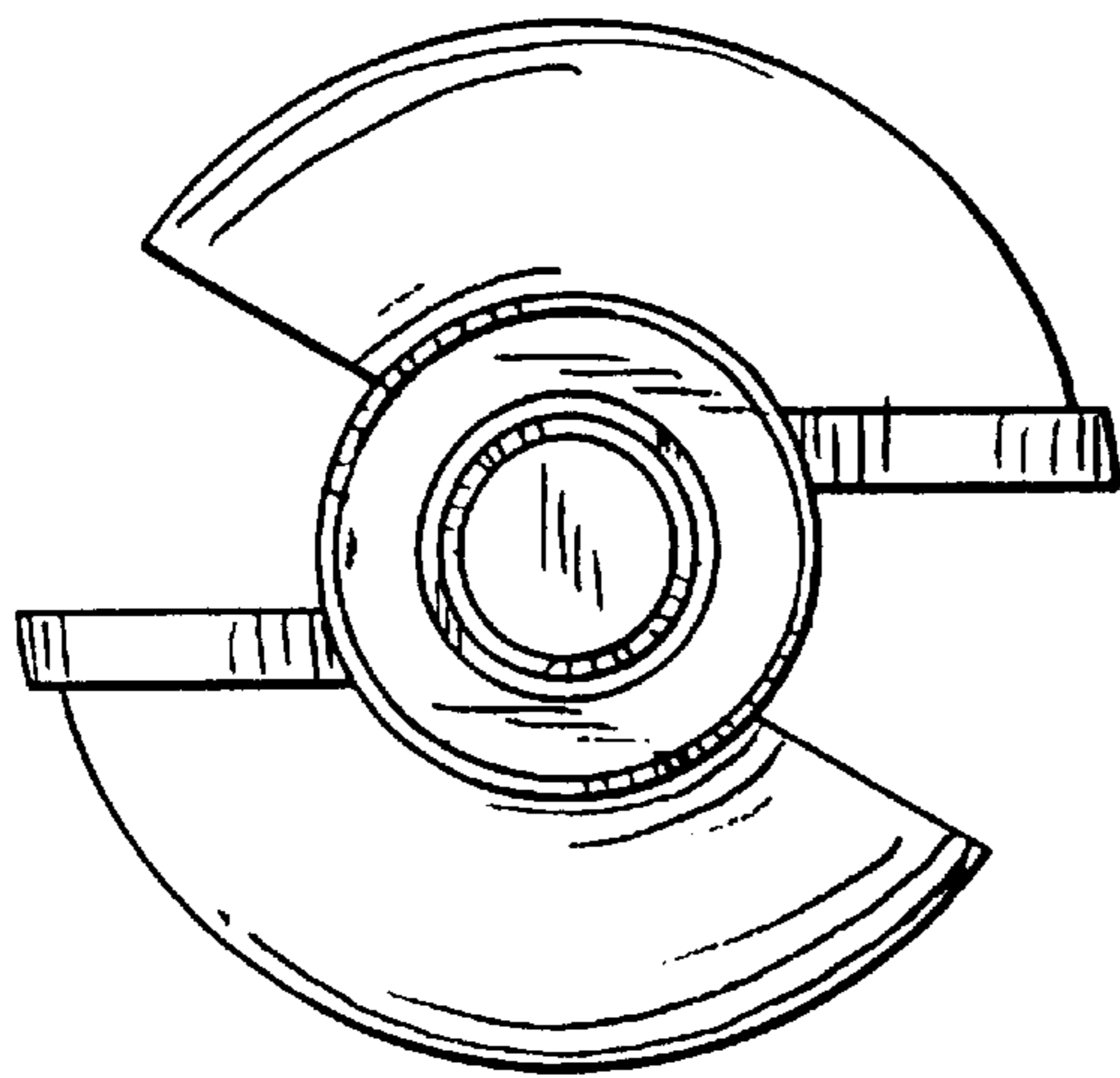


FIG. 5