



US00D434782S

United States Patent [19]
Comas

[11] **Patent Number: Des. 434,782**

[45] **Date of Patent: ** Dec. 5, 2000**

[54] **MACHINE FOR CUTTING AND SEPARATING CERAMIC PIECES**

[75] Inventor: **Josep Torrents Comas**, Rubi, Spain

[73] Assignee: **Germans Boada, S.A.**, Barcelona, Spain

[**] Term: **14 Years**

[21] Appl. No.: **29/104,300**

[22] Filed: **May 3, 1999**

[30] **Foreign Application Priority Data**

Nov. 3, 1998 [ES] Spain 144000

[51] **LOC (7) Cl.** **15-09**

[52] **U.S. Cl.** **D15/127**

[58] **Field of Search** D15/122, 129;
125/23.01, 21, 24

[56] **References Cited**

U.S. PATENT DOCUMENTS

D. 291,578 8/1987 Hepworth D15/127
D. 331,762 12/1992 Matt D15/127

Primary Examiner—Antoine Duval Davis
Attorney, Agent, or Firm—Ostrolenk, Faber, Gerb & Soffen, LLP

[57] **CLAIM**

The ornamental design for a machine for cutting and separating ceramic pieces, as shown and described.

DESCRIPTION

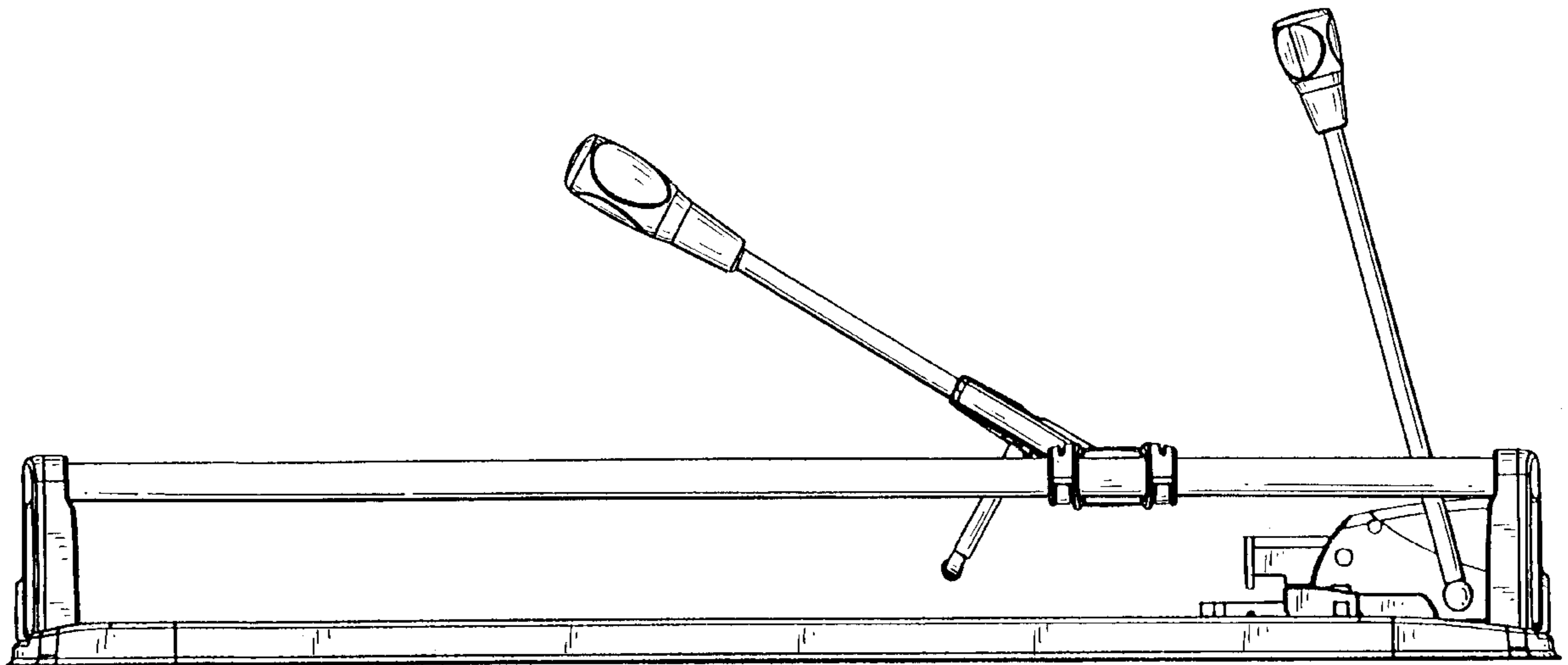
FIG. 1 is a side view of a machine for cutting and separating ceramic pieces showing my new design;

FIG. 2 is an end view thereof; and,

FIG. 3 is a top view thereof.

The bottom is plain and unornamented and not shown.

1 Claim, 3 Drawing Sheets



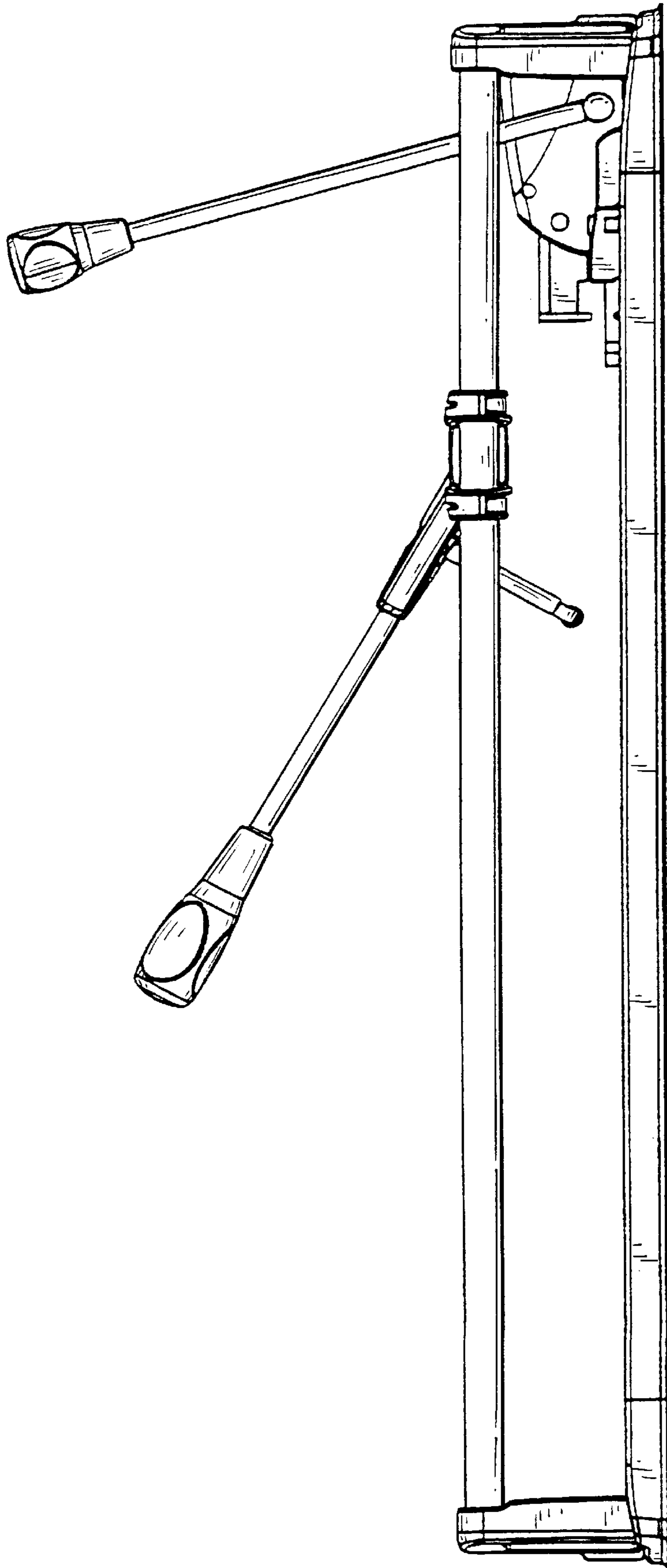


Fig.1

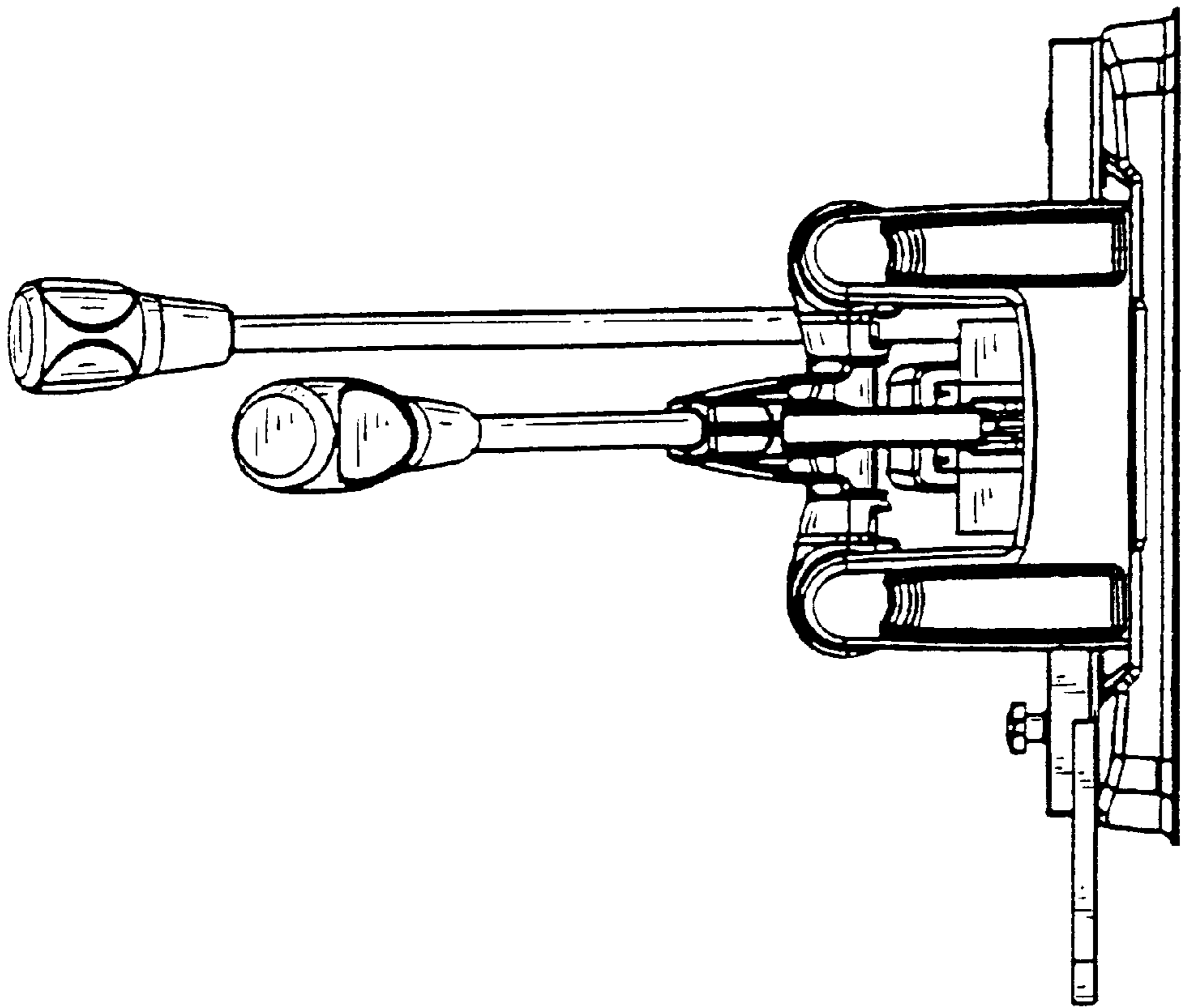


Fig. 2

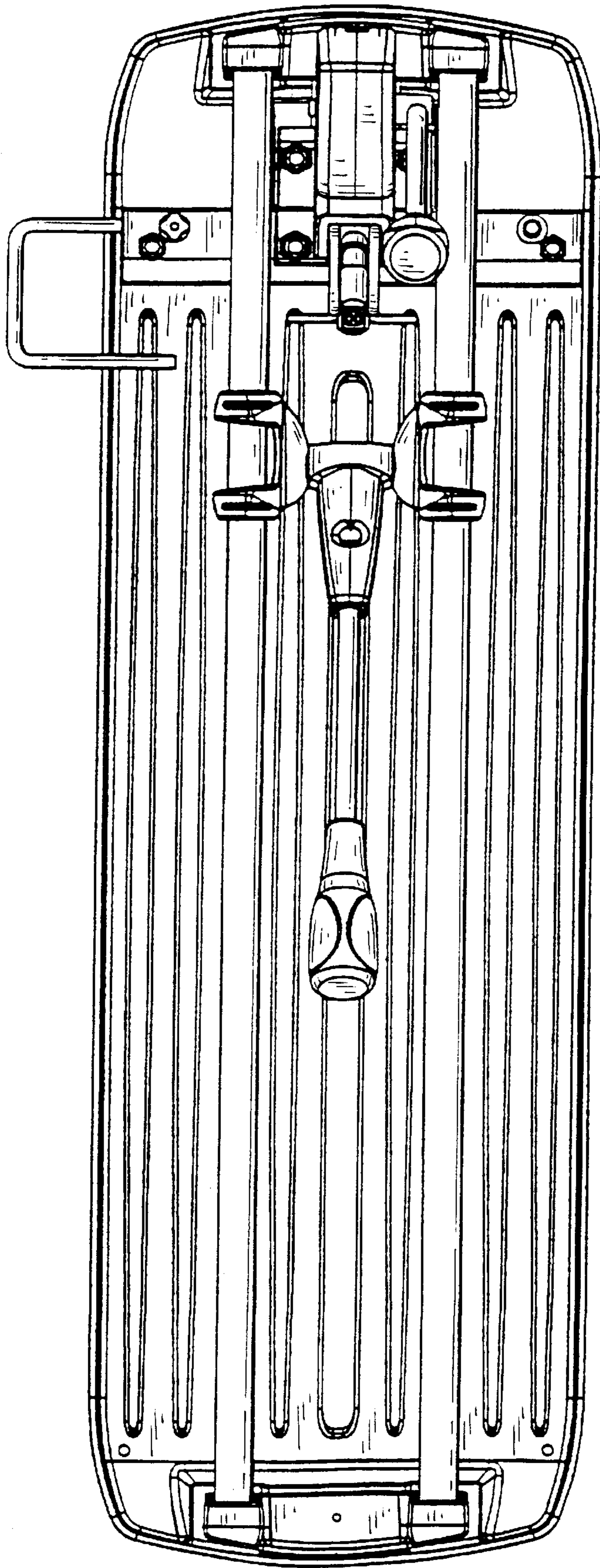


Fig. 3