



US00D434781S

United States Patent [19]
Kawaguchi

[11] **Patent Number: Des. 434,781**

[45] **Date of Patent: ** Dec. 5, 2000**

[54] **SEWING MACHINE**

OTHER PUBLICATIONS

[75] Inventor: **Kiyomi Kawaguchi**, Tokyo, Japan

JCPenney 1995 Fall and Winter Catalog, p. 799. JCPenney Quilt n' Craft Machine.

[73] Assignee: **Janome Sewing Machin Co., Ltd.**, Tokyo, Japan

Primary Examiner—Sandra L. Morris
Attorney, Agent, or Firm—Lowe Hauptman Gopstein Gilman & Berner

[**] Term: **14 Years**

[21] Appl. No.: **29/115,955**

[57] **CLAIM**

[22] Filed: **Dec. 27, 1999**

The ornamental design for a sewing machine, as shown and described.

[30] **Foreign Application Priority Data**

DESCRIPTION

Sep. 17, 1999 [JP] Japan 11-25090

[51] **LOC (7) Cl.** **15-06**

[52] **U.S. Cl.** **D15/69**

[58] **Field of Search** D15/66-72; 112/217.1-217.4, 112/256-261

FIG. 1 is a perspective view of a sewing machine showing my design;
FIG. 2 is a front elevational view thereof;
FIG. 3 is a rear elevational view thereof;
FIG. 4 is a top plan view thereof;
FIG. 5 is a bottom plan view thereof;
FIG. 6 is a left elevational view thereof; and,
FIG. 7 is a right side elevational view thereof.

[56] **References Cited**

U.S. PATENT DOCUMENTS

D. 359,964 7/1995 Nakajima et al. D15/69
D. 403,333 12/1998 Takada et al. D15/70

1 Claim, 6 Drawing Sheets

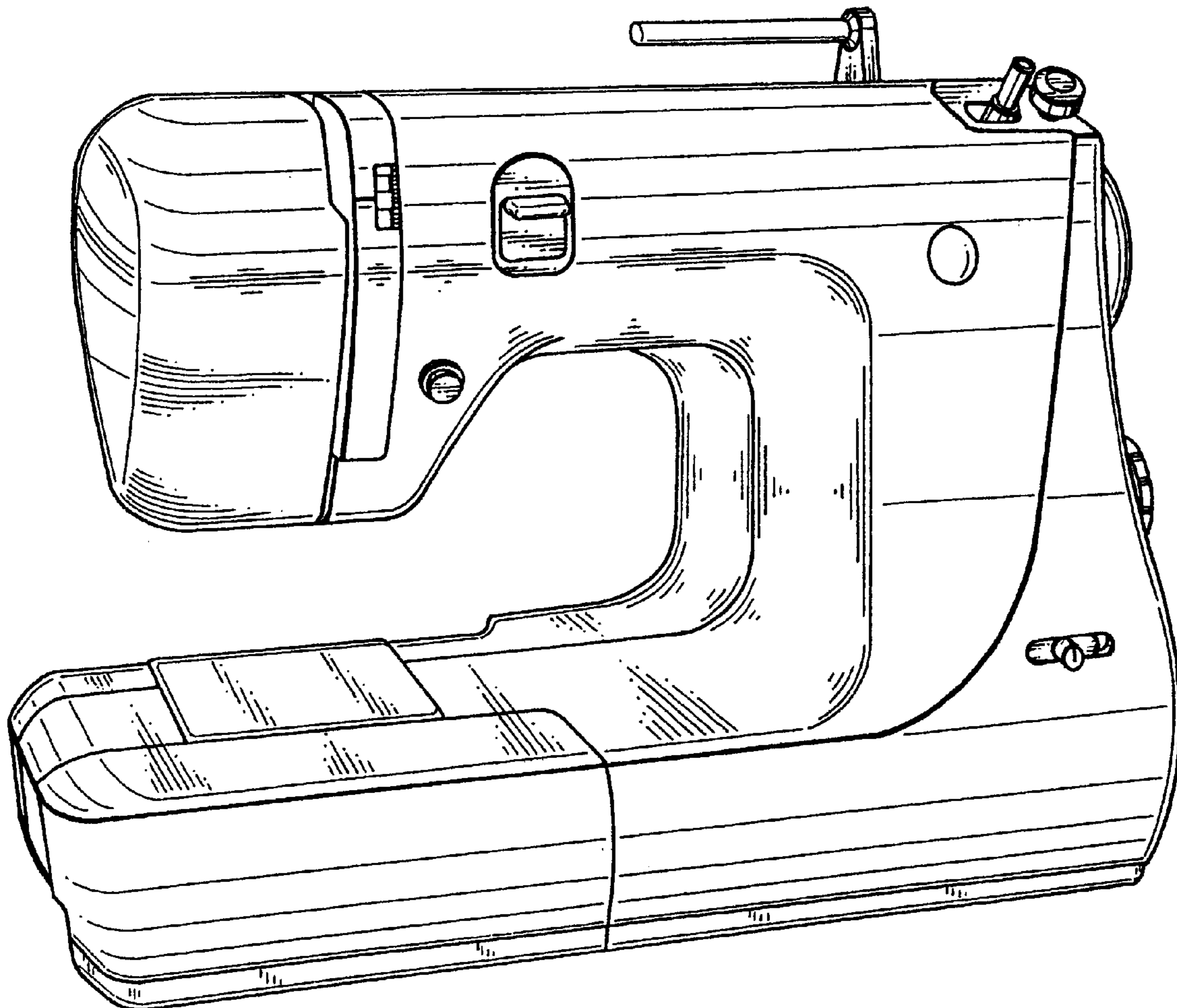


Fig. 1

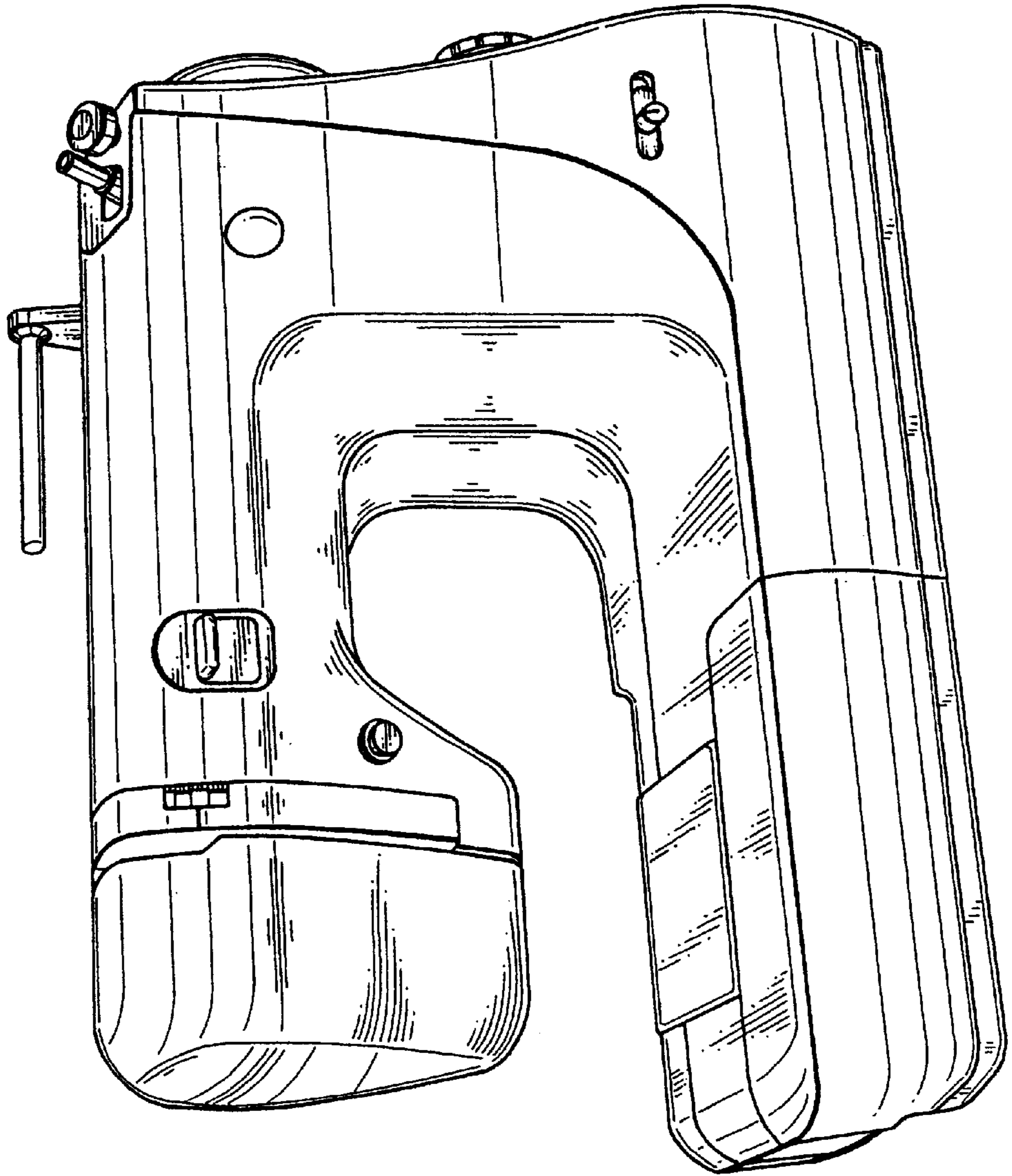


Fig. 2

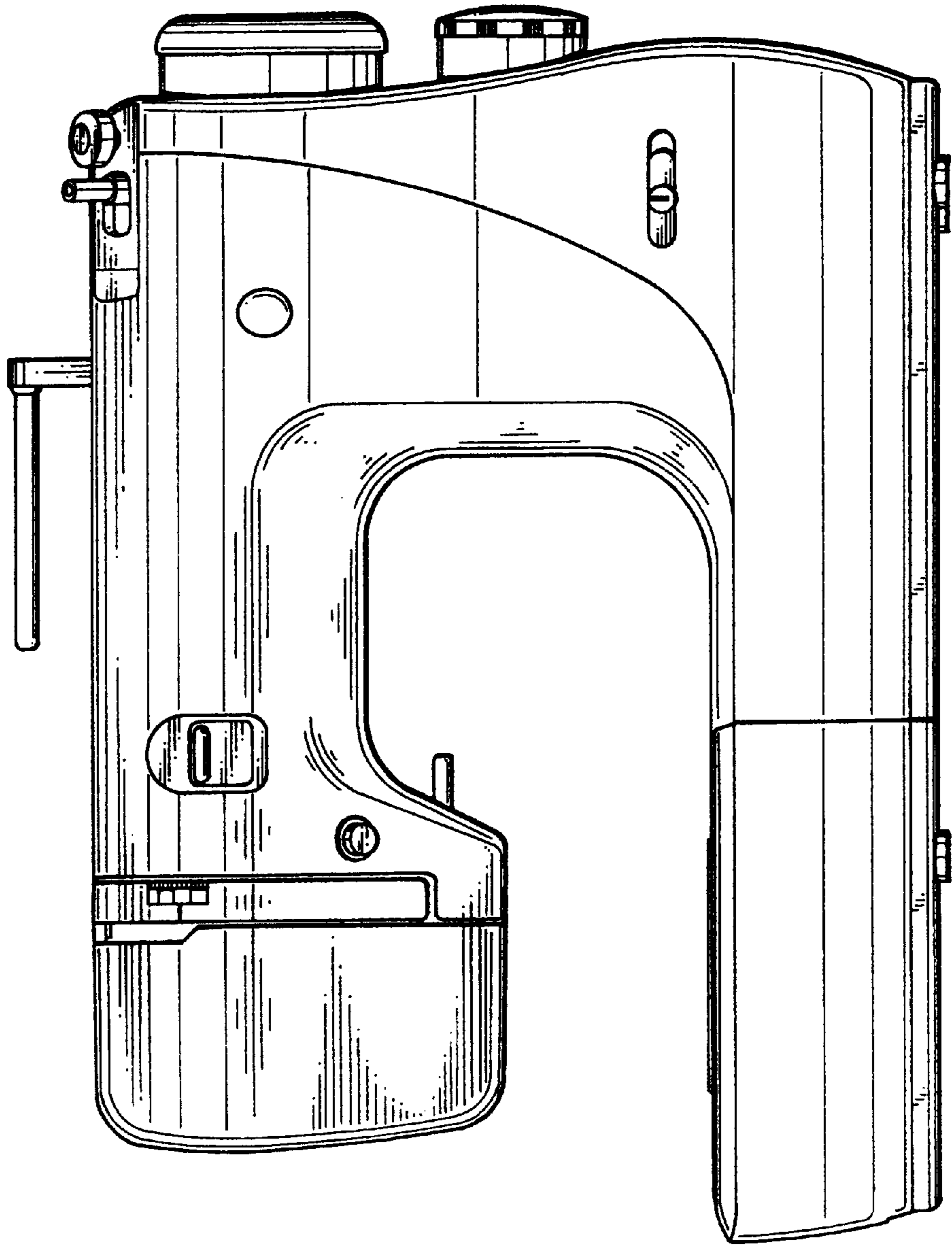


Fig. 3

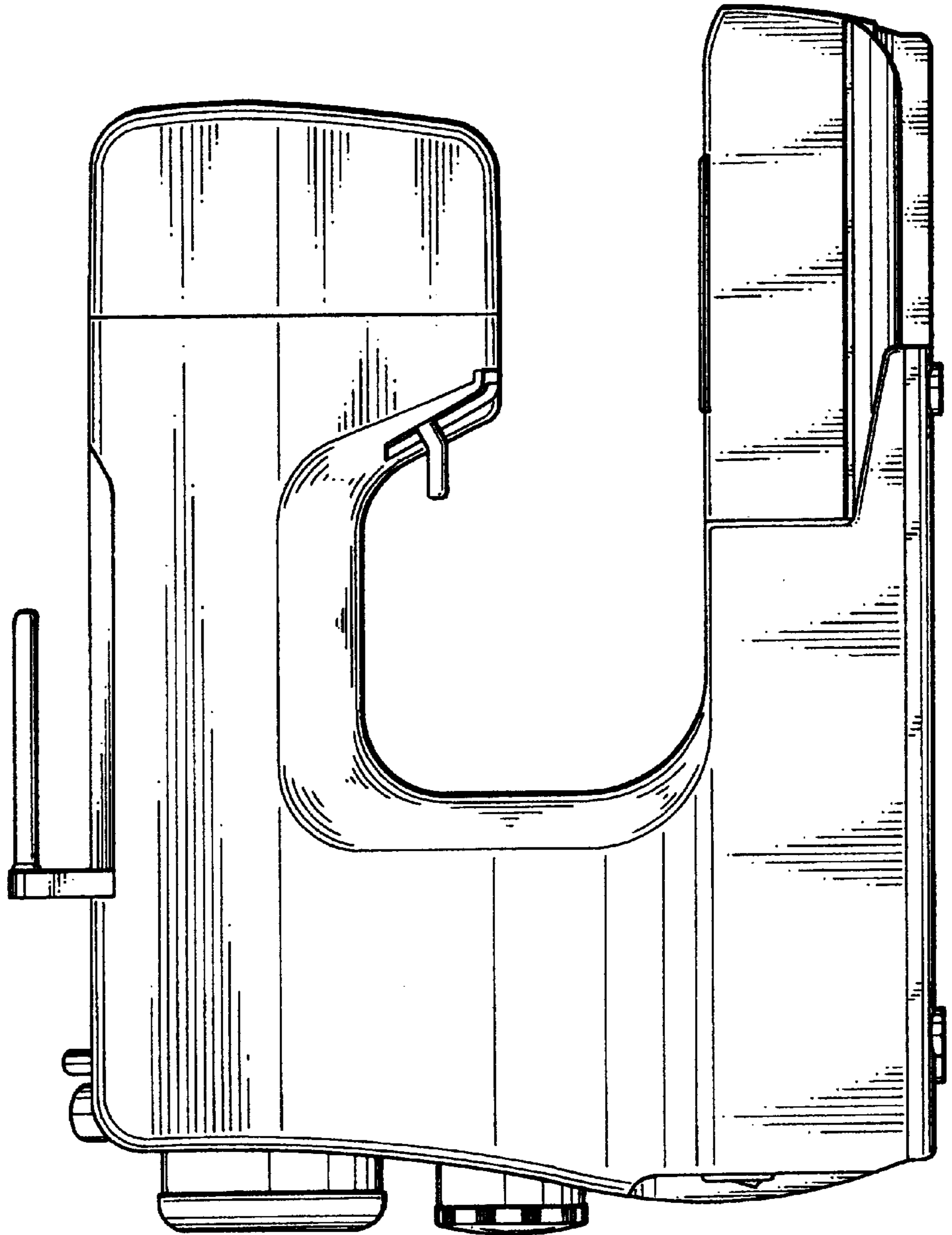


Fig. 4

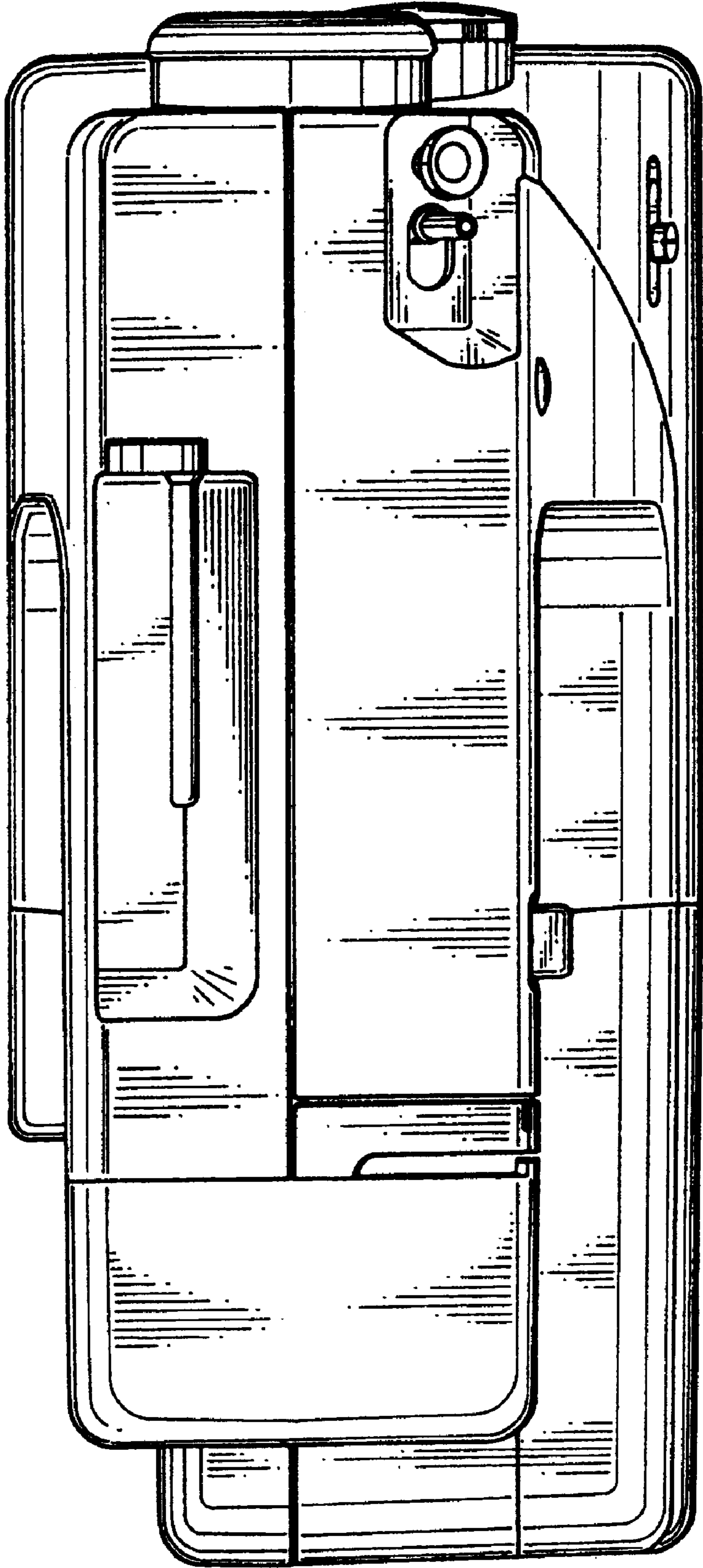


Fig. 5

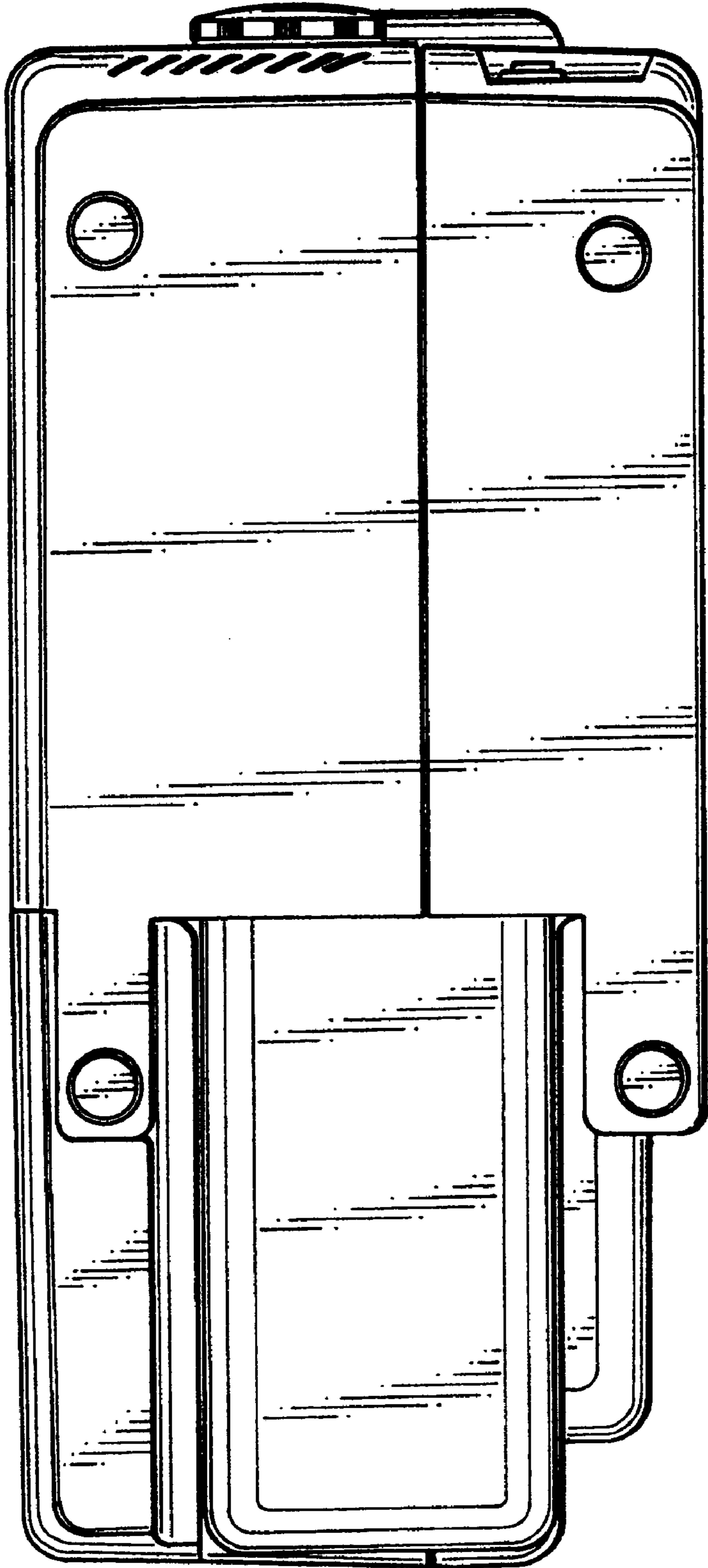


Fig. 7

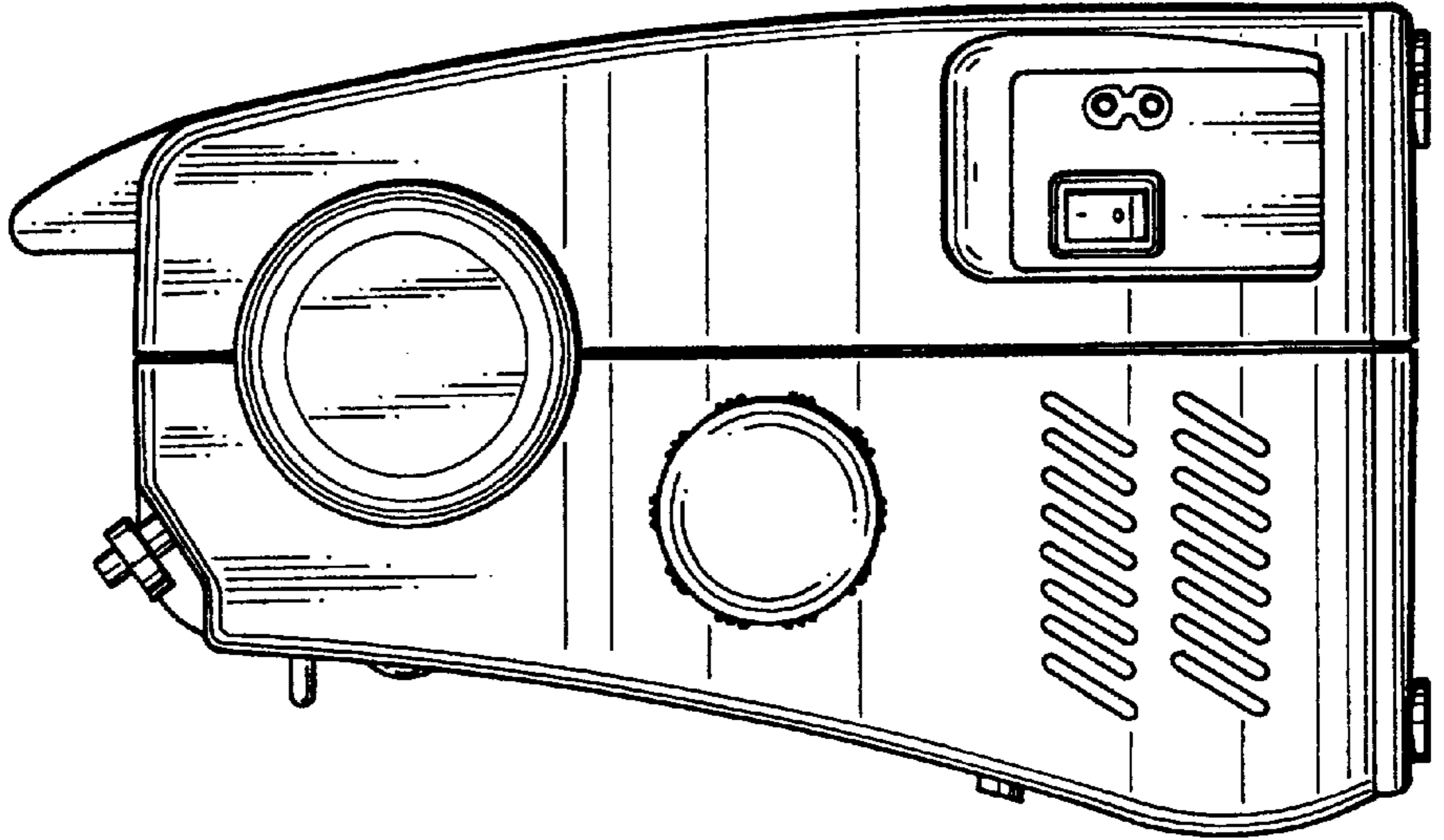


Fig. 6

