



US00D434779S

United States Patent [19]

[11] **Patent Number: Des. 434,779**

Agresta et al.

[45] **Date of Patent: ** Dec. 5, 2000**

[54] **POND PUMP**

[75] Inventors: **Mark Gerard Agresta**, Blacksburg; **Ronnie Albert Poff**, Dublin, both of Va.; **David William Pool**, Bishops Waltham, United Kingdom; **James Hess**, Hickory, N.C.; **John Randall Hegstad**, Hershey, Pa.; **Kay Jungblut**, Georgsmarienhutte, Germany

- D. 357,687 4/1995 Jenson D15/7
- D. 376,370 12/1996 Davis et al. D15/7
- D. 403,329 12/1998 Walker et al. D15/7
- D. 404,400 1/1999 Wang D15/7
- D. 407,411 3/1999 Chalberg et al. D15/7

[73] Assignee: **Warner-Lambert Company**, Morris Plains, N.J.

Primary Examiner—Ralf Seifert
Attorney, Agent, or Firm—Charles W. Almer

[**] Term: **14 Years**

[57] **CLAIM**

[21] Appl. No.: **29/108,215**

The ornamental design for a pond pump, as shown and described.

[22] Filed: **Jul. 22, 1999**

DESCRIPTION

- [51] **LOC (7) Cl.** **15-02**
- [52] **U.S. Cl.** **D15/7**
- [58] **Field of Search** D15/7-9; 119/76; 415/906, 909; 417/360, 375-376, 362, 423.3

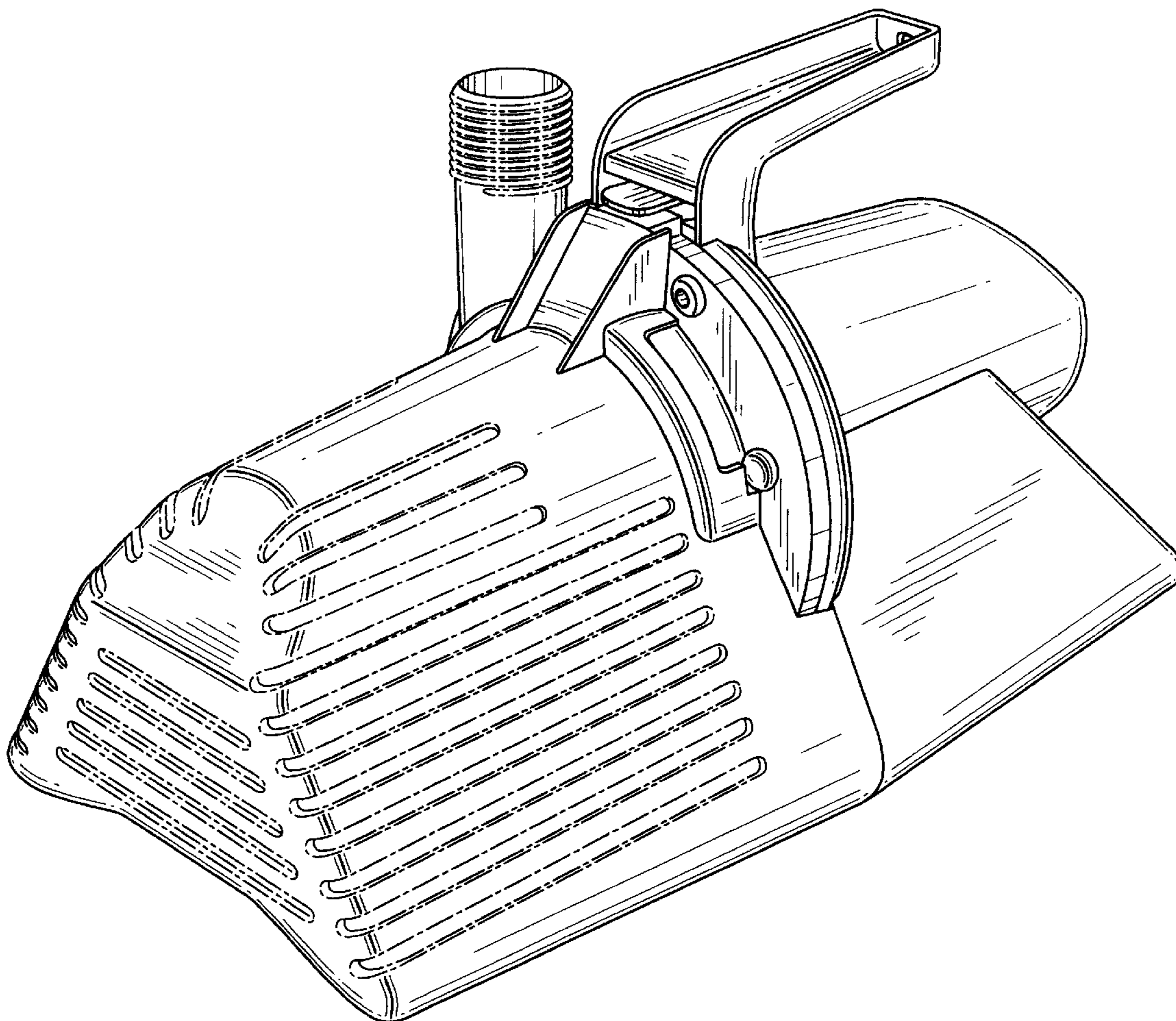
FIG. 1 is a top perspective view of the pond pump. FIG. 2 is a bottom perspective view of the pond pump. FIG. 3 is a top view of the pond pump. FIG. 4 is a side view of the pond pump. FIG. 5 is a front view of the pond pump. FIG. 6 is a back view of the pond pump. FIG. 7 is an opposite side view of the pond pump; and, FIG. 8 is a bottom view of the pond pump. It being understood that the broken lines are for illustrative purposes only.

[56] **References Cited**

U.S. PATENT DOCUMENTS

- D. 354,754 1/1995 Broughton D15/7

1 Claim, 8 Drawing Sheets



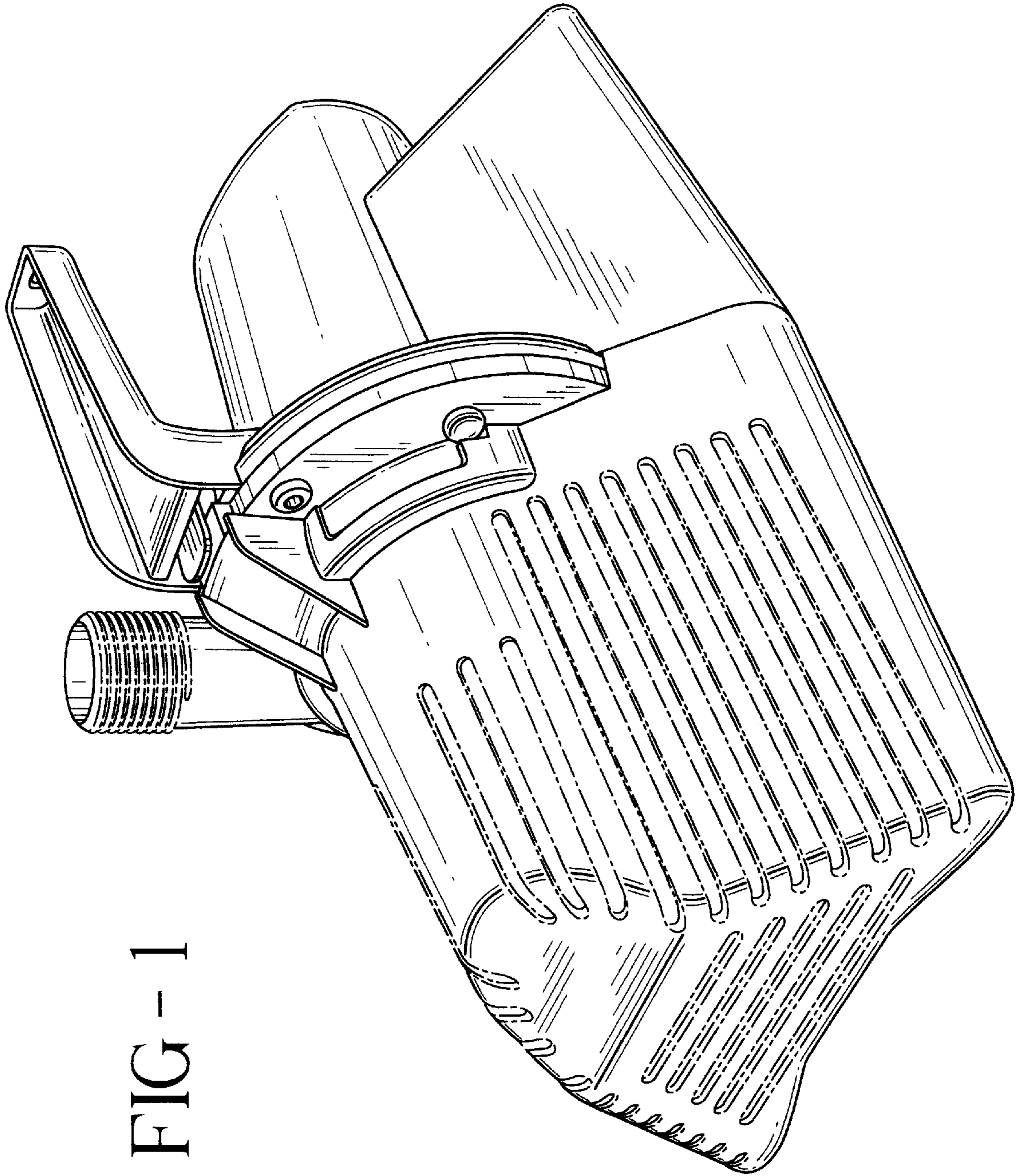


FIG - 1

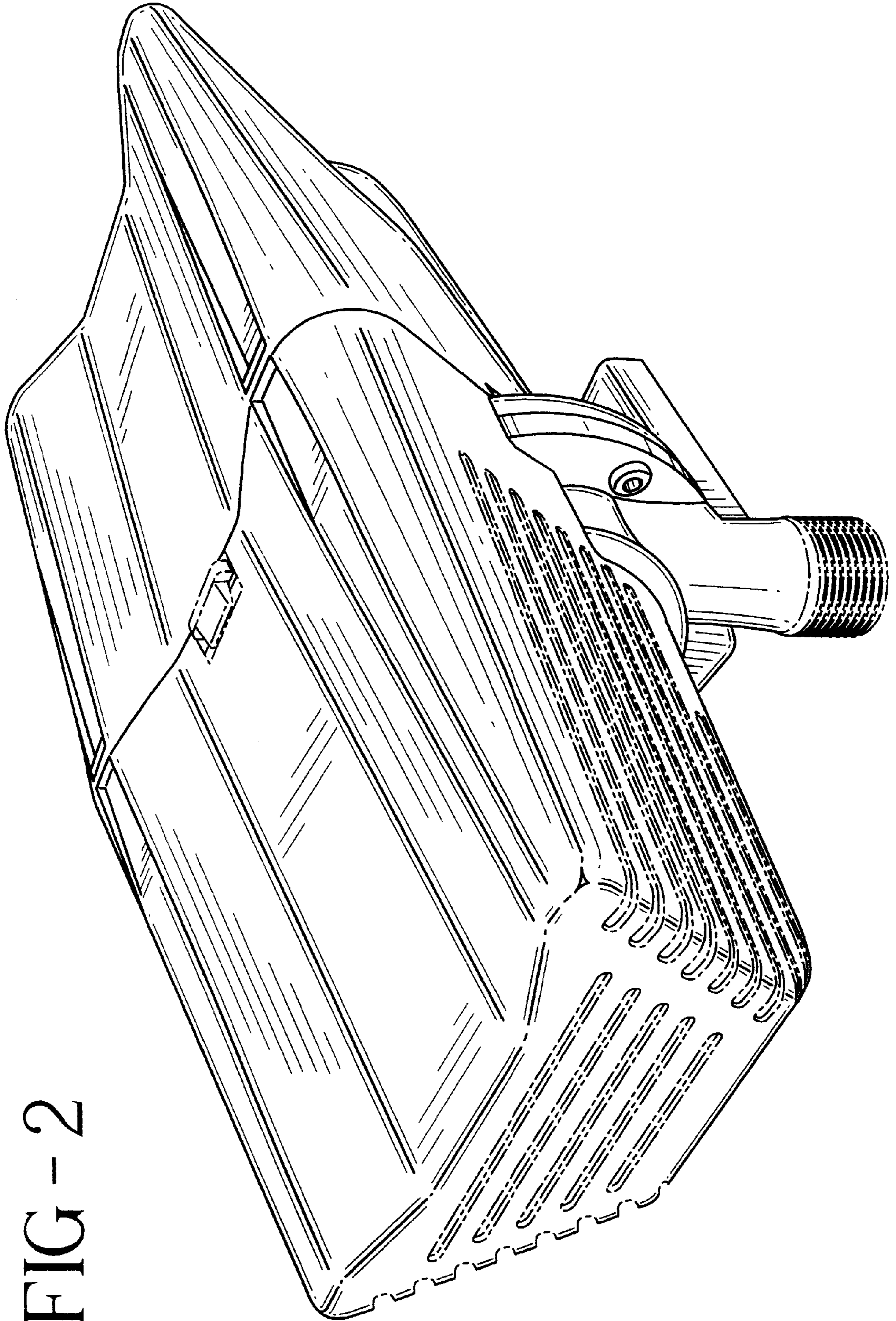


FIG - 2

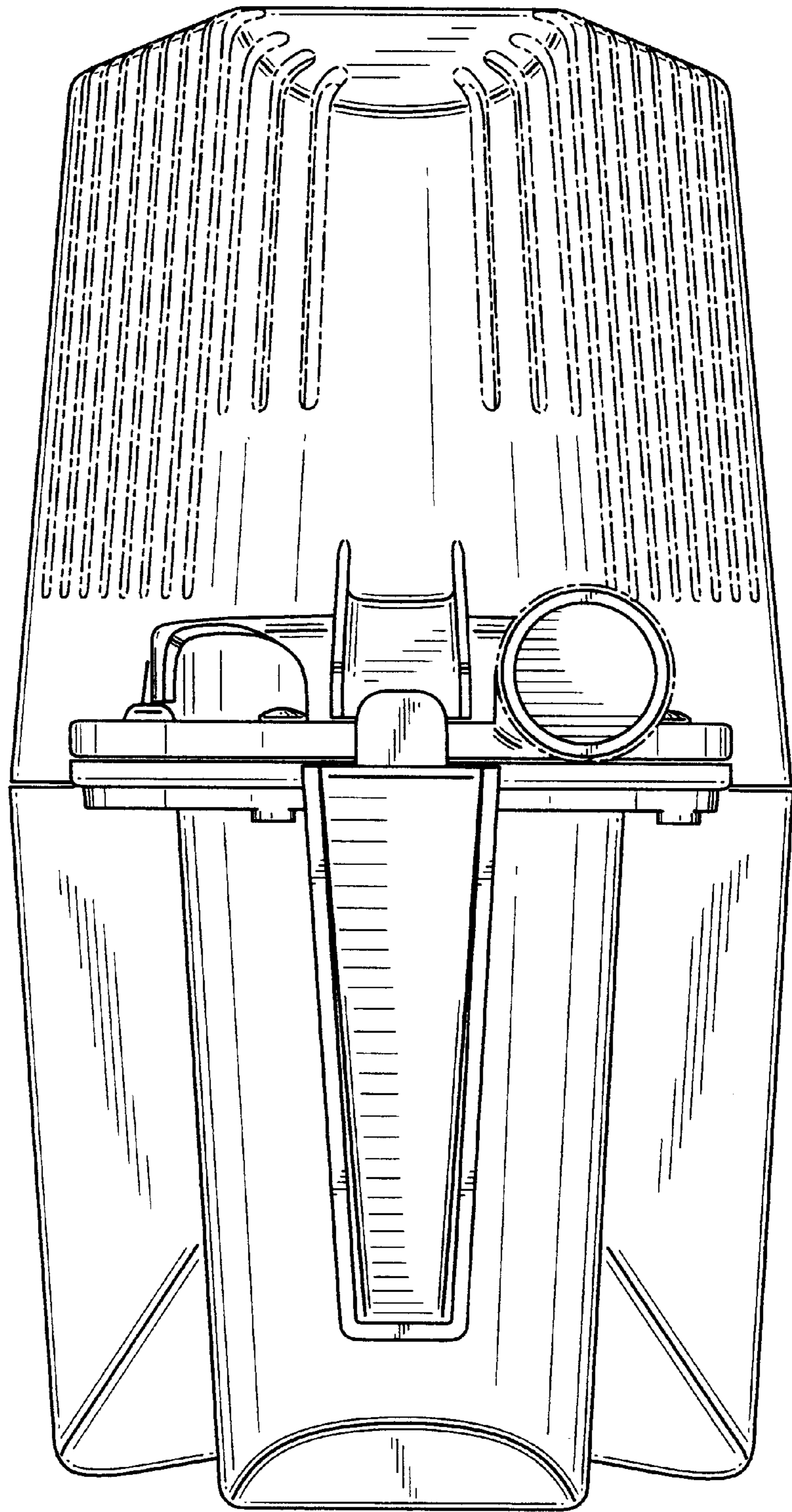


FIG - 3

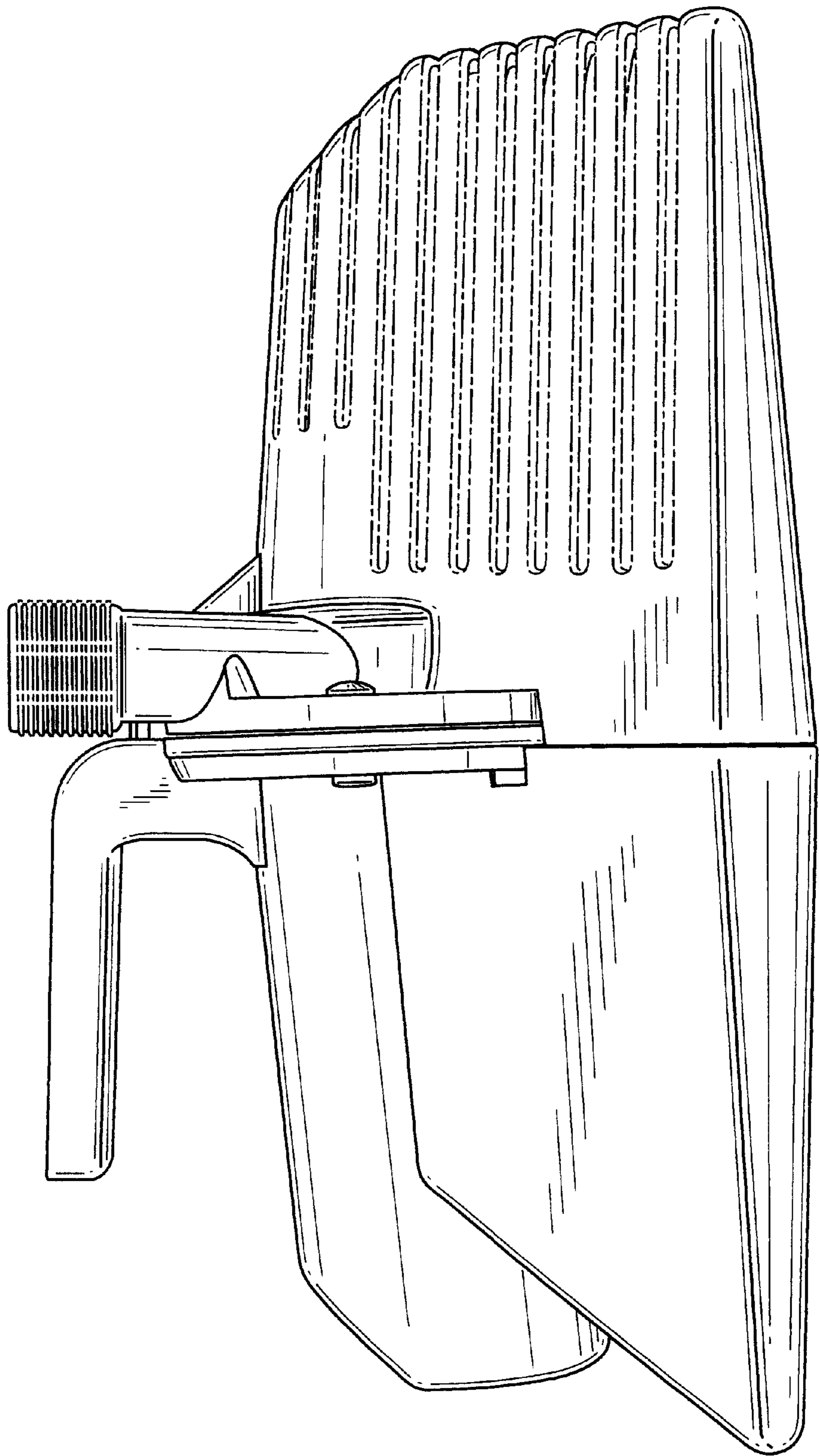


FIG - 4

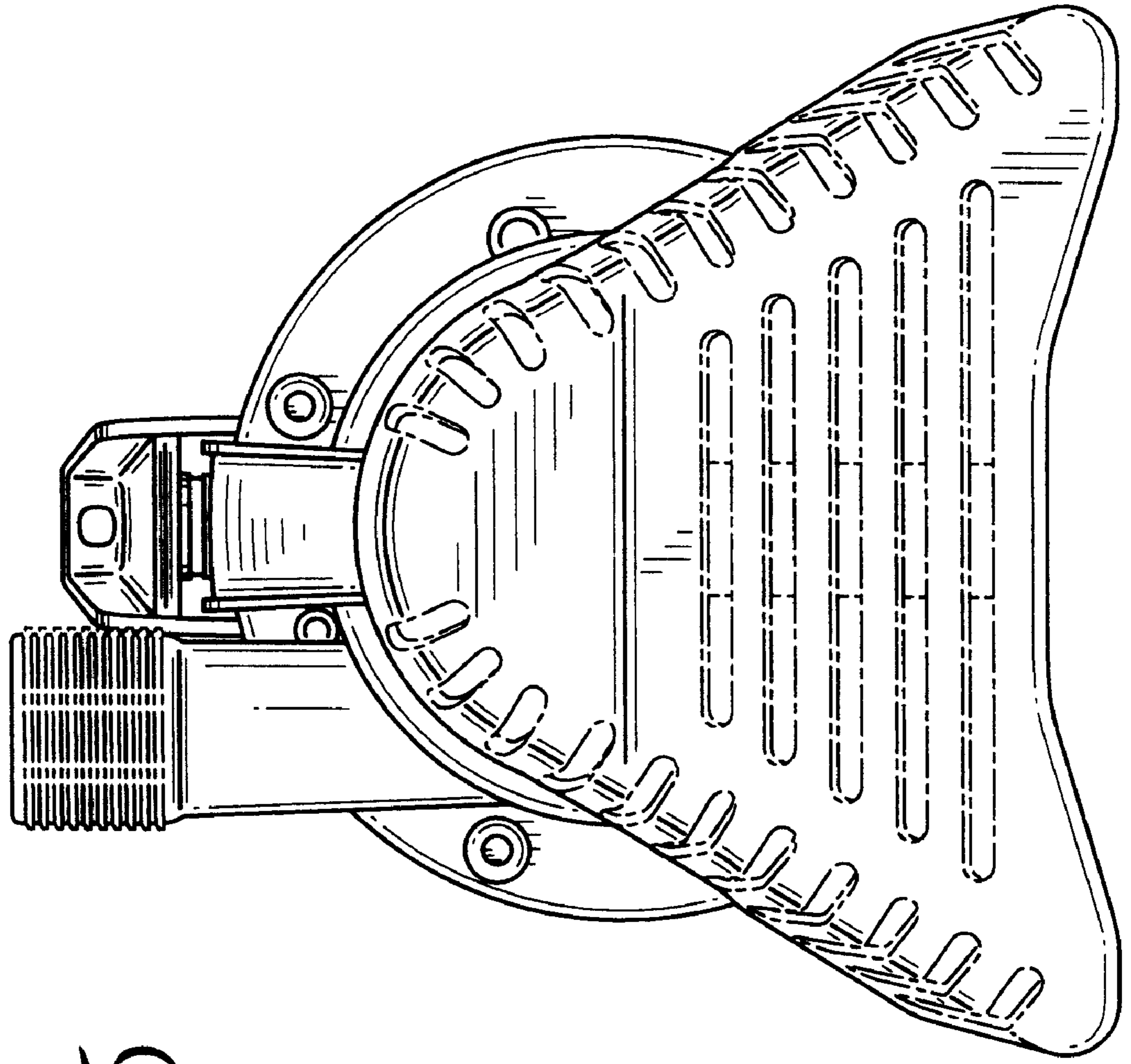


FIG - 5

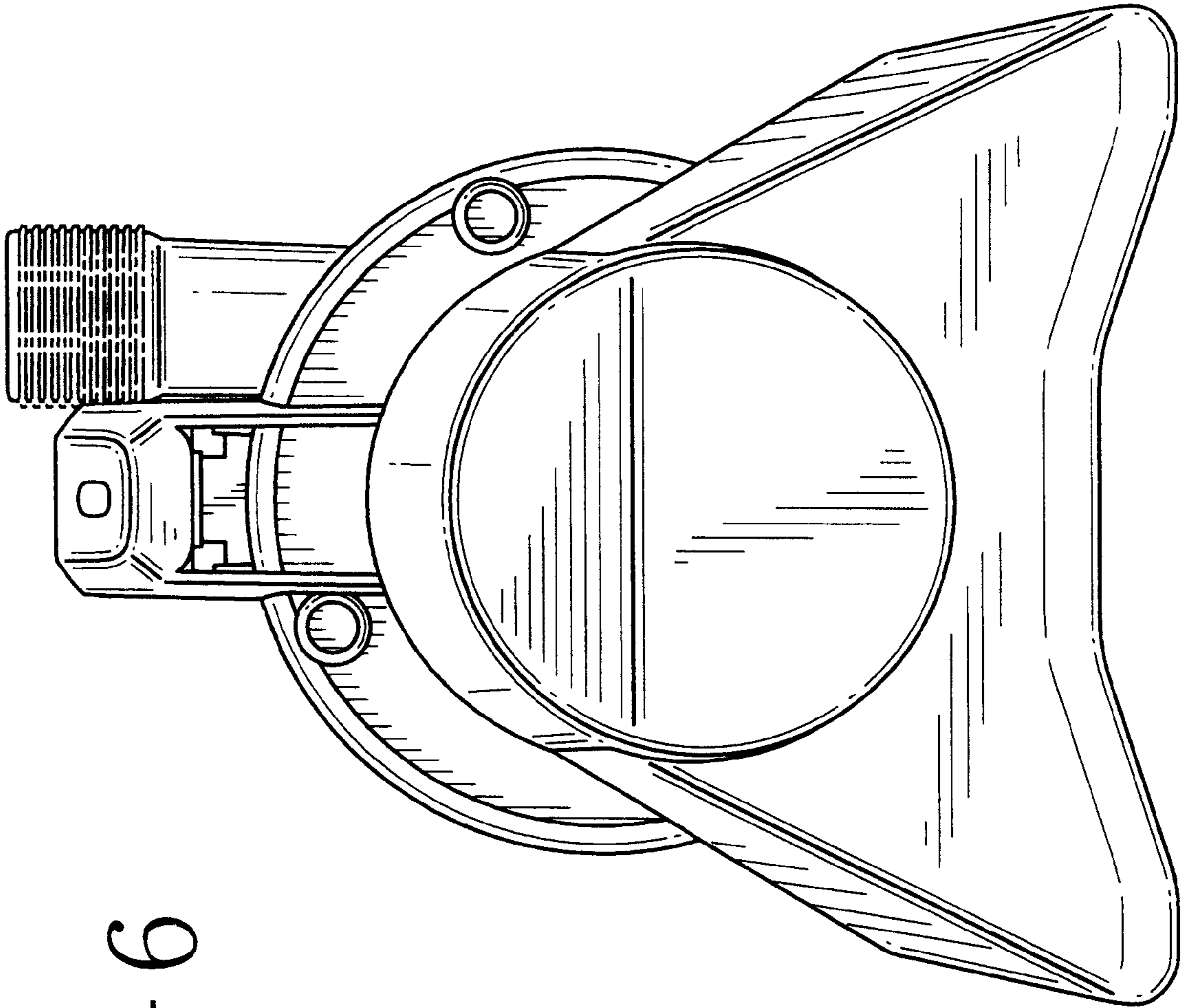


FIG - 6

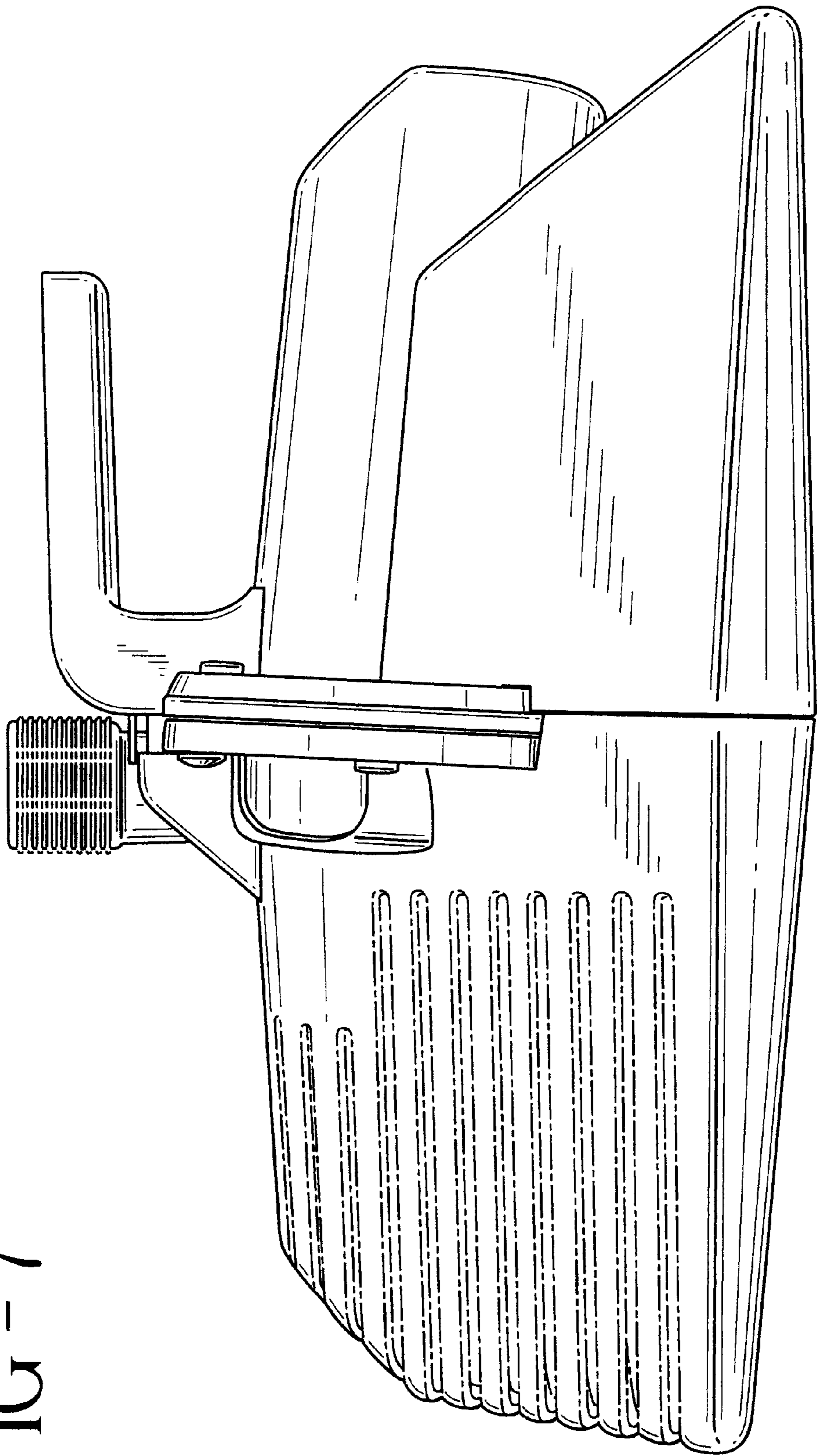


FIG - 7

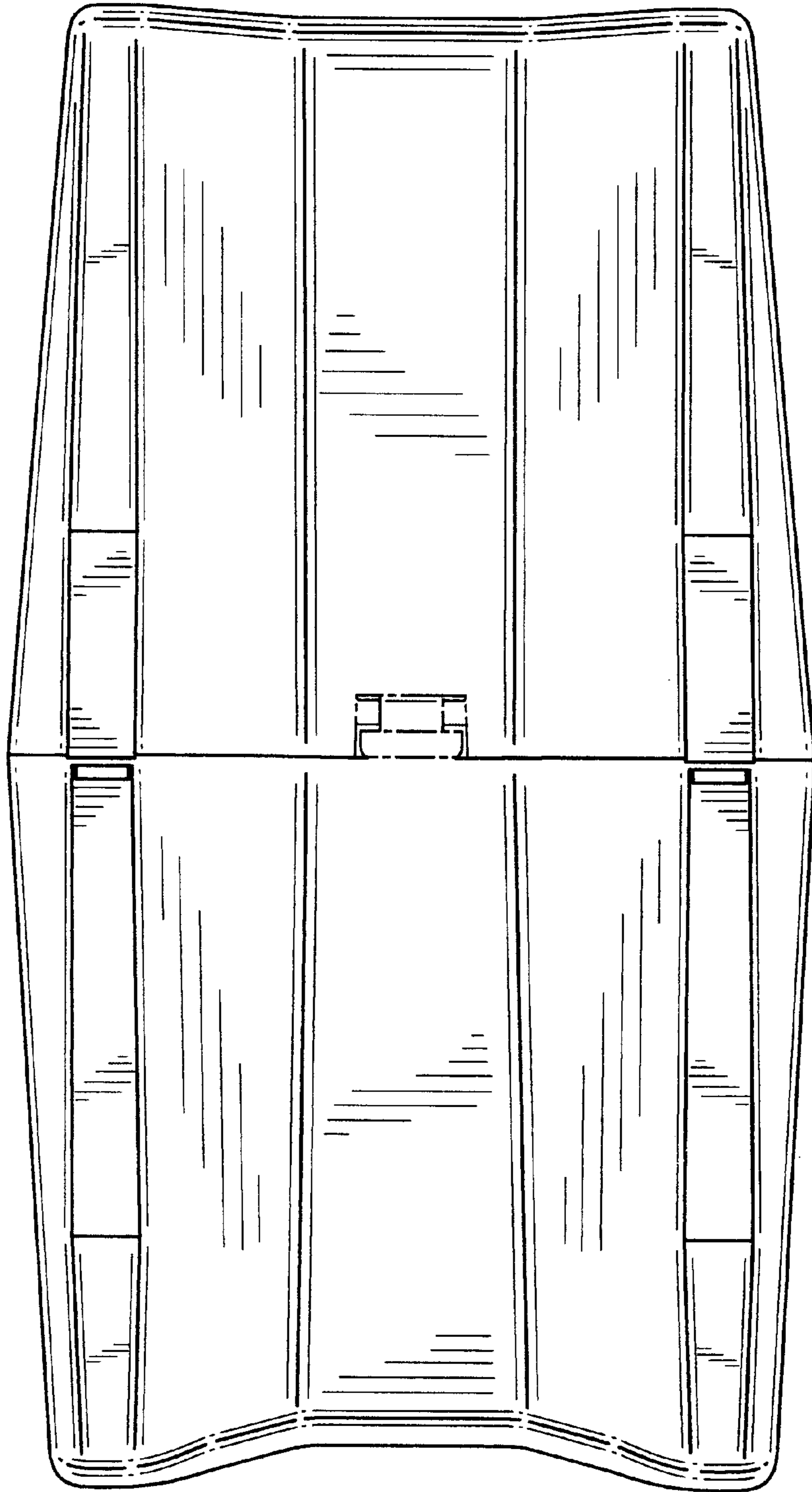


FIG - 8