



US00D434777S

# United States Patent [19]

[11] **Patent Number: Des. 434,777**

**Peterson et al.**

[45] **Date of Patent: \*\* Dec. 5, 2000**

[54] **HUB FOR DISK STORAGE CONTAINER**

[75] Inventors: **James N. Peterson**, North Canton;  
**James M. Byrne**, Massillon; **Kevin E. Myszka**, Kent; **James K. Sankey**, Hudson, all of Ohio; **Jesus Cordero**, Totowa, N.J.

D. 293,570	1/1988	Igarashi .....	D14/484
D. 308,056	5/1990	Takeda .....	D14/484
D. 411,840	7/1999	Lee .....	D14/484
3,227,269	1/1966	Martinez et al. ....	D14/484 X
4,754,358	6/1988	Oishi .....	360/132
5,848,689	12/1998	Mueller .....	206/308.1
5,887,713	3/1999	Smith et al. ....	206/308.1
6,041,922	3/2000	Kollinek .....	206/308.1

[73] Assignee: **AEI Acquisition, LLC**, North Canton, Ohio

*Primary Examiner*—Prabhakar Deshmukh  
*Attorney, Agent, or Firm*—Sand & Sebolt

[\*\*] Term: **14 Years**

### [57] CLAIM

[21] Appl. No.: **29/119,435**

The ornamental design for hub for disk storage container, as shown and described.

[22] Filed: **Feb. 29, 2000**

### DESCRIPTION

[51] **LOC (7) Cl.** ..... **14-99**  
[52] **U.S. Cl.** ..... **D14/484**  
[58] **Field of Search** ..... D14/483, 484,  
D14/474, 475, 478; 206/308.1, 309, 310,  
307, 493, 387.1; 242/348-348.4, 335; 360/132-135,  
900

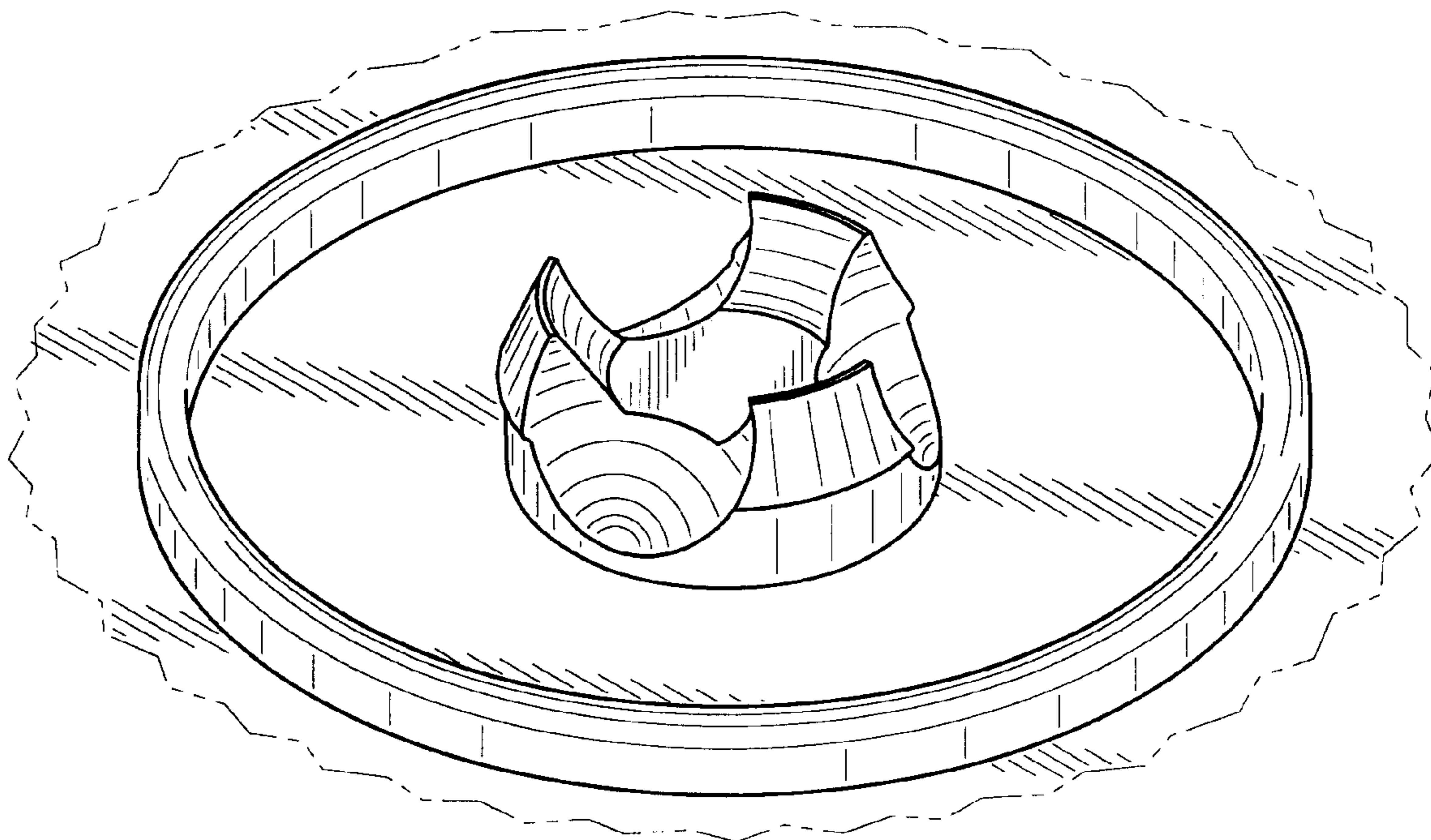
FIG. 1 is a perspective view of the hub for the disk storage container of the present invention;  
FIG. 2 is a top plan view of the hub of FIG. 1;  
FIG. 3 is a front elevational view of FIG. 2;  
FIG. 4 is a rear side elevational view of FIG. 2;  
FIG. 5 is a left side elevational view of FIG. 2;  
FIG. 6 is a right side elevational view of FIG. 2; and,  
FIG. 7 is a reduced scale bottom plan view of the hub mounted on a solid base.

### [56] References Cited

#### U.S. PATENT DOCUMENTS

D. 289,518 4/1987 Kikuchi ..... D14/484

**1 Claim, 2 Drawing Sheets**



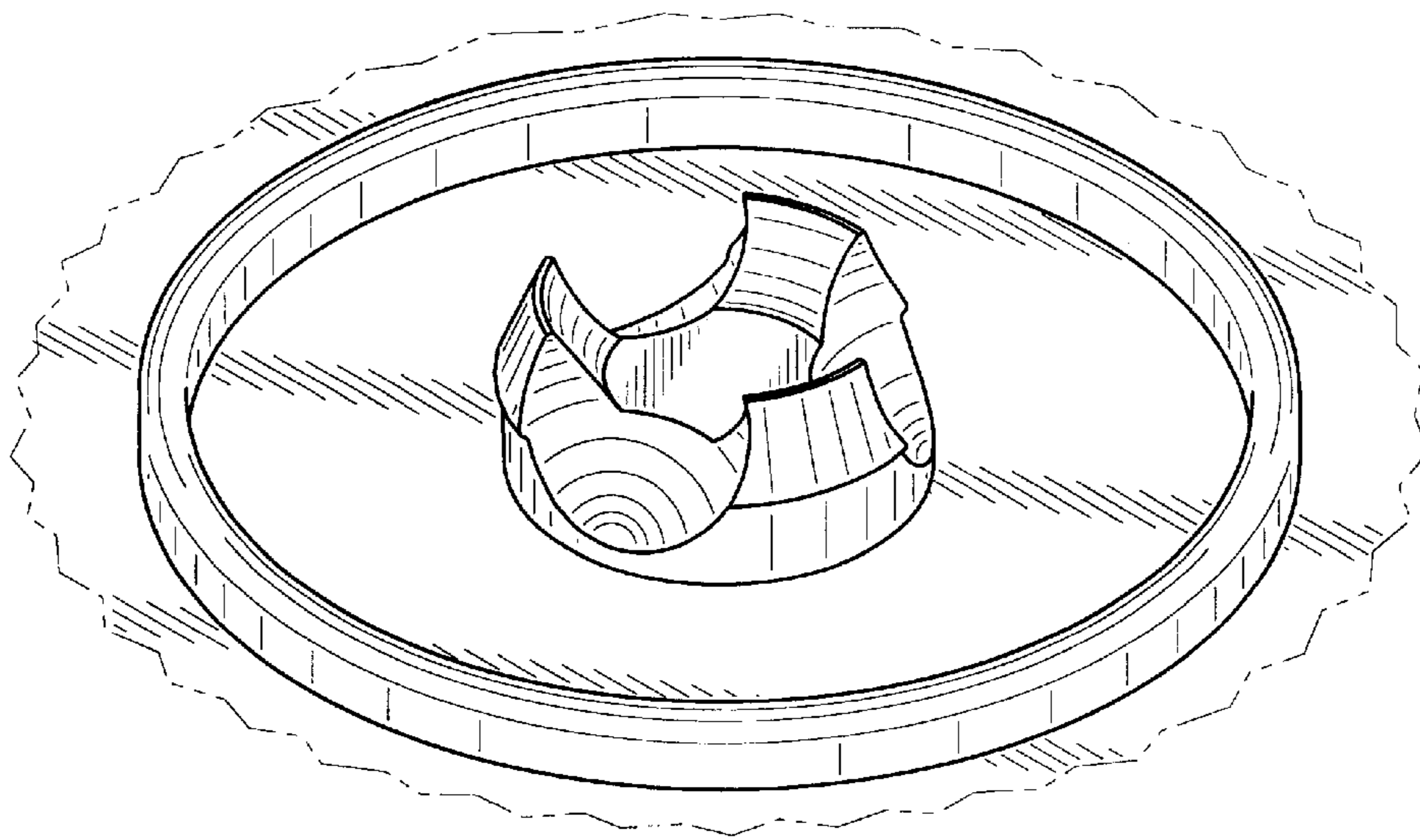


FIG. 1

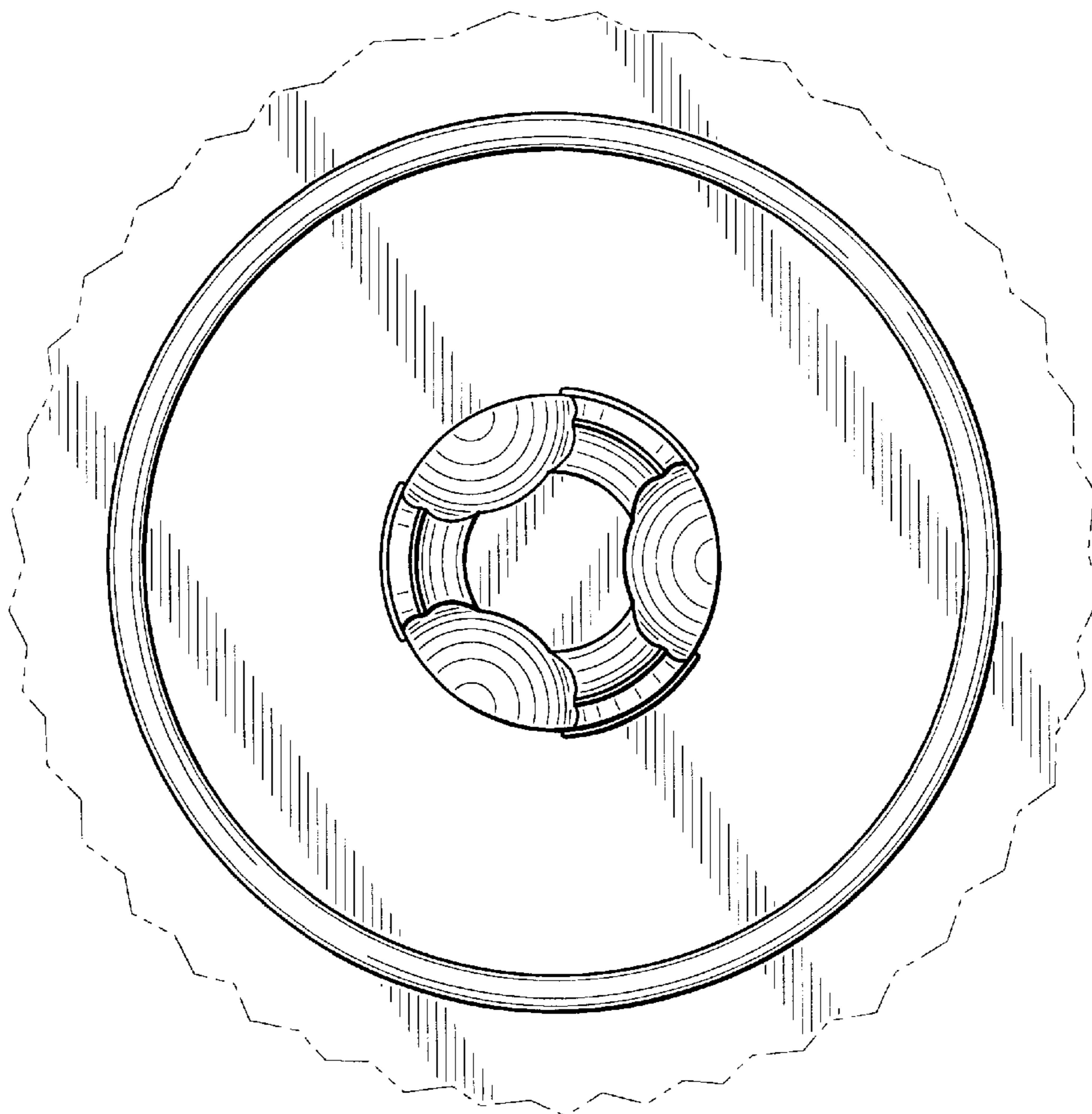


FIG. 2

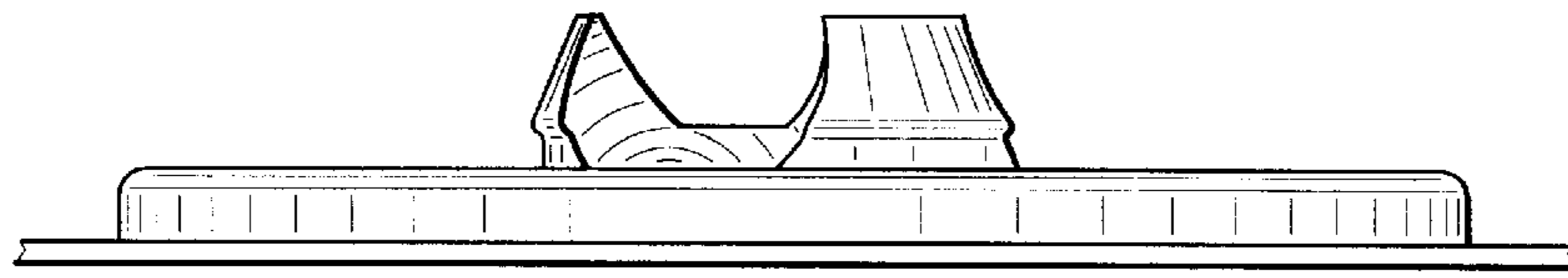


FIG. 3

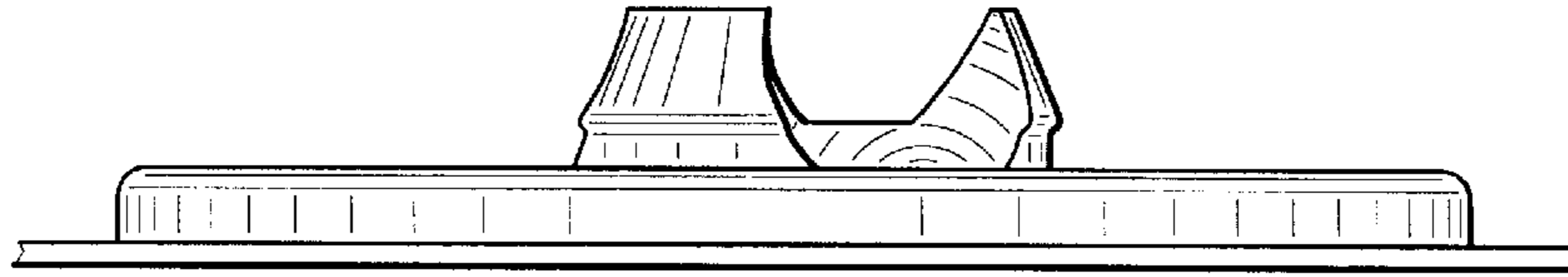


FIG. 4

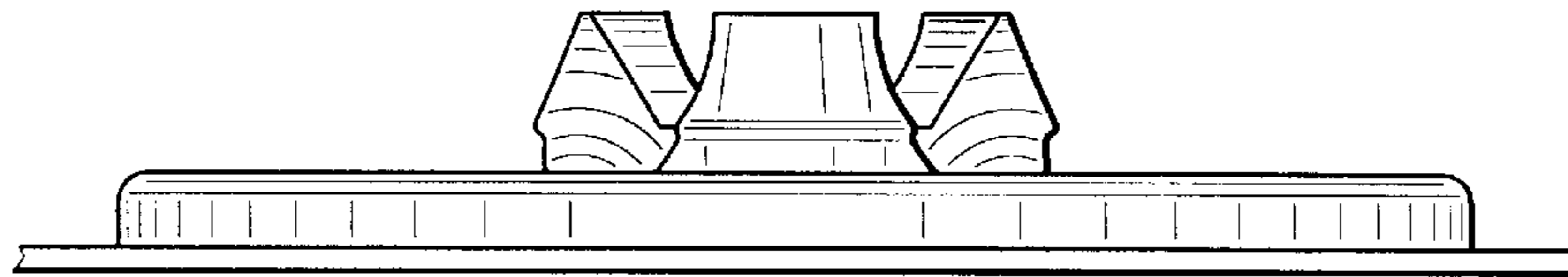


FIG. 5

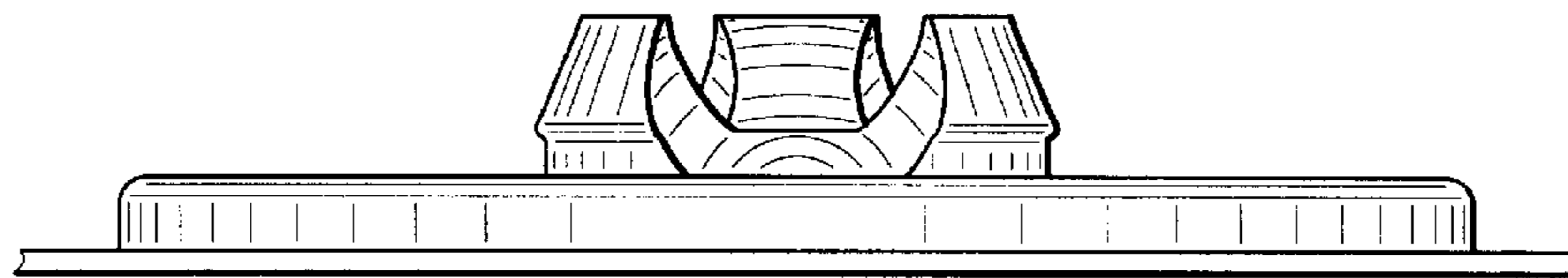


FIG. 6

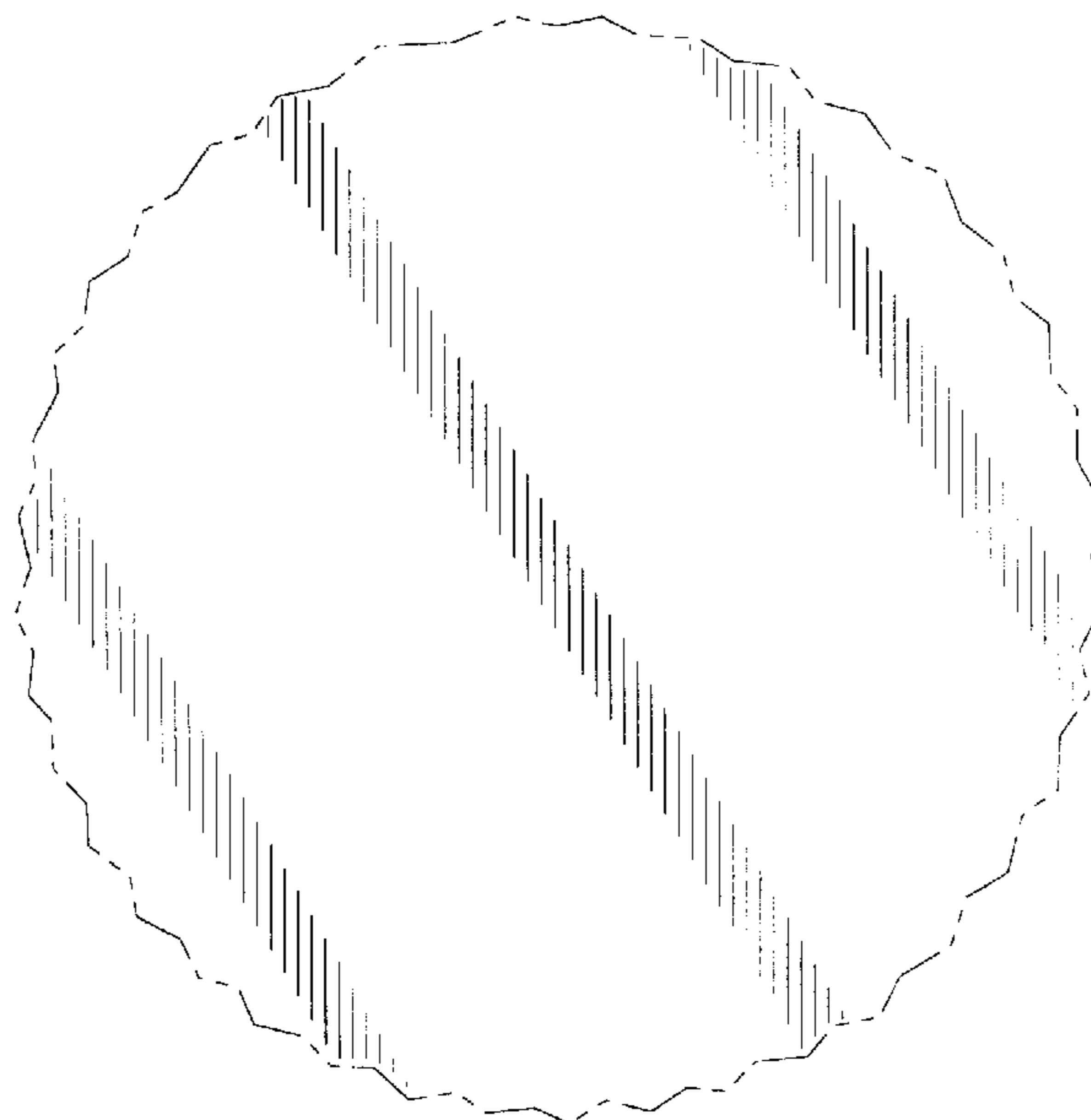


FIG. 7