



US00D434776S

United States Patent [19] Takeuchi

[11] Patent Number: Des. 434,776

[45] Date of Patent: ** Dec. 5, 2000

[54] FACSIMILE TRANSMITTER-RECEIVER

[75] Inventor: Motoaki Takeuchi, Tokyo, Japan

[73] Assignee: Canon Kabushiki Kaisha, Tokyo, Japan

[**] Term: 14 Years

[21] Appl. No.: 29/121,310

[22] Filed: Apr. 6, 2000

[30] Foreign Application Priority Data

Oct. 8, 1999 [JP] Japan 11-027542

[51] LOC (7) Cl. 16-02

[52] U.S. Cl. D14/469

[58] Field of Search D14/462-471,
D14/496, 358, 359; 358/400, 401; D18/36,
37, 50

[56] References Cited

U.S. PATENT DOCUMENTS

D. 331,401 12/1992 Takeuchi D14/118
D. 338,196 8/1993 Takeuchi D14/118
D. 355,905 2/1995 Takeuchi D14/118

D. 355,907 2/1995 Takeuchi D14/118
D. 370,905 6/1996 Ishio D14/469
D. 376,141 12/1996 Takeuchi D14/118
D. 381,328 7/1997 Nguyen et al. D14/462
D. 395,332 6/1998 Leong et al. D14/470
D. 398,917 9/1998 Senshiki D14/470
5,172,243 12/1992 Hayashi et al. 358/400
5,387,980 2/1995 Baitz et al. 358/401 X

Primary Examiner—Prabhakar Deshmukh
Attorney, Agent, or Firm—Fitzpatrick, Cella, Harper & Scinto

[57] CLAIM

The ornamental design for a facsimile transmitter-receiver, as shown and described.

DESCRIPTION

FIG. 1 is a front view of a facsimile transmitter-receiver showing my new design;
FIG. 2 is a rear view thereof;
FIG. 3 is a top plan view thereof;
FIG. 4 is a bottom plan view thereof;
FIG. 5 is a left side view thereof;
FIG. 6 is a right side view thereof; and,
FIG. 7 is a perspective view thereof.

1 Claim, 5 Drawing Sheets

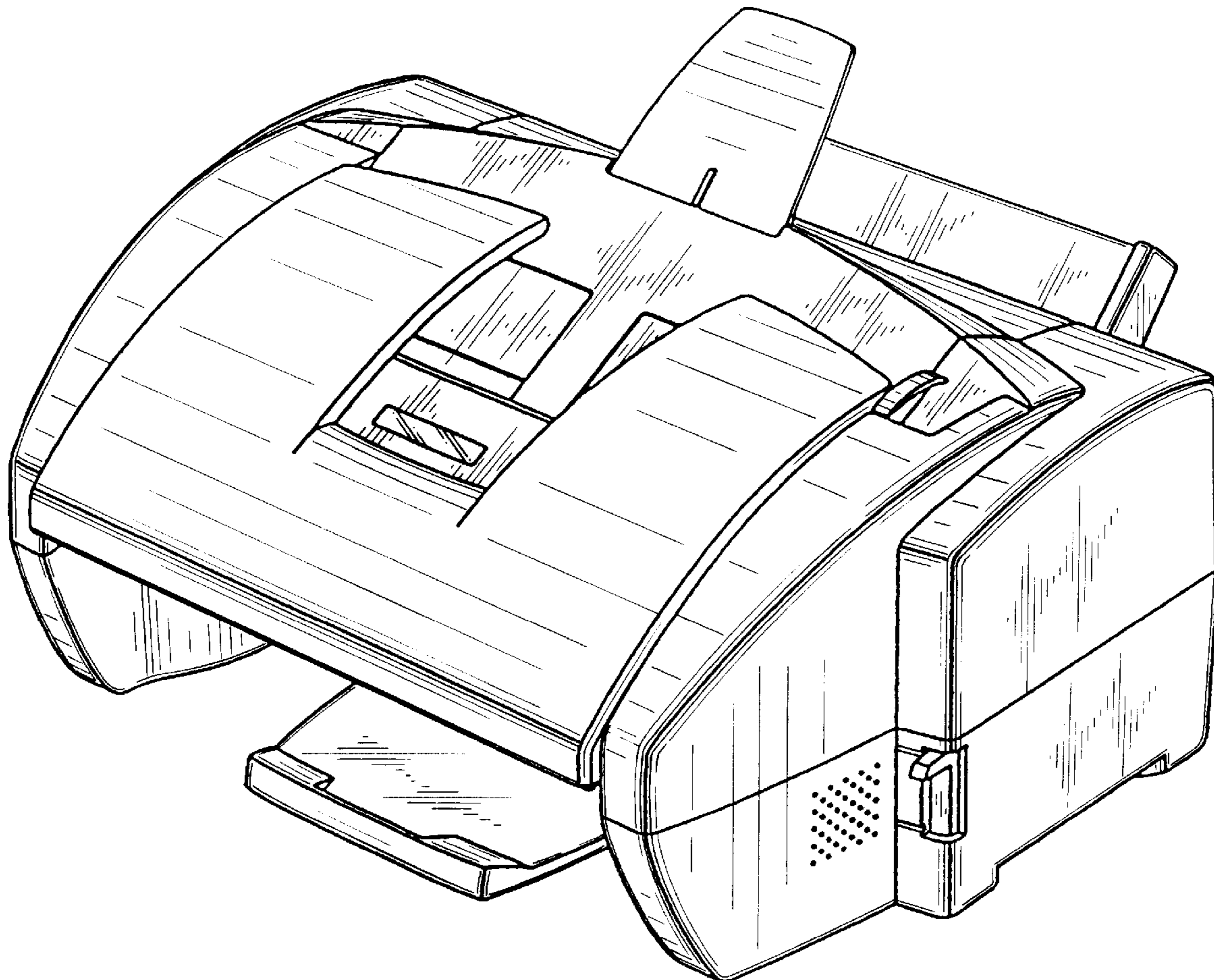


FIG. 1

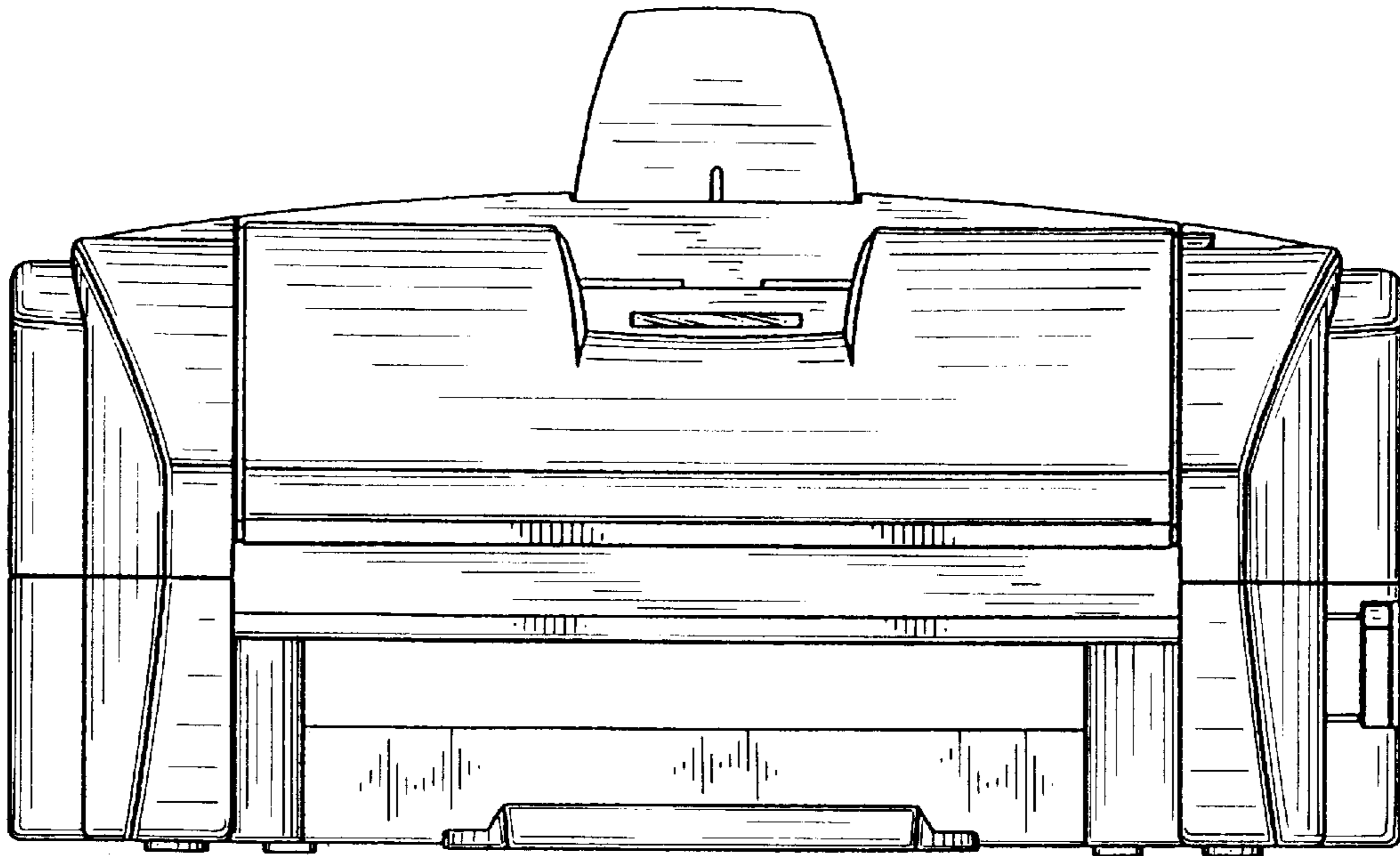


FIG. 2

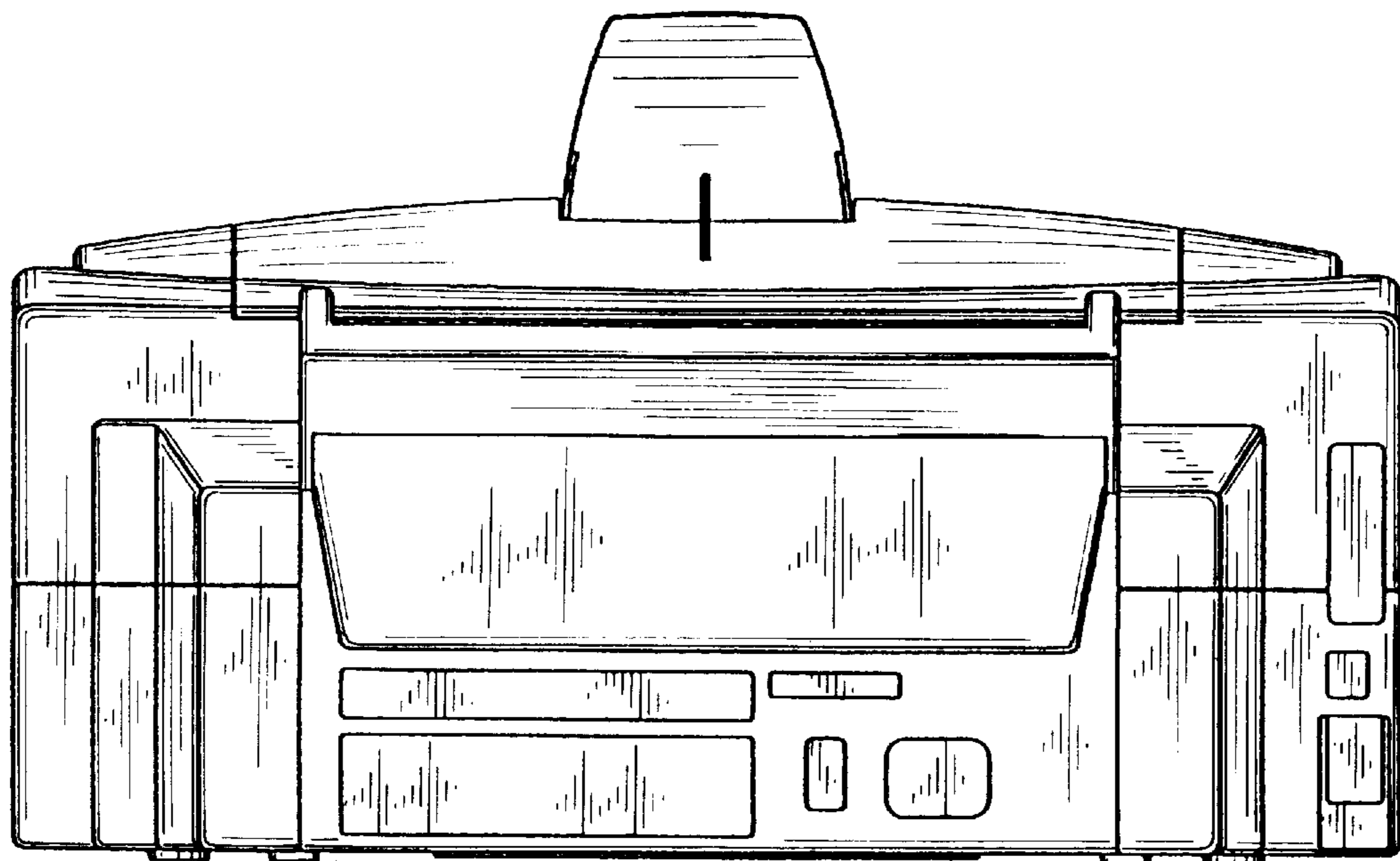


FIG. 3

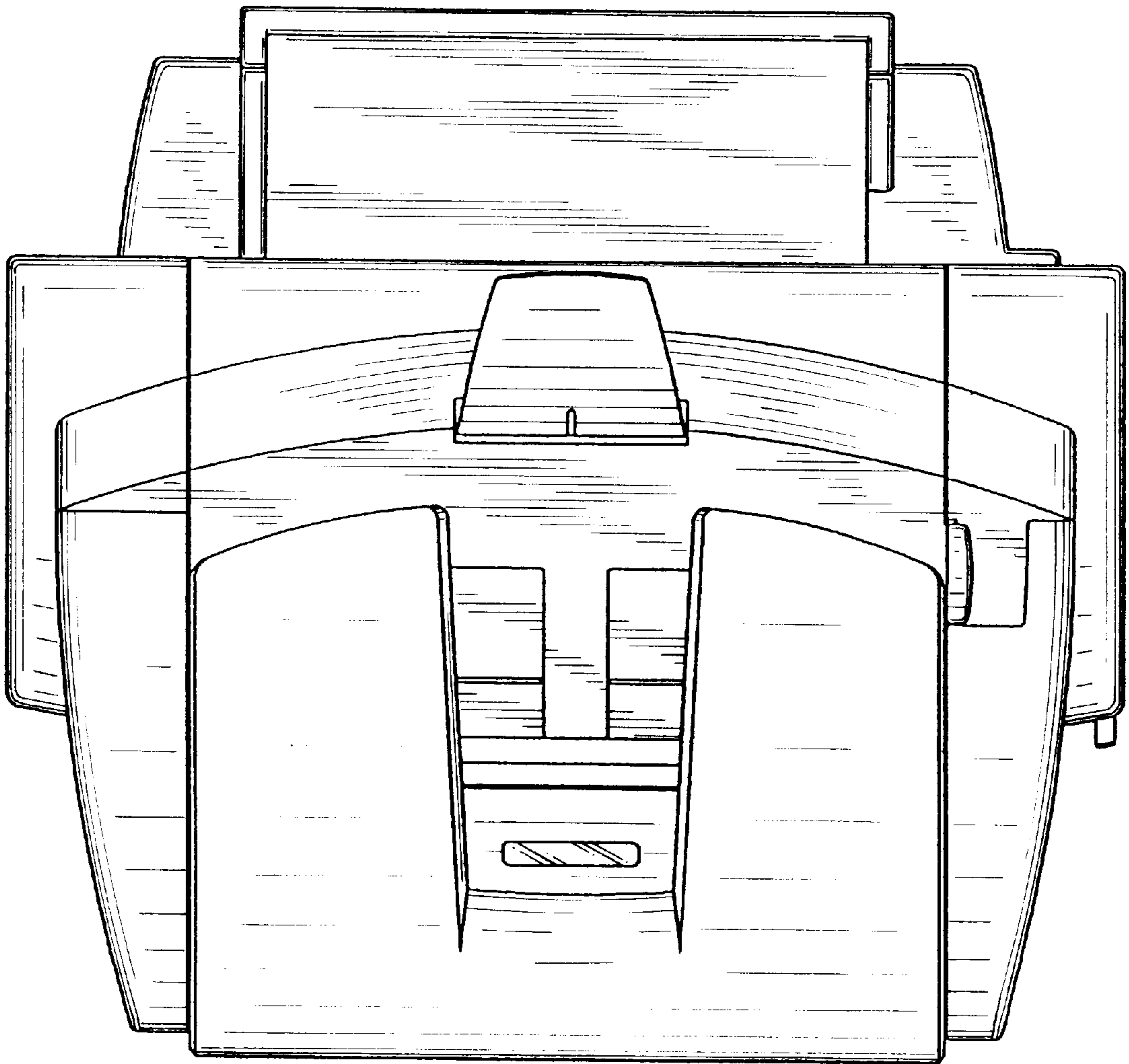


FIG. 4

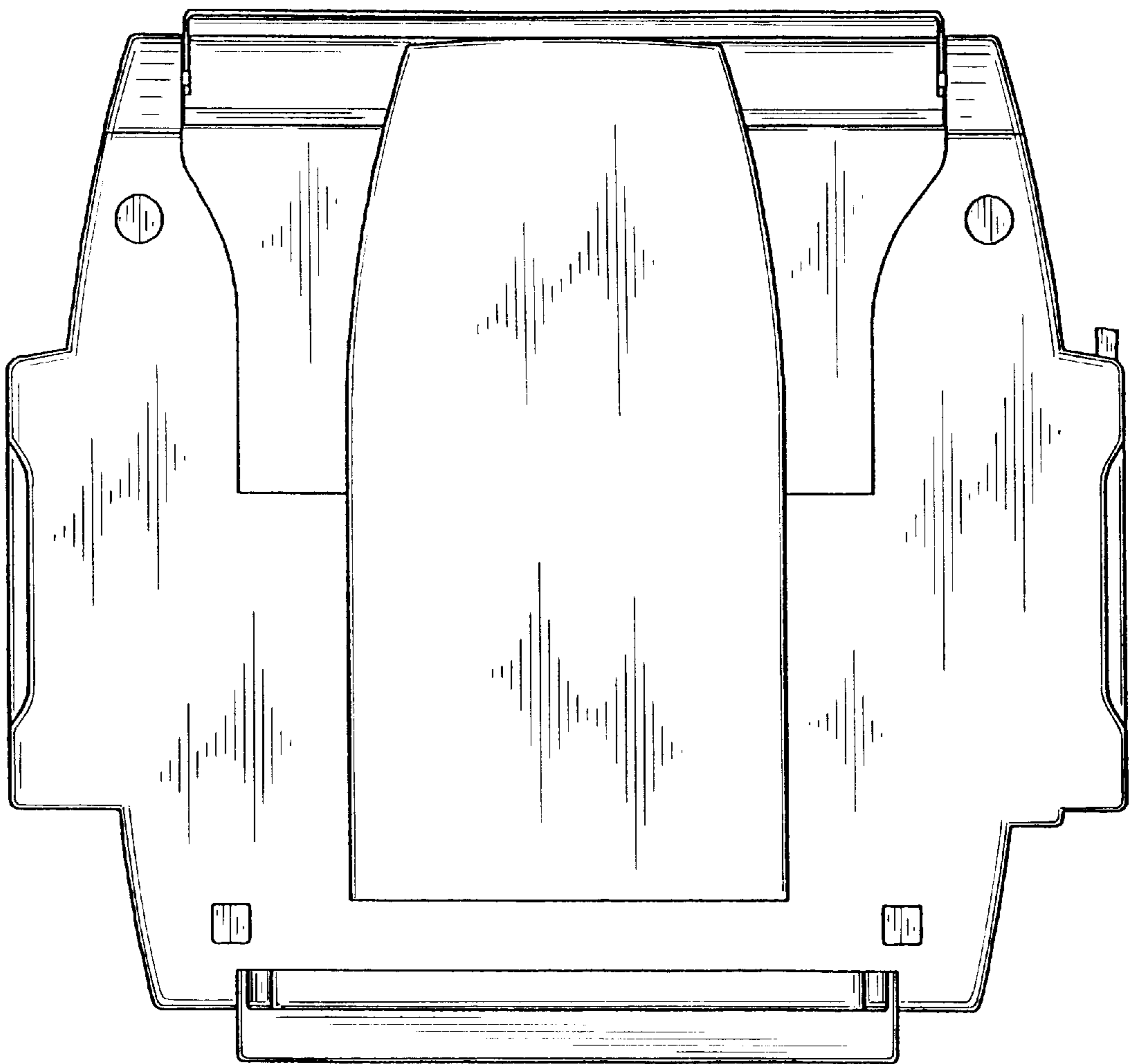


FIG. 5

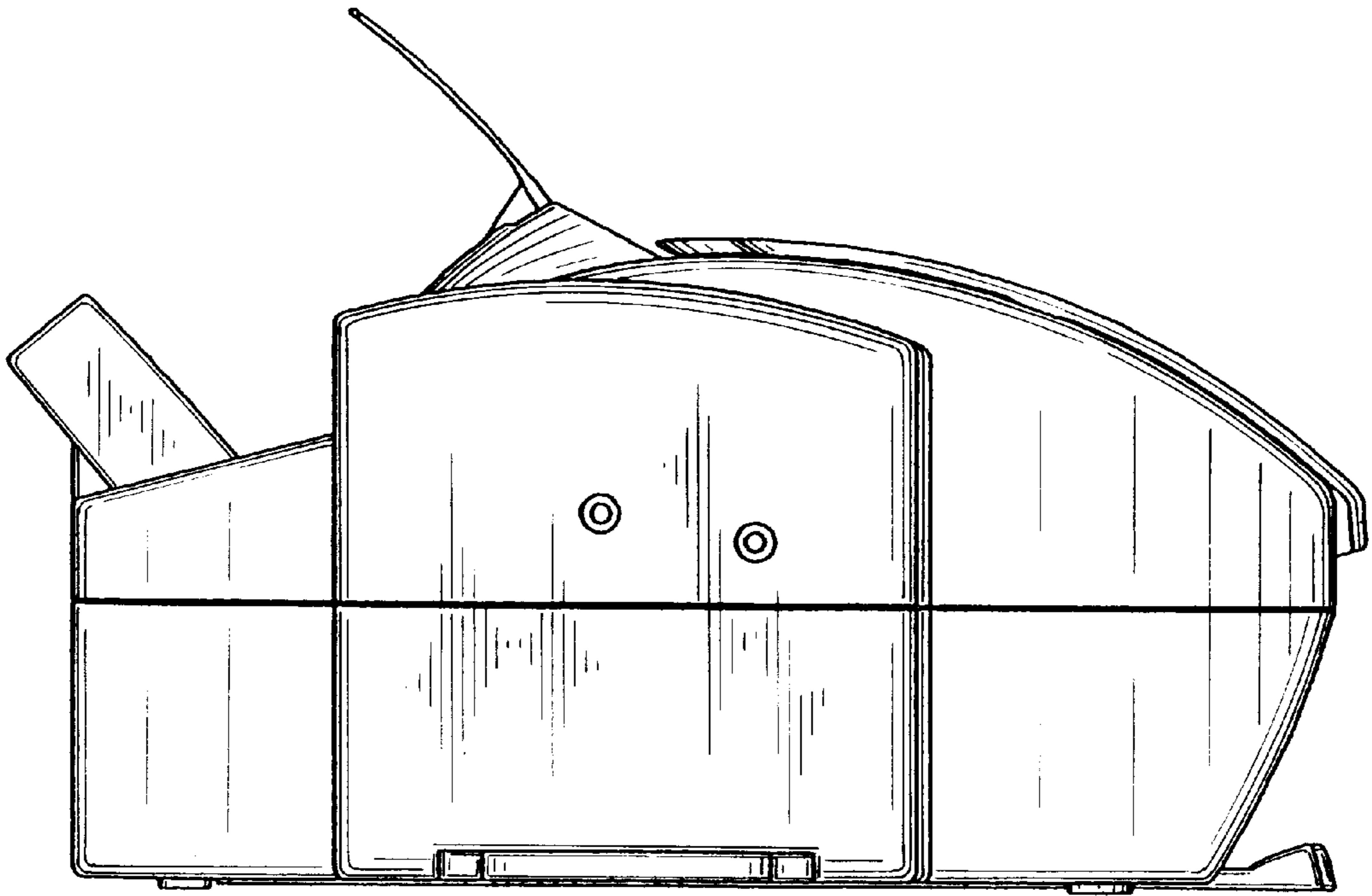
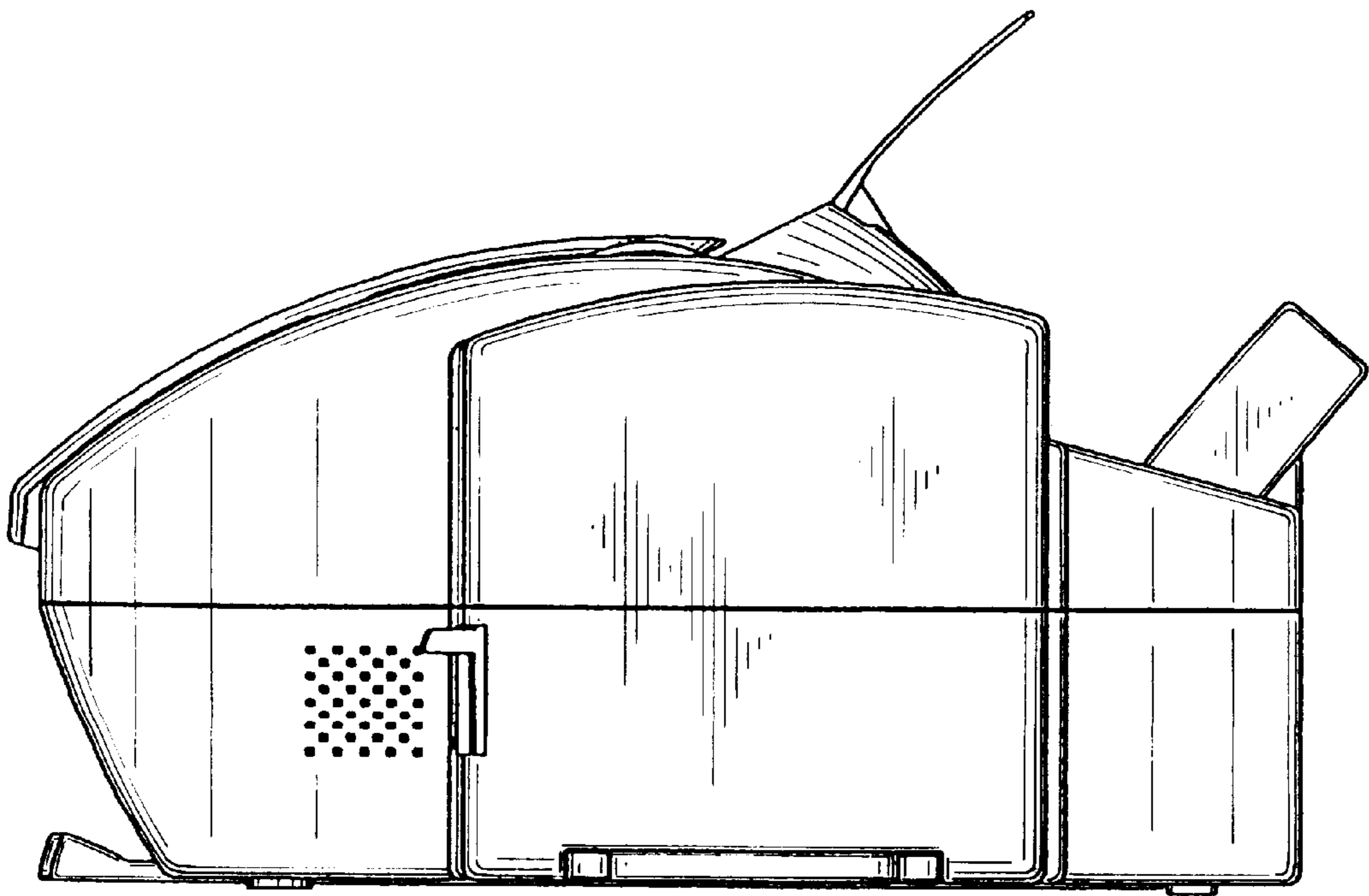


FIG. 6



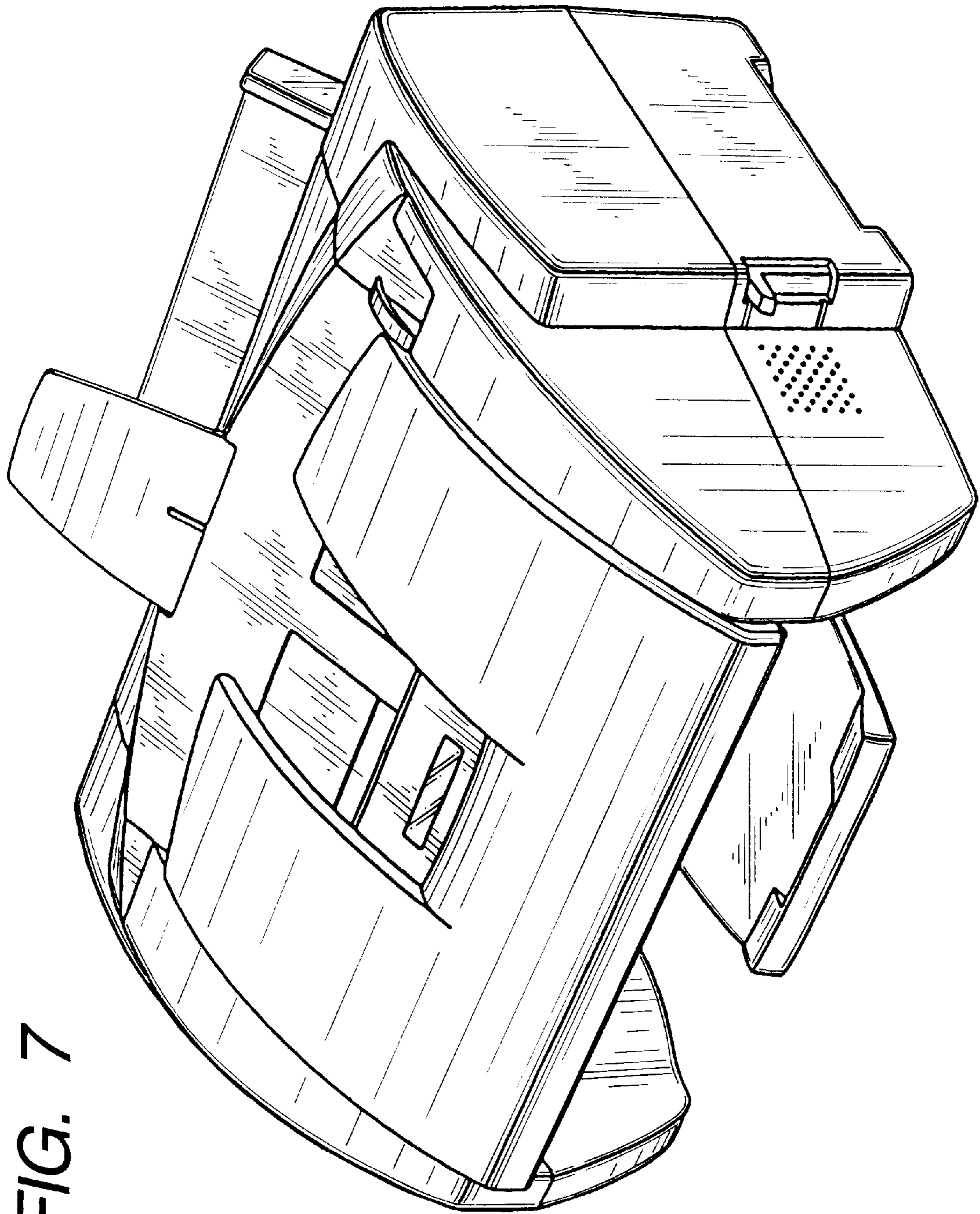


FIG. 7