

US00D434772S

United States Patent [19]
Suzuki

[11] **Patent Number: Des. 434,772**
[45] **Date of Patent: ** Dec. 5, 2000**

[54] **COMBINED CAMERA AND BUTTON FOR AN ELECTRONIC COMPUTER**

[75] Inventor: **Shogo Suzuki**, Matsudo, Japan

[73] Assignee: **Kabushiki Kaisha Toshiba**, Kawasaki, Japan

[**] Term: **14 Years**

[21] Appl. No.: **29/114,140**

[22] Filed: **Nov. 19, 1999**

[30] **Foreign Application Priority Data**

May 21, 1999 [JP] Japan 11-13295

[51] **LOC (7) Cl.** **14-02**

[52] **U.S. Cl.** **D14/439; D16/202**

[58] **Field of Search** D14/314-16, 318, D14/432, 439, 455, 466; D8/323-29; 16/267, 285, 342, 354; 361/681, 683, 687, 755; D16/200-5; 348/373-76; 396/535-41

[56] **References Cited**

U.S. PATENT DOCUMENTS

- D. 323,156 1/1992 Nishida .
- D. 357,929 5/1995 Pierce .
- D. 384,948 10/1997 Karidis et al. .
- D. 385,475 10/1997 Bolinas et al. .
- D. 386,480 11/1997 Daly et al. .
- D. 394,868 6/1998 Lee .
- D. 402,968 12/1998 Wolff et al. .
- D. 409,583 5/1999 Nishida et al. .
- D. 422,993 4/2000 Storti et al. .
- D. 425,774 5/2000 Ford et al. .
- 5,237,488 8/1993 Moser et al. .
- 5,507,072 4/1996 Youn .
- 5,901,035 5/1999 Foster et al. .
- 5,948,086 9/1999 Lin .
- 5,987,537 11/1999 Brainard et al. .
- 6,049,290 4/2000 Halstead .

FOREIGN PATENT DOCUMENTS

- 926145 5/1995 Japan .
- 1023784 10/1998 Japan .
- 1042022 6/1999 Japan .

OTHER PUBLICATIONS

Falcon Microsystems, Multiplatform Hardware, Software and Networking Solutions, vol. 4, No. 1, p. 33, Spring 1994.
 NEC Catalog MC-R520, exact date unknown but obtained before May 21, 1999.
 Hitachi Seisakusho Catalog, Flora 1010 Note Series, May 1995.
 Ascentia 910N Catalog, AST Research, Inc., Aug. 10, 1995.
 Novatel Wireless Catalog, Contact, Aug. 10, 1998.

Primary Examiner—M. H. Tung
Attorney, Agent, or Firm—Banner & Witcoff, Ltd.

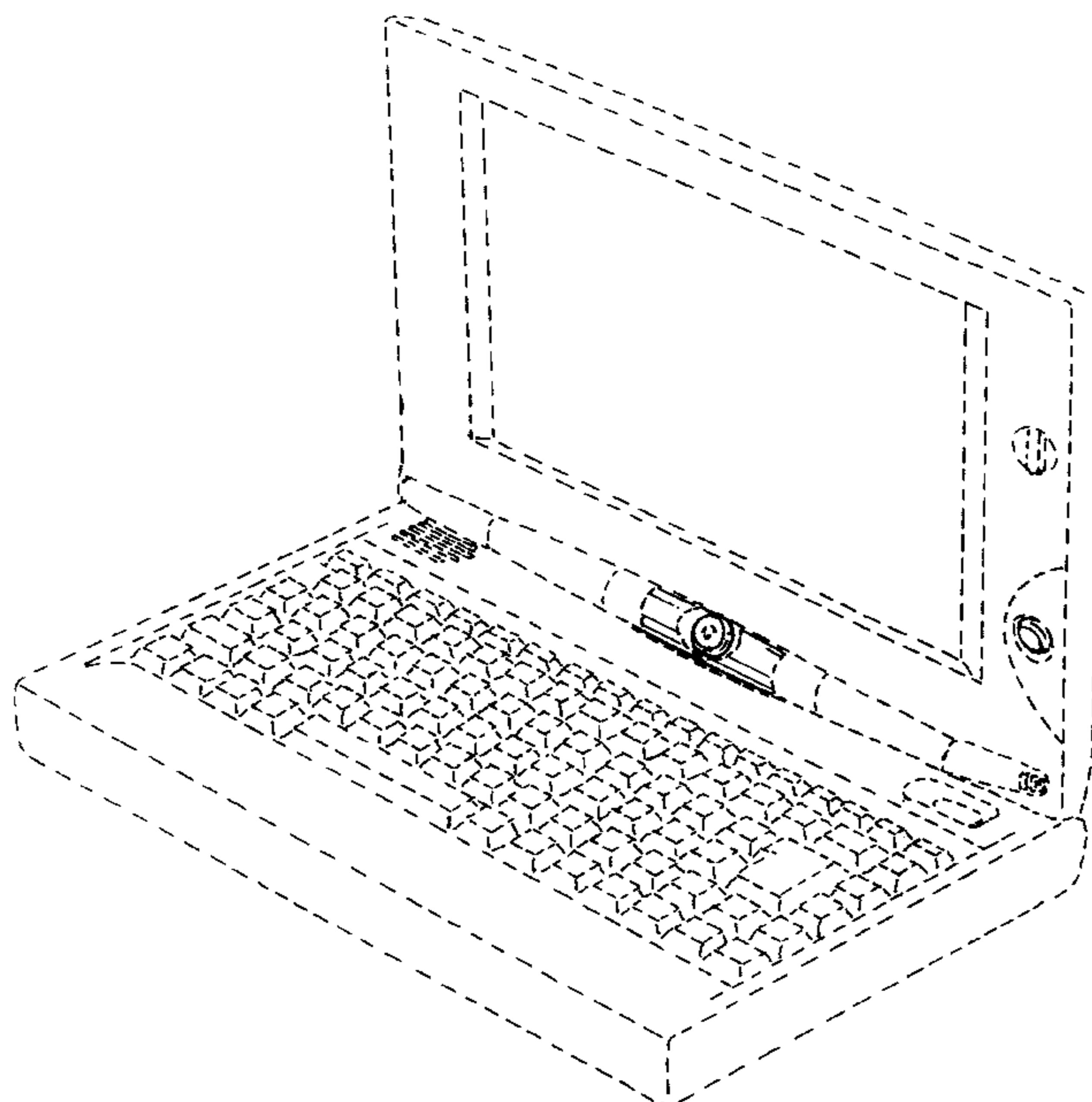
[57] **CLAIM**

The ornamental design for a combined camera and button for an electronic computer, as shown and described.

DESCRIPTION

FIG. 1 is a top, front and right side perspective view of a combined camera and button for an electronic computer showing my new design;
 FIG. 2 is a front elevational view thereof;
 FIG. 3 is a top plan view thereof;
 FIG. 4 is a bottom plan view thereof;
 FIG. 5 is a right side elevational view thereof;
 FIG. 6 is a left side elevational view thereof;
 FIG. 7 is a rear elevational view thereof; and,
 FIG. 8 is a top plan view thereof, the lid is shown in a closed position, and the camera is shown in a moved position.
 The broken line showing of the remainder of the electronic computer is for illustrative purposes only and forms no part of the claimed design.

1 Claim, 4 Drawing Sheets



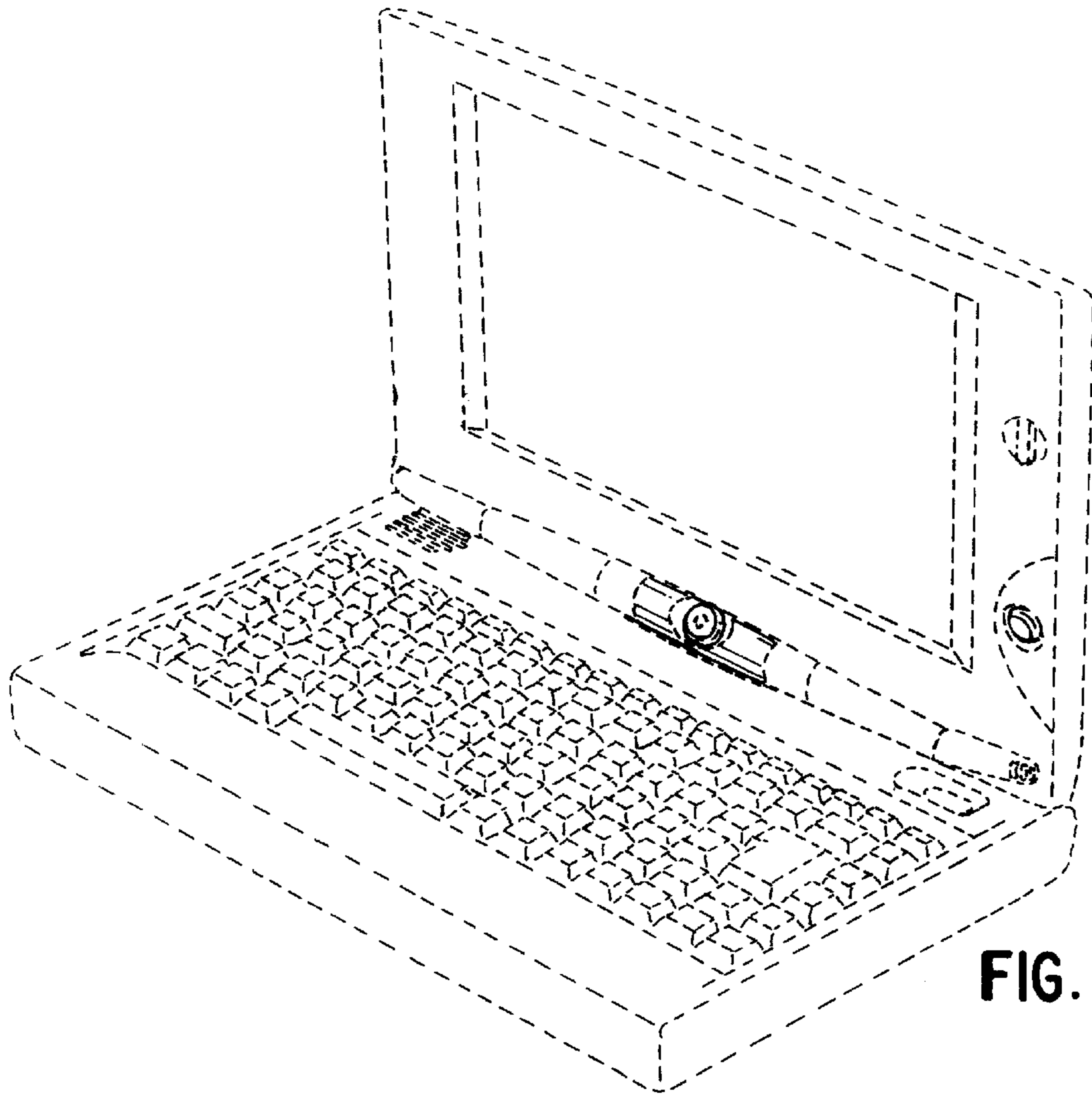


FIG. 1

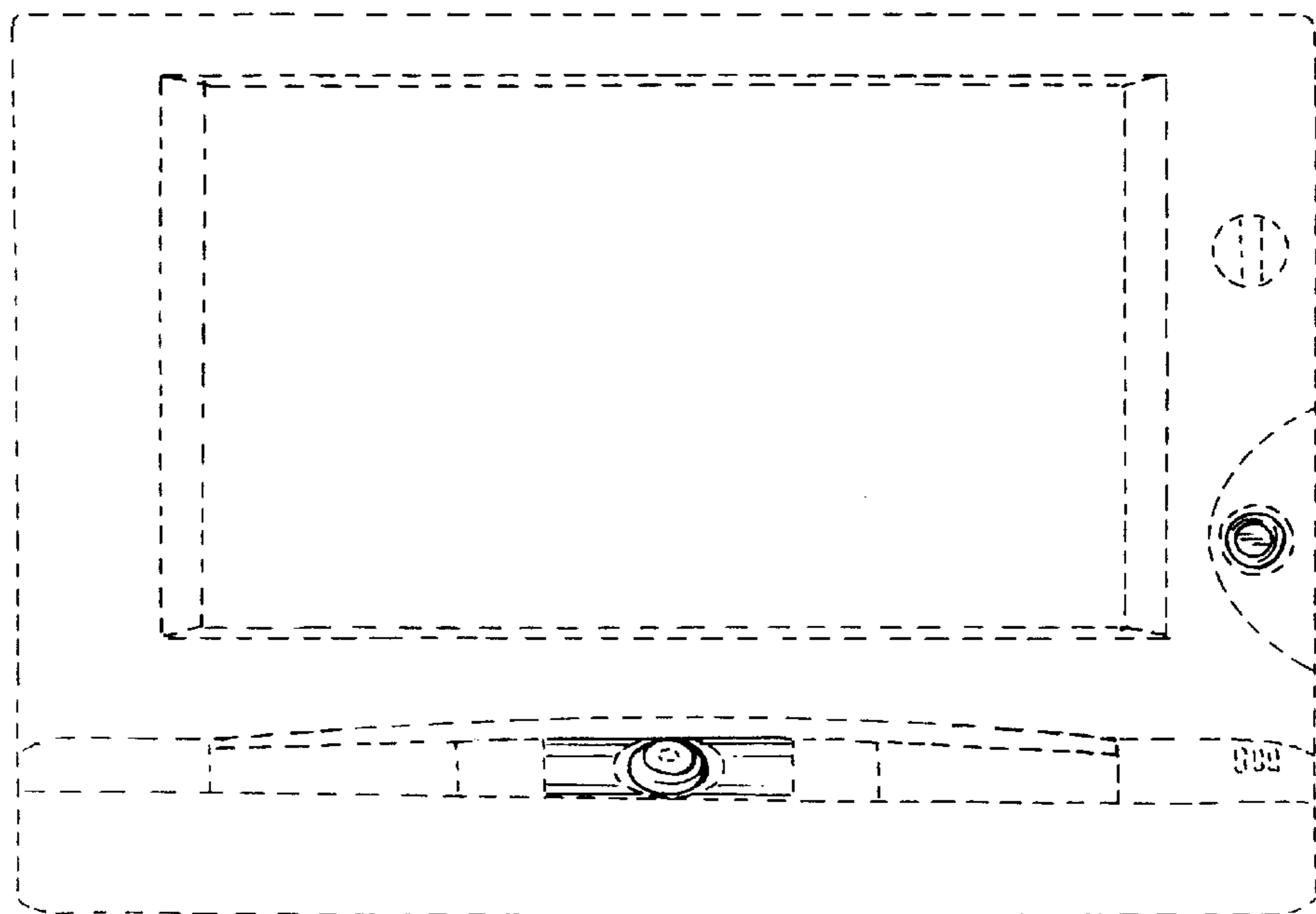


FIG. 2

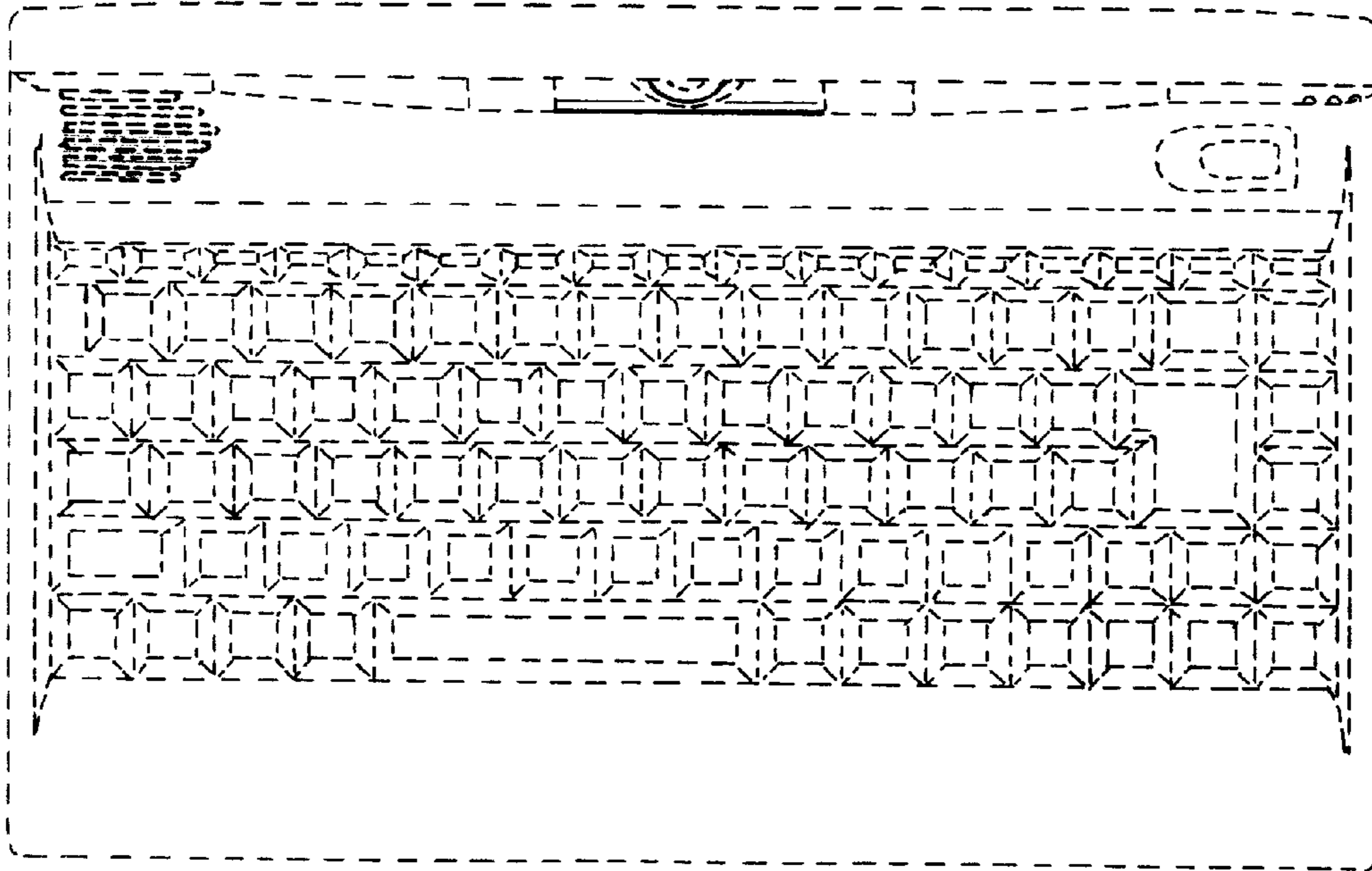


FIG. 3

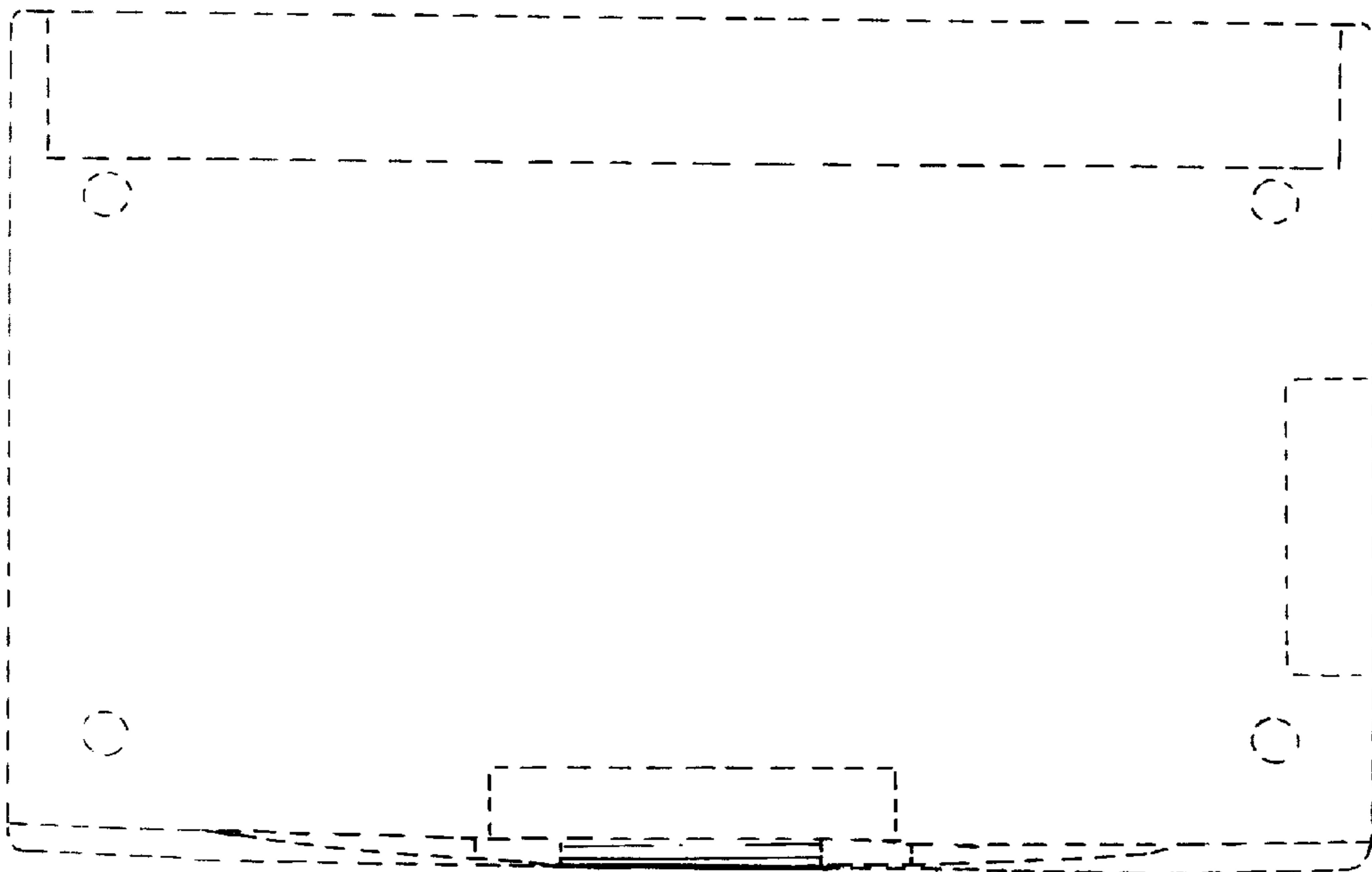


FIG. 4

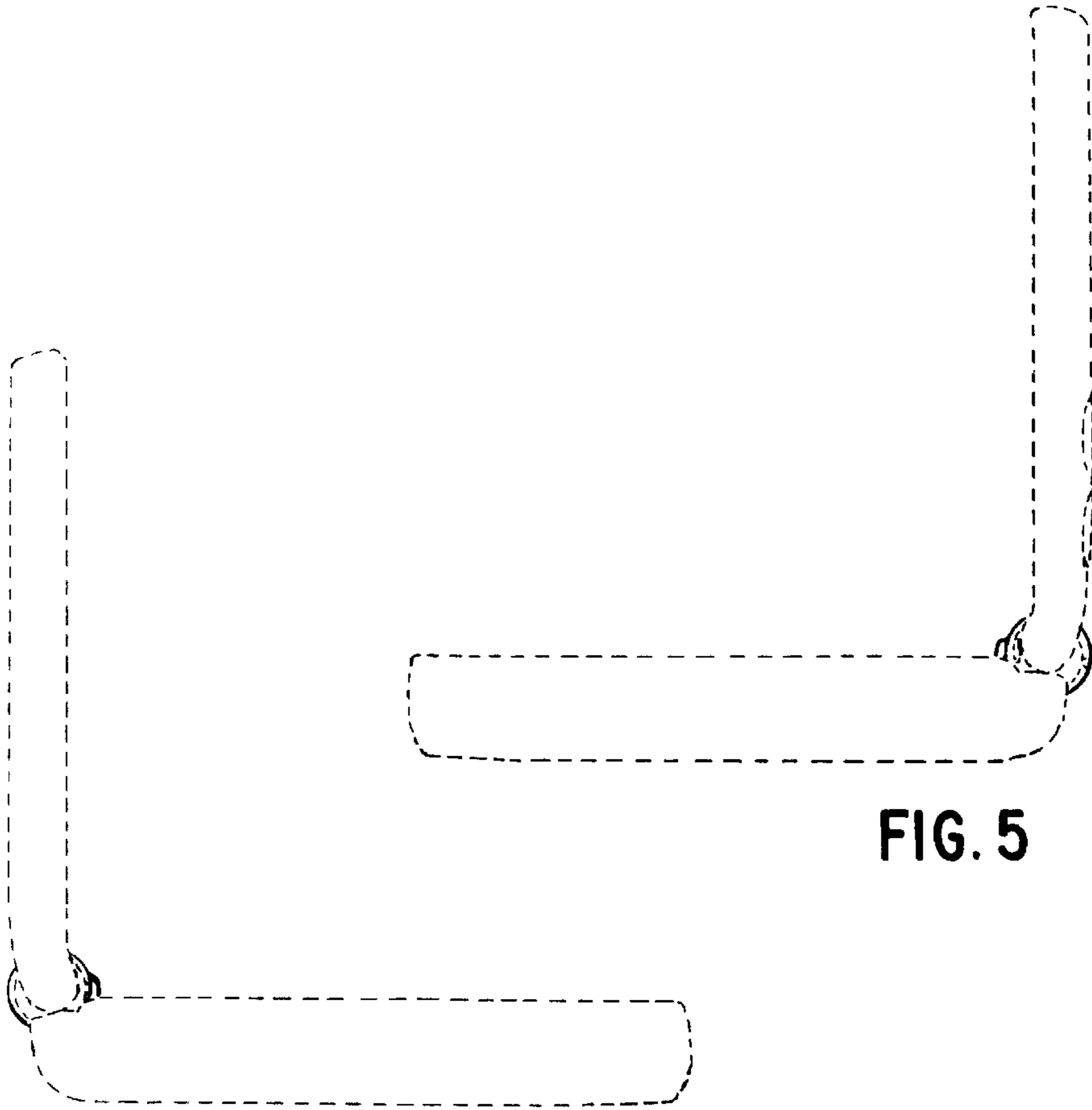


FIG. 5

FIG. 6

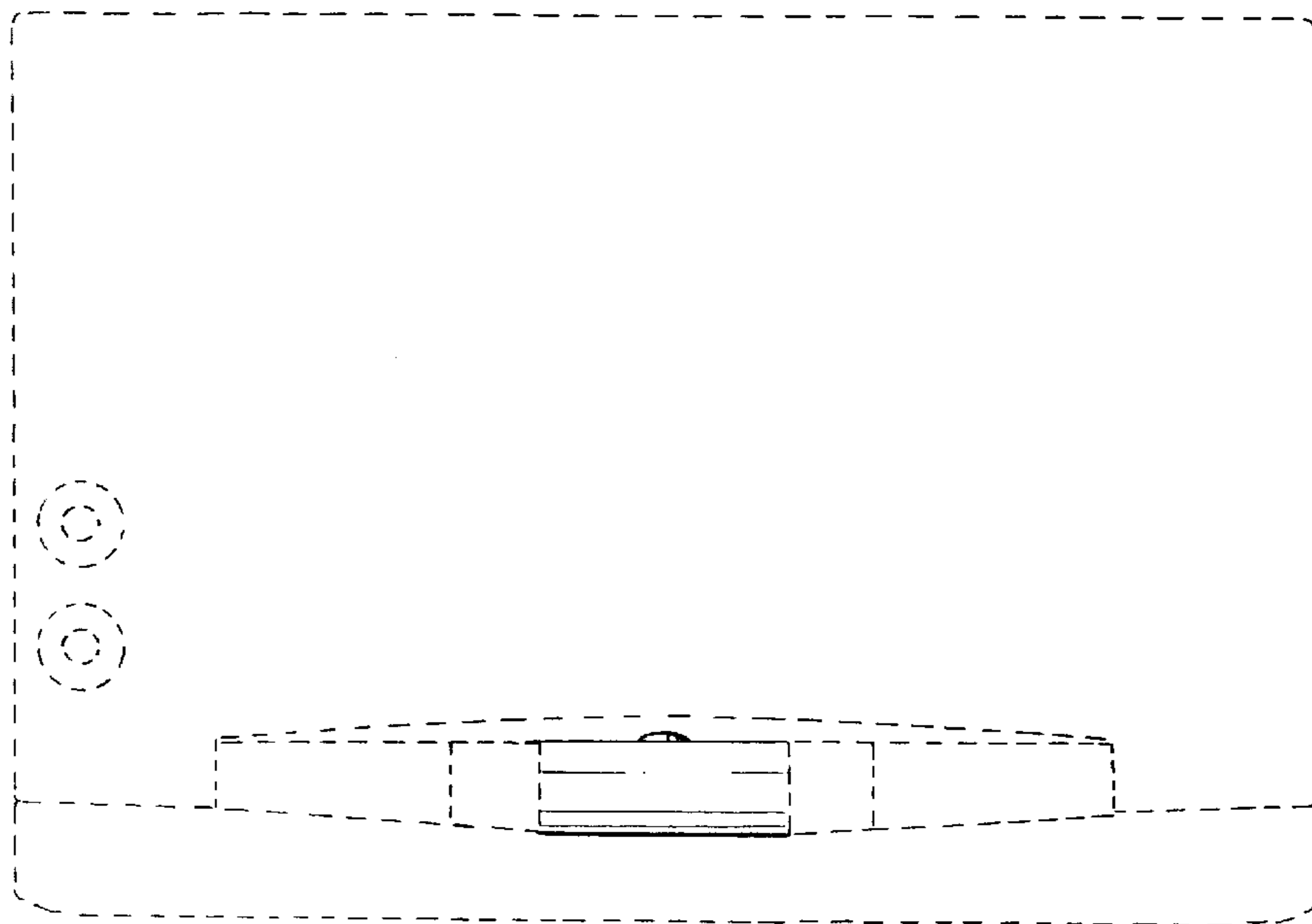


FIG. 7

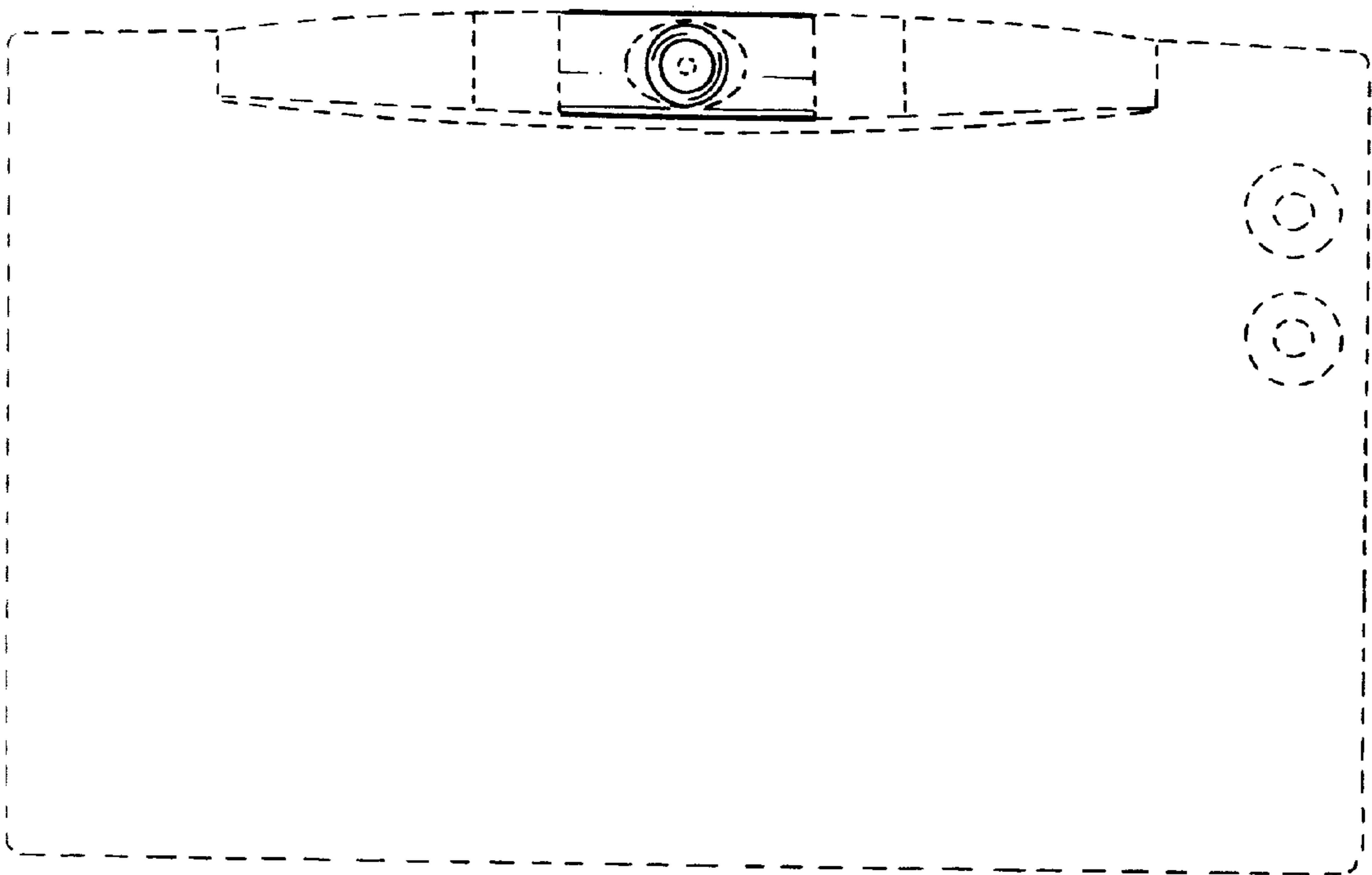


FIG. 8