



US00D434771S

United States Patent [19]
Ohtani

[11] **Patent Number: Des. 434,771**
[45] **Date of Patent: ** Dec. 5, 2000**

[54] **UPPER METAL COVER FOR COMPACT FLASH CARD**

[75] Inventor: **Yutaka Ohtani**, Tokyo, Japan

[73] Assignee: **Honda Tsushin Kogyo Co., Ltd.**, Tokyo, Japan

[**] Term: **14 Years**

[21] Appl. No.: **29/118,129**

[22] Filed: **Feb. 7, 2000**

[30] **Foreign Application Priority Data**

Oct. 5, 1999 [JP] Japan 11-26888

[51] **LOC (7) Cl.** **14-02**

[52] **U.S. Cl.** **D14/436**

[58] **Field of Search** D14/435-8; D19/9-10; 40/124.01; 283/75-77, 48.1, 83, 107, 901; 235/382.5, 375, 487-94, 441-3; 361/736-7, 752; D13/182; 174/52.1; 439/152

[56] **References Cited**

U.S. PATENT DOCUMENTS

- D. 320,225 9/1991 Ido et al. .
- D. 370,904 6/1996 Nakata et al. .
- D. 375,941 11/1996 Kerklaan .
- D. 398,604 9/1998 Aoki .
- D. 405,441 2/1999 Saito et al. .

- D. 410,913 6/1999 Saito et al. .
- D. 414,481 9/1999 Wu .
- D. 415,132 10/1999 Homma et al. .
- D. 416,884 11/1999 Hirai et al. .
- D. 416,885 11/1999 Hirai et al. .
- D. 416,886 11/1999 Hirai et al. .
- 4,149,027 4/1979 Asher et al. .
- 4,941,835 7/1990 Lasmayoux et al. .
- 5,038,250 8/1991 Uenaka et al. .
- 5,107,073 4/1992 Steffen .
- 5,242,310 9/1993 Leung .
- 5,397,857 3/1995 Farquhar et al. .

Primary Examiner—M. H. Tung
Attorney, Agent, or Firm—Arent Fox Kitner Plotkin & Kahn PLLC

[57] **CLAIM**

The original design for upper metal cover for compact flash card, as shown and described.

DESCRIPTION

FIG. 1 is a perspective view of the upper metal cover for compact flash card showing my new design; FIG. 2 is a front elevational view thereof; FIG. 3 is a rear elevational view thereof; FIG. 4 is a right side elevational view thereof, the left side is a mirror image; FIG. 5 is a top plan view thereof; and, FIG. 6 is a bottom plan view thereof.

1 Claim, 2 Drawing Sheets

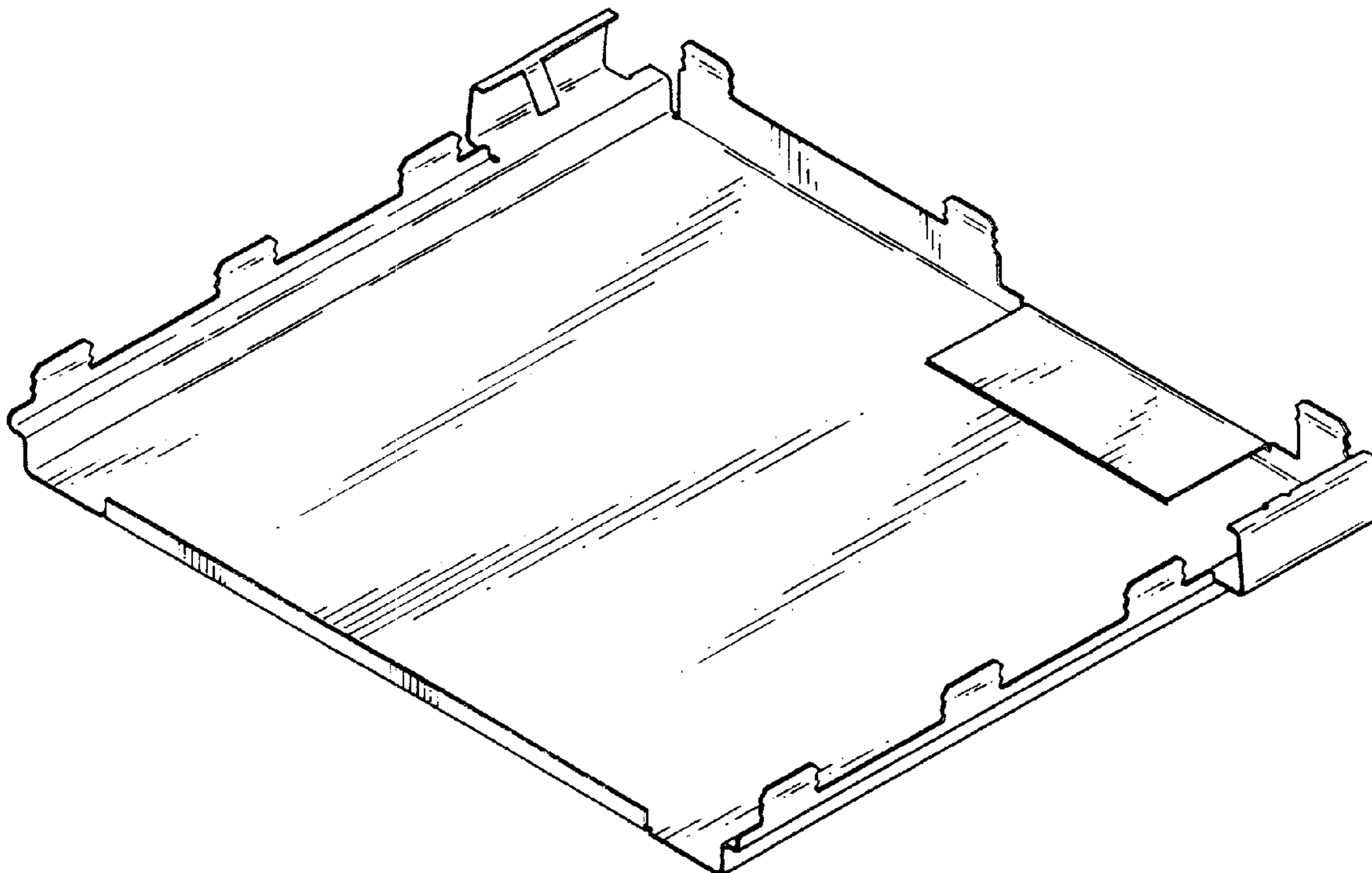


FIG. 1

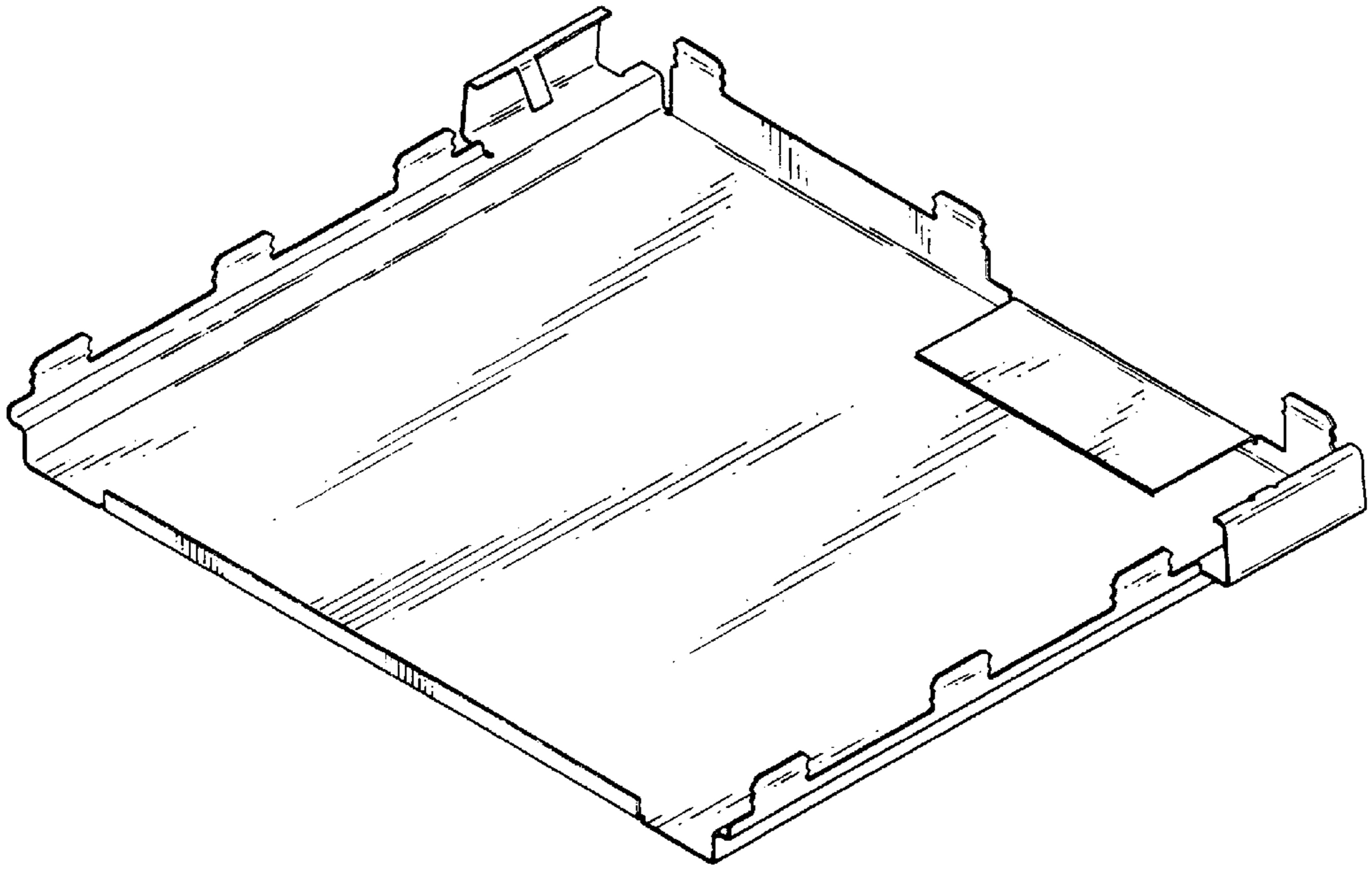


FIG. 2

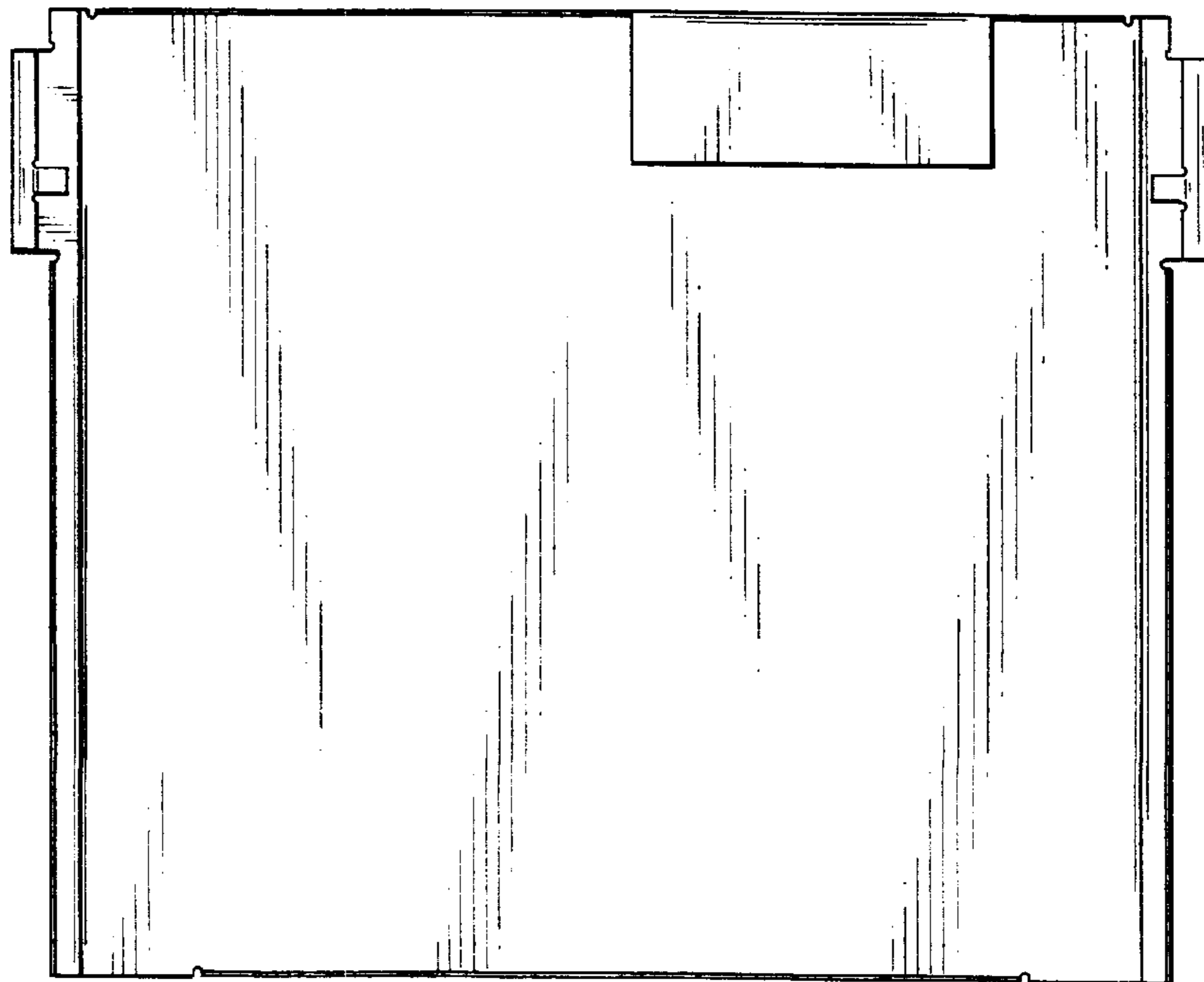


FIG. 3

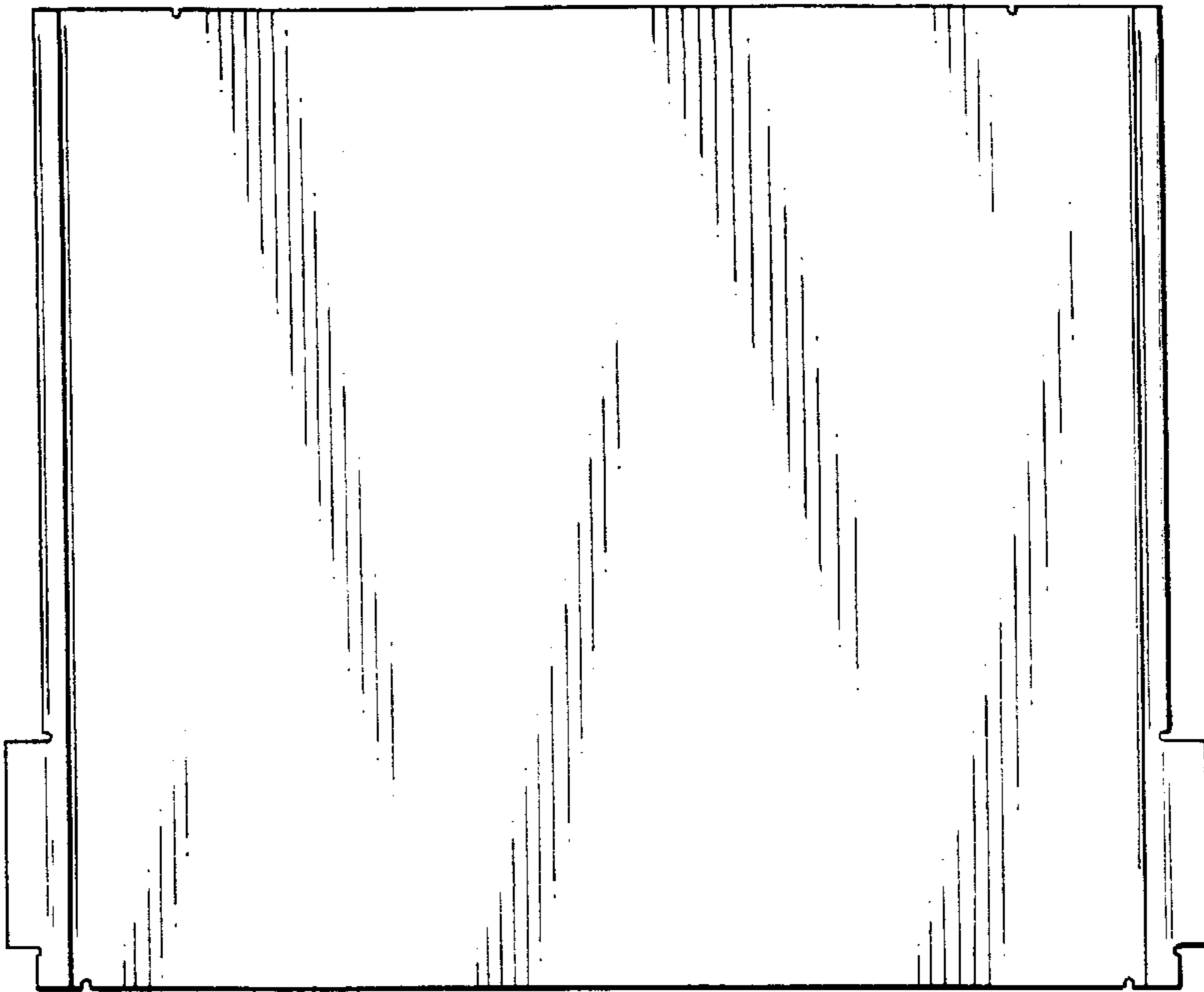


FIG. 4

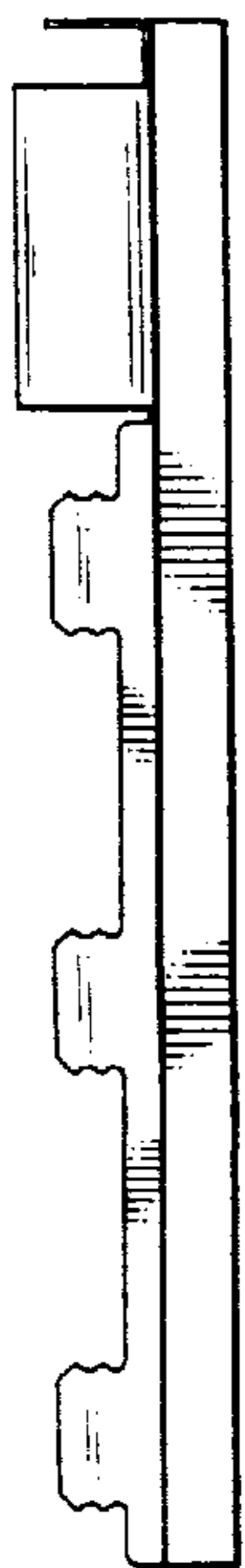


FIG. 5

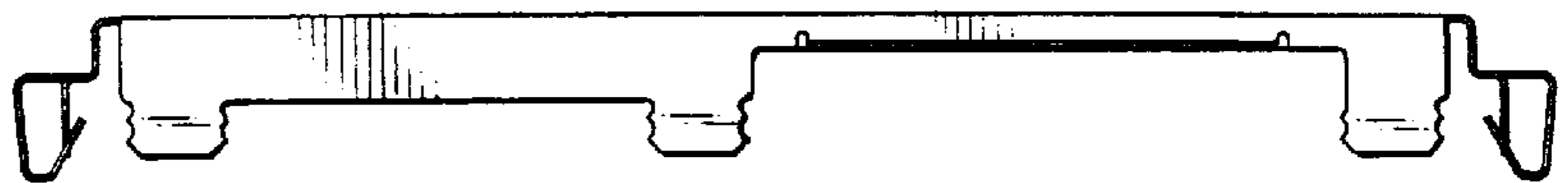


FIG. 6

