



US00D434767S

United States Patent [19]

[11] **Patent Number: Des. 434,767**

Elkins et al.

[45] **Date of Patent: ** Dec. 5, 2000**

[54] **INTELLIGENT KEYBOARD AND CALCULATOR**

D. 311,908 11/1990 Molyneux D14/345
D. 333,298 2/1993 Raslowsky et al. D14/345

[76] Inventors: **Erich C. Elkins**, 1340 Washington St., #15, San Francisco, Calif. 94109; **Kelly R. Kodama**, 3 Corwin Dr., Alamo, Calif. 94507; **Jeffrey T. Haller**, 2723 S. Norfolk St., San Mateo, Calif. 94403; **Anthony P. Dohi**, 722 Park Ave. Unit A, South Pasadena, Calif. 91030

Primary Examiner—Freda Nunn

[**] Term: **14 Years**

[57] **CLAIM**

[21] Appl. No.: **29/112,929**

The ornamental design for an intelligent keyboard and calculator, as shown and described.

[22] Filed: **Oct. 21, 1999**

DESCRIPTION

[51] **LOC (7) Cl.** **14-02**

FIG. 1 is a perspective view of the ornamental design of an intelligent keyboard and calculator in the open position with the cover raised to reveal the keyboard and screen;

[52] **U.S. Cl.** **D14/396; D14/345**

FIG. 2 Is a front elevational view thereof in the closed position;

[58] **Field of Search** D14/315, 320, D14/345, 391, 396; D18/1, 2, 7, 6; 345/168; 364/708.1

FIG. 3 is a right side elevational view thereof;

FIG. 4 Is a left side elevational view thereof;

FIG. 5 is a rear elevational view thereof;

FIG. 6 is a top plan view thereof; and,

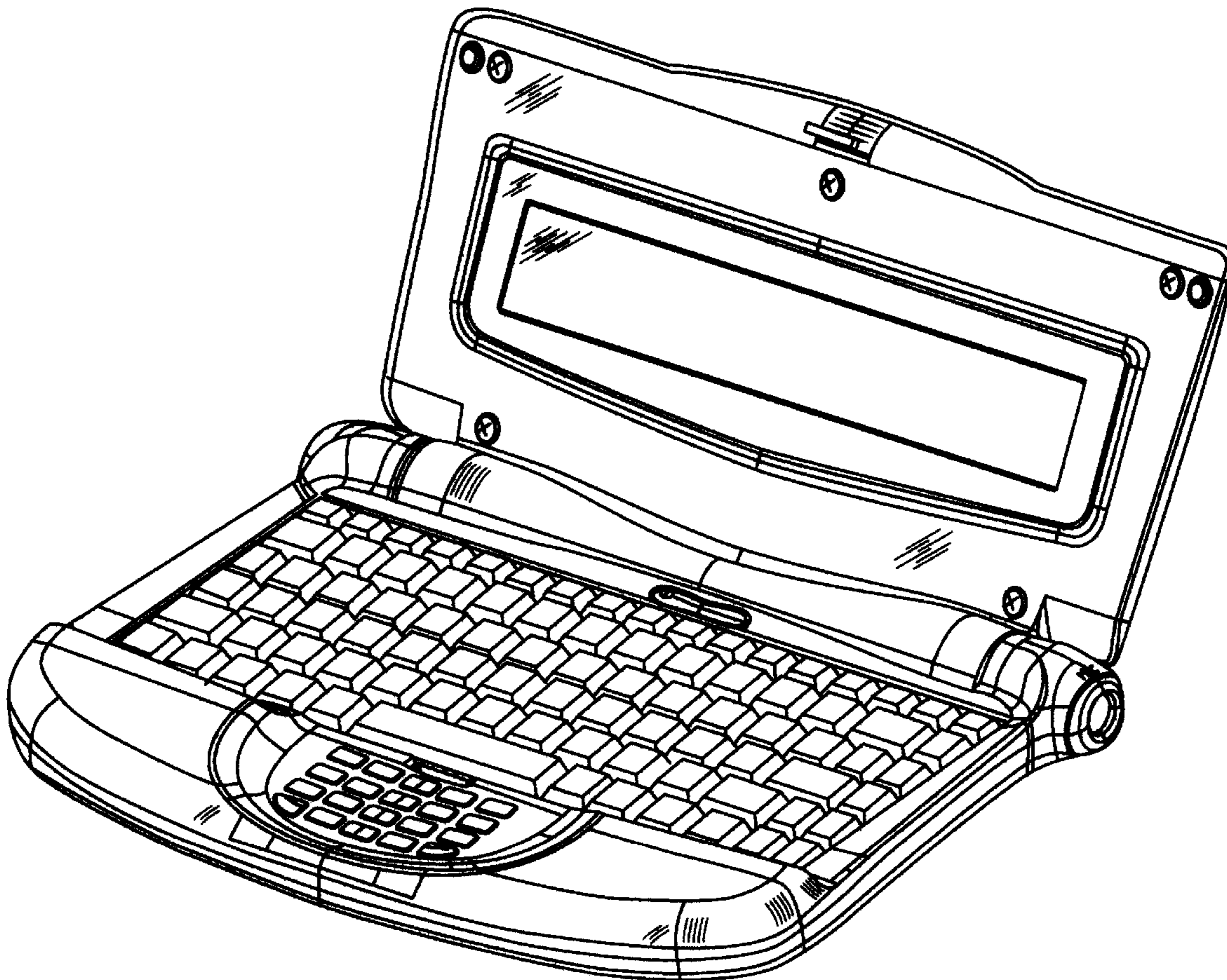
FIG. 7 is a bottom plan view thereof.

[56] **References Cited**

U.S. PATENT DOCUMENTS

D. 310,543 9/1990 Brown D14/345

1 Claim, 7 Drawing Sheets



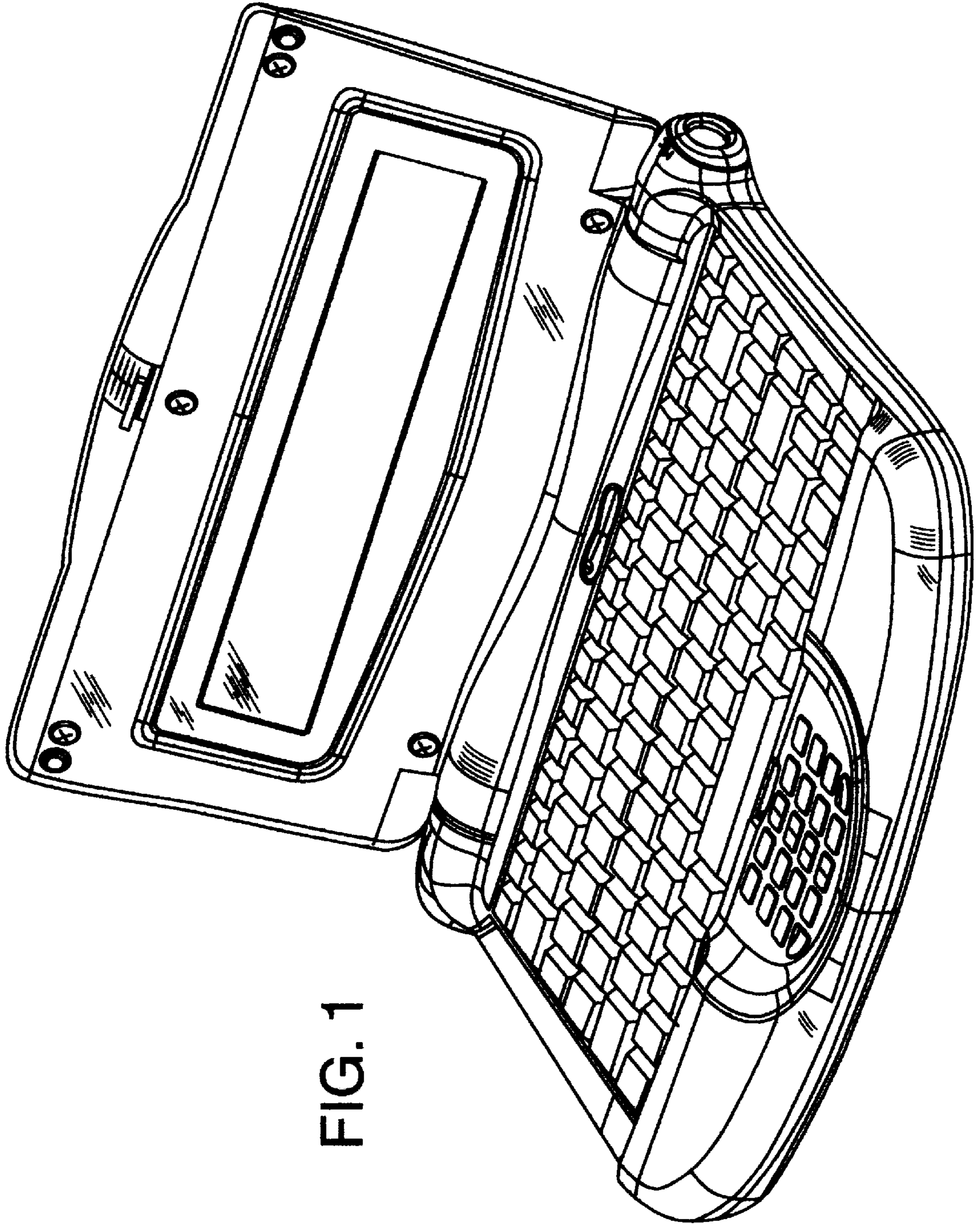


FIG. 1

FIG. 2

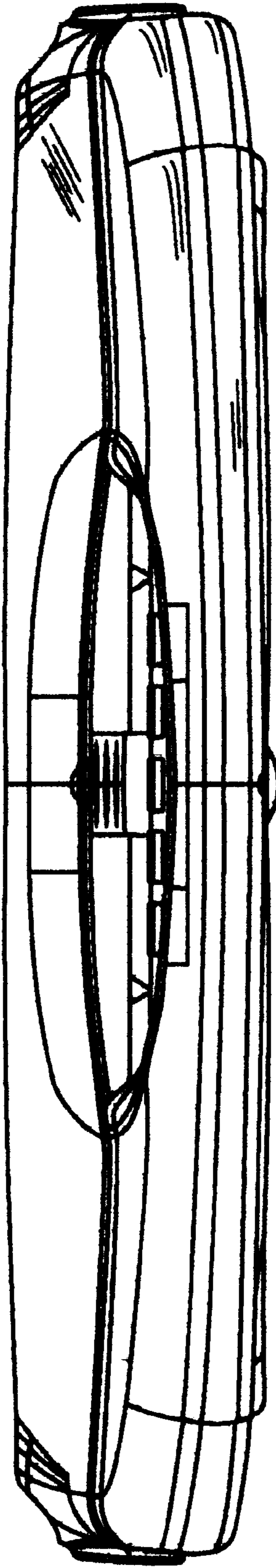




FIG. 3

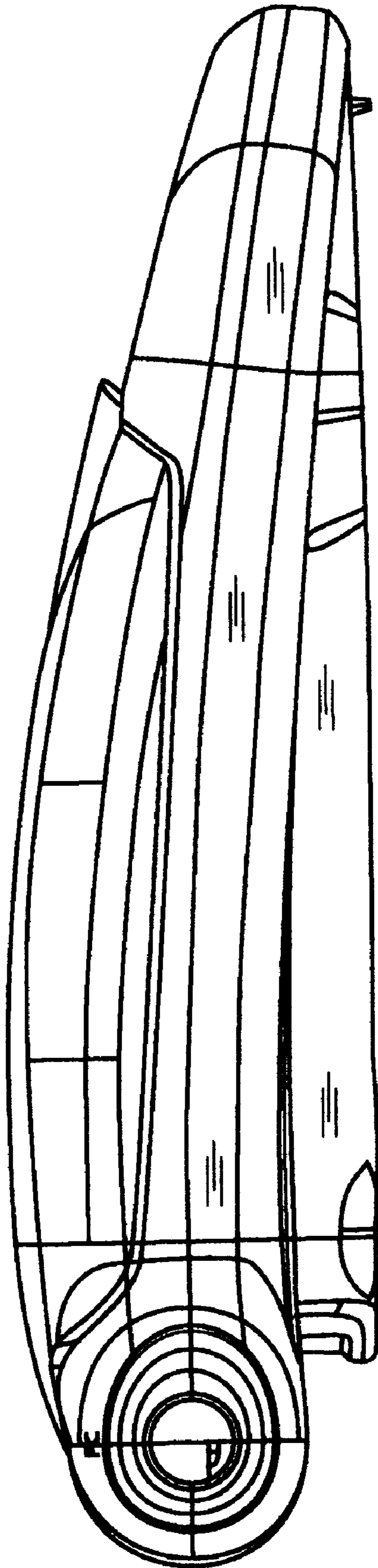


FIG. 4

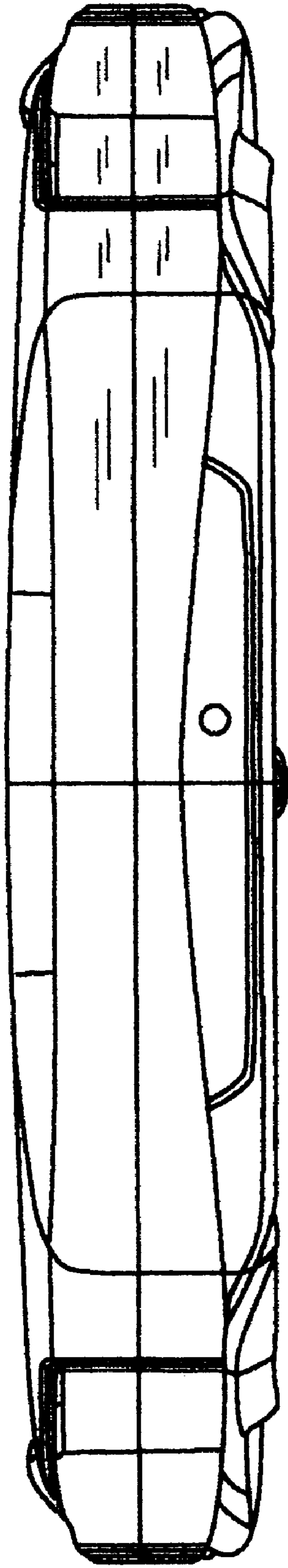


FIG. 5

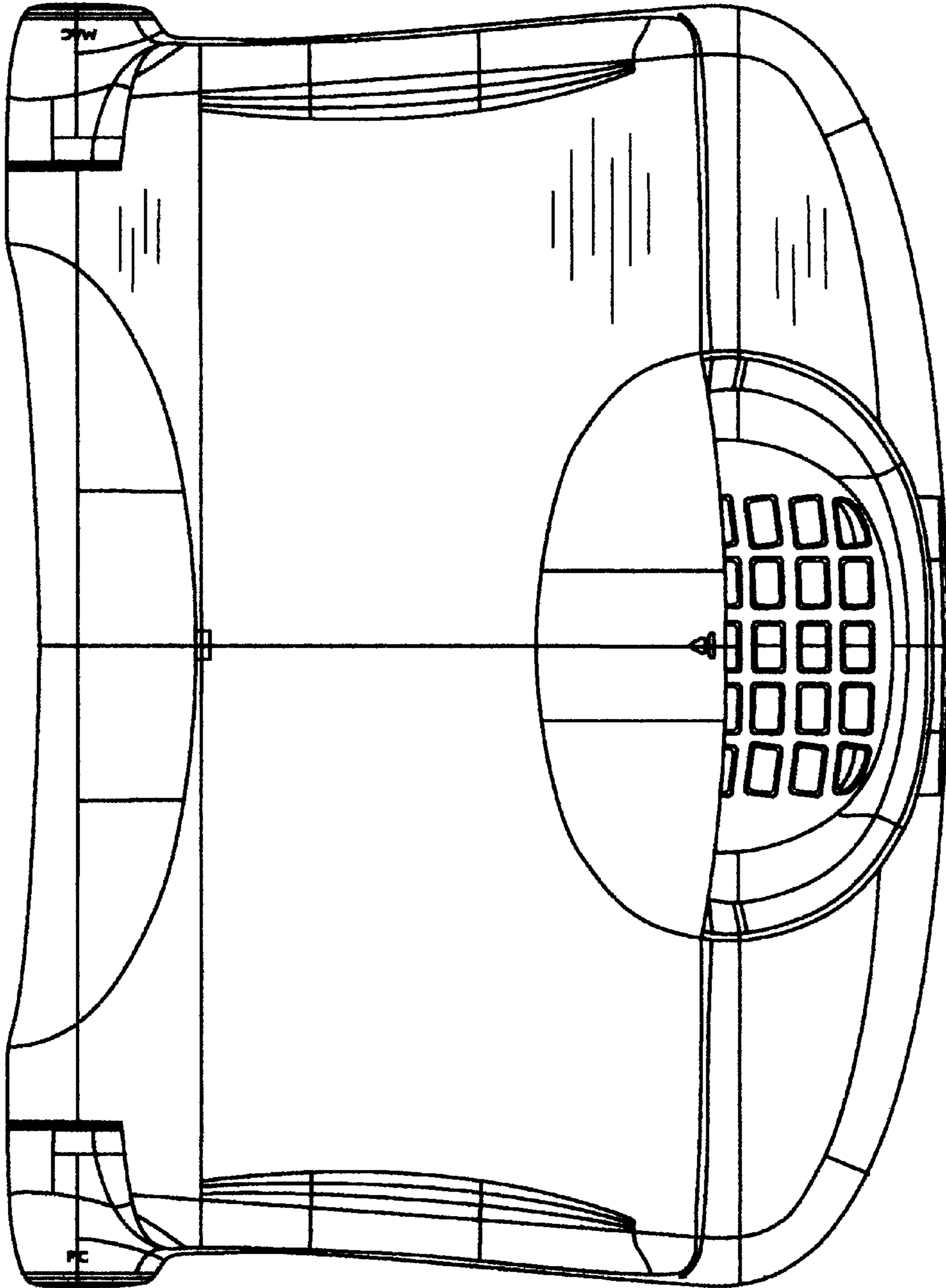


FIG. 6

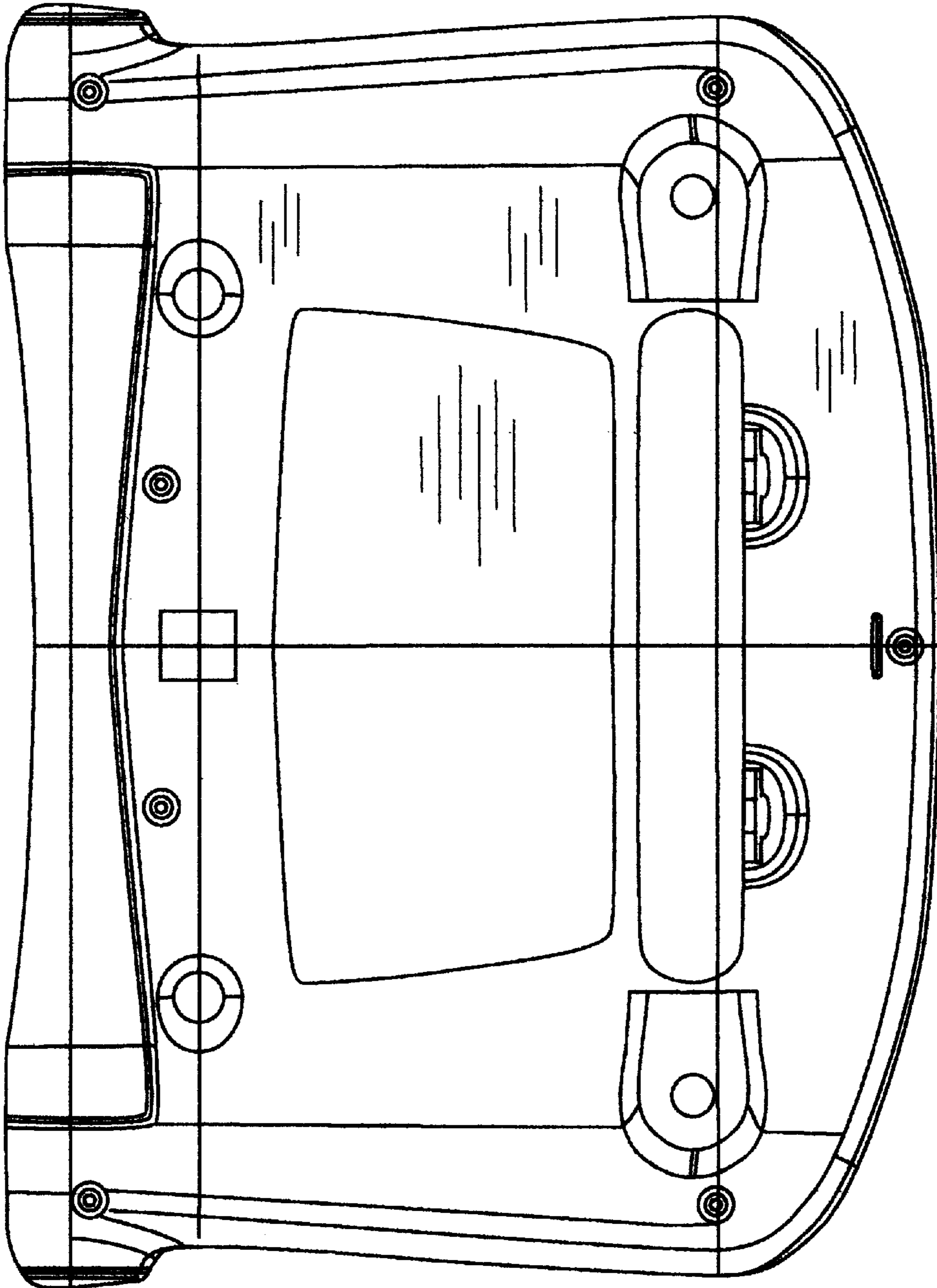


FIG. 7