



US00D434764S

**United States Patent** [19]  
**Norrlund**

[11] **Patent Number: Des. 434,764**

[45] **Date of Patent: \*\* Dec. 5, 2000**

[54] **SCANNING UNIT FOR FINGER IDENTIFICATION**

D. 393,837 4/1998 Umetsu et al. .... D14/384  
D. 406,118 2/1999 Koivisto ..... D14/385  
5,193,855 3/1993 Shamos ..... 283/117

[75] Inventor: **Pontus Norrlund**, Göteborg, Sweden

[73] Assignee: **Precise Biometrics AB**, Lund, Sweden

[\*\*] Term: **14 Years**

*Primary Examiner*—Freda Nunn  
*Attorney, Agent, or Firm*—Cooper & Dunham LLP

[21] Appl. No.: **29/117,285**

[22] Filed: **Jan. 21, 2000**

[57] **CLAIM**

The ornamental design for scanning unit for a finger identification, as shown and described.

[30] **Foreign Application Priority Data**

Jul. 30, 1999 [SE] Sweden ..... 99-1378

**DESCRIPTION**

[51] **LOC (7) Cl.** ..... **14-02**

[52] **U.S. Cl.** ..... **D14/384**

[58] **Field of Search** ..... D14/383-385;  
283/68-70, 74, 75, 78, 117; 118/31.5; 382/124-126;  
235/382.5

FIG. 1 is a front view of a scanning unit for finger identification showing my new design;

FIG. 2 is a back view thereof;

FIG. 3 is a bottom plan view thereof;

FIG. 4 is a top plan view thereof;

FIG. 5 is a left hand side plan view thereof;

FIG. 6 is a right hand side plan view thereof; and,

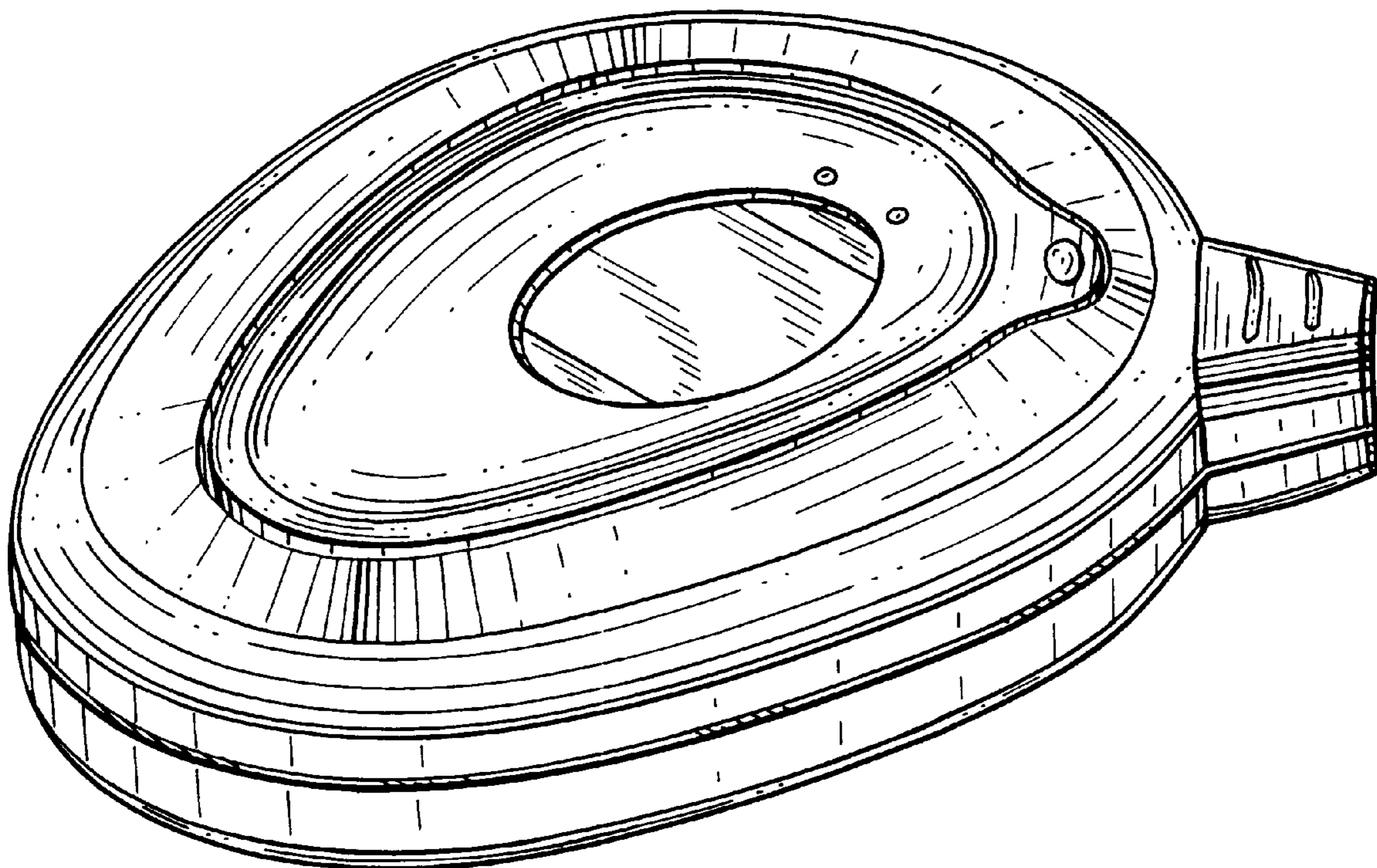
FIG. 7 is a perspective view thereof.

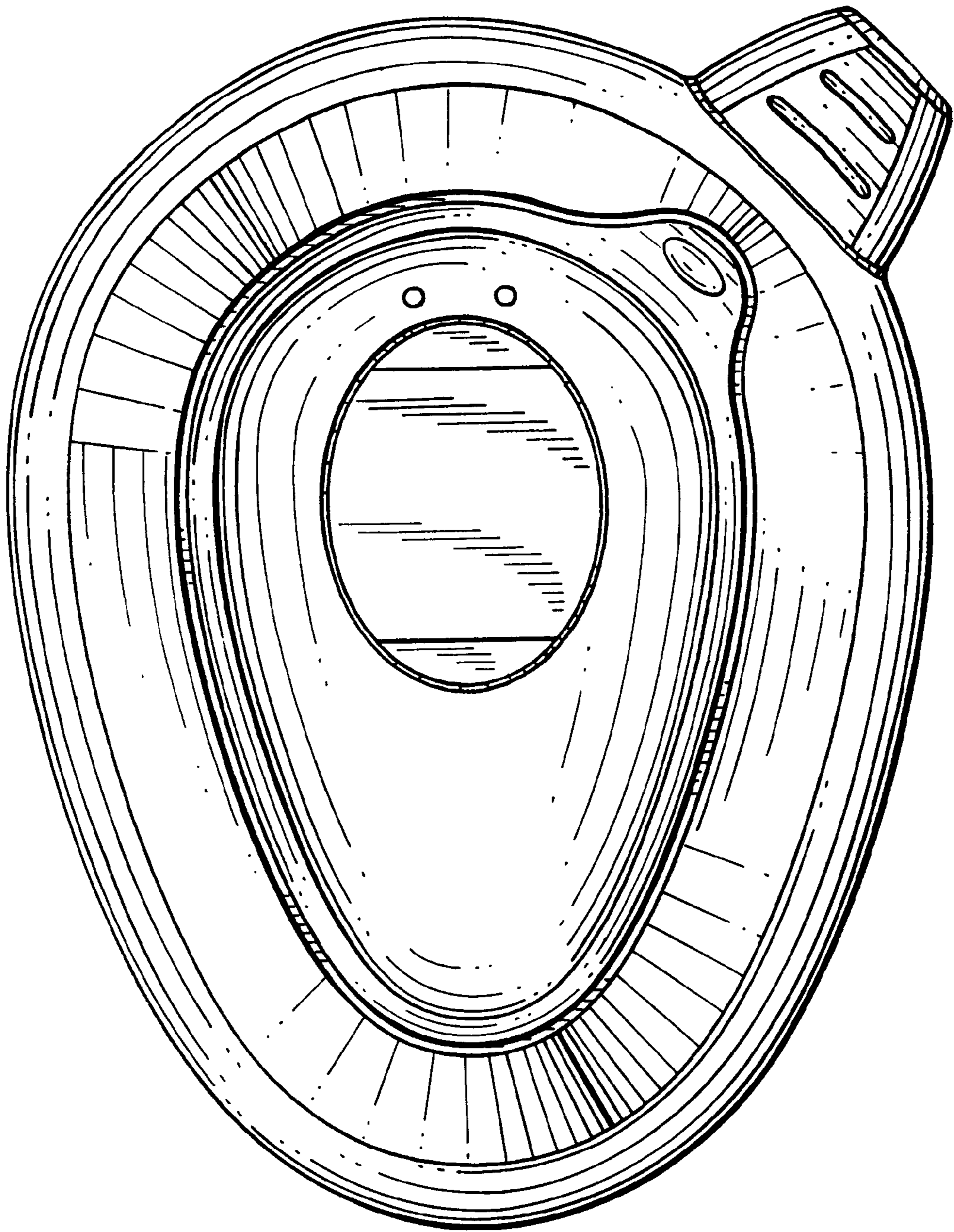
[56] **References Cited**

**U.S. PATENT DOCUMENTS**

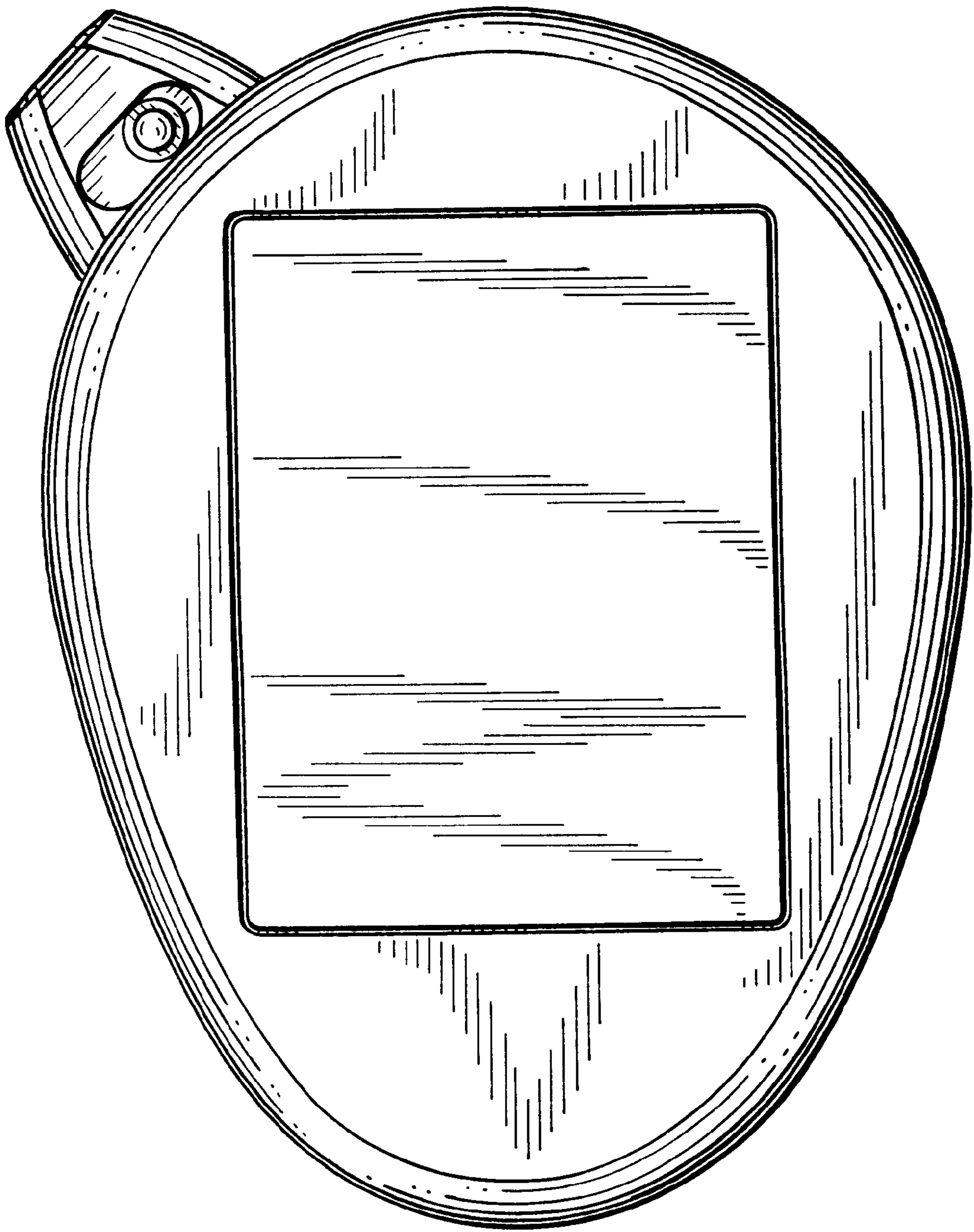
D. 367,270 2/1996 Levering ..... D14/384

**1 Claim, 5 Drawing Sheets**



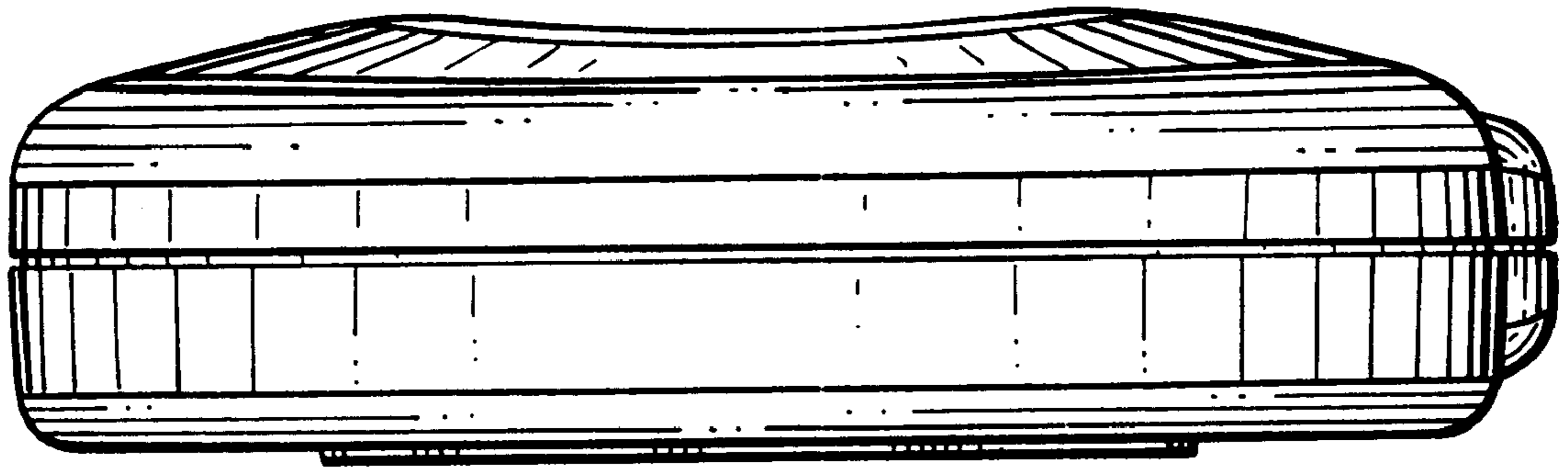


*FIG. 1*

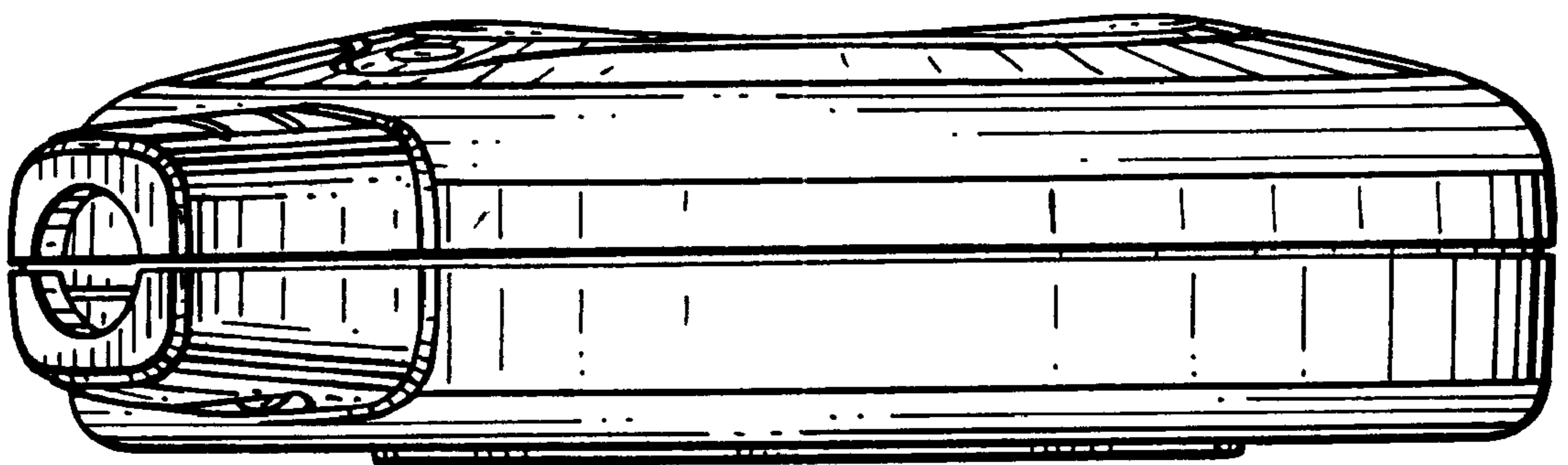


*FIG. 2*

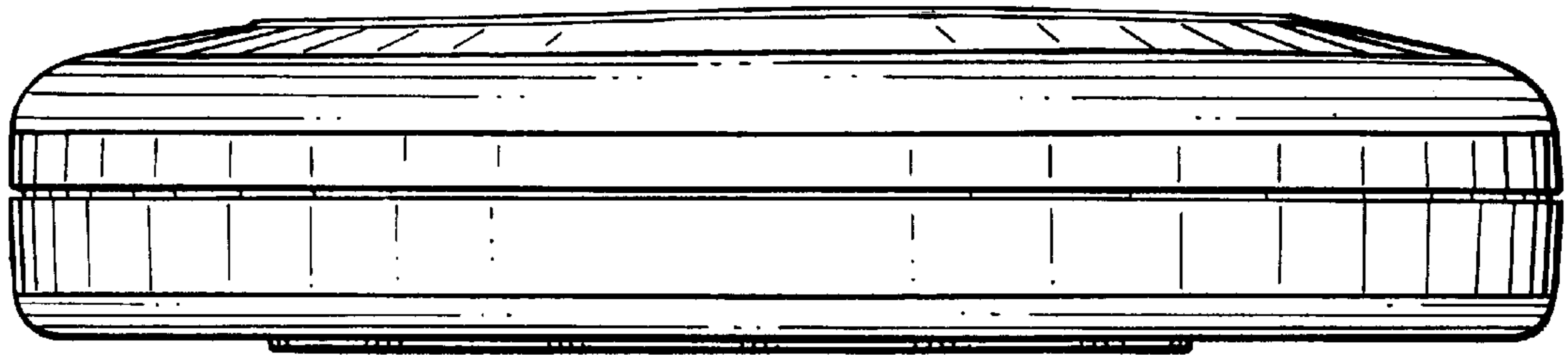




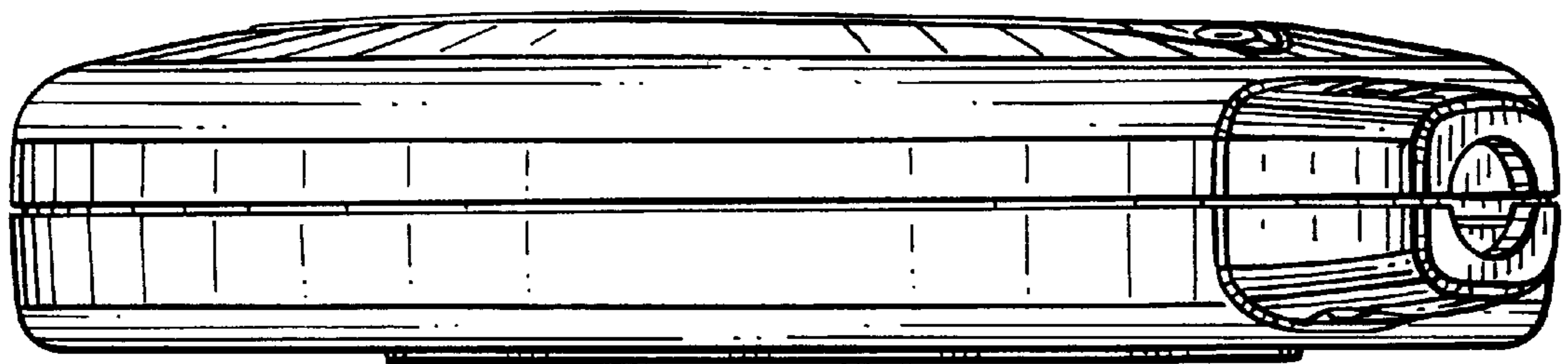
*FIG. 3*



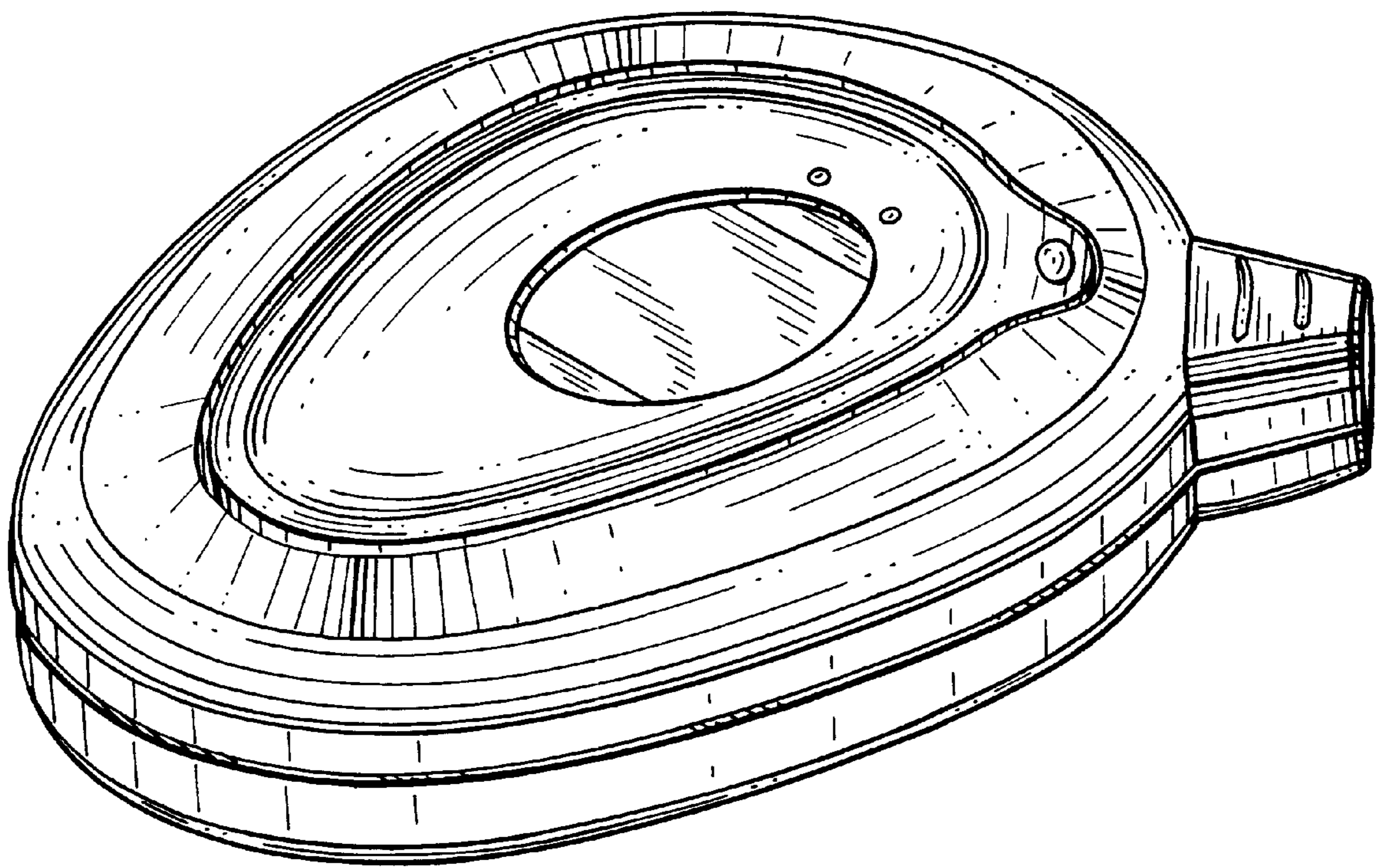
*FIG. 4*



*FIG. 5*



*FIG. 6*



*FIG. 7*