



US00D434763S

# United States Patent [19]

[11] Patent Number: Des. 434,763

Jobs et al.

[45] Date of Patent: \*\* Dec. 5, 2000

[54] VISUAL DISPLAY MONITOR

Attorney, Agent, or Firm—Nancy R. Simon

[75] Inventors: **Steven P. Jobs**, Palo Alto; **Bartley K. Andre**, Menlo Park; **Daniel J. Coster**, San Francisco; **Daniele De Iuliis**, San Francisco; **Richard P. Howarth**, San Francisco; **Jonathan P. Ive**, San Francisco; **Matthew Dean Rohrbach**, San Francisco; **Douglas B. Satzger**, San Carlos; **Calvin Q. Seid**, Palo Alto; **Christopher J. Stringer**, Pacifica, all of Calif.

[57] CLAIM

The ornamental design for a visual display monitor, as shown and described.

[73] Assignee: **Apple Computer, Inc.**, Cupertino, Calif.

DESCRIPTION

[\*\*] Term: 14 Years

FIG. 1 is a front, right side perspective view of a visual display monitor, showing our new design; FIG. 2 is a rear, right side perspective view thereof; FIG. 3 is a front view thereof; FIG. 4 is a rear view thereof; FIG. 5 is a right side view thereof; FIG. 6 is a left side view thereof; FIG. 7 is a top view thereof; FIG. 8 is a bottom view thereof; FIG. 9 is a right side view thereof with a hinged leg extended out from the visual display monitor; FIG. 10 is a rear, right side perspective view of an alternate embodiment thereof wherein the only difference is in the exclusion of the hinged leg; and, FIG. 11 is a front view thereof.

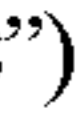
[21] Appl. No.: 29/110,022

[22] Filed: Aug. 27, 1999

[51] LOC (7) Cl. .... 14-02

[52] U.S. Cl. .... D14/375

[58] Field of Search ..... D14/371, 374, D14/375, 336, 337, 126-129; D19/26; 345/156, 168; 348/180, 184, 325, 739

The broken line drawing of the Apple logo (“”), a trademark owned by Apple Computer, Inc., in FIGS. 2, 4, 5, 6, 9, and 10 is for illustrative purposes only and forms no part of the claimed design, the broken line drawings of a hinged leg, a plug and five oval depressions in FIG. 10 are for illustrative purposes only and form no part of the claimed design, the broken line drawing of a partially concealed leg in FIG. 11 is for illustrative purposes only and forms no part of the claimed design.

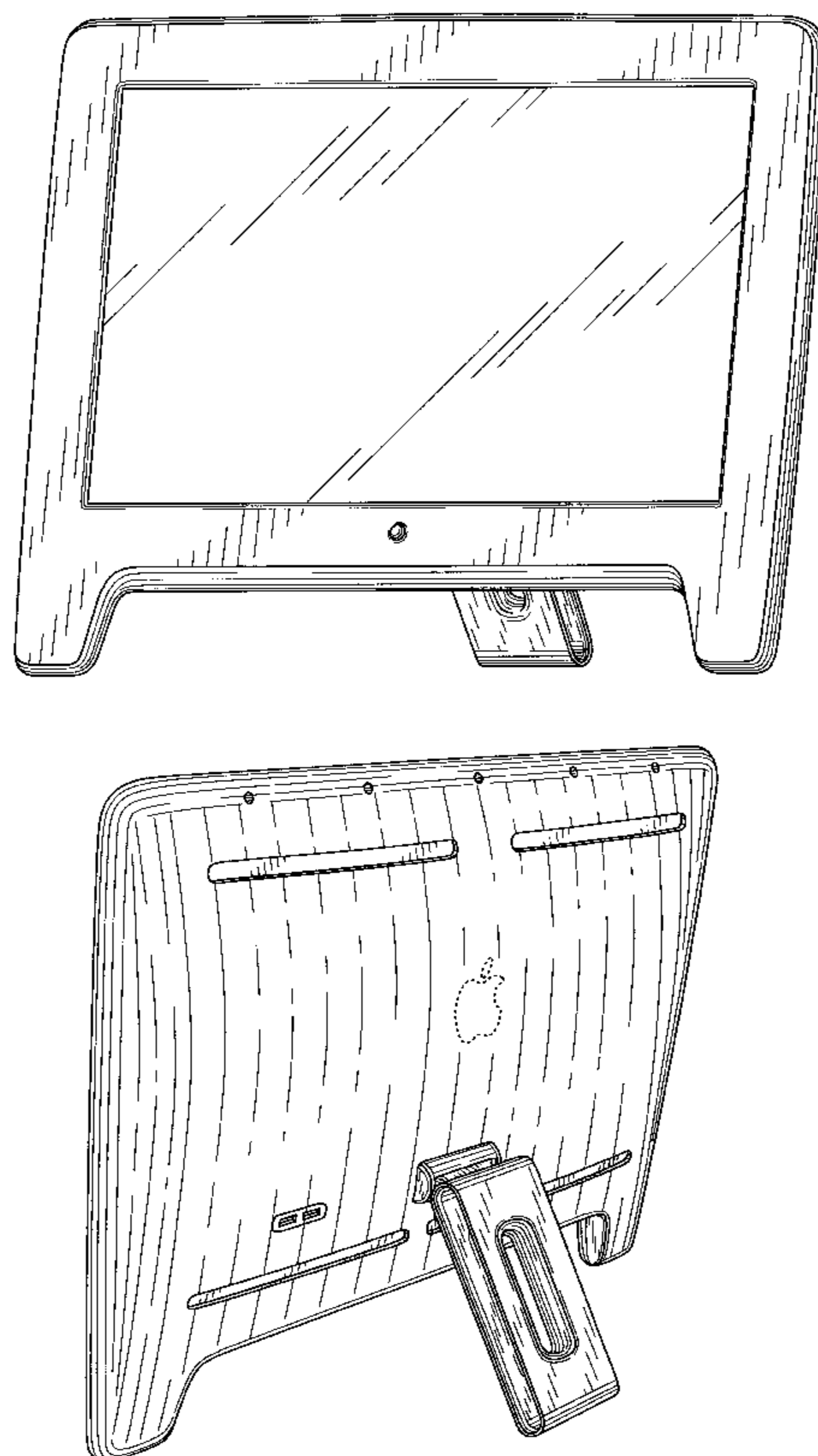
[56] References Cited

U.S. PATENT DOCUMENTS

D. 404,381	1/1999	Roderman et al. ....	D14/375
D. 404,761	1/1999	Tarpenning et al. ....	D19/26
5,708,458	1/1998	Vrbanac .....	345/156

Primary Examiner—Freda Nunn

1 Claim, 11 Drawing Sheets



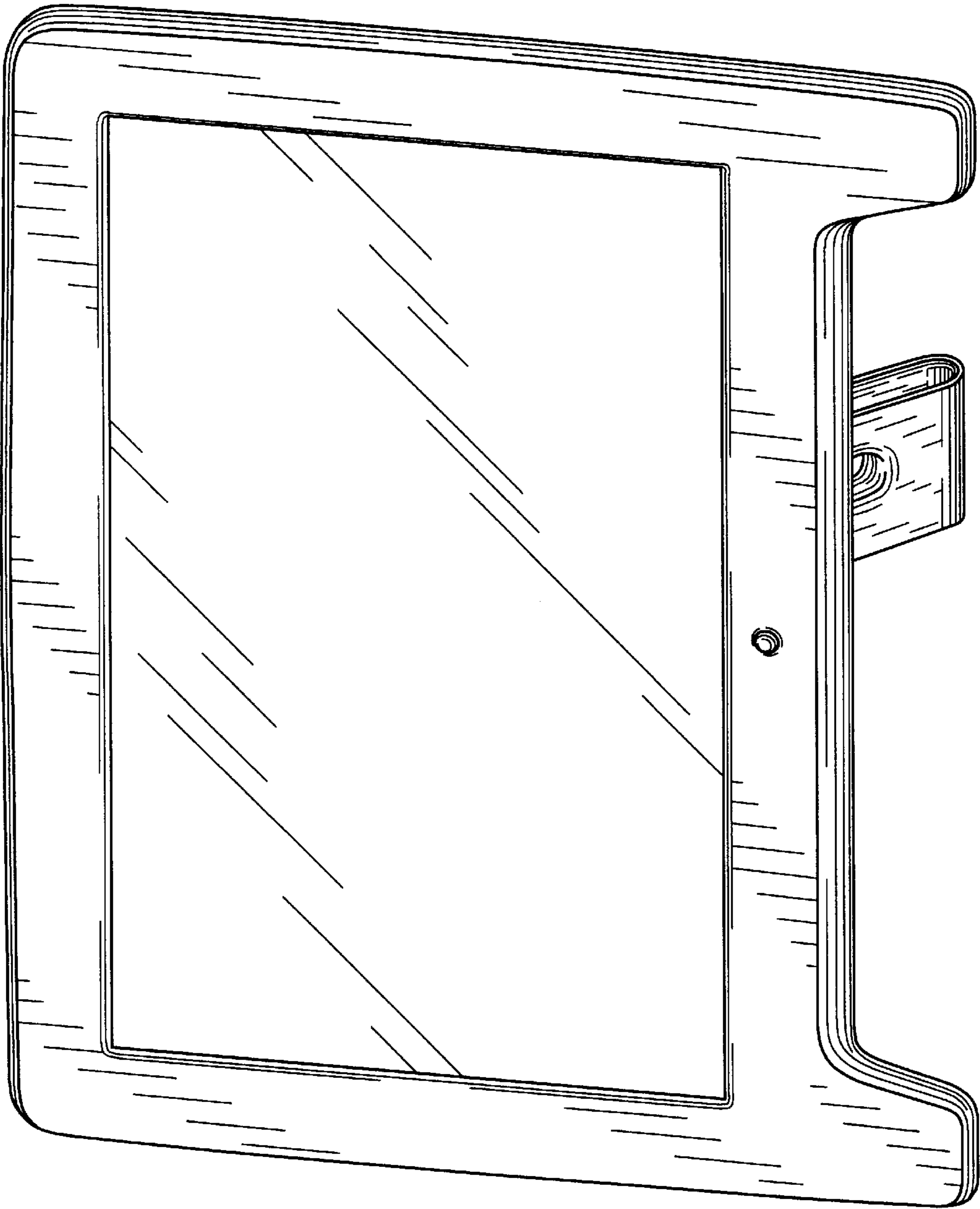


FIG. 1

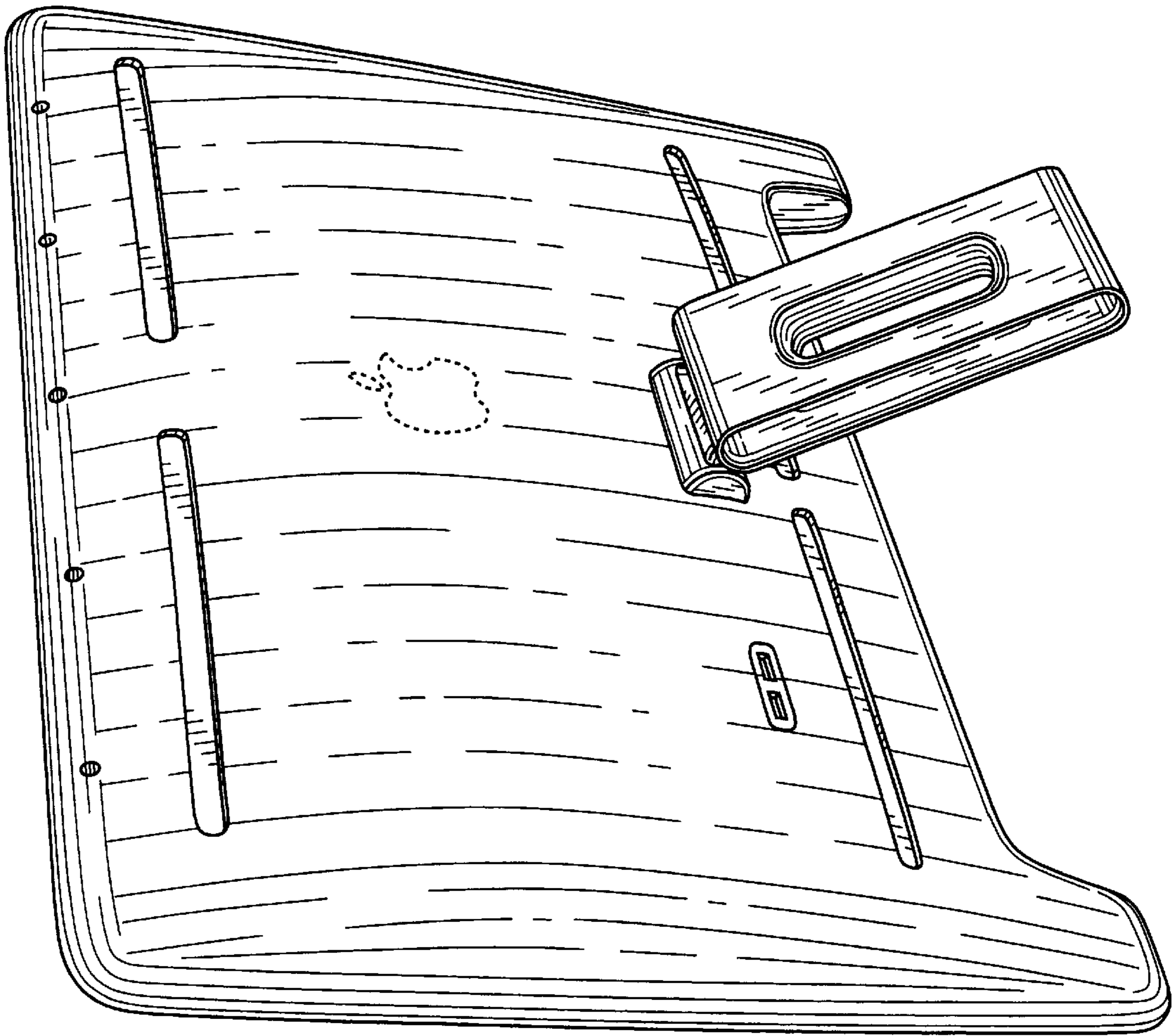


FIG. 2

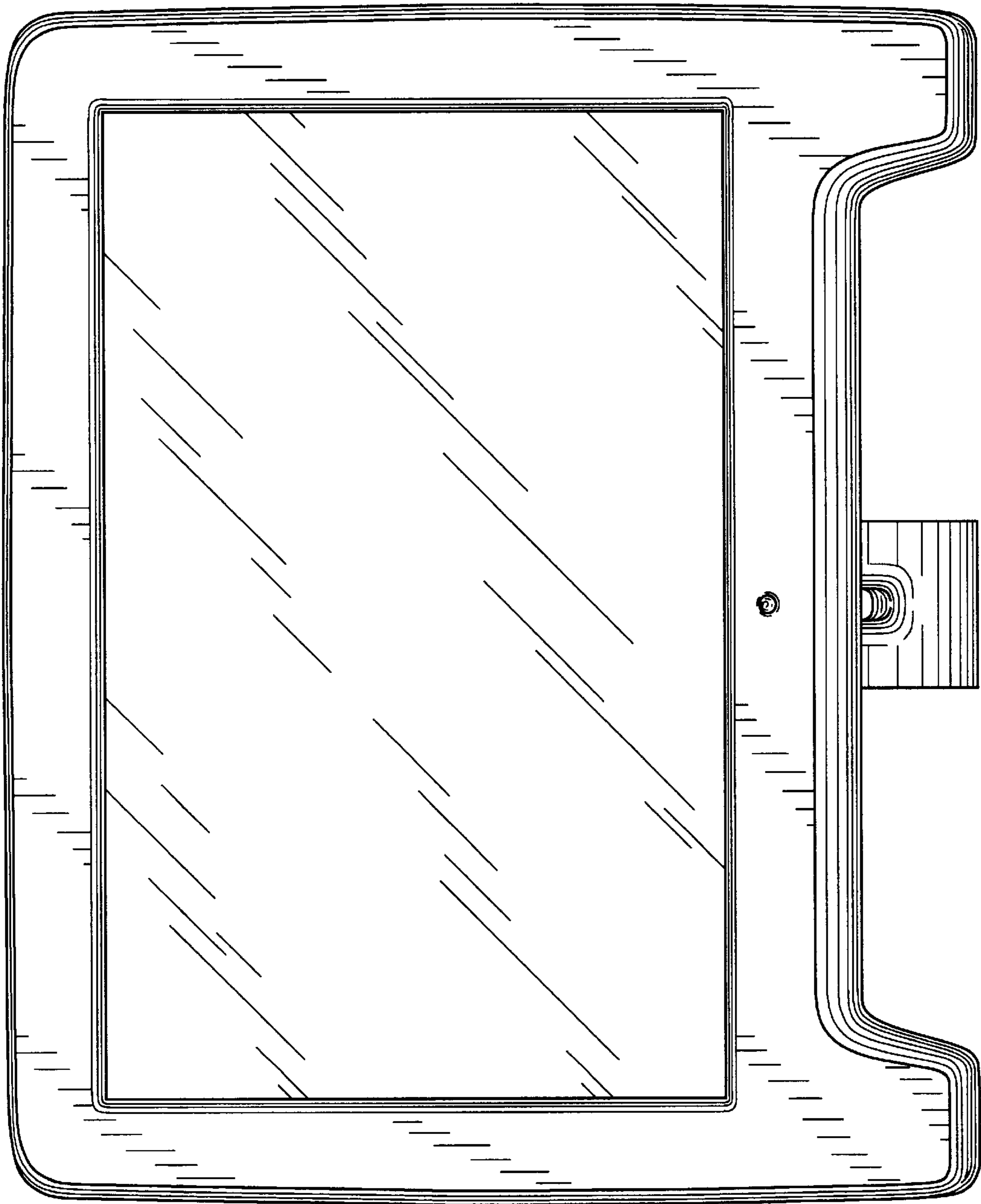


FIG. 3

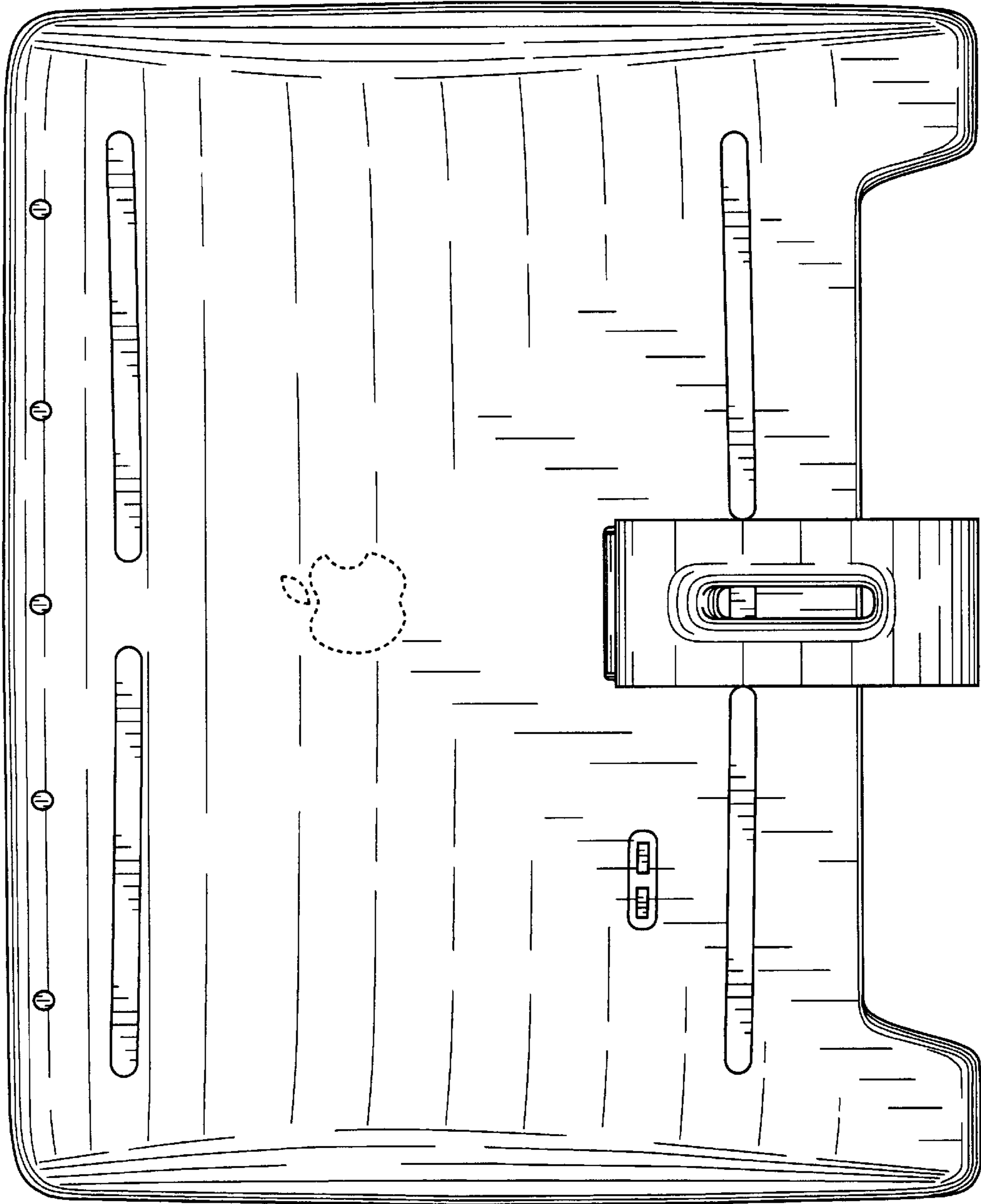


FIG. 4

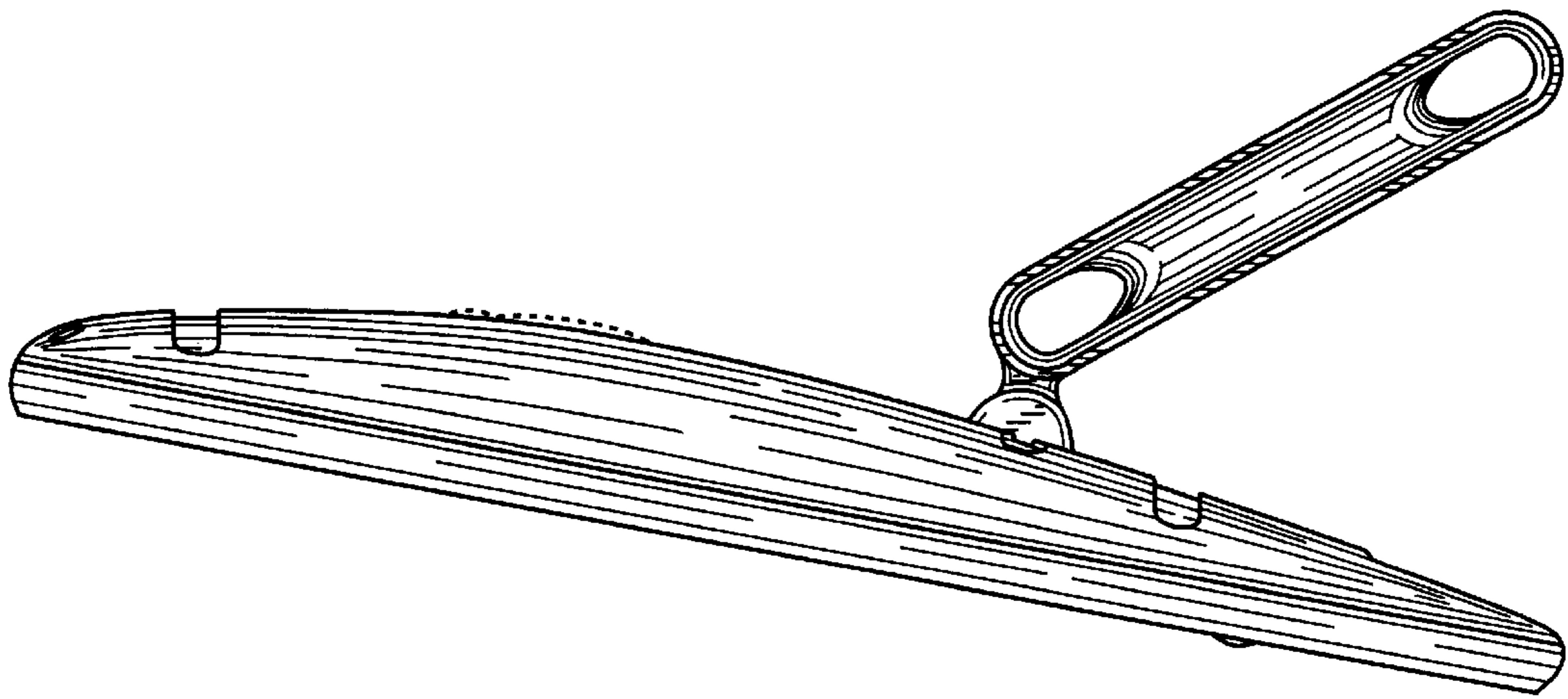


FIG. 5

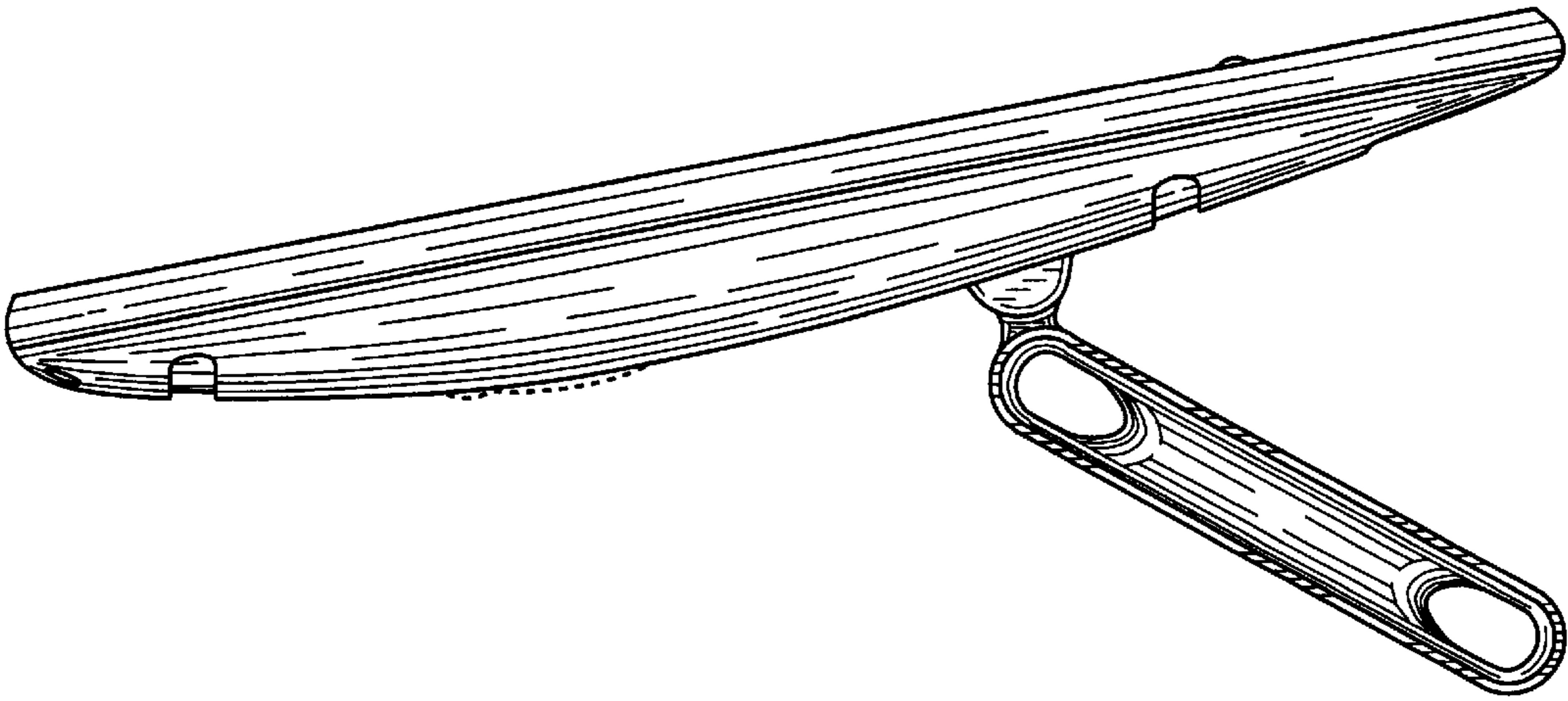


FIG. 6

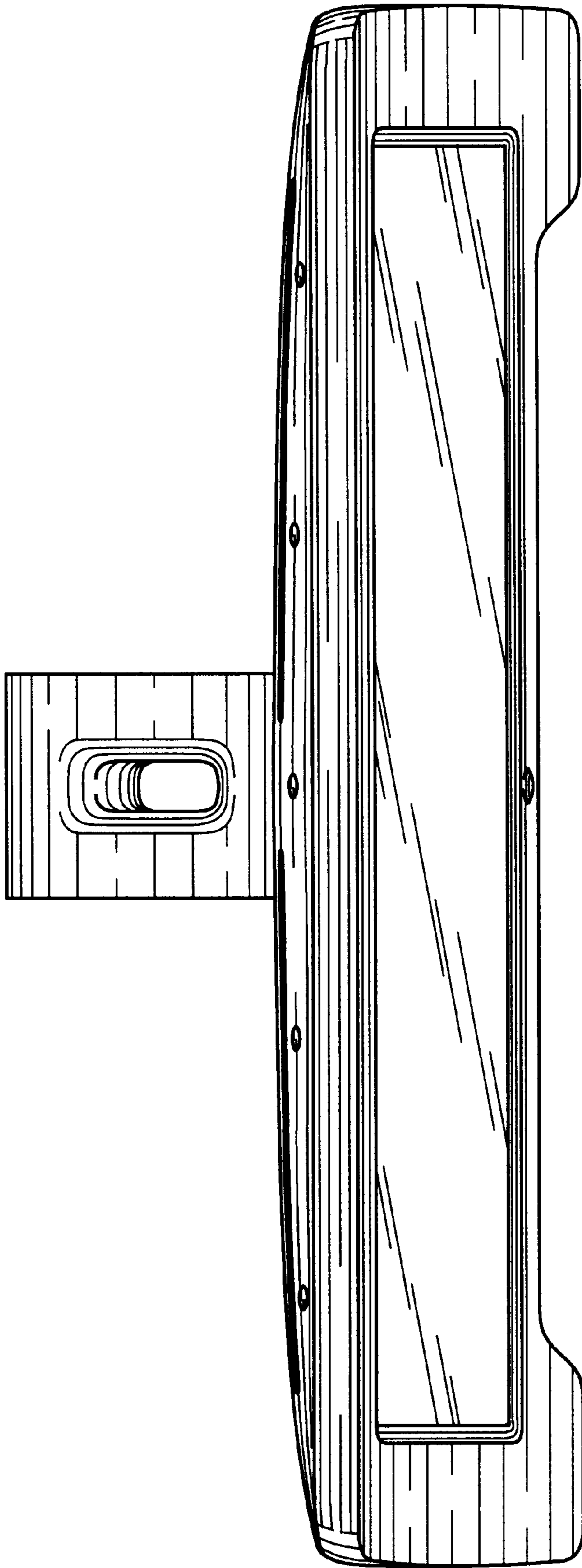


FIG. 7



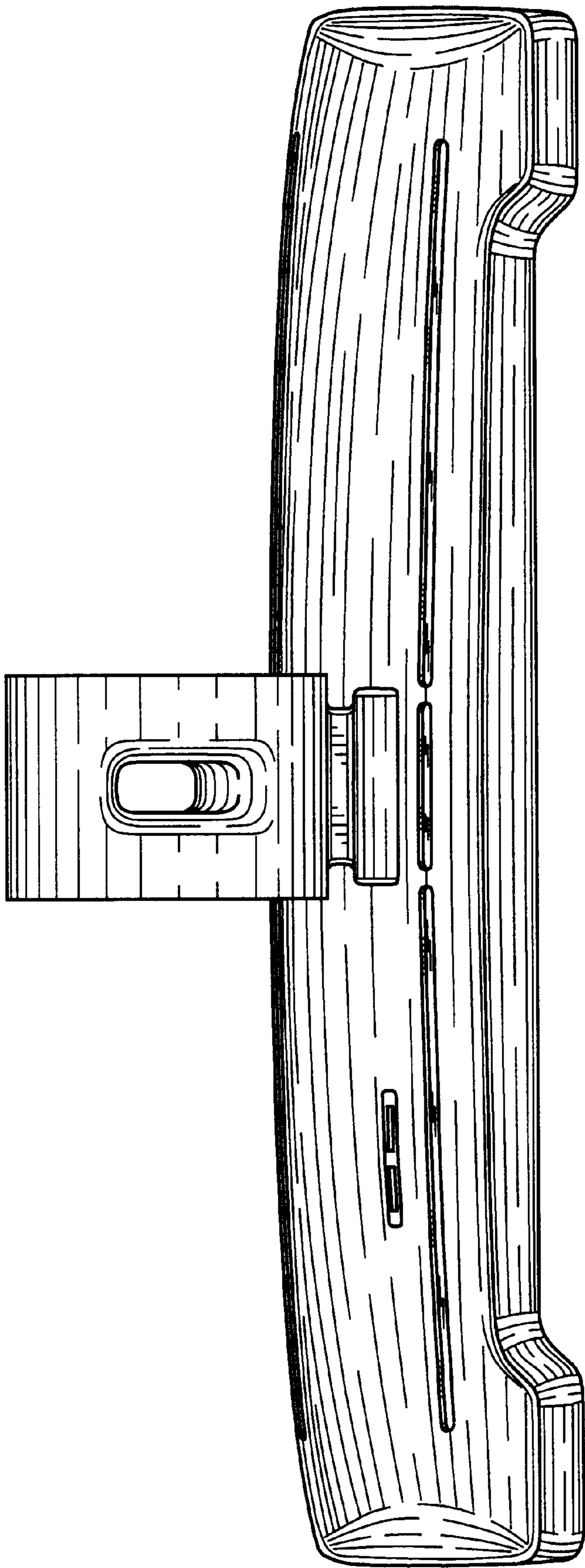


FIG. 8

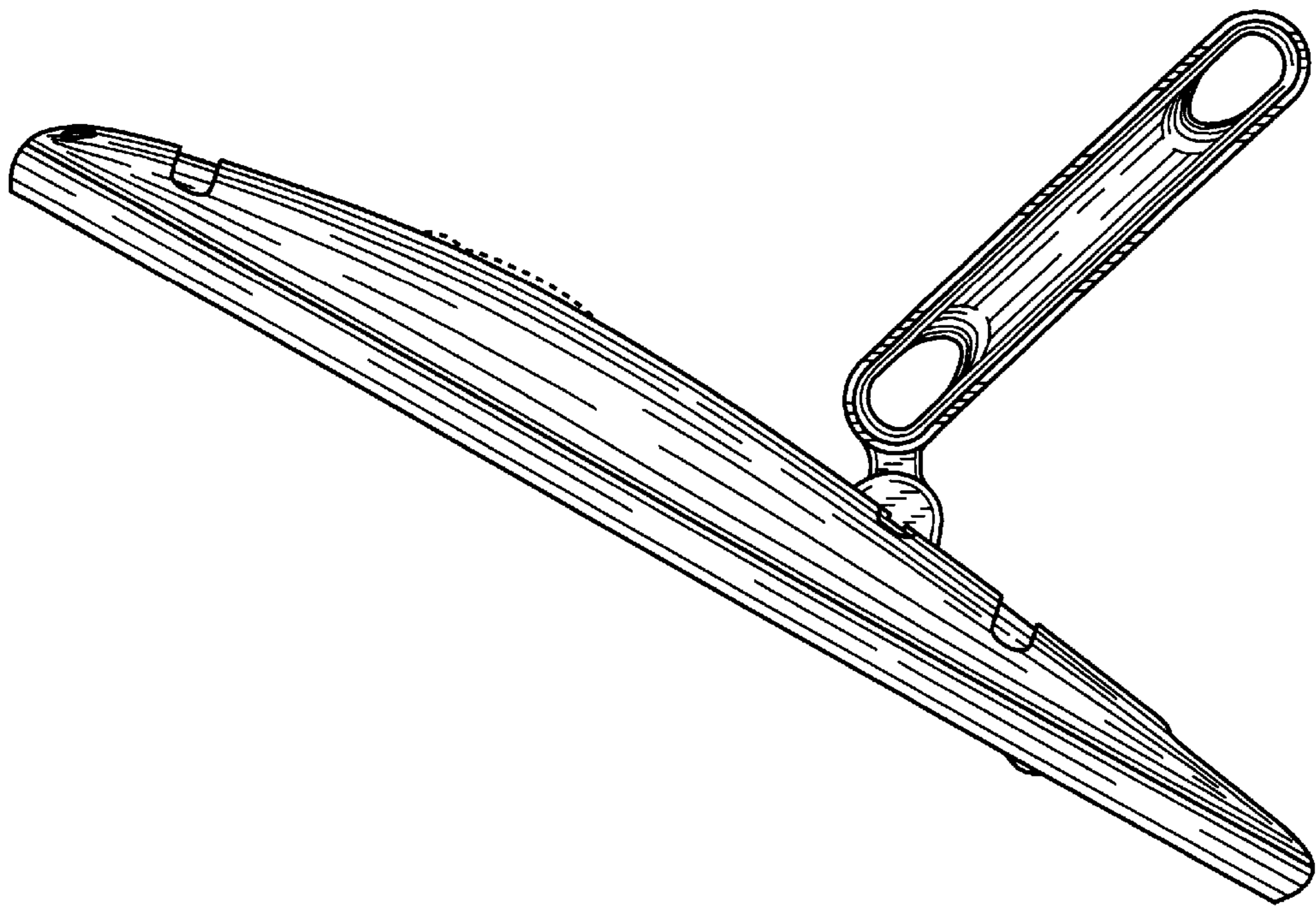


FIG. 9

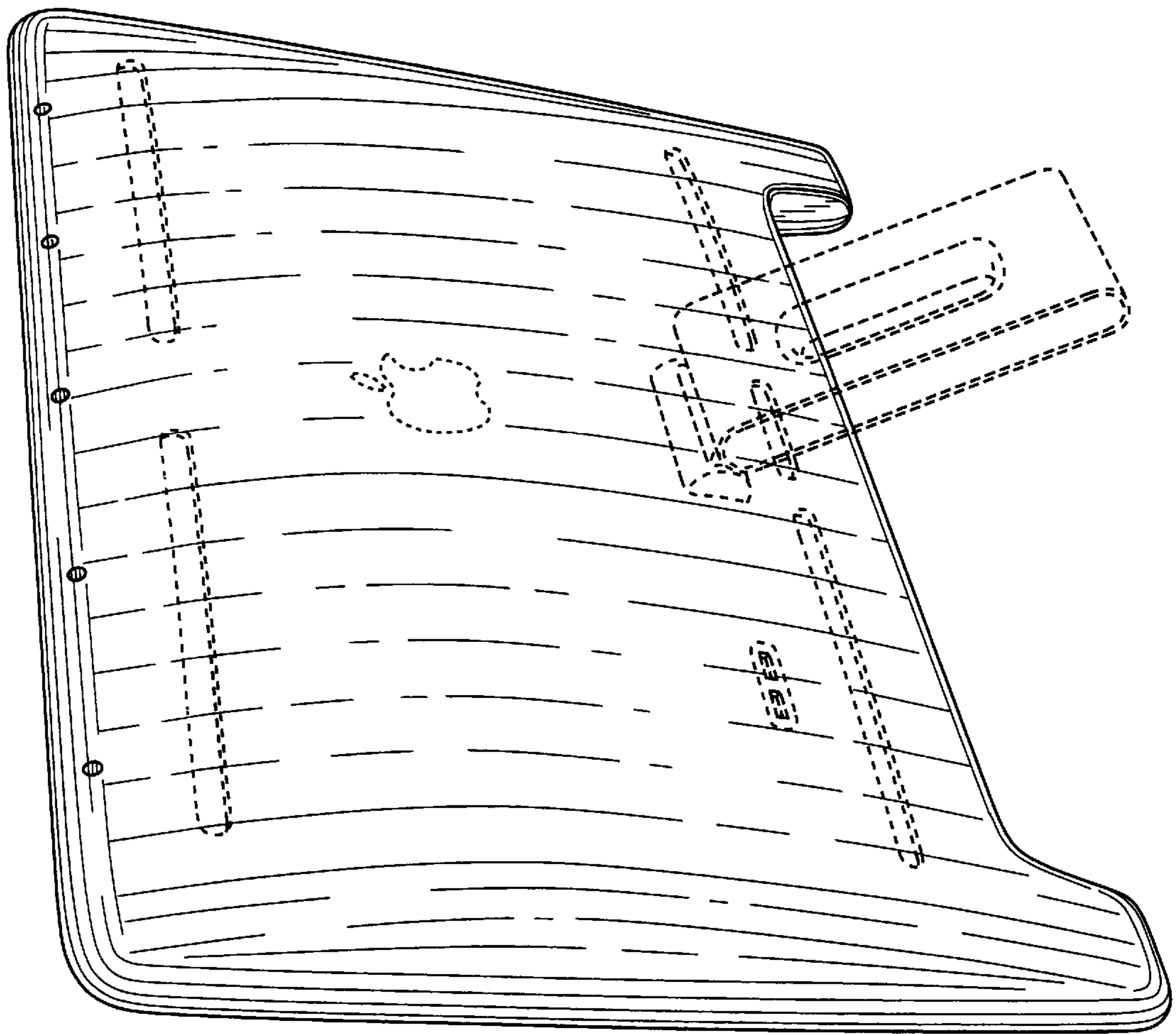


FIG. 10

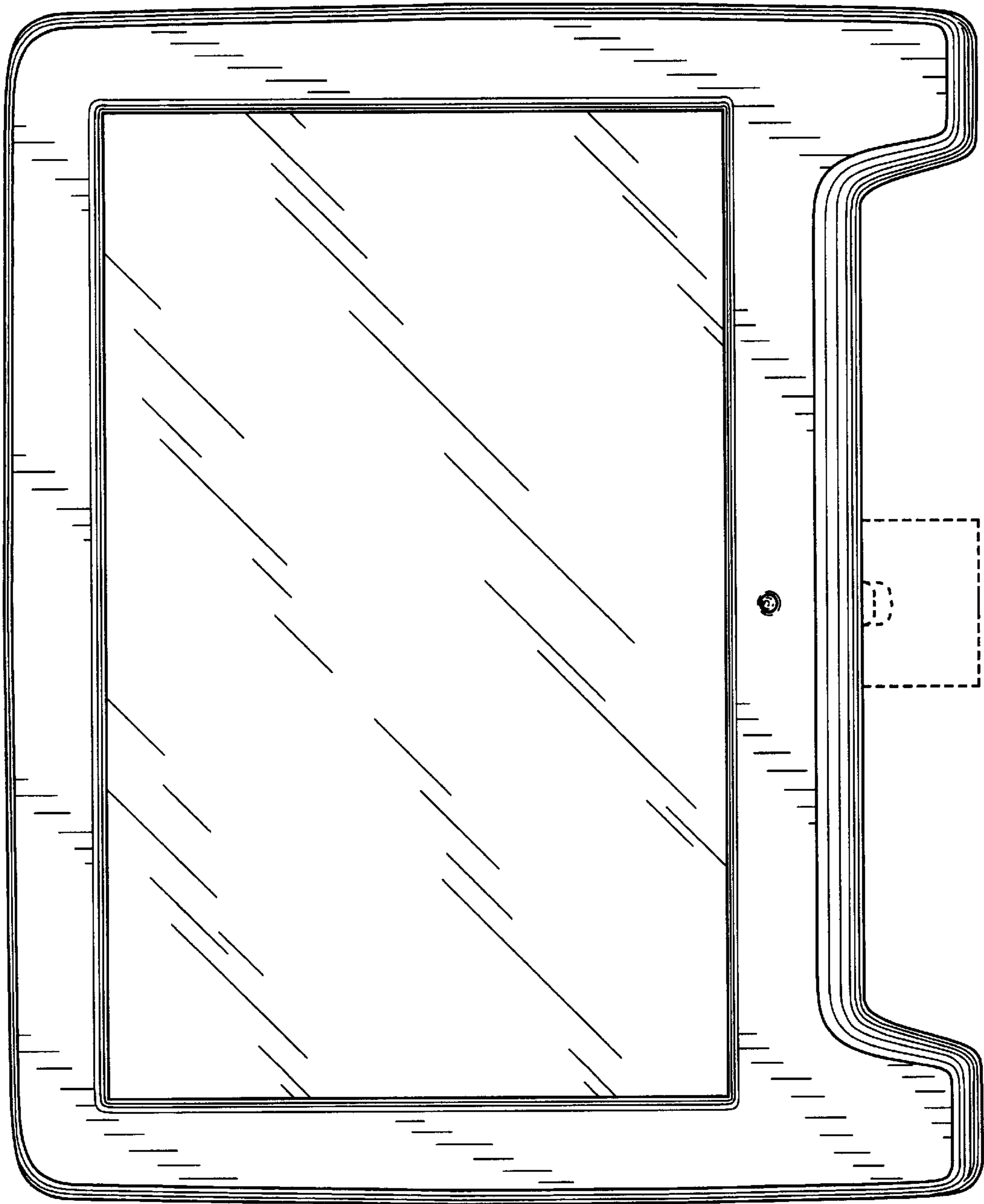


FIG. 11