

US00D434762S

**United States Patent** [19]  
**Ikenaga**

[11] **Patent Number: Des. 434,762**

[45] **Date of Patent: \*\* Dec. 5, 2000**

[54] **MONITOR**

[75] **Inventor: Takashi Ikenaga, Tokyo, Japan**

[73] **Assignee: Sony Corporation, Japan**

[\*\*] **Term: 14 Years**

[21] **Appl. No.: 29/117,312**

[22] **Filed: Jan. 24, 2000**

[51] **LOC (7) Cl. .... 14-02**

[52] **U.S. Cl. .... D14/371; D14/341; D14/218**

[58] **Field of Search .... D14/341, 344,  
D14/346, 347, 339, 371, 218; D18/1, 7;  
235/145 A, 145 R; 345/156, 168, 169, 172,  
173, 87; 364/708.1; D13/168**

[56] **References Cited**

**U.S. PATENT DOCUMENTS**

- D. 322,610 12/1991 Auerbach et al. .... D14/218
- D. 350,962 9/1994 Reardon et al. .... D14/218

- D. 357,917 5/1995 Ito et al. .... D14/218
- D. 393,628 4/1998 Ledbetter et al. .... D13/168
- D. 393,630 4/1998 Coveley .... D14/339
- D. 413,328 9/1999 Kazama .... D14/218

*Primary Examiner*—Freda Nunn  
*Attorney, Agent, or Firm*—Rader, Fishman&Grauer

[57] **CLAIM**

The ornamental design for a monitor, as shown and described.

**DESCRIPTION**

FIG. 1 is a perspective view of the front portion of a monitor showing my design;  
FIG. 2 is a top plan view thereof;  
FIG. 3 is a left side elevational view thereof;  
FIG. 4 is a front elevational view thereof;  
FIG. 5 is a bottom plan view thereof;  
FIG. 6 is a right side elevational view thereof; and,  
FIG. 7 is a rear elevational view thereof.

**1 Claim, 3 Drawing Sheets**

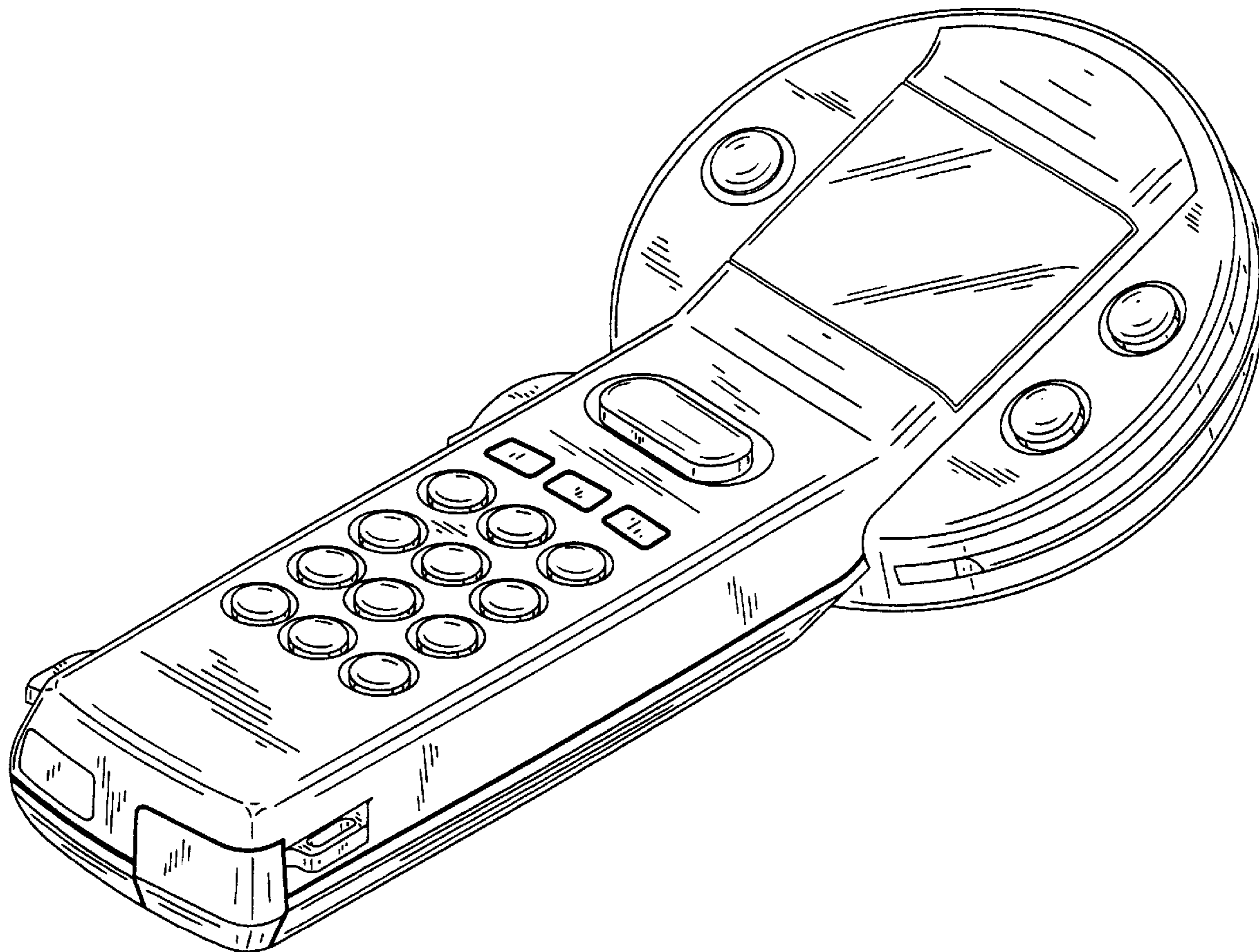


FIG. 1

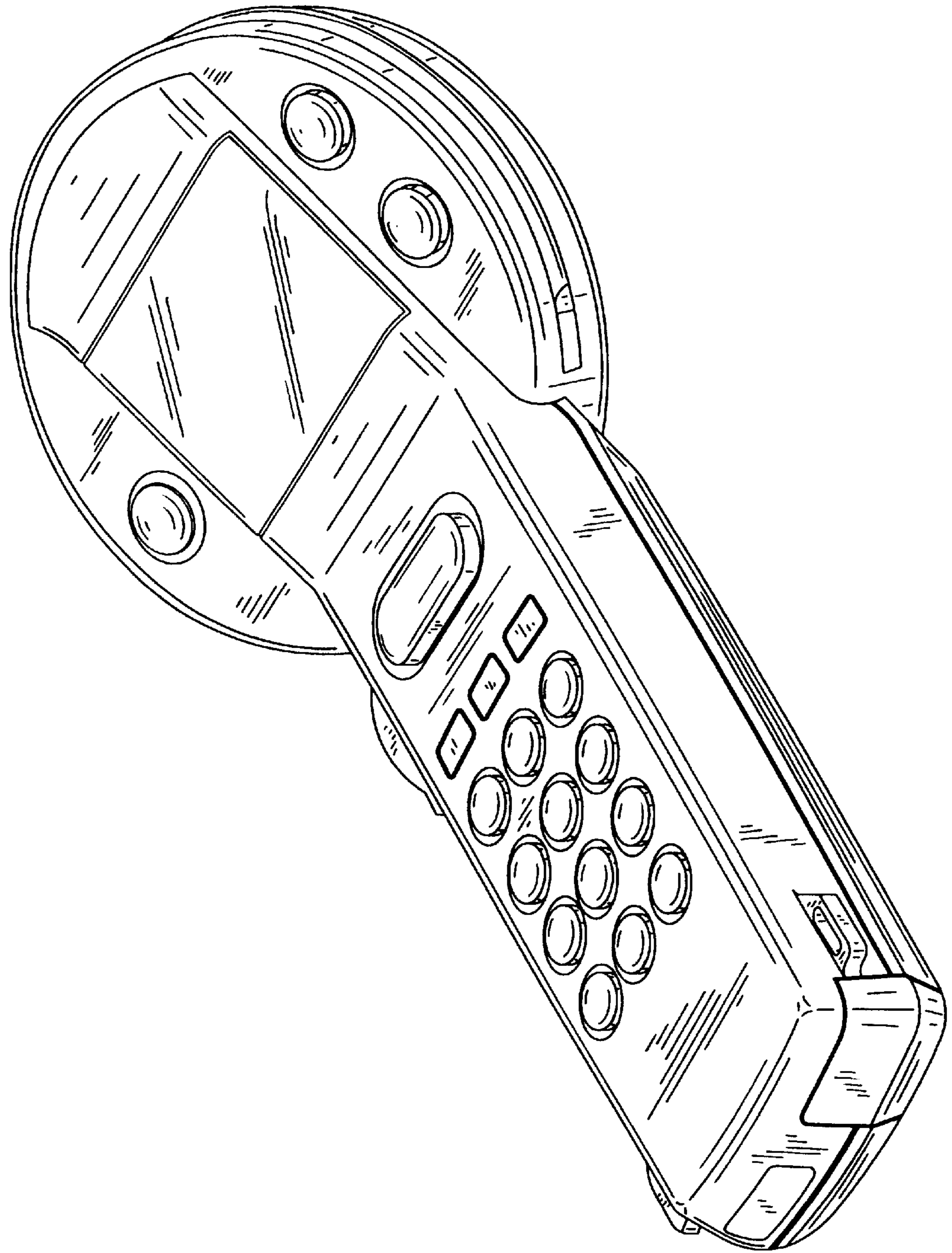


FIG. 2

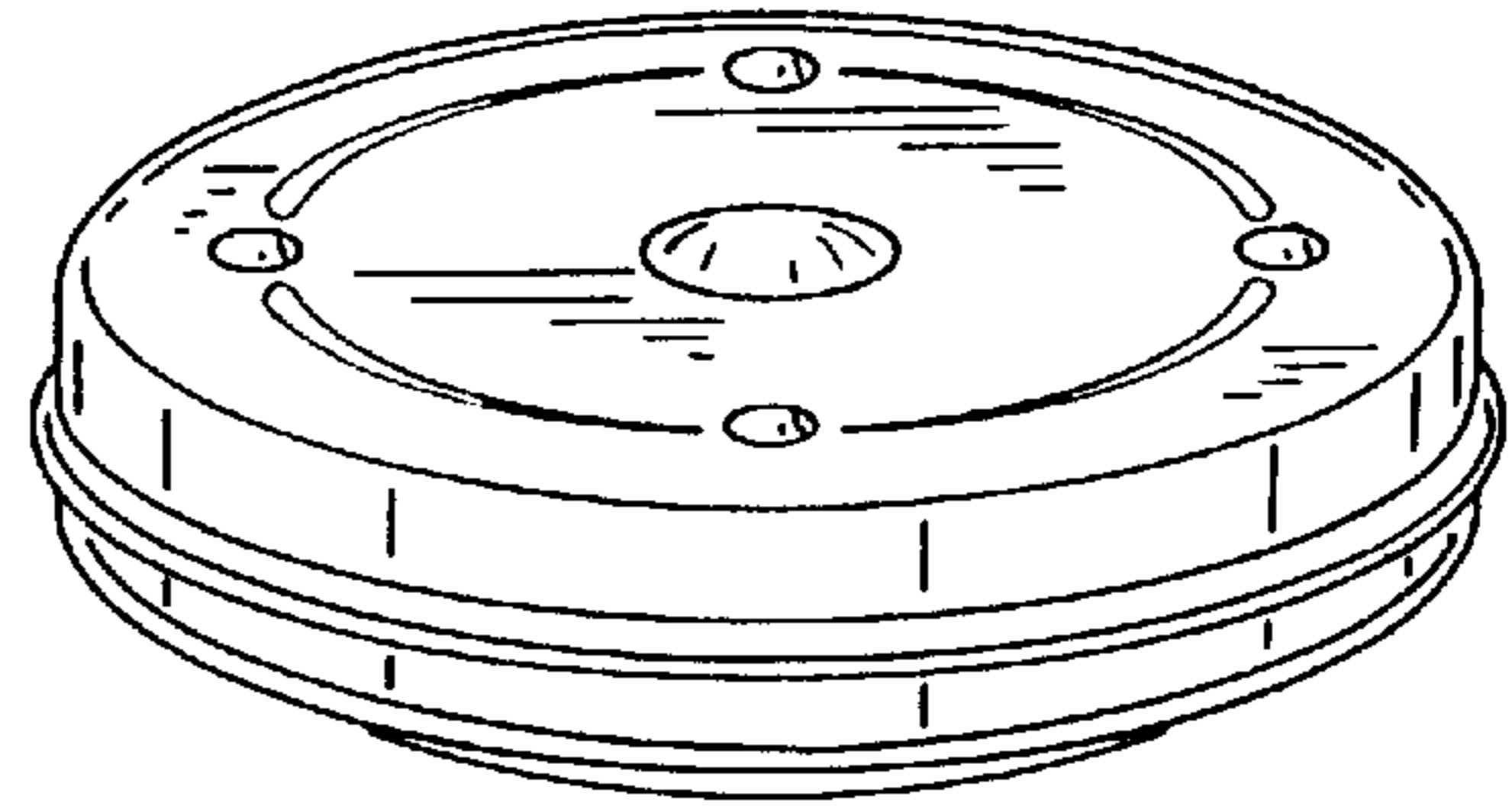


FIG. 3

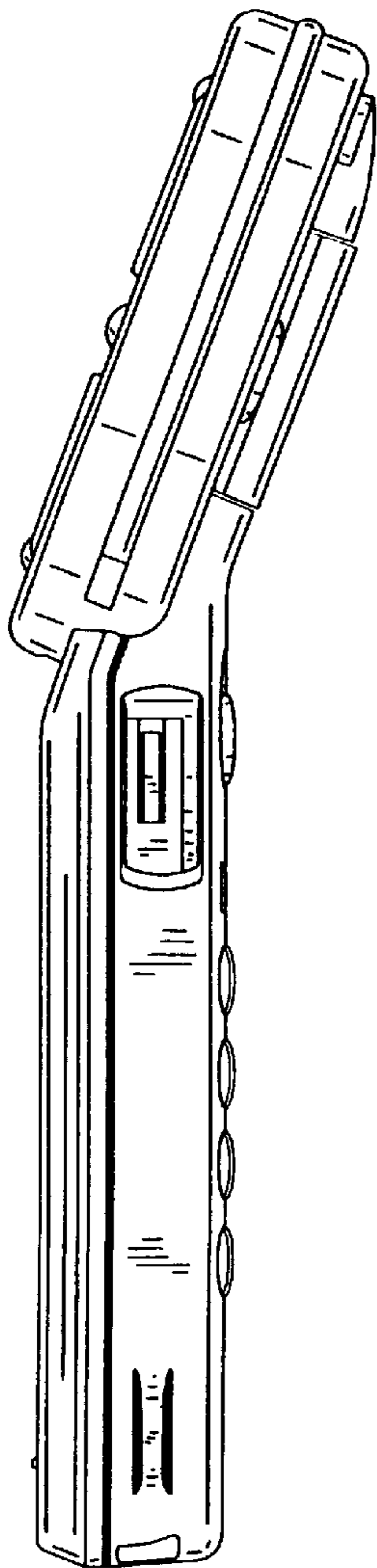


FIG. 4

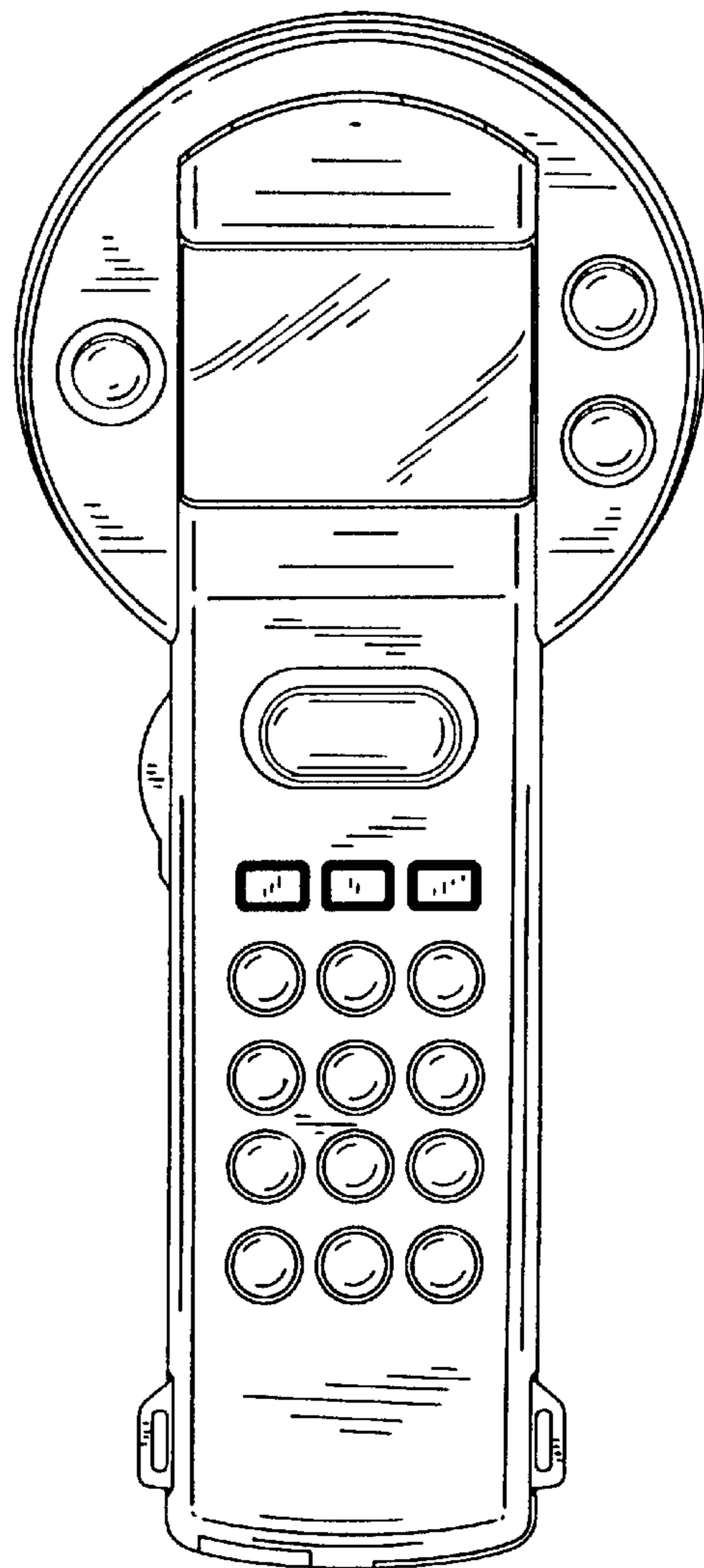


FIG. 6

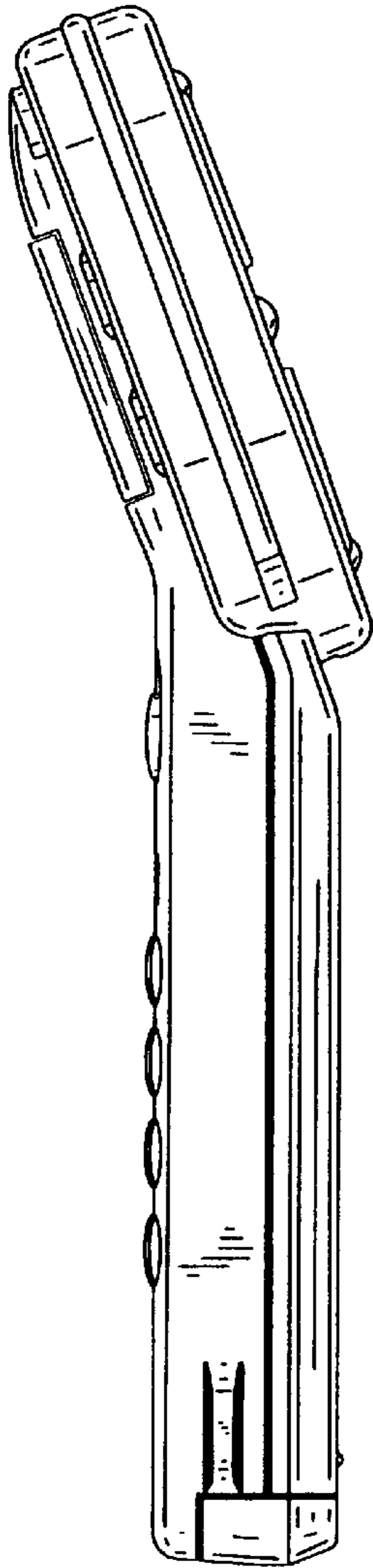


FIG. 7

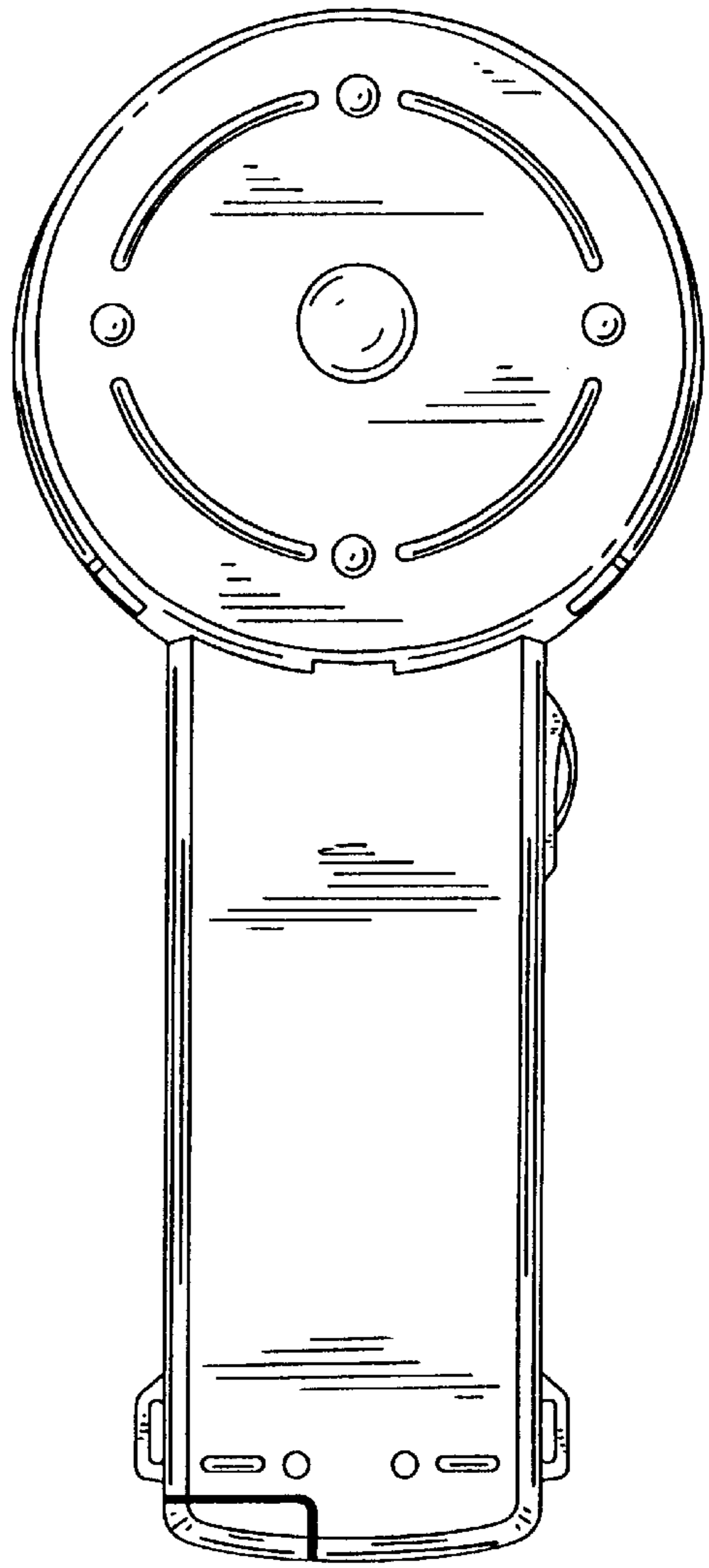


FIG. 5

