



US00D434752S

United States Patent [19] Kudo

[11] **Patent Number: Des. 434,752**

[45] **Date of Patent: ** Dec. 5, 2000**

[54] **FILM ANTENNA FOR A VEHICLE**

5,696,372 12/1997 Grober et al. 343/795

[75] Inventor: **Shigeki Kudo**, Kawasaki, Japan

FOREIGN PATENT DOCUMENTS

[73] Assignee: **Harada Kogyo Kabushiki Kaisha**,
Tokyo, Japan

3129045 10/1982 Germany 343/895

[**] Term: **14 Years**

OTHER PUBLICATIONS

[21] Appl. No.: **29/097,717**

IBM Technical Disclosure Bulletin, vol. 36 No. 09A, p. 433
Antenna on Flexible Carrier (Figs 1 and 2), Sep. 1993.

[22] Filed: **Dec. 11, 1998**

Primary Examiner—Louis S. Zarfaz
Assistant Examiner—Gregory Andoll

[30] Foreign Application Priority Data

Jun. 15, 1998 [JP] Japan 10-16823

[57] CLAIM

[51] **LOC (7) Cl.** **14-03**

The ornamental design for a film antenna for a vehicle, as
shown and described.

[52] **U.S. Cl.** **D14/230; 343/795**

DESCRIPTION

[58] **Field of Search** D14/230–238;
343/700 MS, 702, 795

FIG. 1 is a front elevational view of a film antenna for a
vehicle, showing my new design;
FIG. 2 is a top plan view thereof;
FIG. 3 is a bottom plan view thereof;
FIG. 4 is a right side elevational view thereof;
FIG. 5 is a left side elevational view thereof;
FIG. 6 is a rear elevational view thereof;
FIG. 7 is a front, bottom and left side perspective view
thereof; and,
FIG. 8 is a sectional view taken along line 8—8 of FIG. 1.

[56] References Cited

U.S. PATENT DOCUMENTS

D. 339,352	9/1993	Giles et al.	D14/232
3,020,550	2/1962	Beever	343/795
3,228,030	1/1966	Moore	343/866
4,736,207	4/1988	Siikarla et al.	343/700 MS
5,376,943	12/1994	Blunden et al.	343/795
5,563,616	10/1996	Dempsey et al.	343/700 MS
5,668,559	9/1997	Baro	343/702

1 Claim, 2 Drawing Sheets

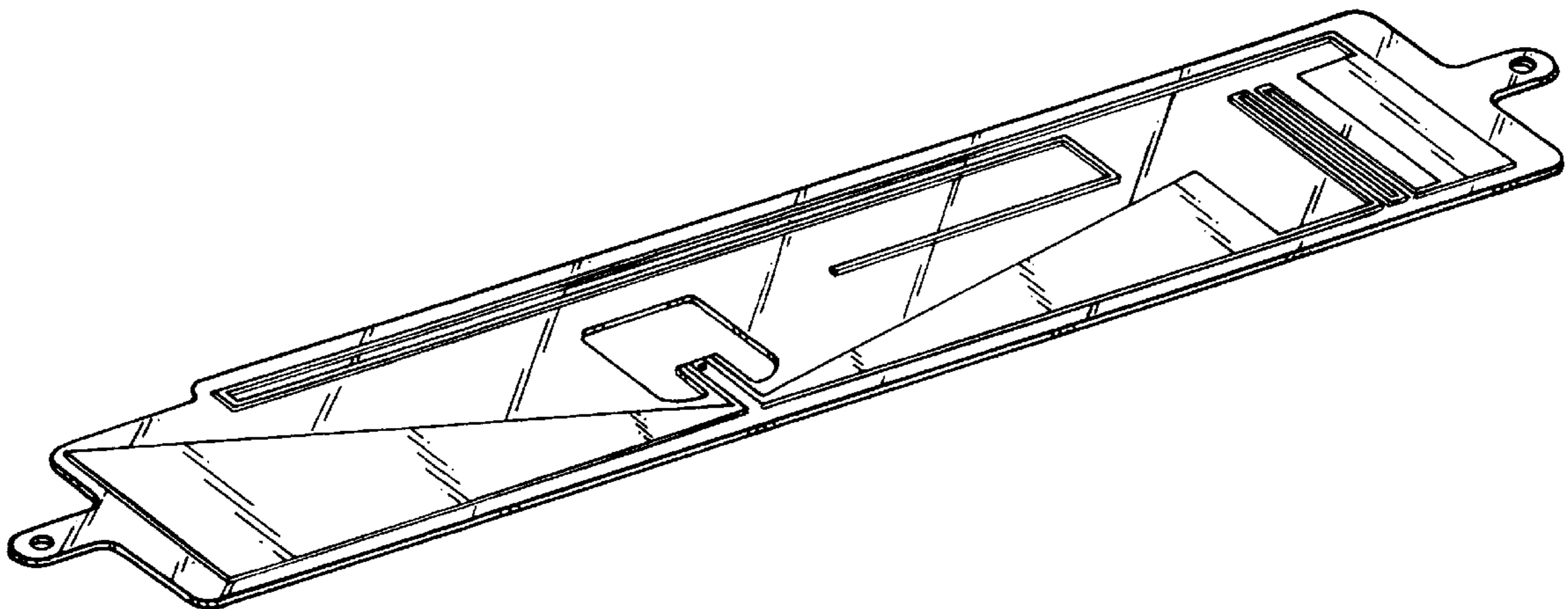


FIG.2



FIG.4



FIG.1

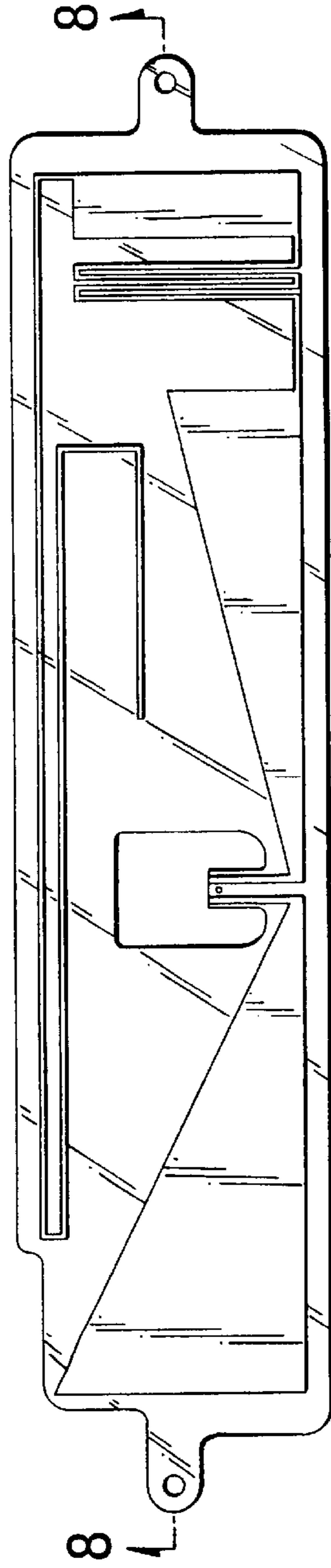


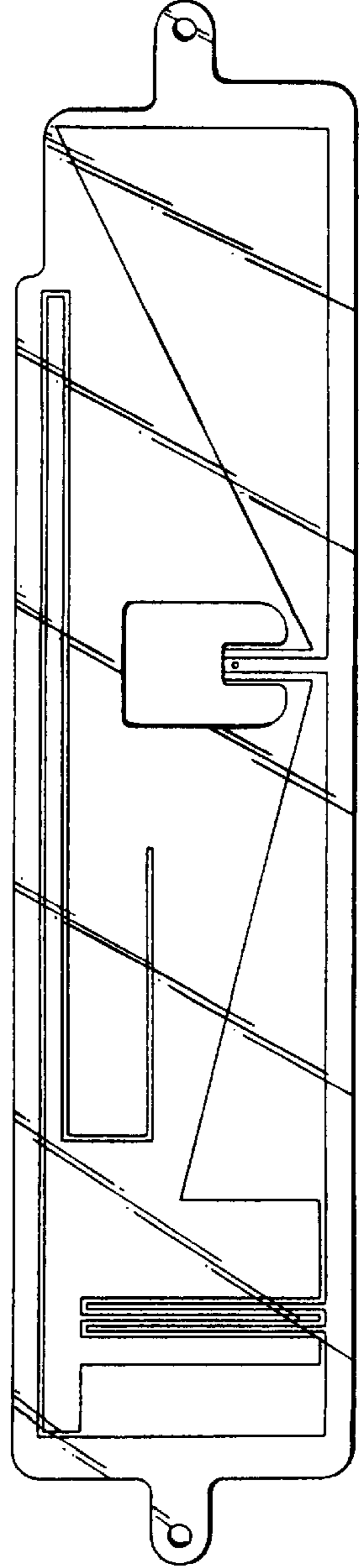
FIG.5



FIG.3



FIG.6



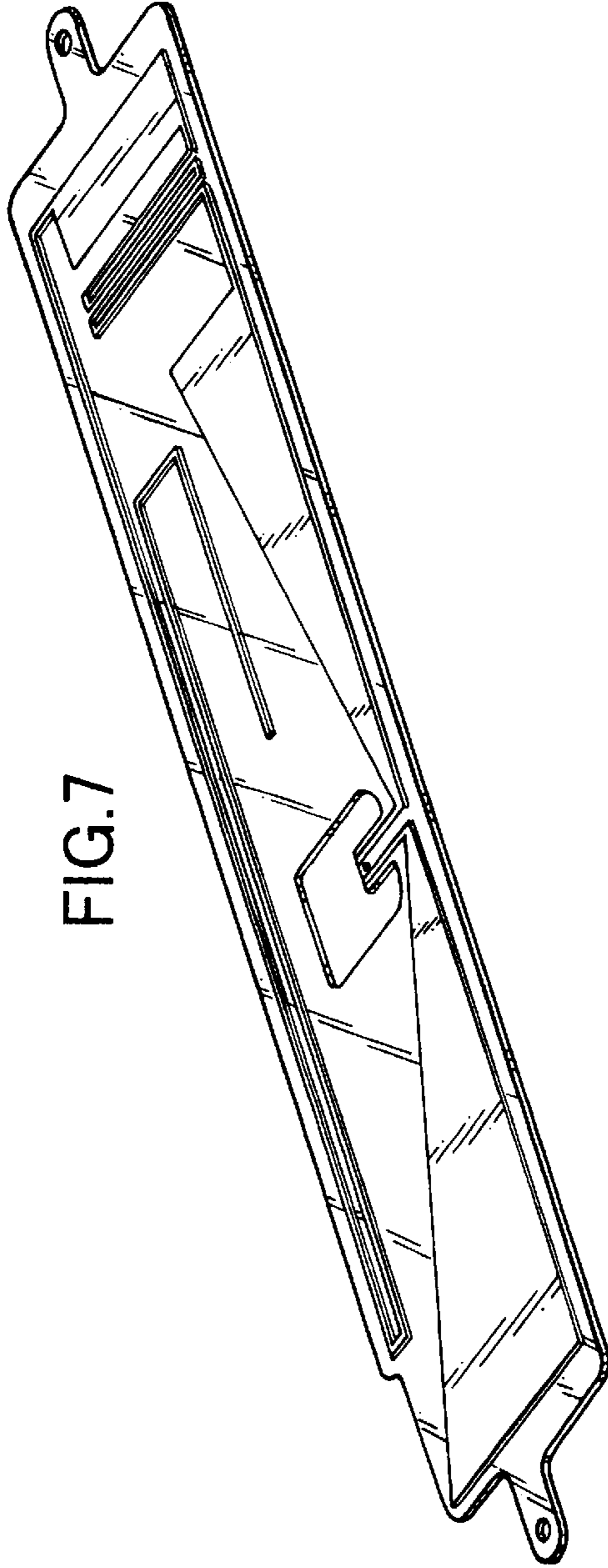


FIG. 7

FIG. 8

