



US00D434751S

United States Patent [19]

Sogabe et al.

[11] Patent Number: **Des. 434,751**

[45] Date of Patent: **** Dec. 5, 2000**

[54] **SPEAKER BOX**

4,624,338 11/1986 Fwald 181/199 X

[75] Inventors: **Takashi Sogabe; Jun Komiyama**, both of Tokyo, Japan

OTHER PUBLICATIONS

“Sony Style,” Sony (1998), pp. 85 & 226.
“Sony Product Range 98”, Sony (1998), p. 16.

[73] Assignee: **Sony Corporation**, Japan

Primary Examiner—Nanda Bondade
Attorney, Agent, or Firm—Rader, Fishman&Grauer

[**] Term: **14 Years**

[21] Appl. No.: **29/119,579**

[57] CLAIM

The ornamental design for a speaker box, as shown and described.

[22] Filed: **Feb. 29, 2000**

[51] **LOC (7) Cl.** **14-01**

[52] **U.S. Cl.** **D14/215; D14/214**

[58] **Field of Search** D14/204, 210–216;
181/144–148, 153, 157, 198, 199; 381/300–302,
307, 359, 361, 363, 386

DESCRIPTION

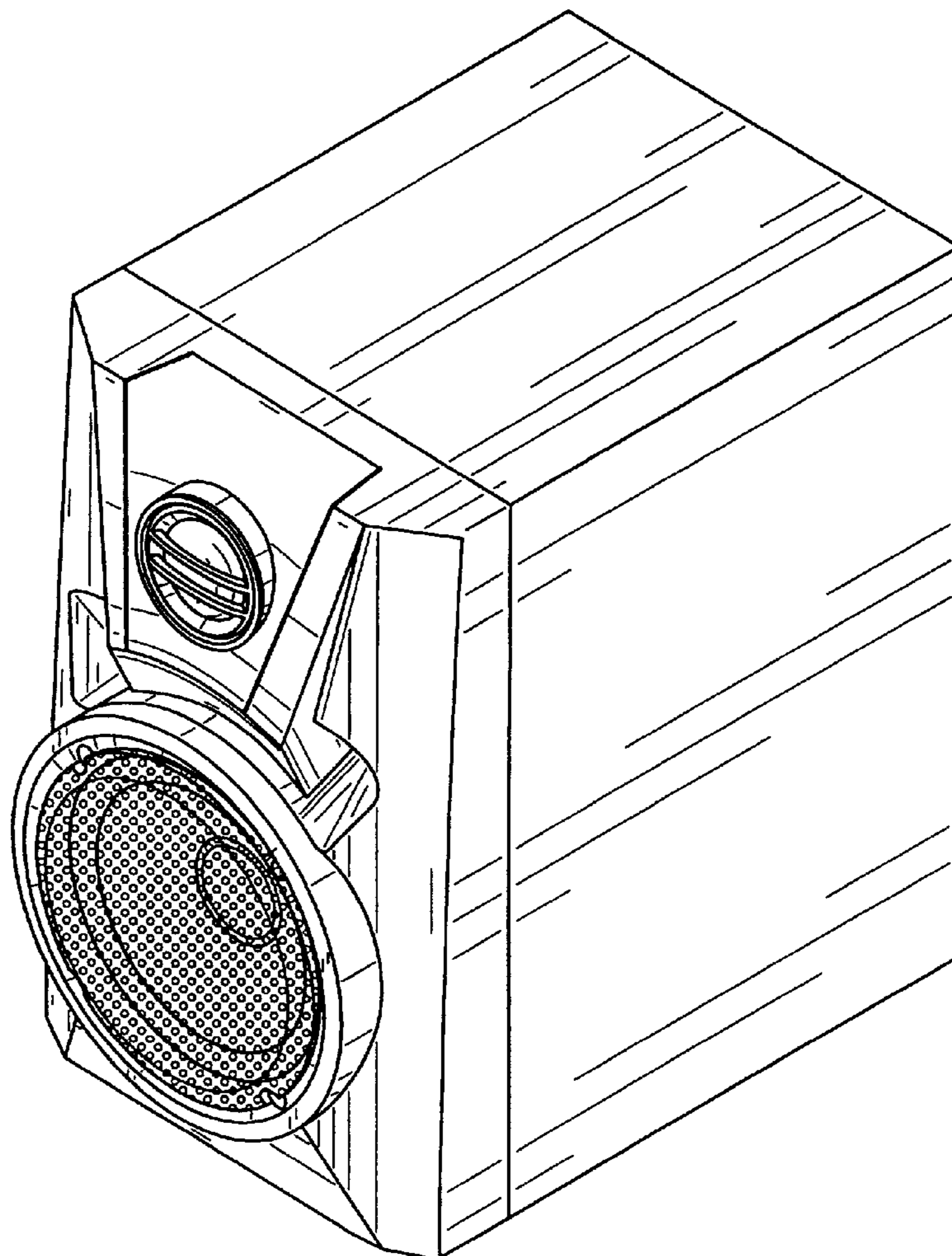
FIG. 1 is a perspective view of the front portion of a speaker box showing our design;
FIG. 2 is a top plan view thereof;
FIG. 3 is a bottom plan view thereof;
FIG. 4 is a left side elevational view thereof;
FIG. 5 is a right side elevational view thereof;
FIG. 6 is a front elevational view thereof; and,
FIG. 7 is a rear elevational view thereof.

[56] References Cited

U.S. PATENT DOCUMENTS

D. 381,335	7/1997	Whitehead	D14/204
D. 402,988	12/1998	Shin et al.	D14/214
D. 418,511	1/2000	Suzuki	D14/214 X
3,967,065	6/1976	Ward	181/148

1 Claim, 4 Drawing Sheets



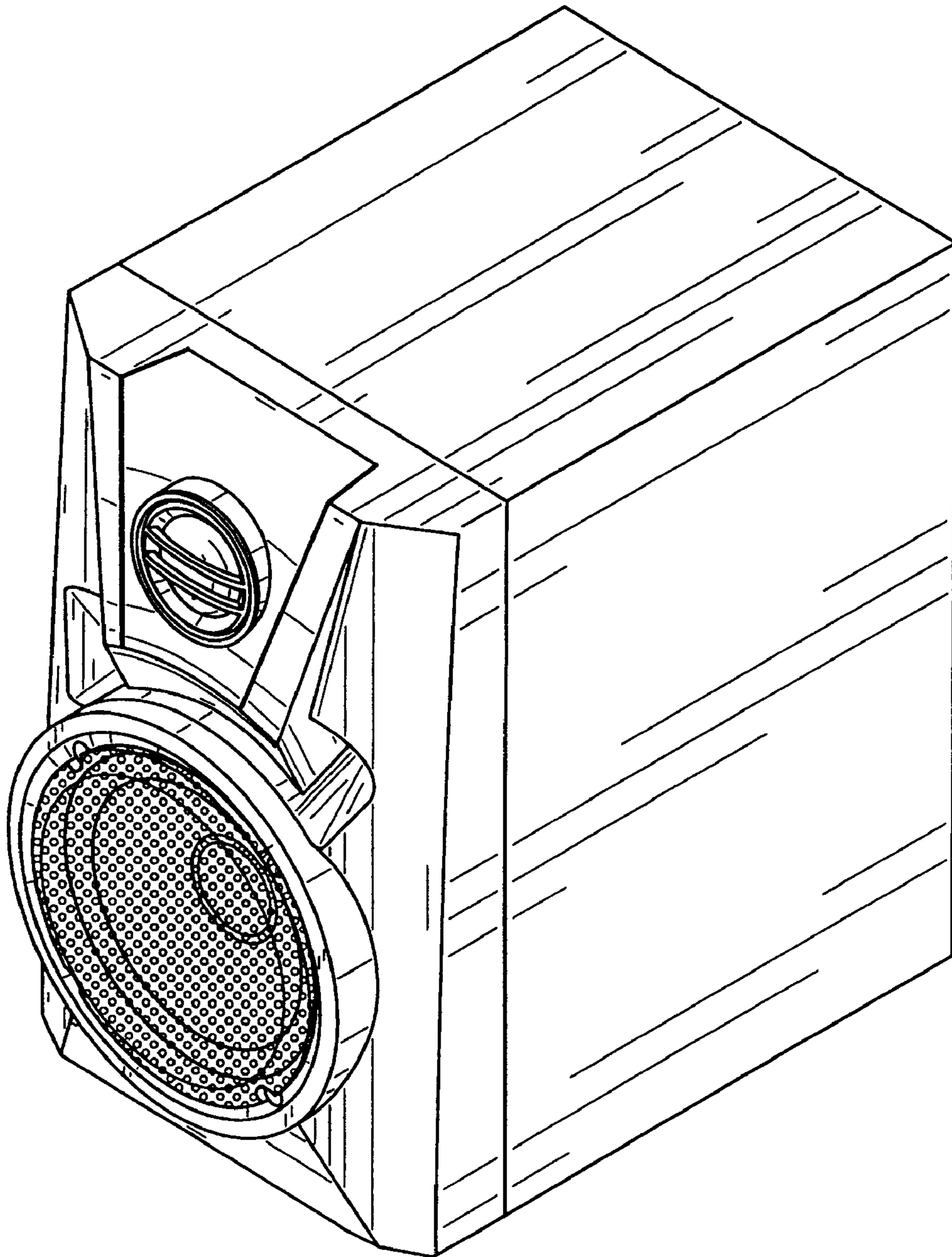


FIG. 1

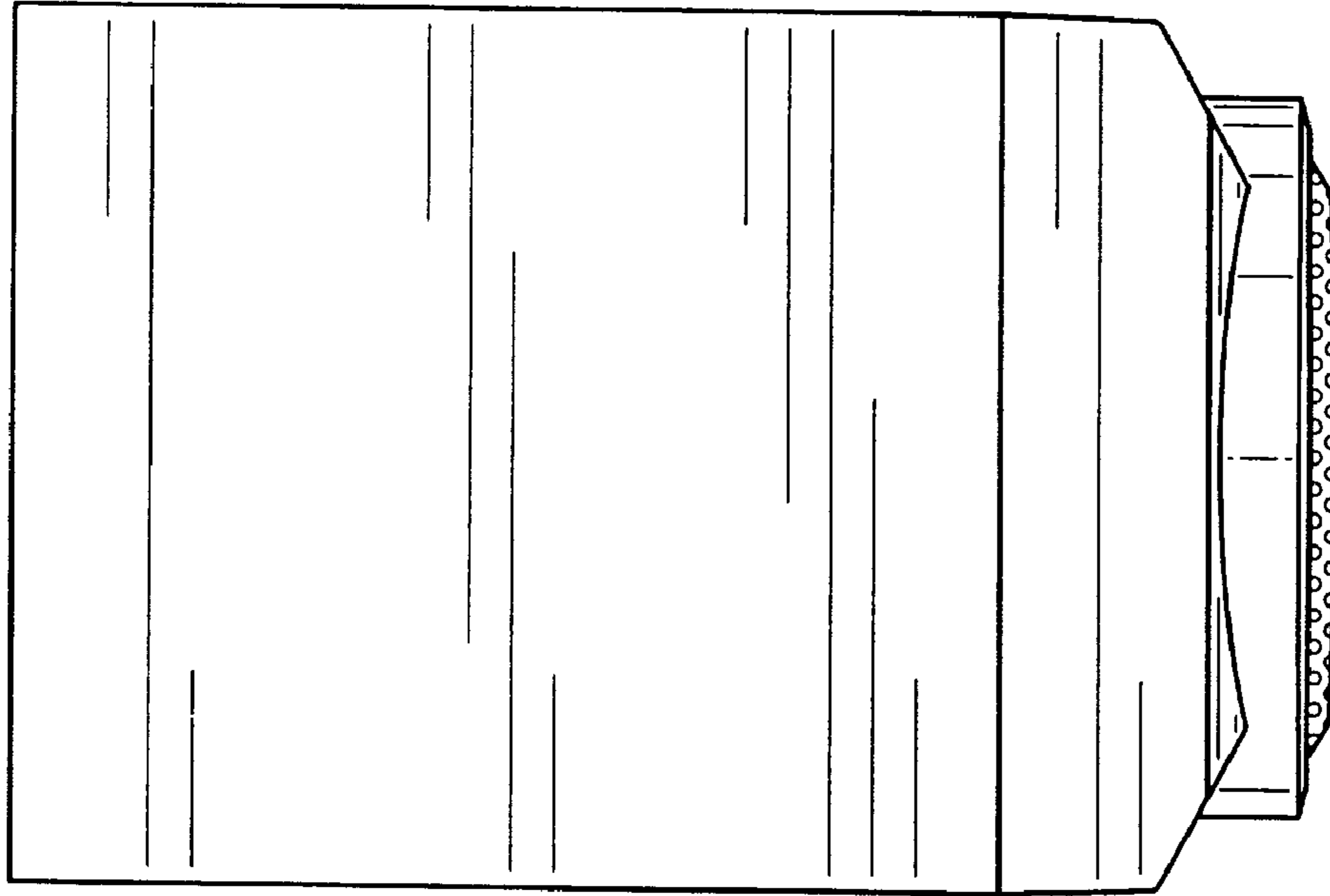


FIG. 2

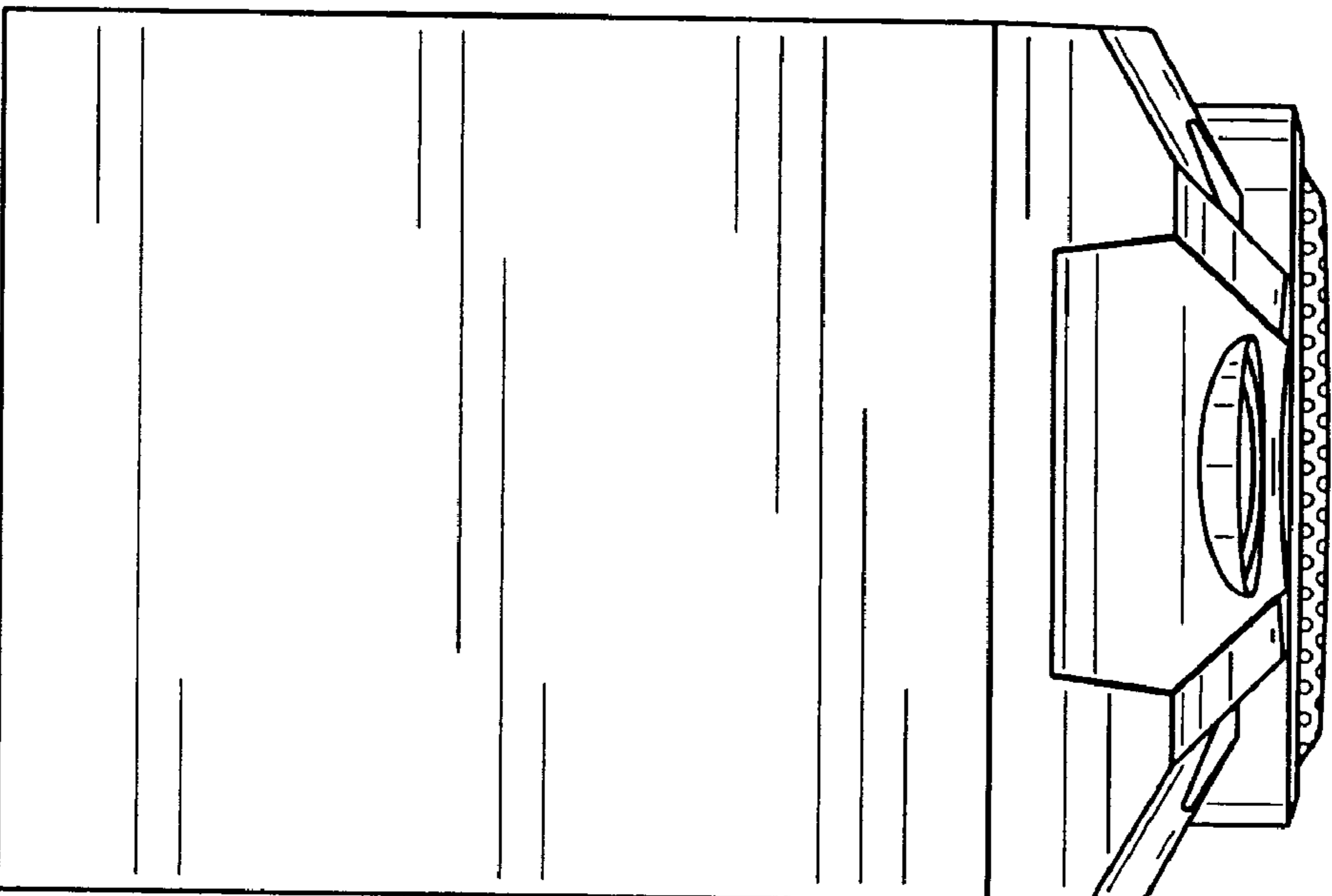


FIG. 3

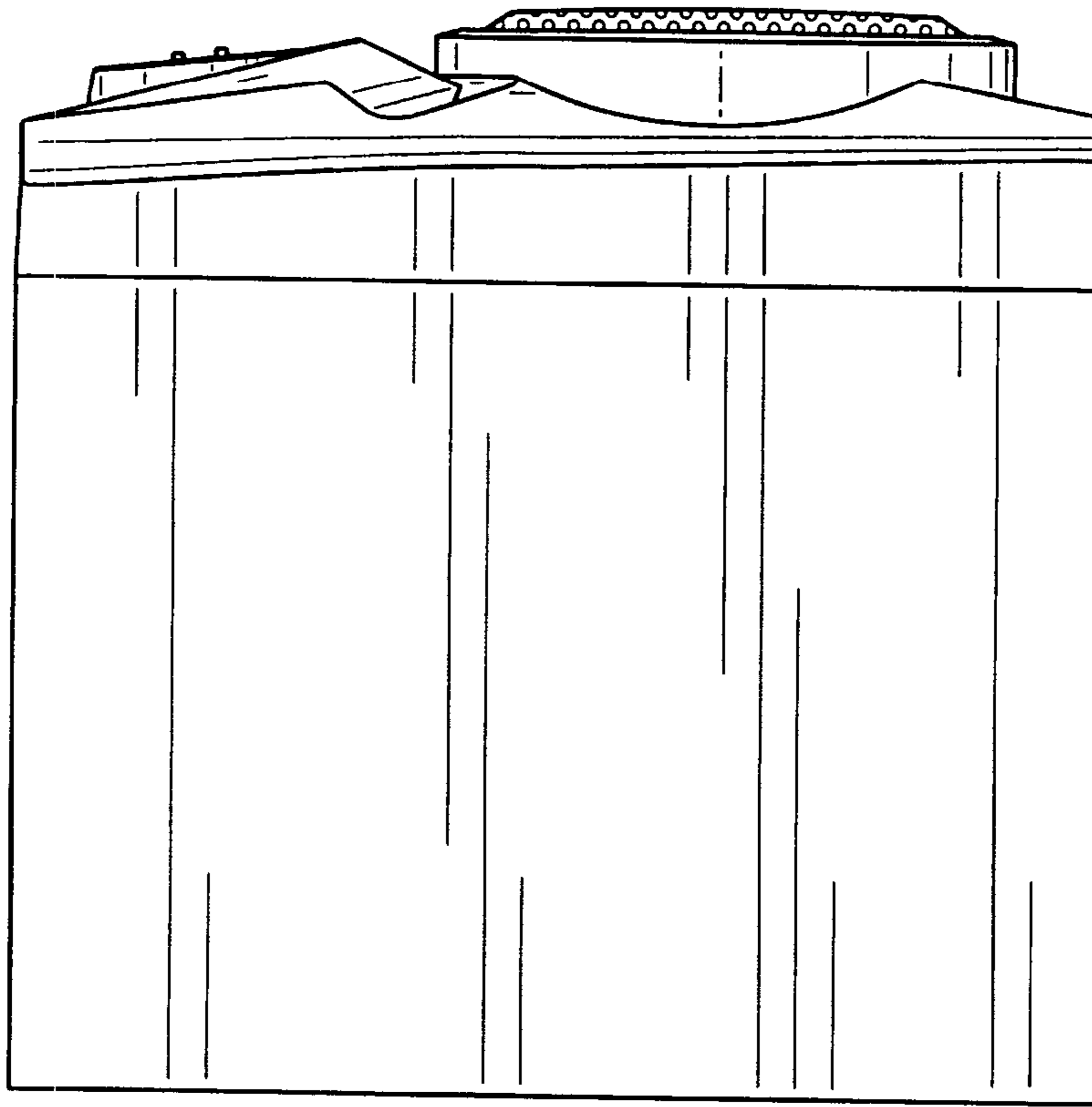


FIG. 5

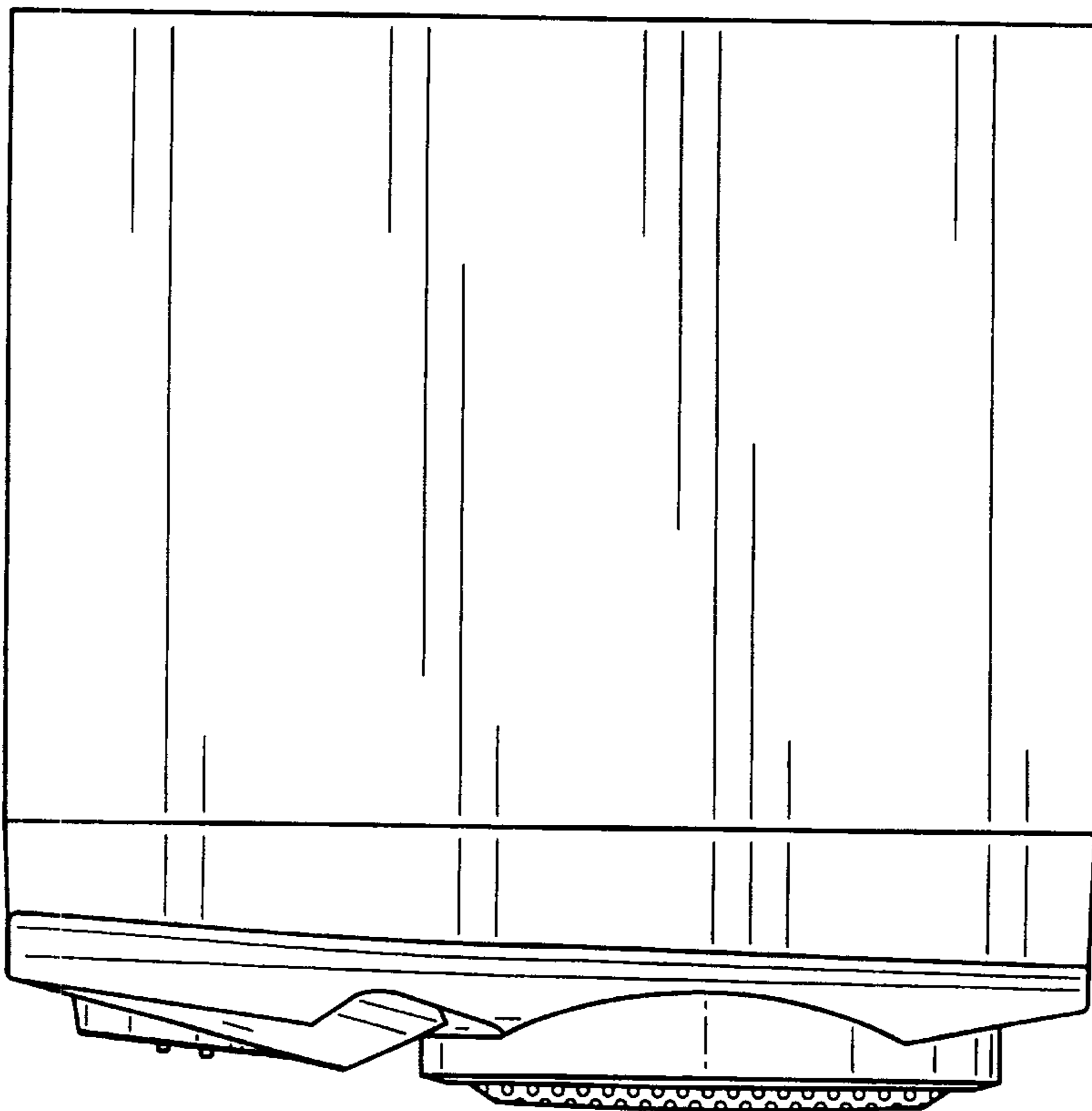


FIG. 4

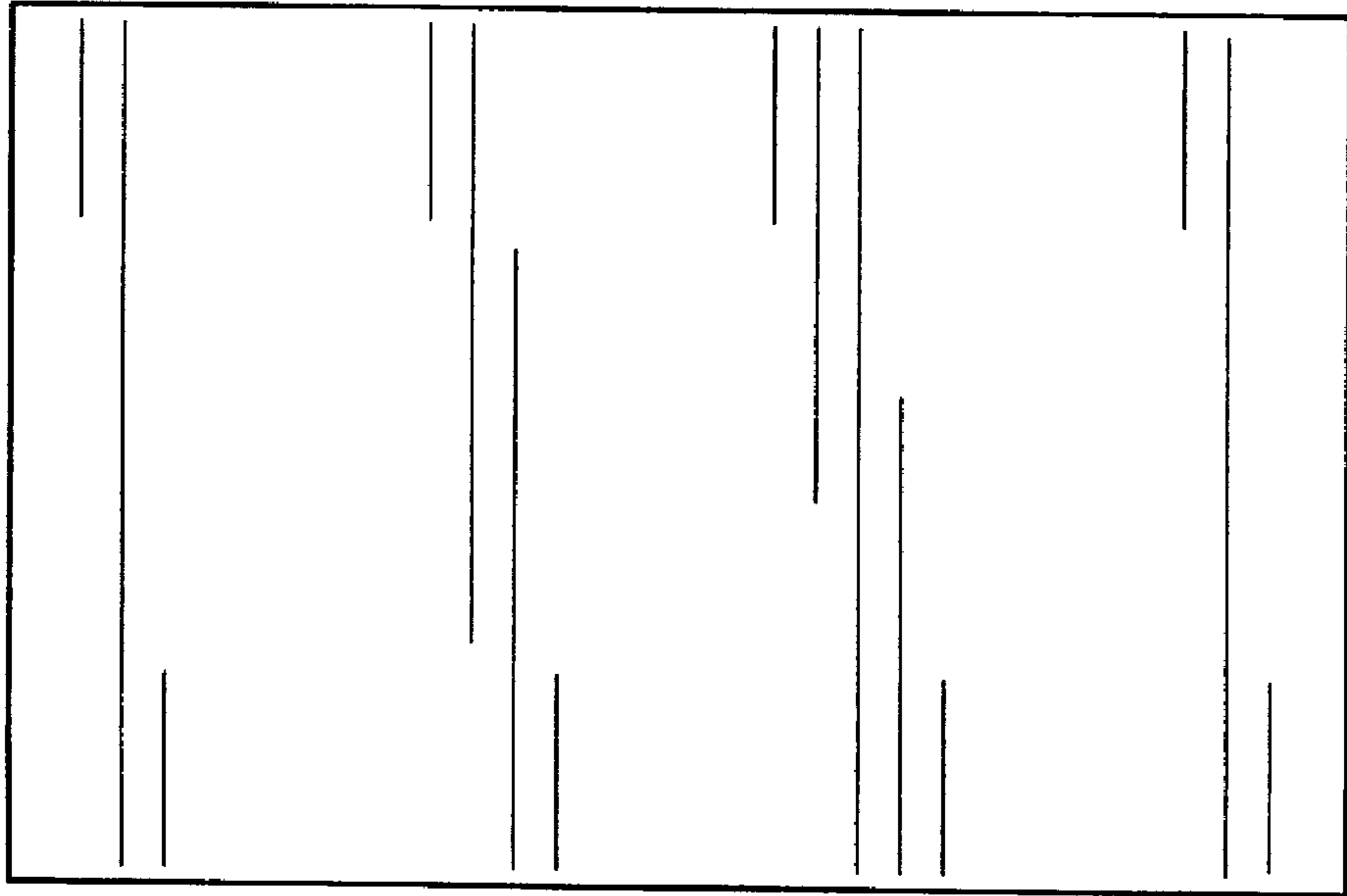


FIG. 7

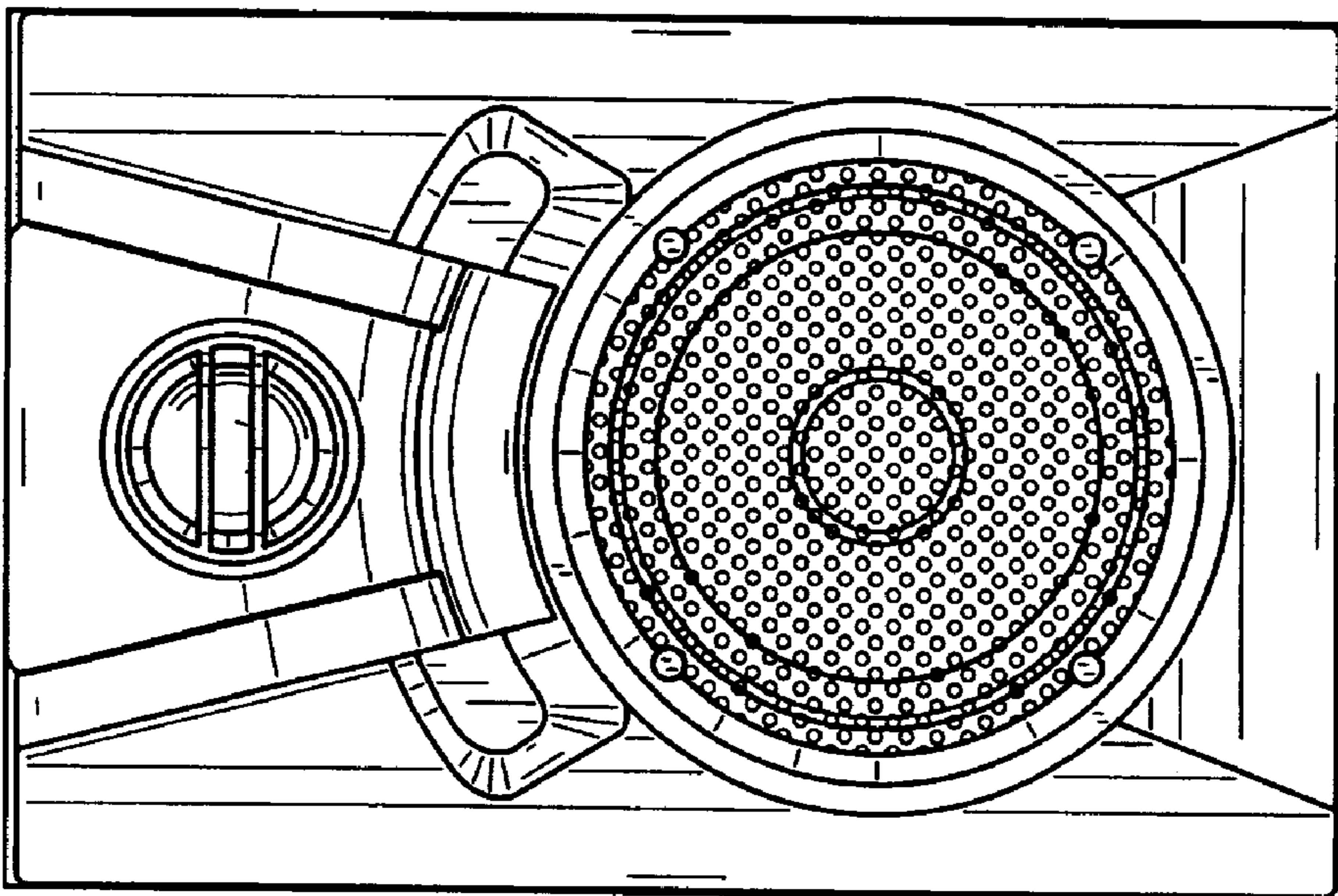


FIG. 6