



US00D434749S

United States Patent [19]

Ito et al.

[11] **Patent Number: Des. 434,749**

[45] **Date of Patent: ** Dec. 5, 2000**

[54] **COMBINED DIGITAL AUDIO DISC PLAYER, AMPLIFIER AND TUNER**

D. 371,362	7/1996	Deguchi	D14/156
D. 406,264	3/1999	Zeitman	D14/156
D. 408,408	4/1999	Ito et al.	D14/156

[75] Inventors: **Masafumi Ito; Yukio Iikura; Keiji Tsunoda; Hiroyuki Watanabe; Ayumi Kobayashi**, all of Musashino, Japan

Primary Examiner—Nanda Bondade
Attorney, Agent, or Firm—Ladas & Parry

[73] Assignee: **TEAC Corporation**, Tokyo, Japan

[57] **CLAIM**

[**] Term: **14 Years**

The ornamental design for a combined digital audio disc player, amplifier and tuner, as shown and described.

[21] Appl. No.: **29/111,663**

[22] Filed: **Sep. 29, 1999**

DESCRIPTION

[30] **Foreign Application Priority Data**

Apr. 9, 1999 [JP] Japan 11-9263

FIG. 1 is a perspective view of a combined digital audio disc player, amplifier and tuner showing our new design;

[51] **LOC (7) Cl.** **14-01**

FIG. 2 is a bottom view thereof;

[52] **U.S. Cl.** **D14/168; D14/156; D14/188**

FIG. 3 is a top view thereof;

[58] **Field of Search** D14/135, 136, D14/156, 157, 160-163, 167-168, 188, 193-198; 369/75.1, 75.2, 77.1, 77.2

FIG. 4 is a left side view thereof;

FIG. 5 is a right side view thereof;

FIG. 6 is a front view thereof; and,

FIG. 7 is a rear view thereof.

[56] **References Cited**

U.S. PATENT DOCUMENTS

D. 317,306 6/1991 Hong D14/135 X

1 Claim, 3 Drawing Sheets

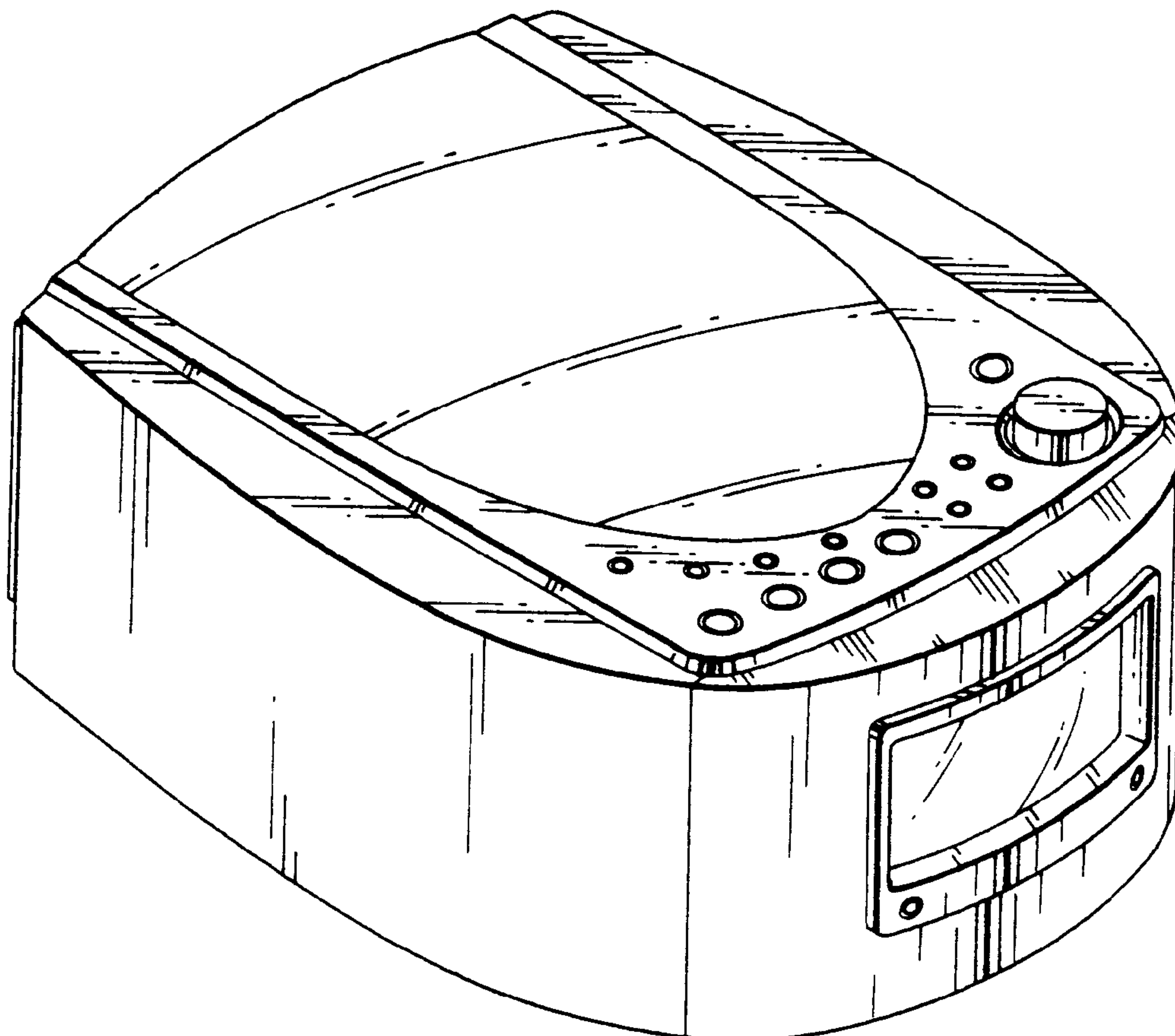


FIG. 1

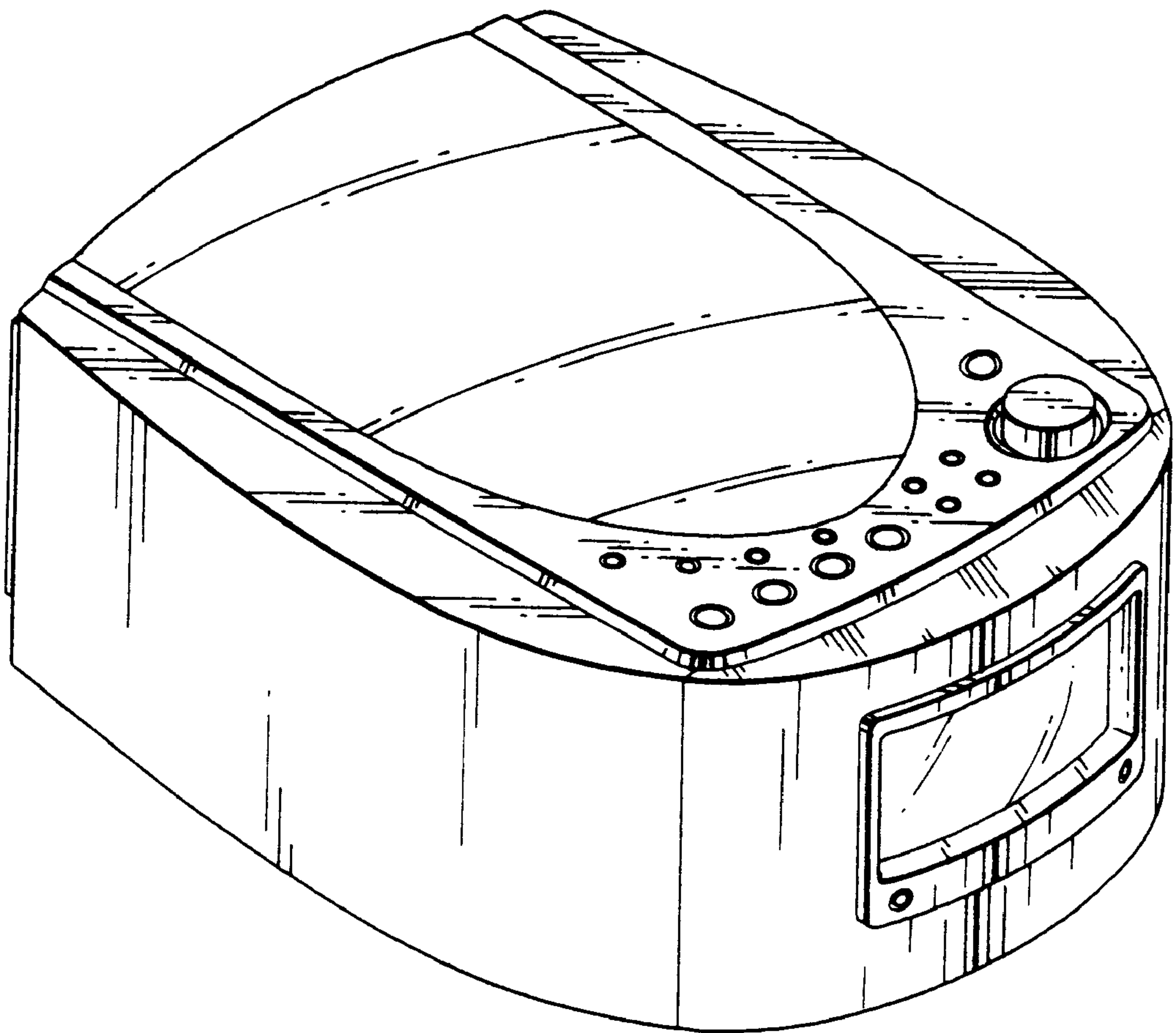


FIG. 2

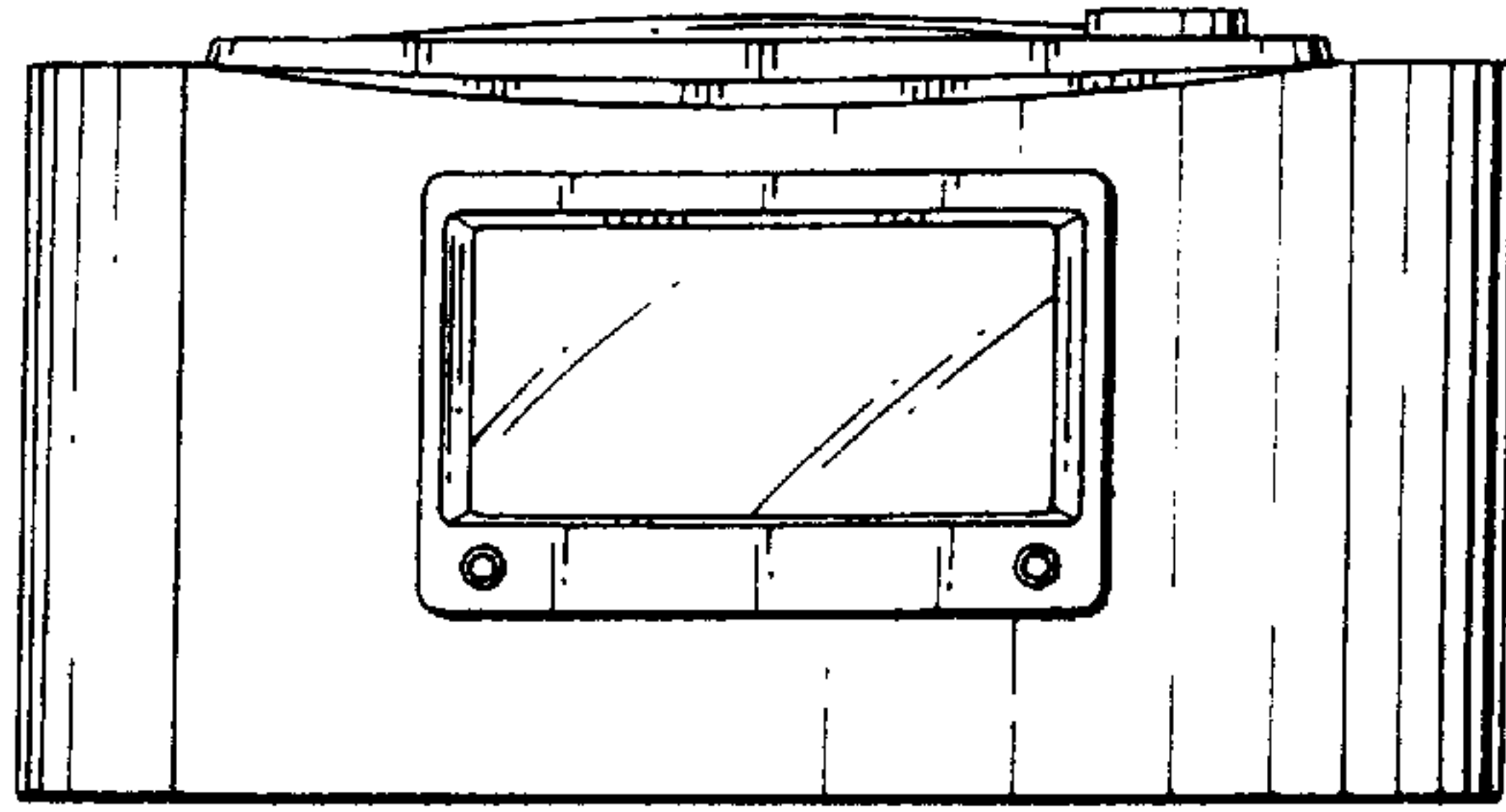


FIG. 3

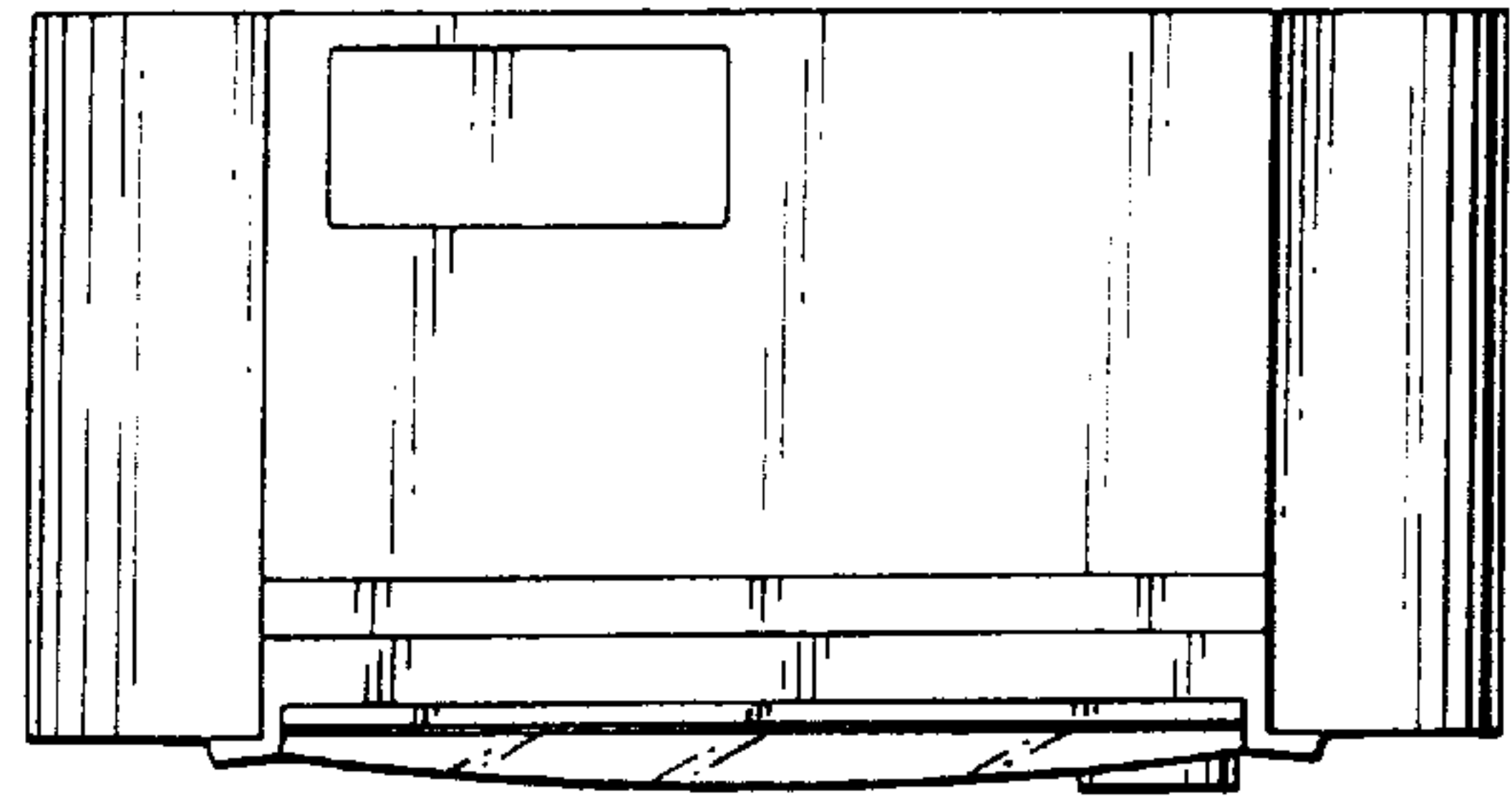


FIG. 4

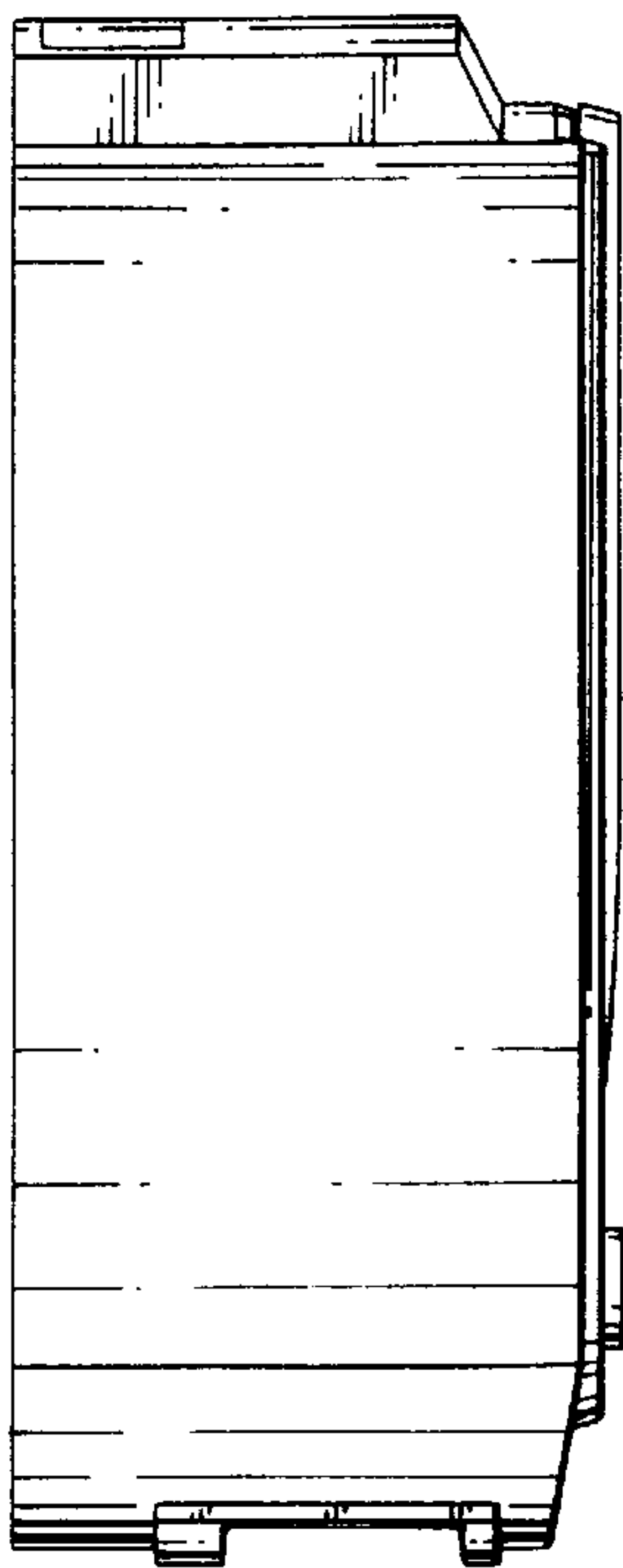


FIG. 5

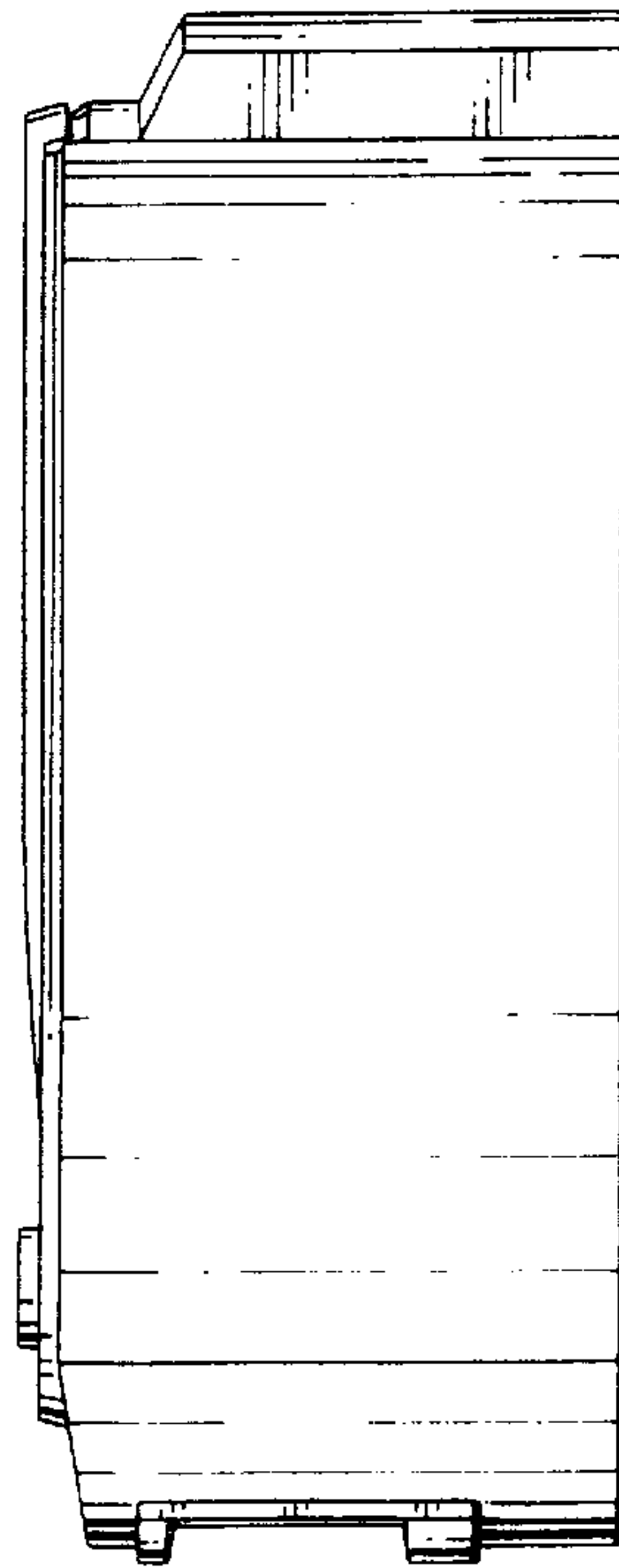


FIG. 6

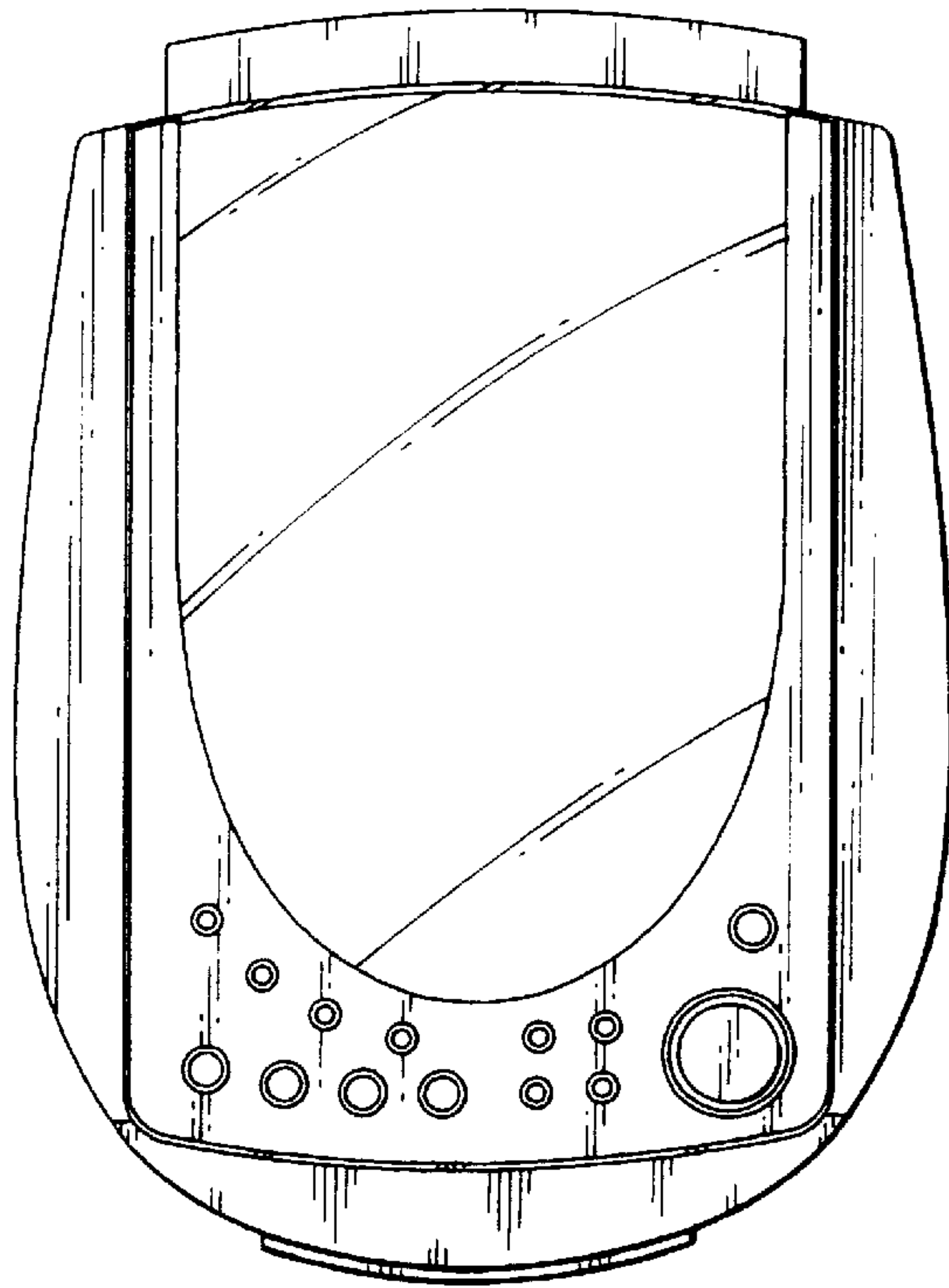


FIG. 7

