



US00D434746S

United States Patent [19] Chung

[11] Patent Number: Des. 434,746

[45] Date of Patent: ** Dec. 5, 2000

[54] COIN PHONE

[76] Inventor: **Johnny Chung**, 2nd Floor, No. 120-13,
Sec. 3, Chung Shan Road, Chung Ho
City, Taipei Hsien, Taiwan

[**] Term: **14 Years**

[21] Appl. No.: **29/125,638**

[22] Filed: **Jun. 28, 2000**

[51] LOC (7) Cl. **14-03**

[52] U.S. Cl. **D14/146**

[58] Field of Search D14/130, 140,
D14/142, 149-151, 146, 240; 379/433-436,
419, 420, 428, 440, 430, 453, 143-155,
368, 441, 442

[56] **References Cited**

U.S. PATENT DOCUMENTS

D. 233,611	11/1974	Kramer et al.	D14/146
D. 304,190	10/1989	Rose	D14/142
D. 305,332	1/1990	Schremmer et al.	D14/146
D. 306,443	3/1990	Su	D14/146
D. 315,485	3/1991	Schremmer et al.	D14/146
D. 324,519	3/1992	Chen	D14/146
D. 342,251	12/1993	Hird et al.	D14/146

D. 359,489	6/1995	Kwon et al.	D14/146
D. 375,307	11/1996	Lamora	D14/146
D. 388,083	12/1997	Chung	D14/146
D. 410,235	5/1999	Su	D14/146
D. 423,496	4/2000	Chuang	D14/146
D. 429,710	8/2000	Lalin	D14/146
4,974,257	11/1990	Ibanez et al.	379/143
5,471,529	11/1995	Hsu	379/438
5,483,583	1/1996	Chen	379/146

Primary Examiner—Jeffrey Asch
Attorney, Agent, or Firm—Rosenberg, Klein & Lee

[57] **CLAIM**

The ornamental design for a coin phone, as shown and described.

DESCRIPTION

FIG. 1 is a top, front and right side perspective view of a coin phone showing my new design;
FIG. 2 is a front elevational view thereof;
FIG. 3 is a rear elevational view thereof;
FIG. 4 is a top plan view thereof;
FIG. 5 is a bottom plan view thereof;
FIG. 6 is a left side elevational view thereof; and,
FIG. 7 is a right side elevational view thereof.

1 Claim, 7 Drawing Sheets





FIG. 1

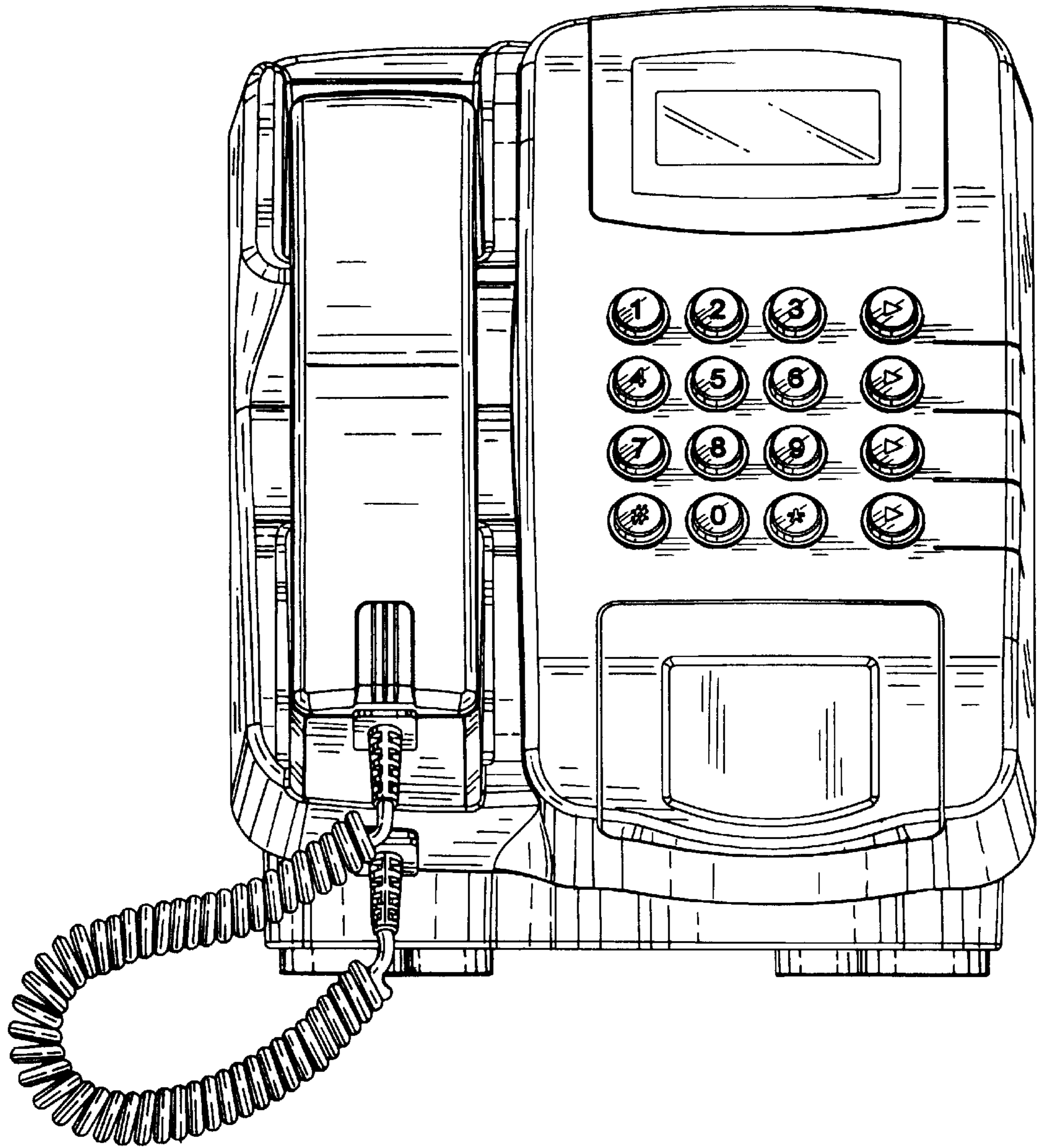


FIG. 2

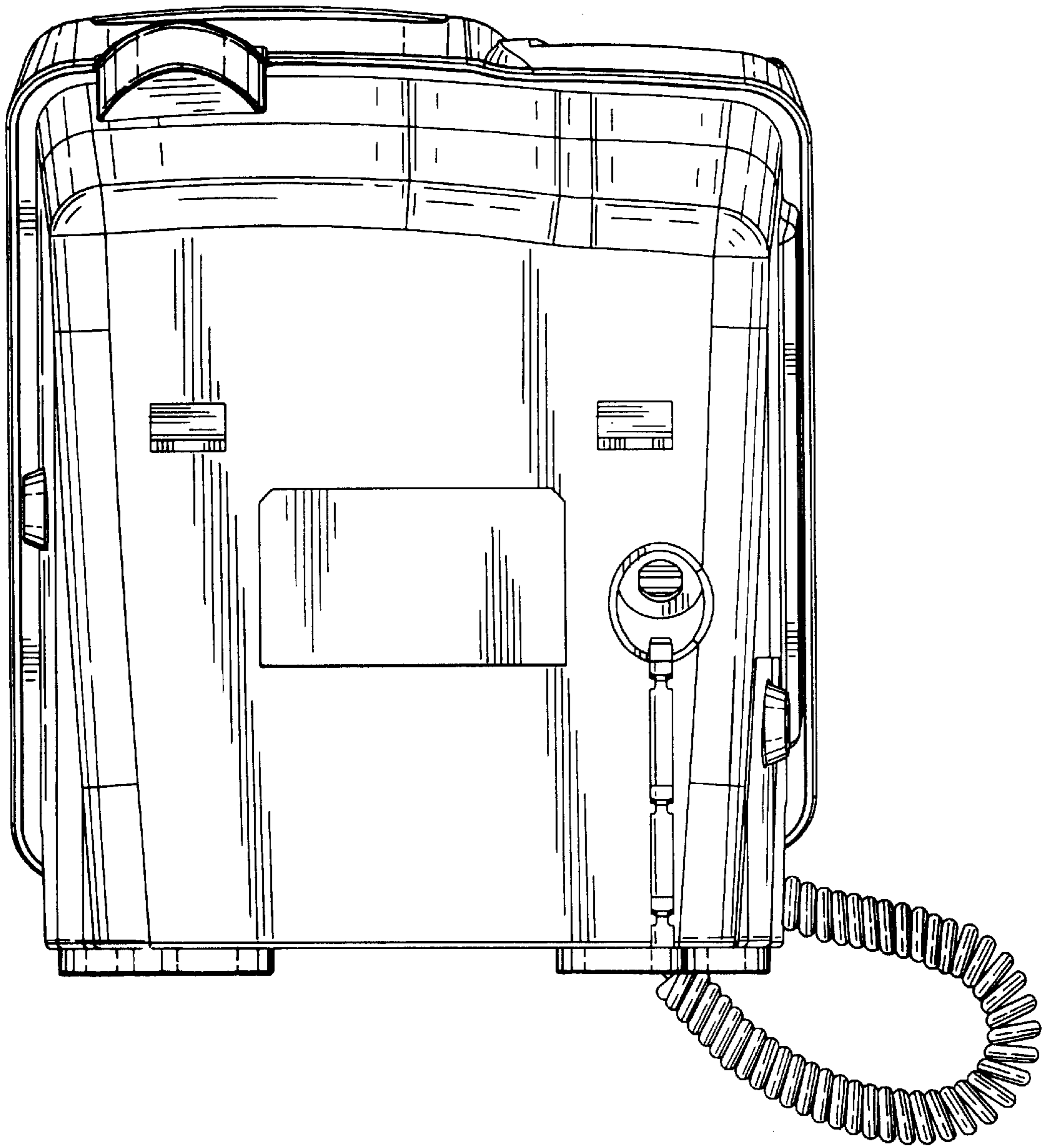


FIG. 3

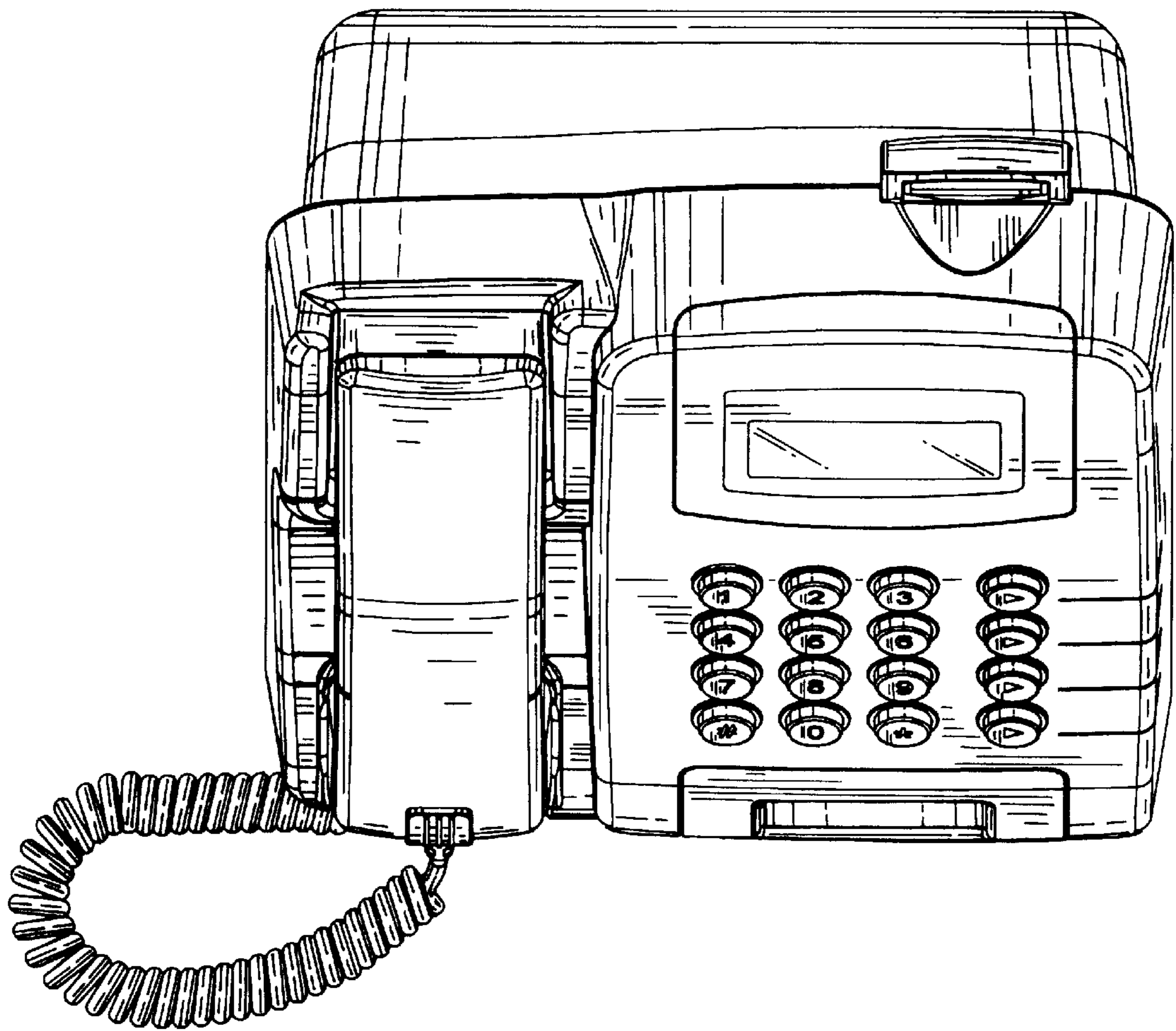


FIG. 4

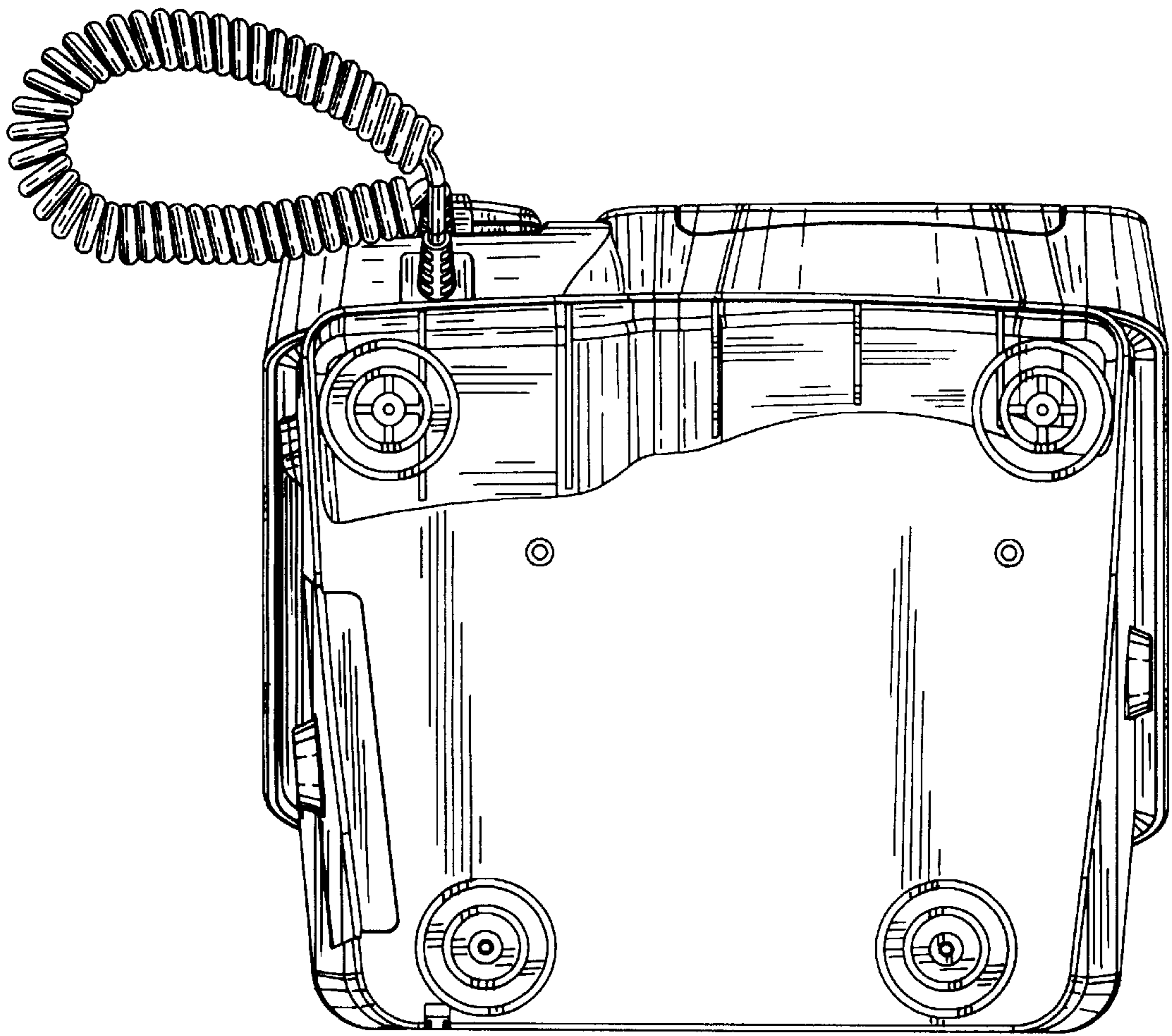


FIG. 5

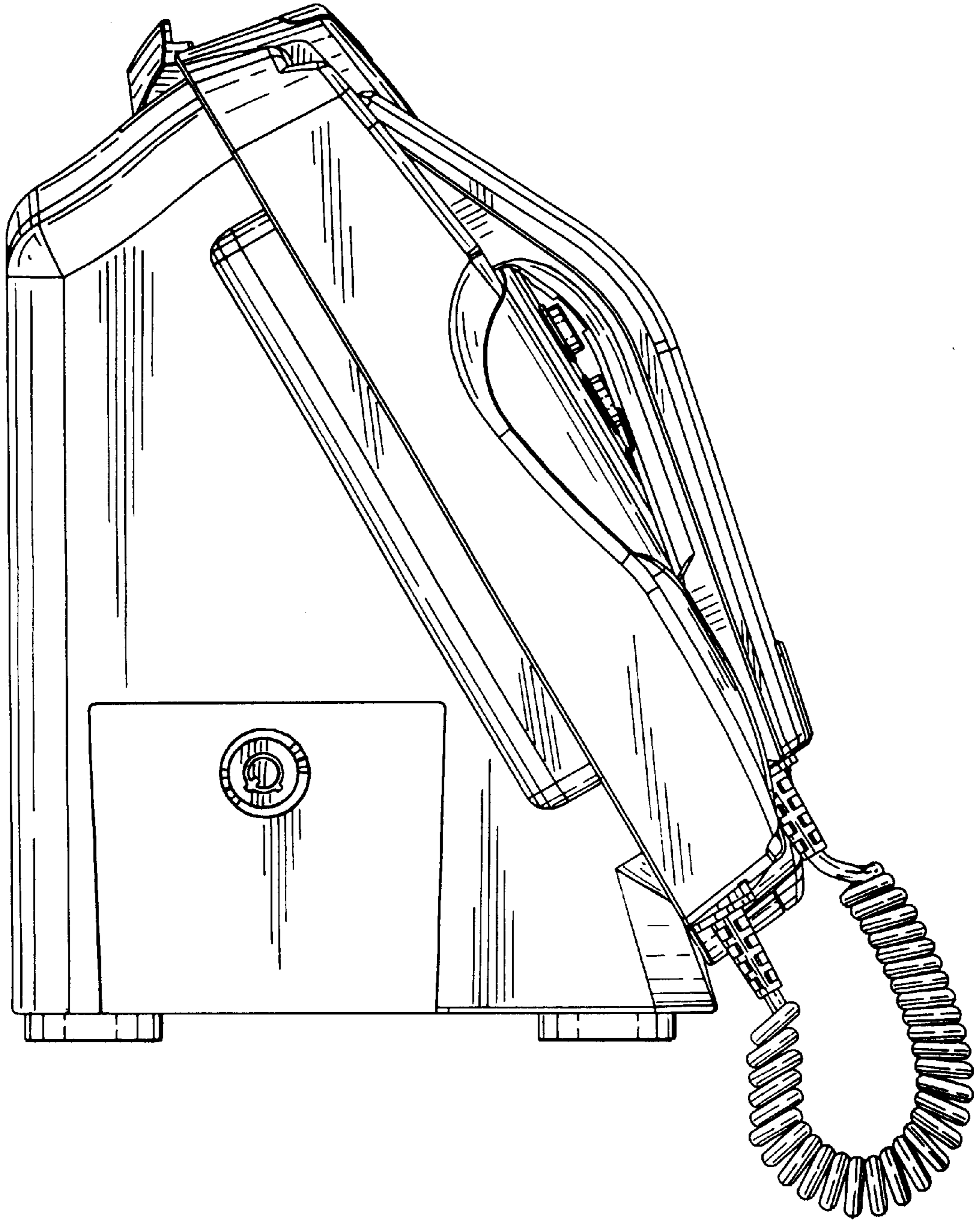


FIG. 6

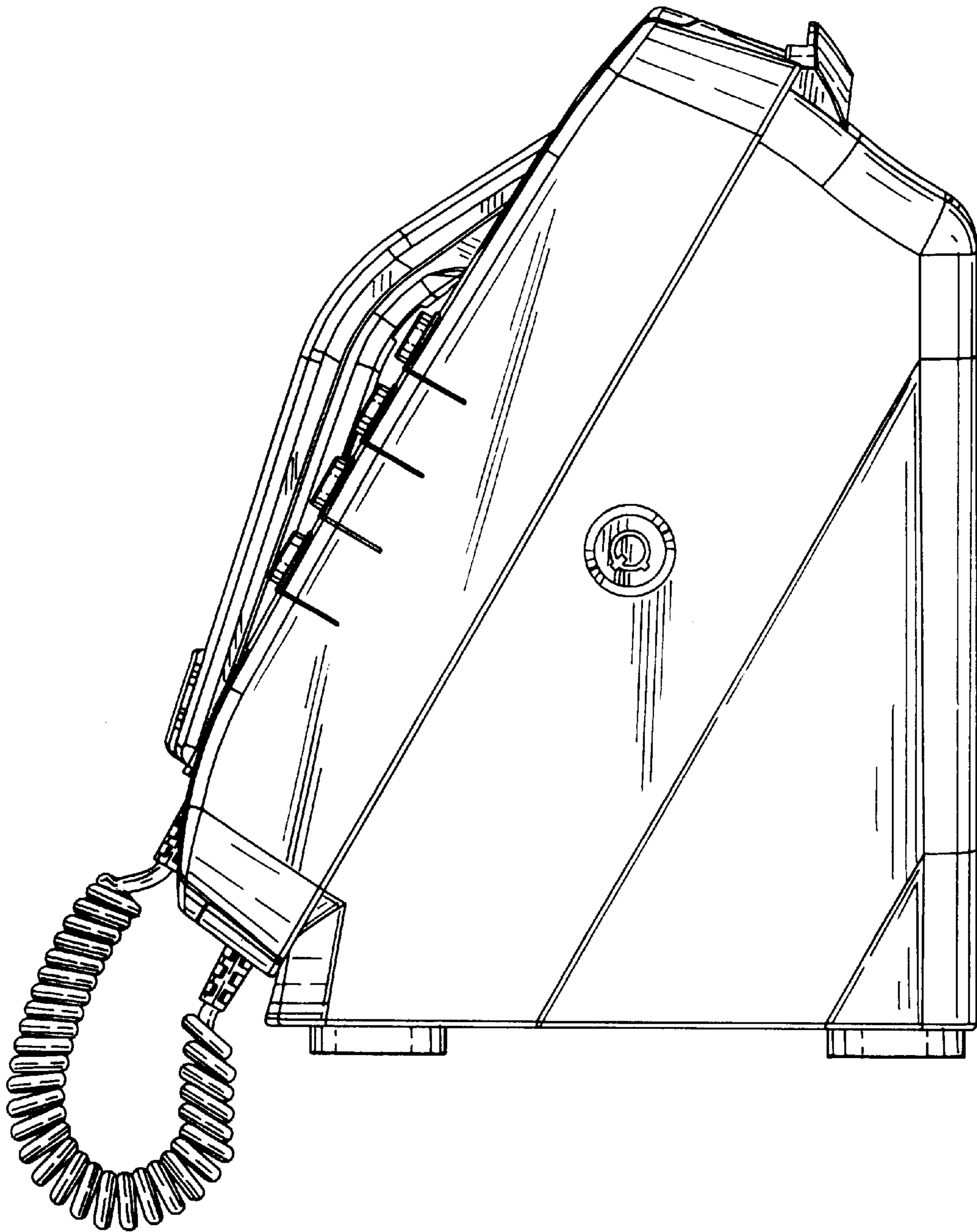


FIG. 7