



US00D434738S

# United States Patent [19] Takemasa

[11] **Patent Number: Des. 434,738**

[45] **Date of Patent: \*\* Dec. 5, 2000**

[54] **TELEVISION RECEIVER**

[75] Inventor: **Hirofumi Takemasa**, Osaka, Japan

[73] Assignee: **Matsushita Electric Industrial Co., Ltd.**, Japan

[\*\*] Term: **14 Years**

[21] Appl. No.: **29/102,032**

[22] Filed: **Mar. 16, 1999**

[30] **Foreign Application Priority Data**

Sep. 28, 1998 [JP] Japan ..... 10-27741

[51] **LOC (7) Cl.** ..... **14-03**

[52] **U.S. Cl.** ..... **D14/133**

[58] **Field of Search** ..... D14/113, 126-134;  
312/7.2; 348/836, 838

[56] **References Cited**

**U.S. PATENT DOCUMENTS**

D. 321,346 11/1991 Sugiyama ..... D14/129

D. 380,213 6/1997 Morimiya ..... D14/126

D. 392,628 3/1998 Hayashi ..... D14/113  
D. 393,462 4/1998 Morimiya ..... D14/126  
D. 394,248 5/1998 Duan ..... D14/113

**OTHER PUBLICATIONS**

Panasonic Model Th-42PM1 catalogue issued Dec. 1, 1997.

*Primary Examiner*—Richelle Shelton  
*Attorney, Agent, or Firm*—SAIDMAN DesignLaw Group

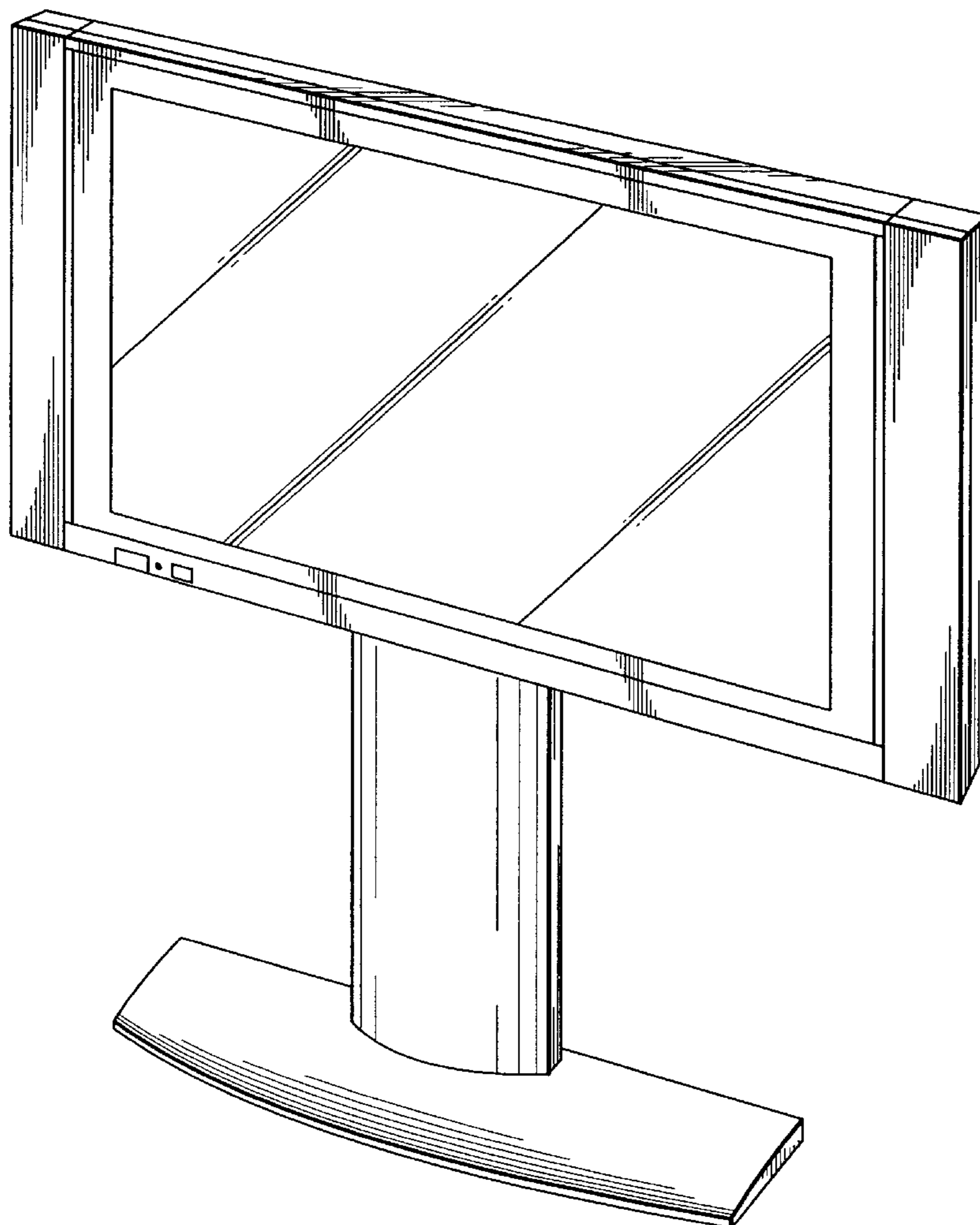
[57] **CLAIM**

The ornamental design for a television receiver, as shown and described.

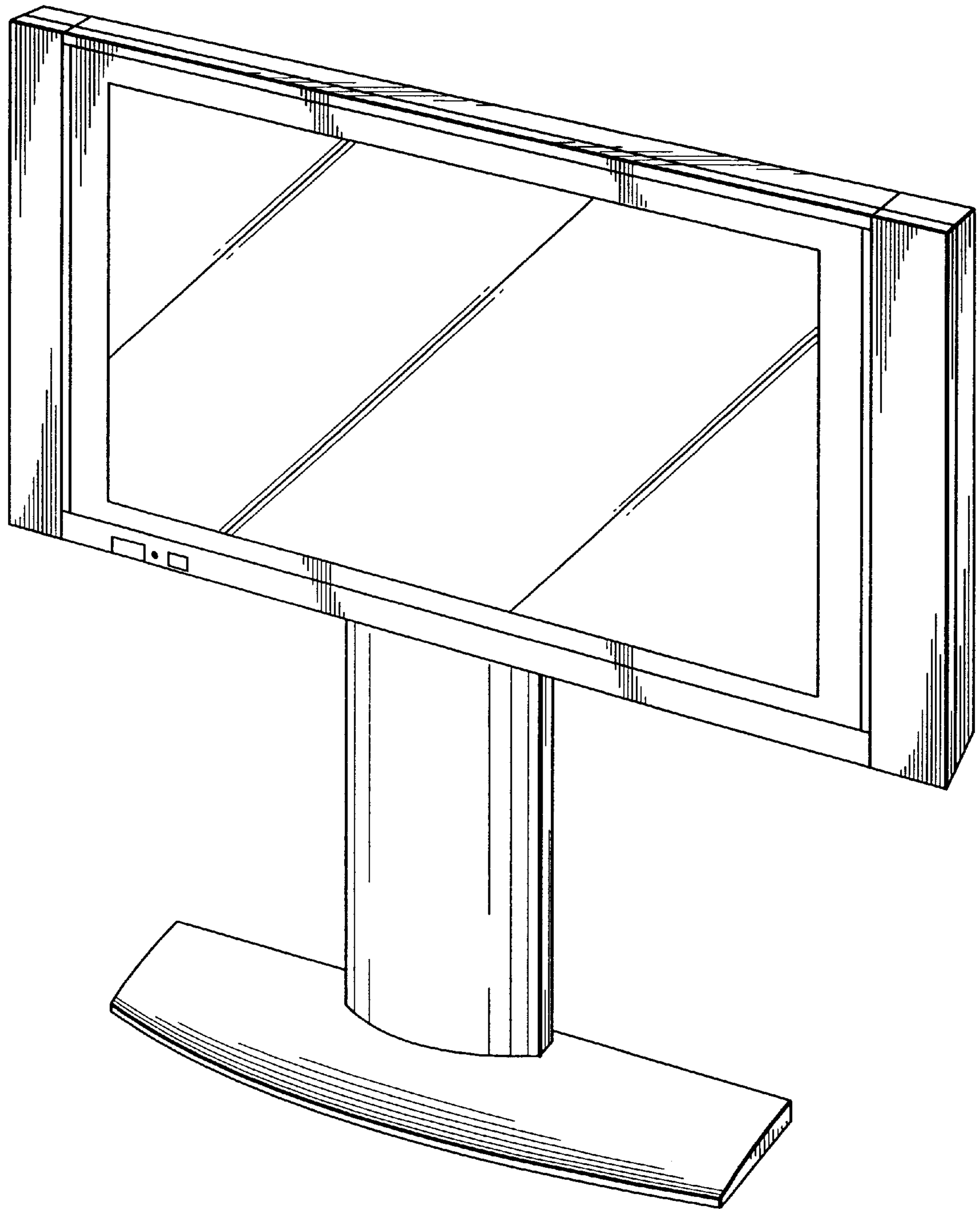
**DESCRIPTION**

FIG. 1 is a perspective view of the top, front and right side of a television receiver showing my new design; FIG. 2 is a top plan view thereof; FIG. 3 is a front view thereof; FIG. 4 is a left side view thereof; FIG. 5 is a right side view thereof; FIG. 6 is a bottom view thereof; and, FIG. 7 is a rear view thereof.

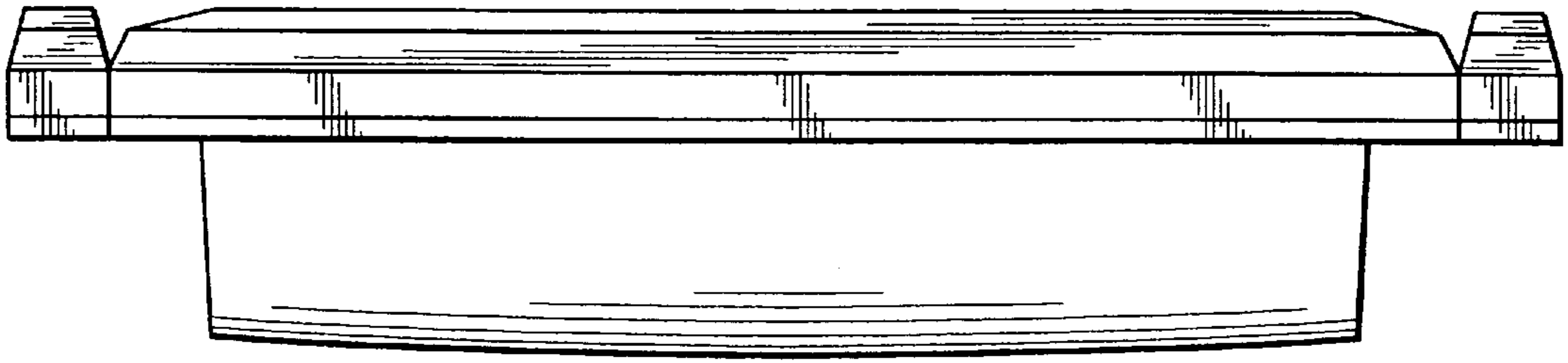
**1 Claim, 4 Drawing Sheets**



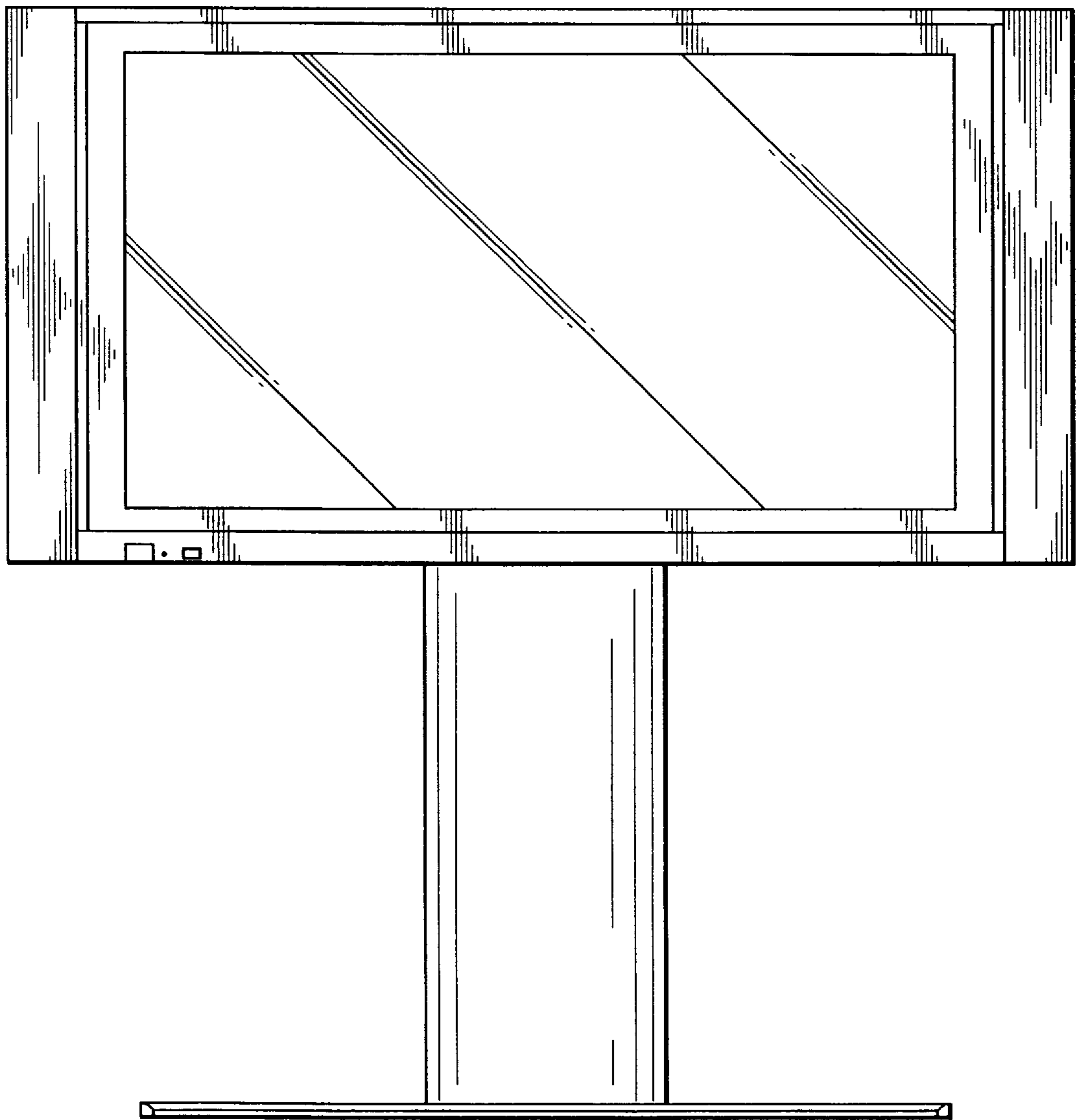
*FIG. 1*



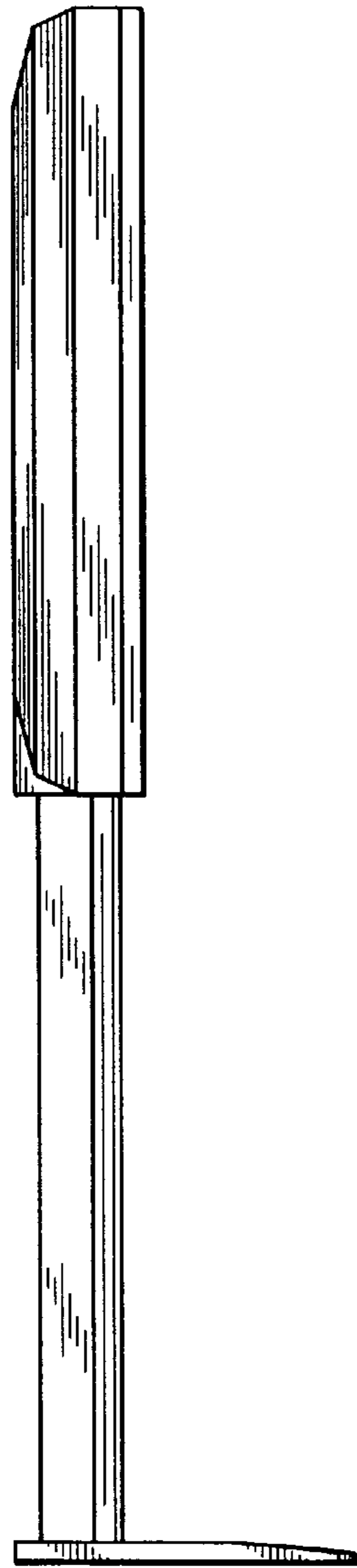
*FIG. 2*



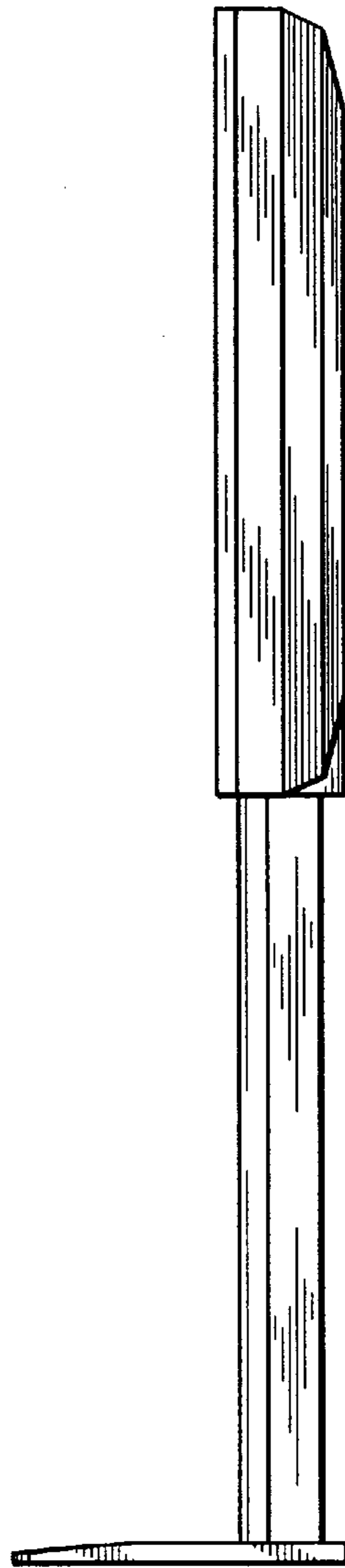
*FIG. 3*



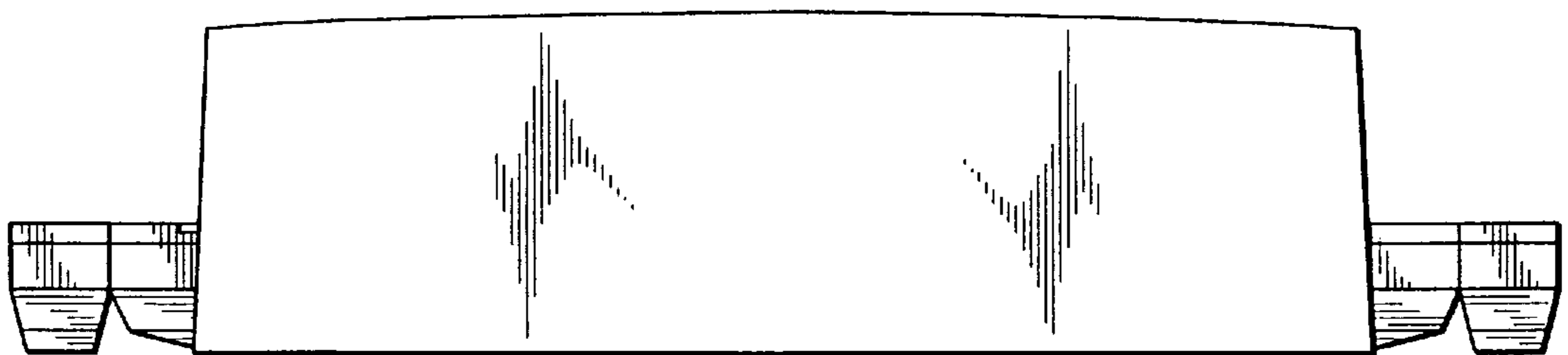
*FIG. 4*



*FIG. 5*



*FIG. 6*



*FIG. 7*

