



US00D434733S

United States Patent [19]

[11] Patent Number: **Des. 434,733**

Brown et al.

[45] Date of Patent: **** Dec. 5, 2000**

[54] **ELECTRIC CORD KEEPER**

[76] Inventors: **Philip R. Brown, 55 Mill St.,
Rockport, Me. 04856; Frank Morrill,
R.R. 2, Box 5790, Union, Me. 04862**

[**] Term: **14 Years**

[21] Appl. No.: **29/072,345**

[22] Filed: **Jun. 13, 1997**

[51] **LOC (7) Cl. 13-03**

[52] **U.S. Cl. D13/154**

[58] **Field of Search D13/154; 248/74.4,
248/68.1; 174/135; 439/373, 369, 781**

[56] **References Cited**

U.S. PATENT DOCUMENTS

812,287	2/1906	Nagel	439/781
1,789,502	1/1931	Stewart	439/781
2,015,403	9/1935	Kiddle .	
2,160,961	6/1939	Dorman .	
2,167,541	7/1939	Young .	
2,292,140	8/1942	Lofgren .	
2,858,516	10/1958	Lindahl	174/135 X
2,889,602	6/1959	Maniaci	248/68.1
2,938,692	5/1960	Bosworth et al.	248/68.1
2,997,531	8/1961	Oldham et al. .	
3,457,442	7/1969	Charlton et al. .	
3,708,778	1/1973	McKeever .	
3,811,104	5/1974	Caldwell .	
3,838,383	9/1974	Wilbur et al. .	

3,930,116	12/1975	Richards .
4,095,043	6/1978	Martin et al. .
4,163,372	8/1979	Frye et al. .
4,662,697	5/1987	Moses .
4,719,321	1/1988	Kozel et al. .
5,255,866	10/1993	Campolo .

Primary Examiner—Joel Sincavage

[57] **CLAIM**

The ornamental design for an electric cord keeper, as shown and described.

DESCRIPTION

FIG. 1 is a front and upper right perspective view of an electrical cord keeper in a condition of use showing our new design. The broken line showing of the electric cords and wall receptacle is included for the purpose of illustrating environmental structure only and forms no part of the claimed design;

FIG. 2 is front and upper right exploded perspective view of the electrical cord keeper;

FIG. 3 is a front and upper right perspective view of the assembled electrical cord keeper shown in the non-use condition.

FIG. 4 is a top plan view thereof;

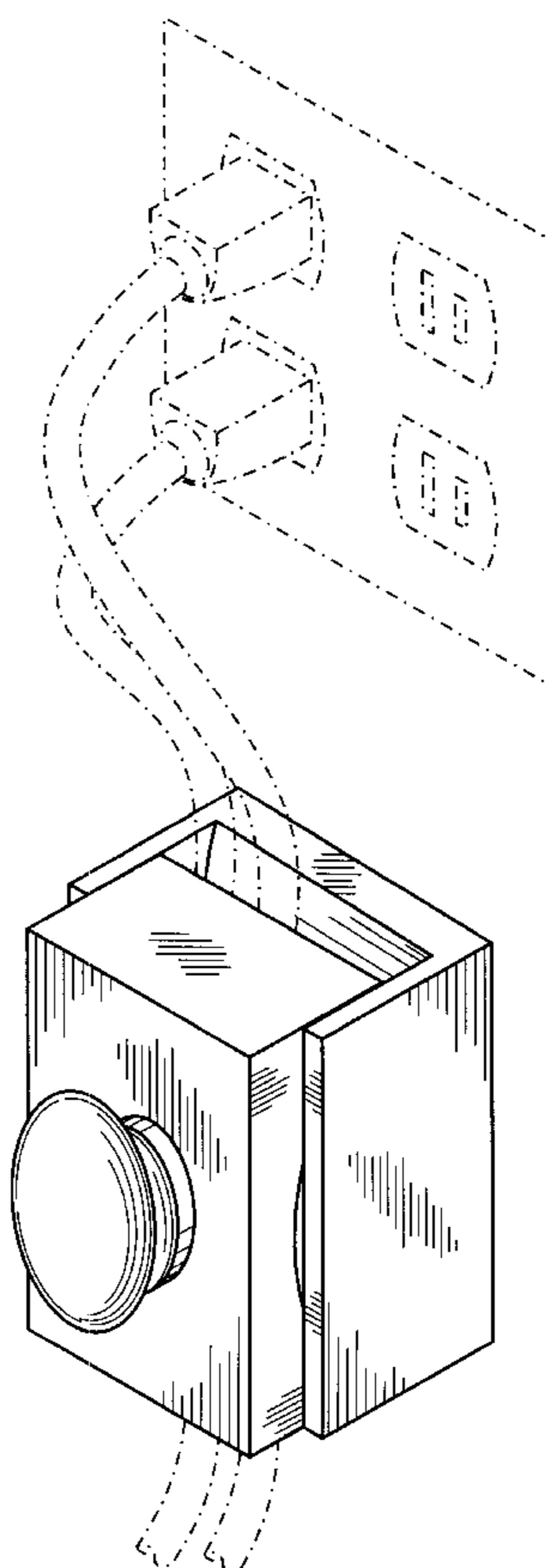
FIG. 5 is a front elevational view thereof;

FIG. 6 is a left side elevational view thereof;

FIG. 7 is a rear elevational view thereof; and,

FIG. 8 is a front elevational view thereof with all members removed except for the base.

1 Claim, 4 Drawing Sheets



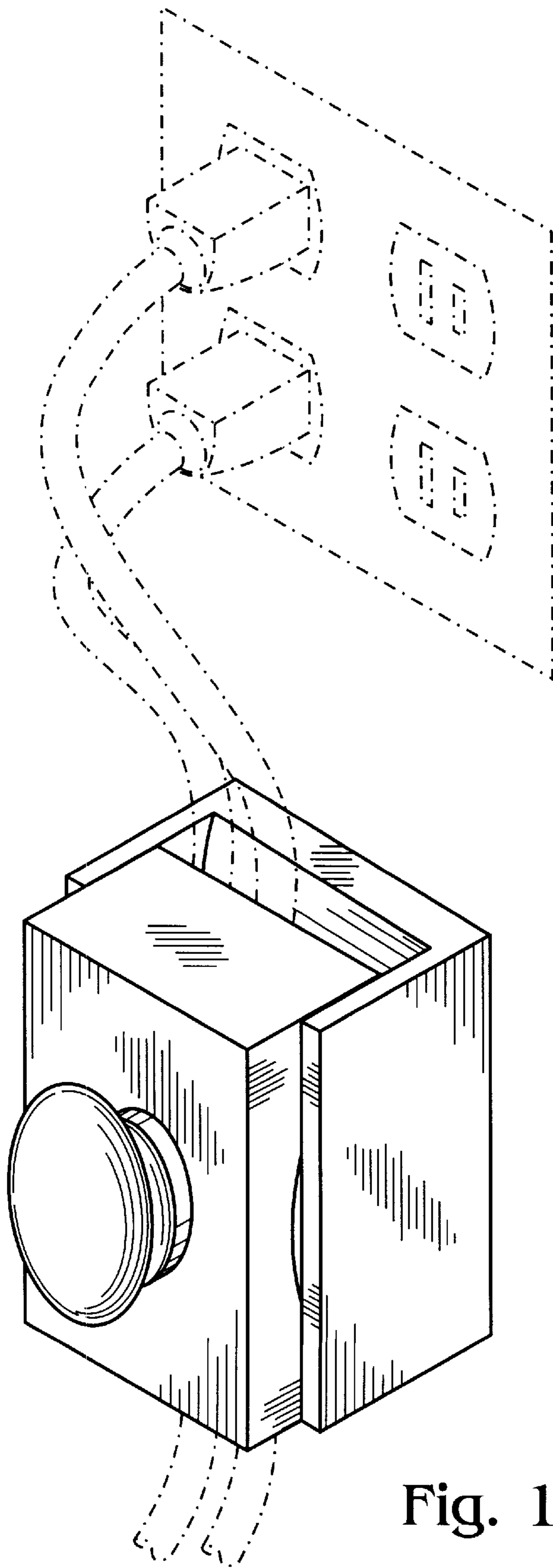


Fig. 1

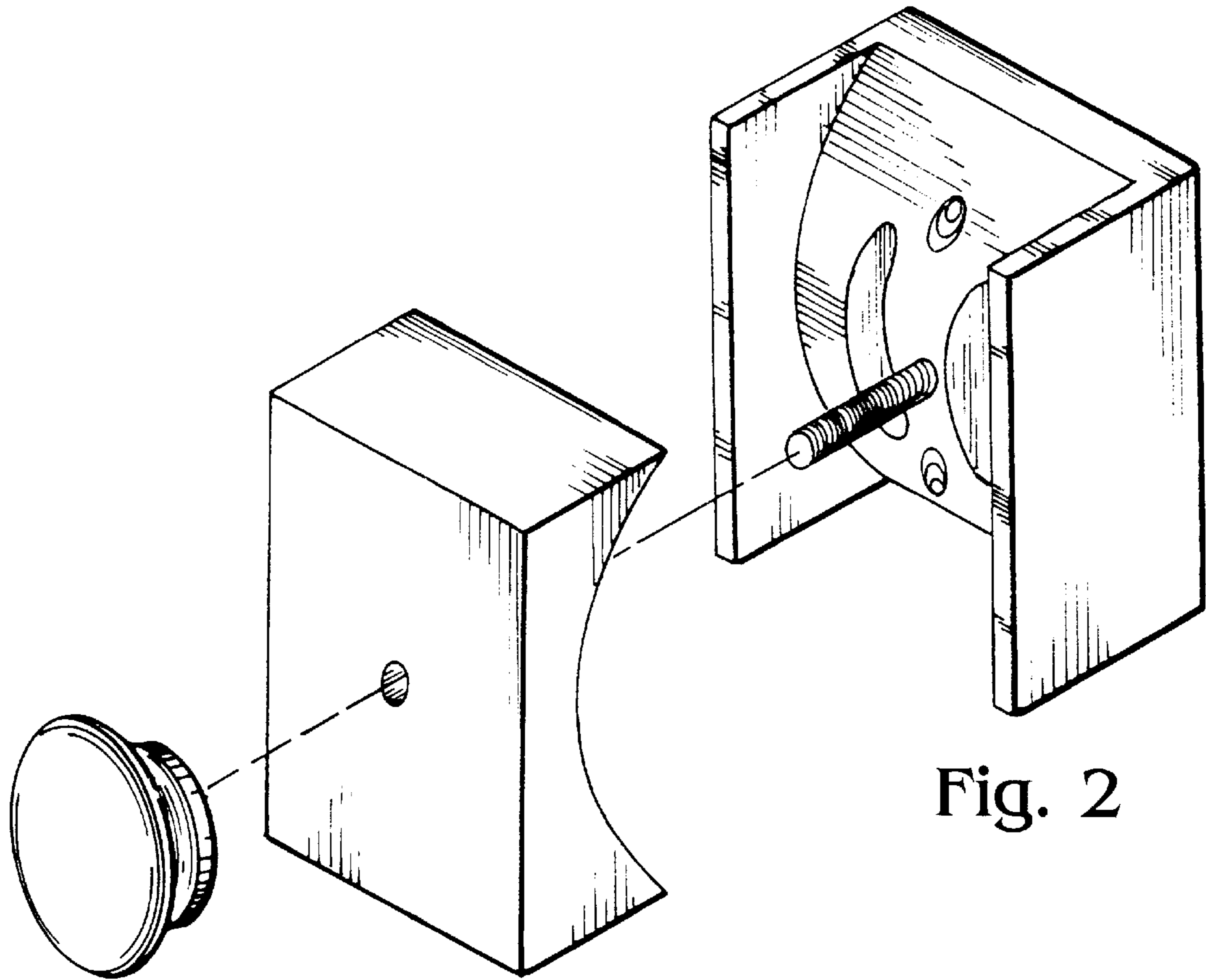


Fig. 2

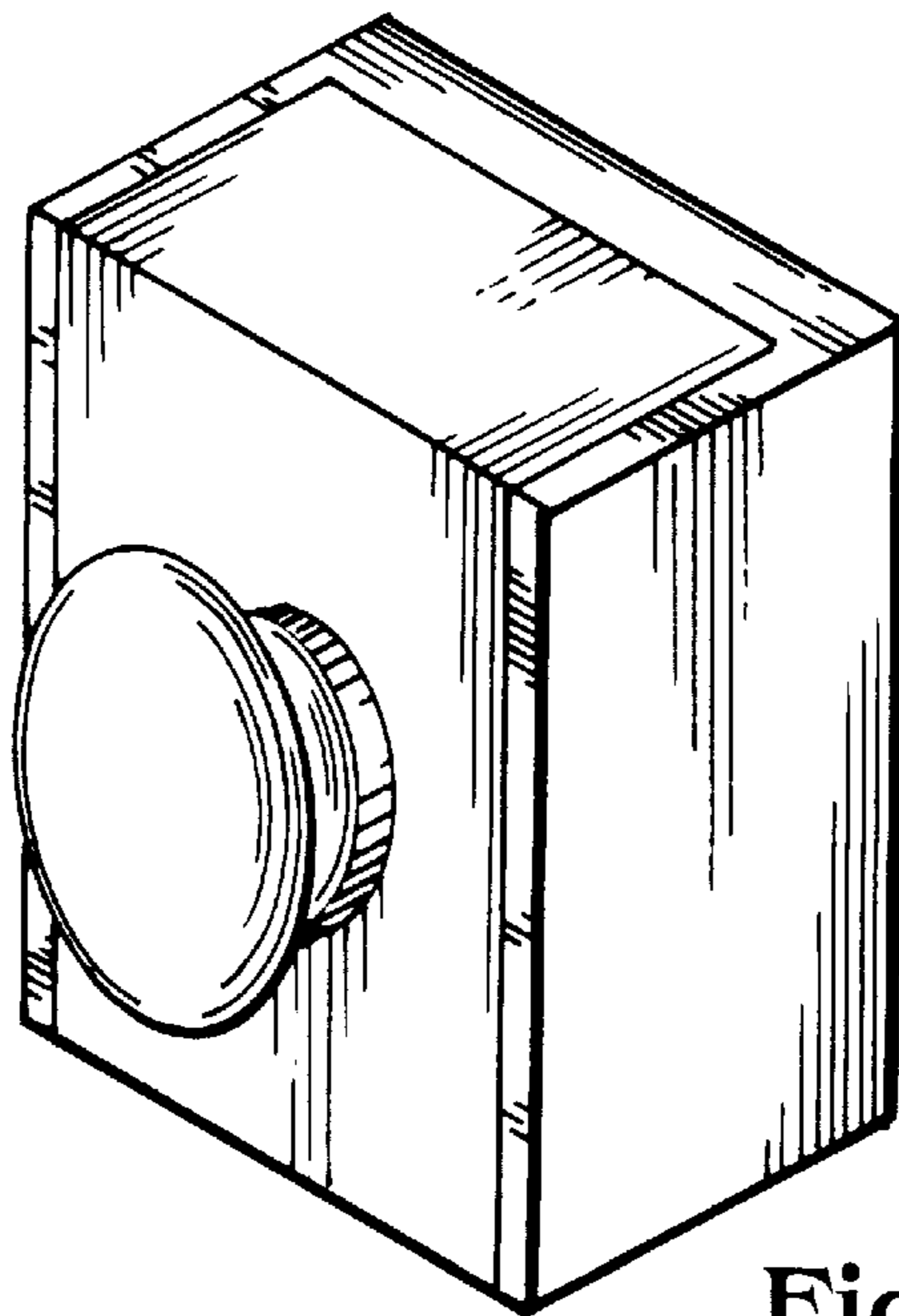


Fig. 3

Fig. 4

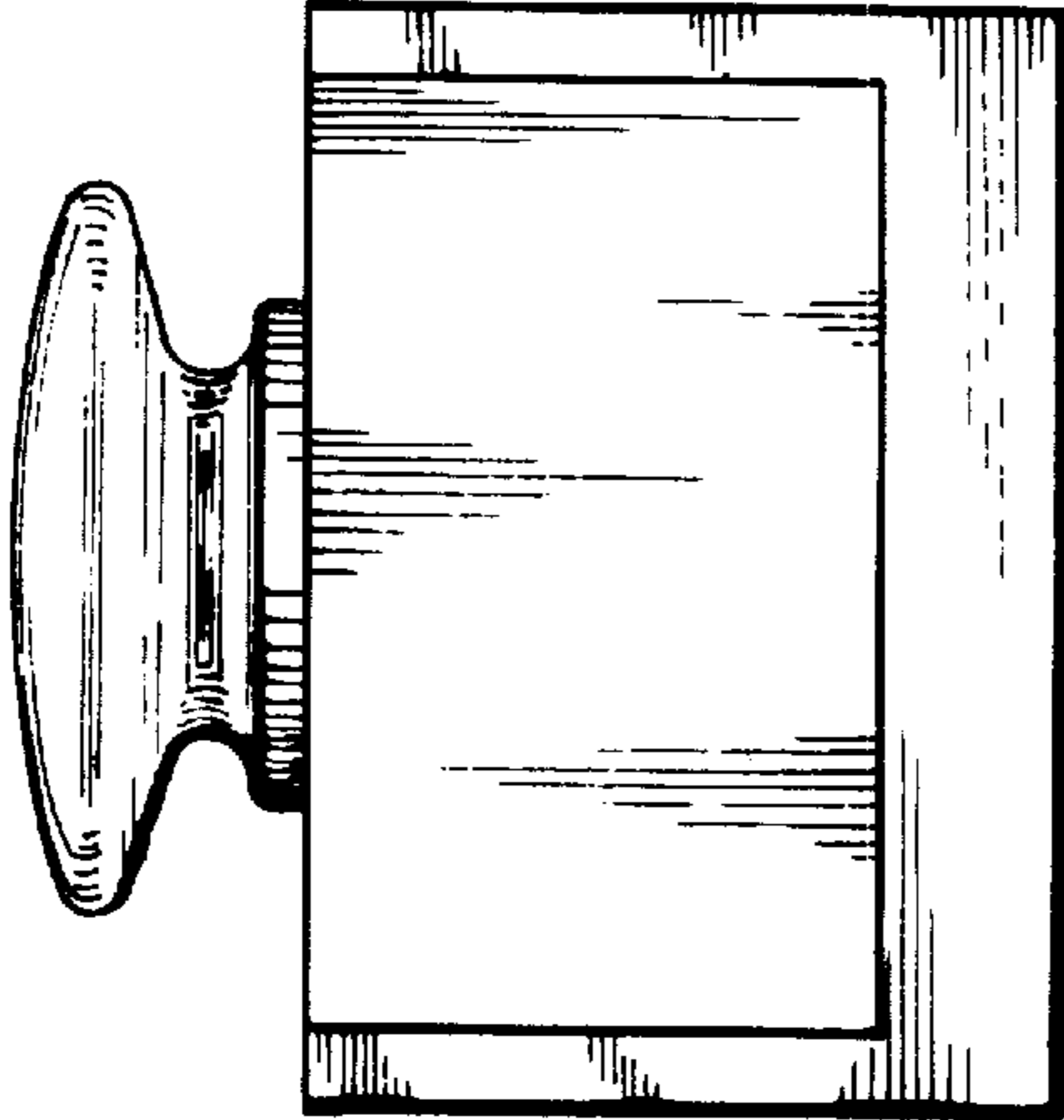


Fig. 5

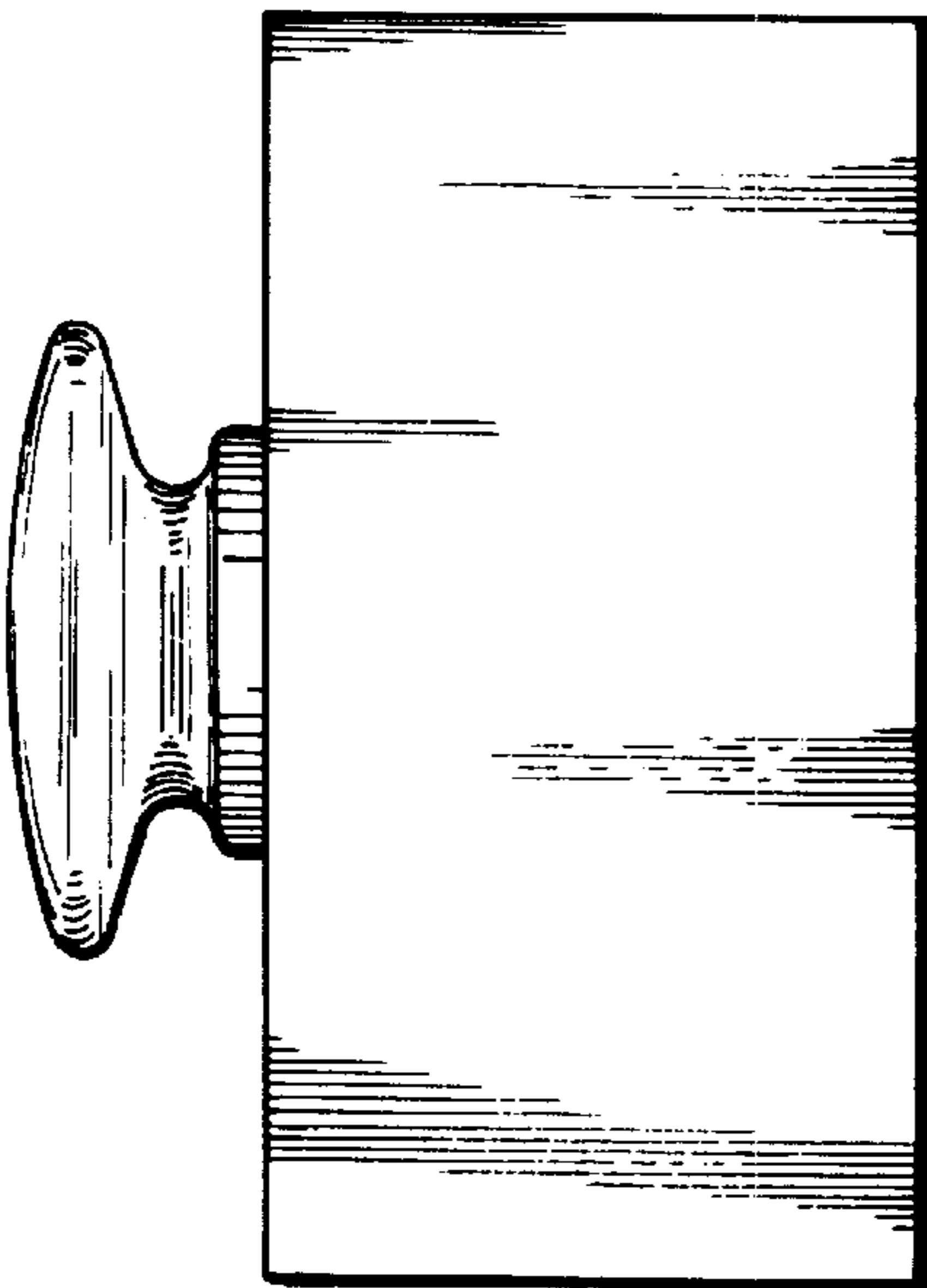
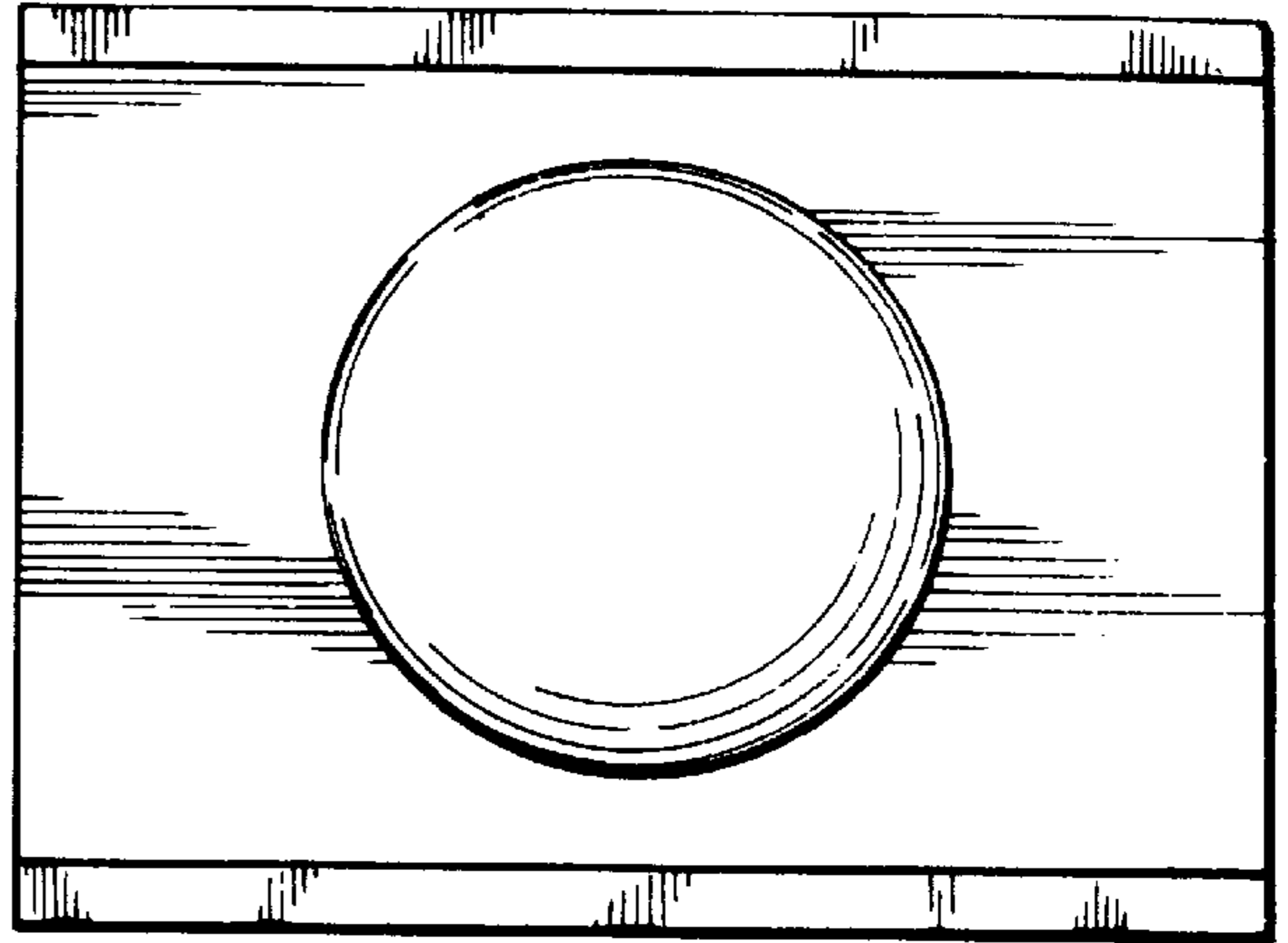


Fig. 6

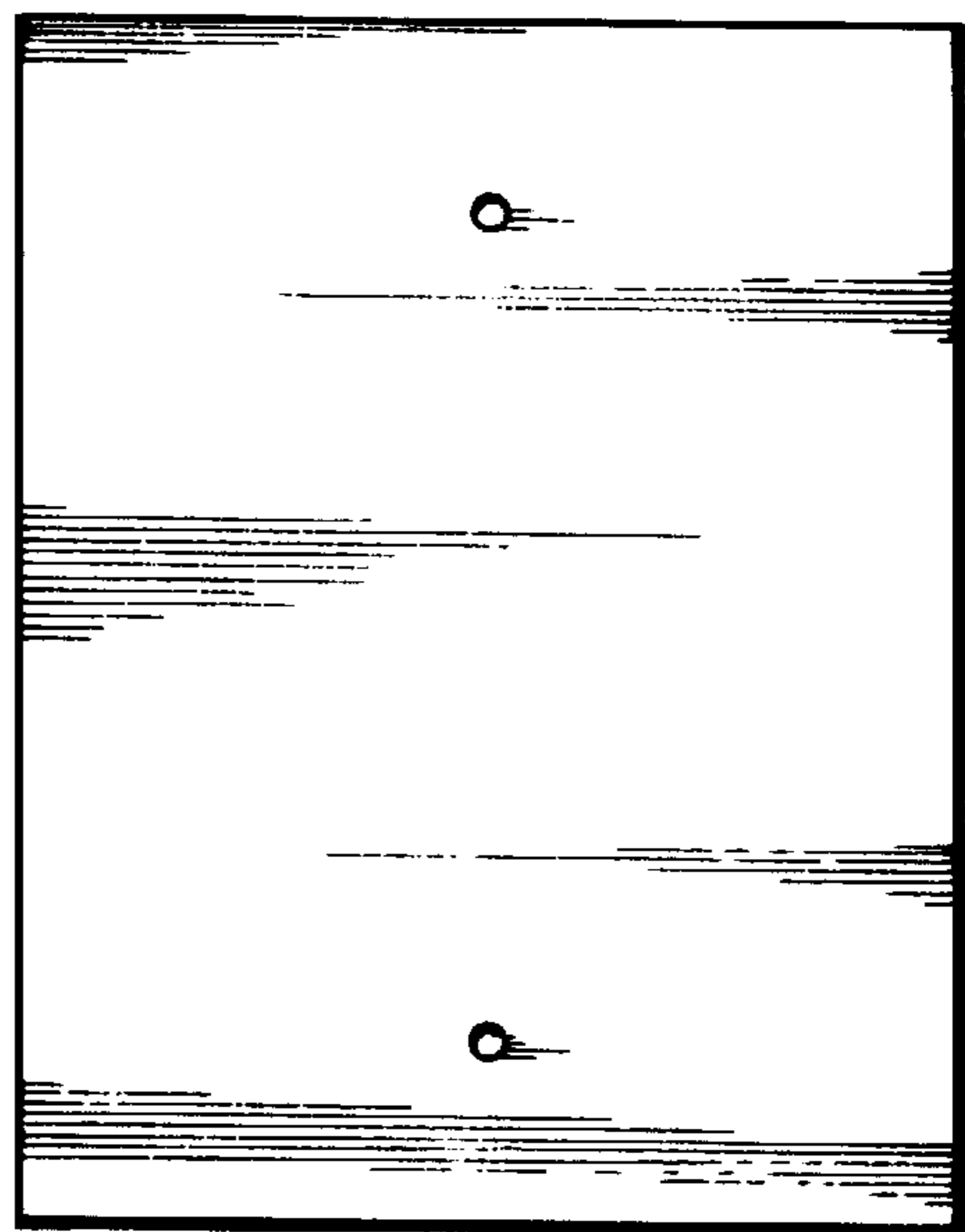


Fig. 7

Fig. 8

