



US00D434732S

United States Patent [19]
Wu

[11] **Patent Number: Des. 434,732**

[45] **Date of Patent: ** Dec. 5, 2000**

[54] **ELECTRICAL CONNECTOR**

[75] Inventor: **Jerry Wu**, Pan-Chiao, Taiwan

[73] Assignee: **Hon Hai Precision Ind. Co., Ltd.**,
Taipei Hsien, Taiwan

[**] Term: **14 Years**

[21] Appl. No.: **29/126,607**

[22] Filed: **Jul. 19, 2000**

[51] **LOC (7) Cl.** **13-03**

[52] **U.S. Cl.** **D13/147**

[58] **Field of Search** D13/146, 147;
439/79, 159, 160, 607-610

[56] **References Cited**

U.S. PATENT DOCUMENTS

- D. 410,628 6/1999 Wu D13/147
- D. 416,541 11/1999 Hirai et al. D13/147
- D. 425,486 5/2000 Nishio et al. D13/147

- D. 428,854 8/2000 Nishio et al. D13/154
- 6,042,404 3/2000 Lai et al. 439/159
- 6,062,878 5/2000 Kuo 439/79
- 6,095,834 8/2000 Lai et al. 439/159
- 6,109,941 8/2000 Koseki et al. 439/159

Primary Examiner—Joel Sincavage
Attorney, Agent, or Firm—Wei Te Chung

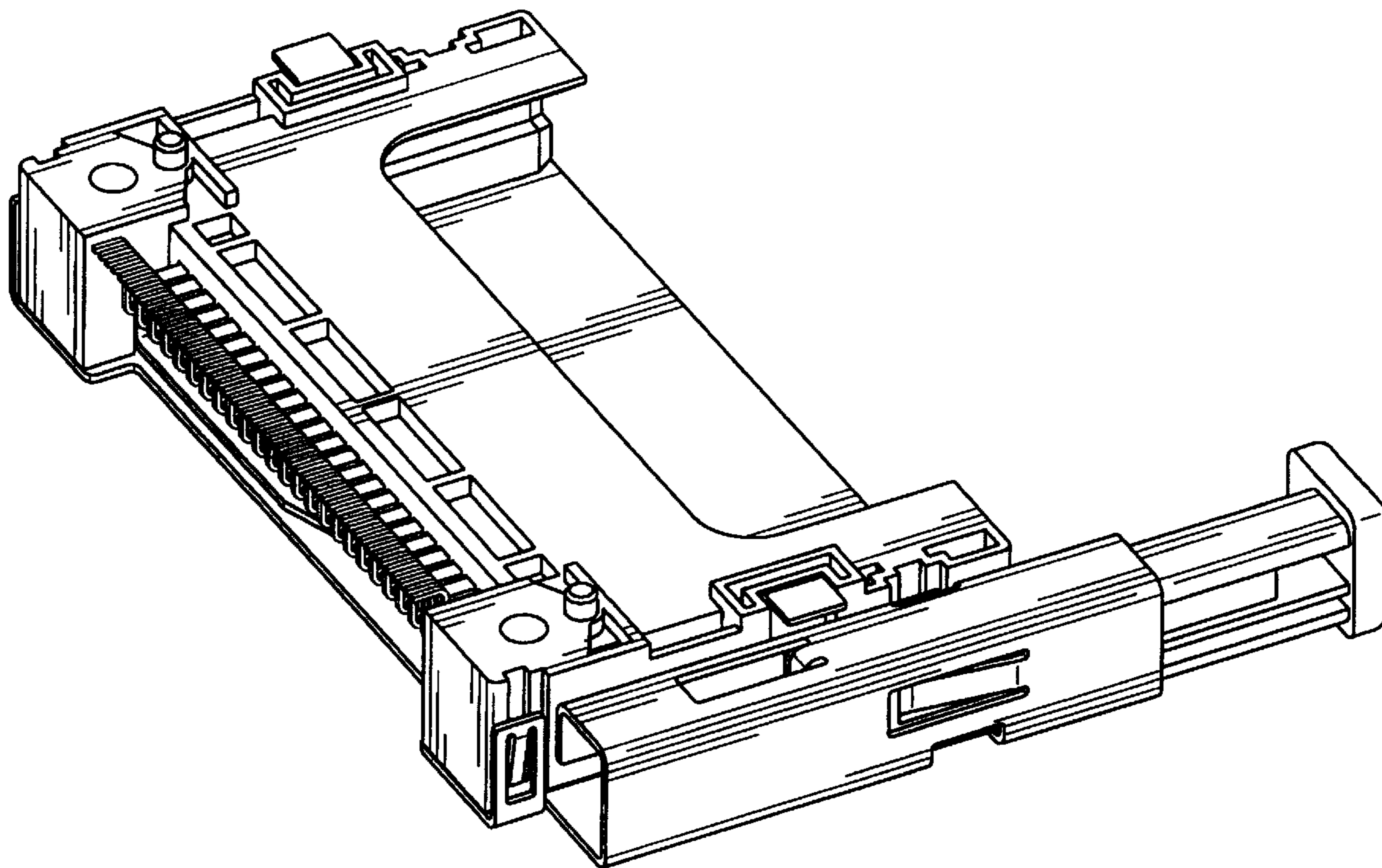
[57] **CLAIM**

The ornamental design for an electrical connector, as shown.

DESCRIPTION

FIG. 1 is a front, top and right side perspective view of an electrical connector showing my new design; FIG. 2 is a front elevational view thereof; FIG. 3 is a rear elevational view thereof; FIG. 4 is a left side elevational view thereof; FIG. 5 is a right side elevational view thereof; FIG. 6 is a top plan view thereof; and, FIG. 7 is a bottom plan view thereof.

1 Claim, 5 Drawing Sheets



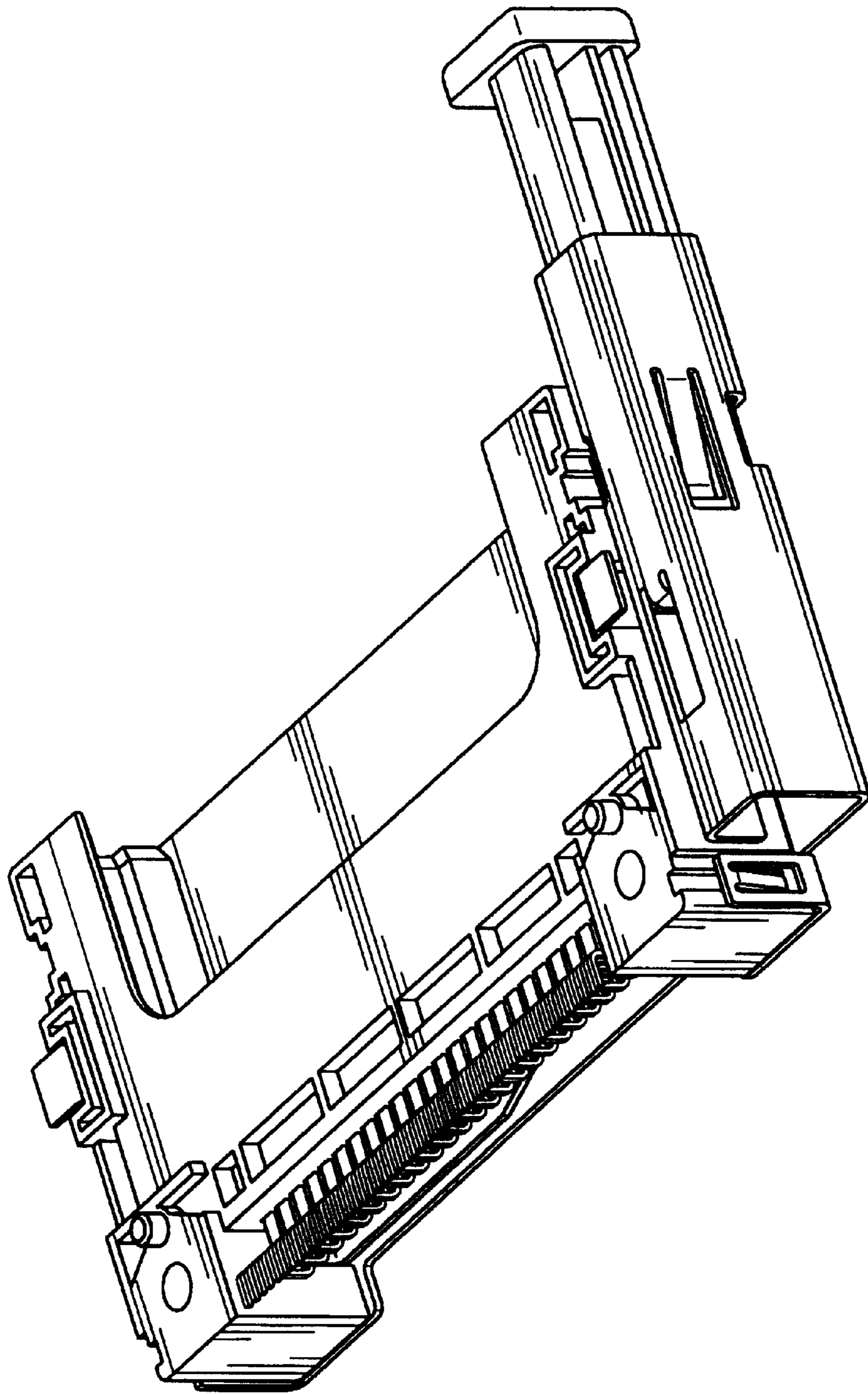


FIG. 1

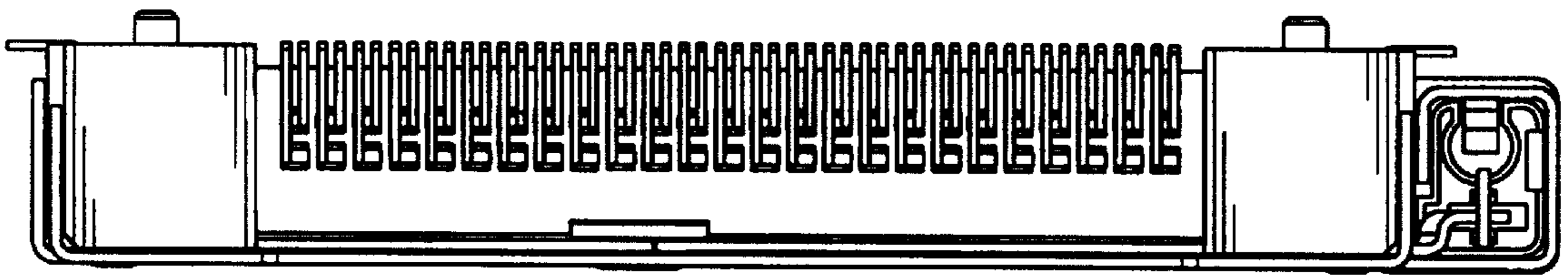


FIG. 2

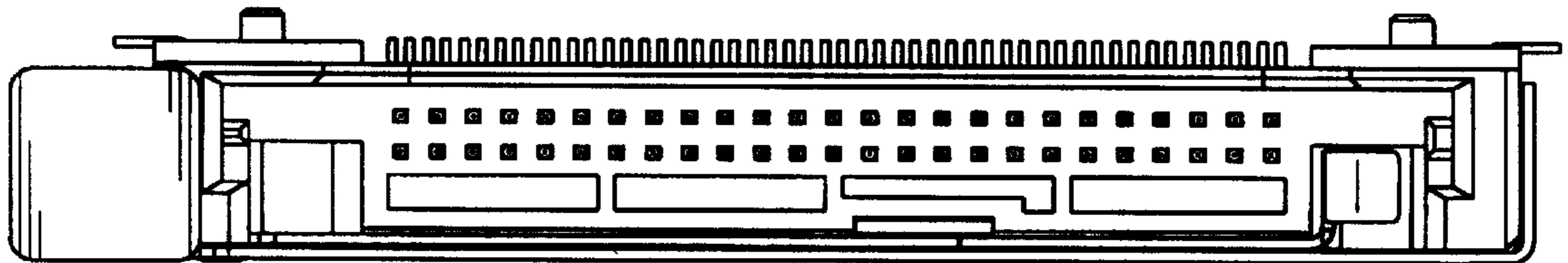


FIG. 3

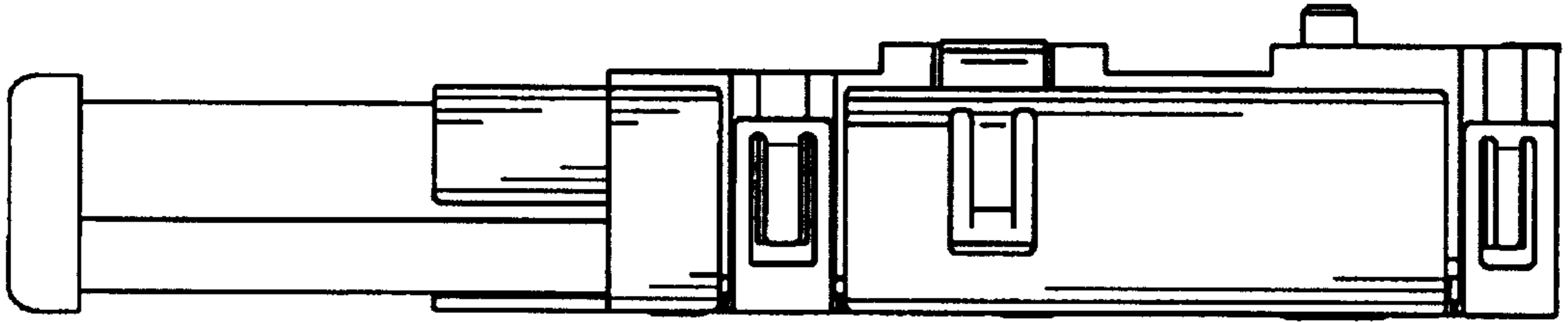


FIG. 4

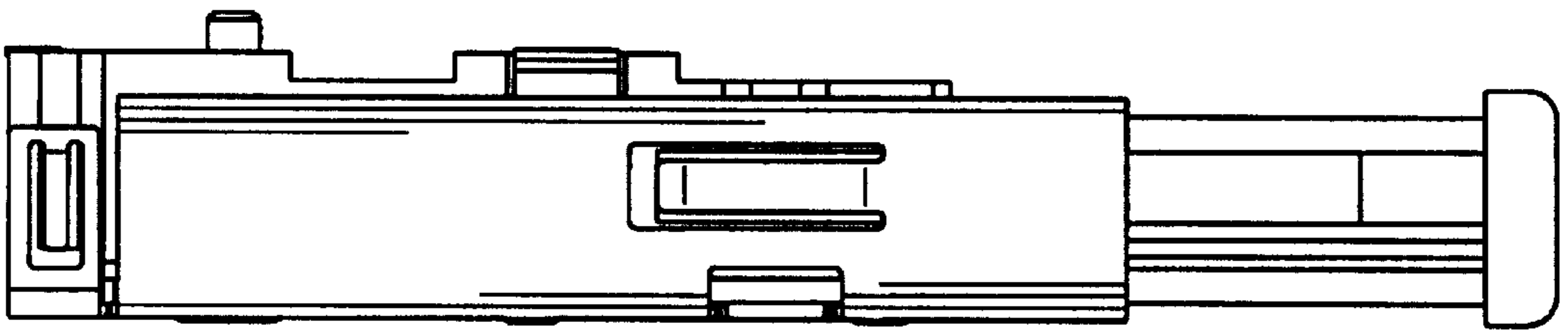


FIG. 5

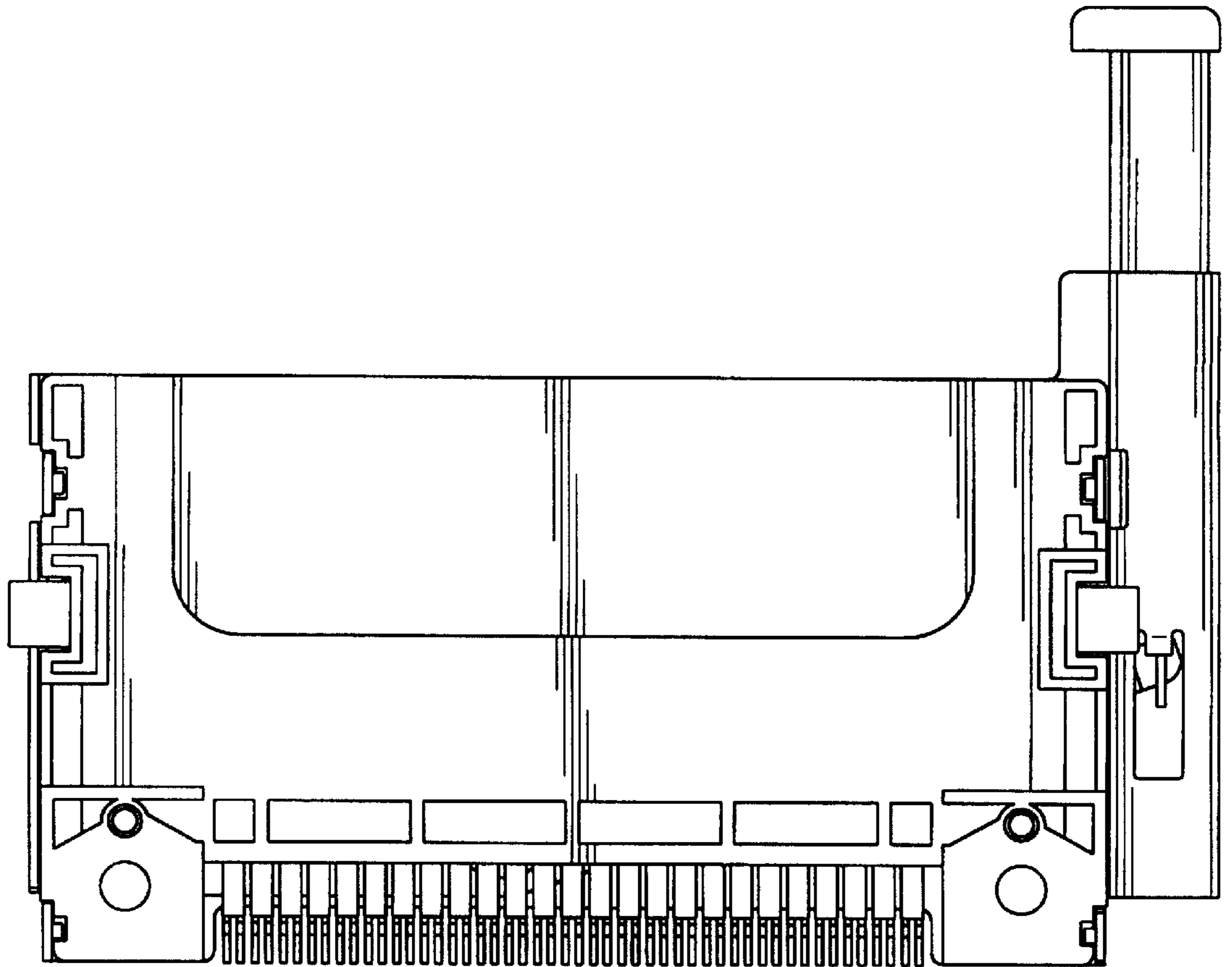


FIG. 6

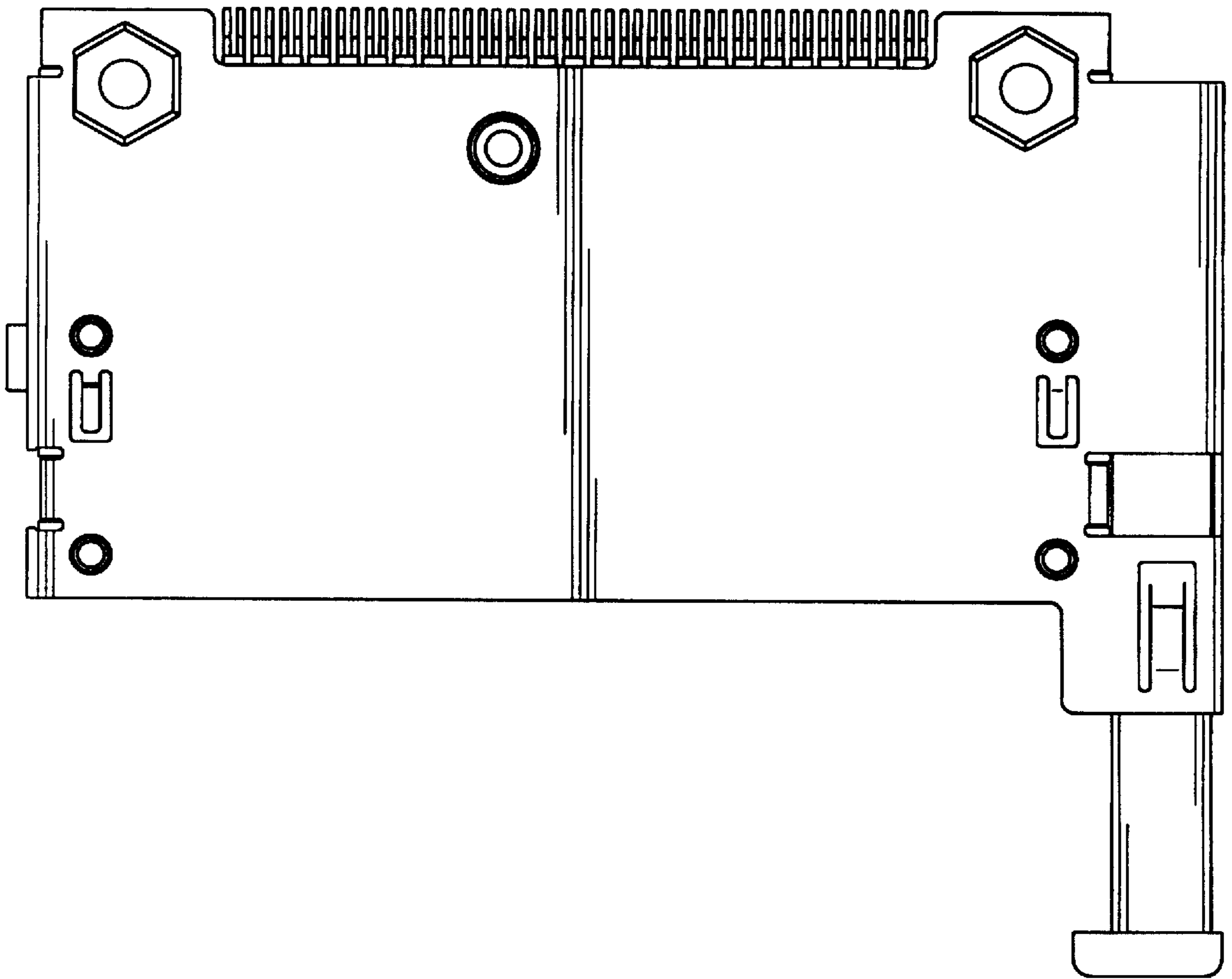


FIG. 7