



US00D434731S

**United States Patent** [19]  
**Wu**

[11] **Patent Number: Des. 434,731**

[45] **Date of Patent: \*\* Dec. 5, 2000**

[54] **ELECTRICAL CONNECTOR**

[75] Inventor: **Jerry Wu**, Pan-Chiao, Taiwan

[73] Assignee: **Hon Hai Precision Ind. Co., Ltd.**,  
Taipei Hsien, Taiwan

[\*\*] Term: **14 Years**

[21] Appl. No.: **29/126,606**

[22] Filed: **Jul. 19, 2000**

[51] **LOC (7) Cl.** ..... **13-03**

[52] **U.S. Cl.** ..... **D13/147**

[58] **Field of Search** ..... D13/146, 147;  
439/79, 159, 160, 607-610

[56] **References Cited**

**U.S. PATENT DOCUMENTS**

D. 425,485 5/2000 Nishio et al. .... D13/147  
6,027,351 2/2000 Hashimoto ..... 439/160

6,036,511 3/2000 Hashimoto ..... 439/159  
6,042,404 3/2000 Lai et al. .... 439/159  
6,095,834 8/2000 Lai et al. .... 439/159

*Primary Examiner*—Joel Sincavage  
*Attorney, Agent, or Firm*—Wei Te Chung

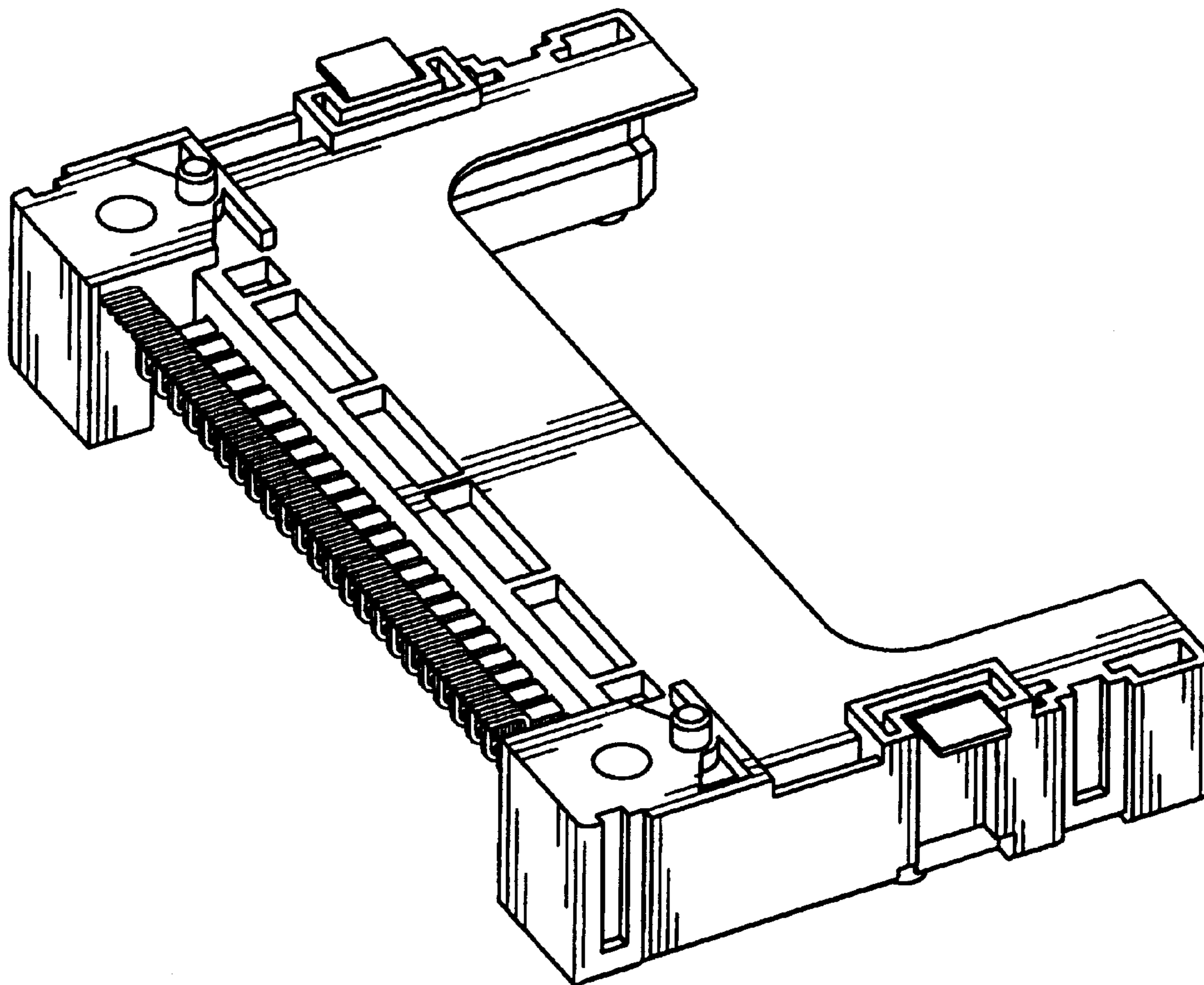
[57] **CLAIM**

The ornamental design for an electrical connector, as shown.

**DESCRIPTION**

FIG. 1 is a front, top and right side perspective view of an electrical connector showing my new design; FIG. 2 is a front elevational view thereof; FIG. 3 is a rear elevational view thereof; FIG. 4 is a left side elevational view thereof; FIG. 5 is a right side elevational view thereof; FIG. 6 is a top plan view thereof; and, FIG. 7 is a bottom plan view thereof.

**1 Claim, 5 Drawing Sheets**



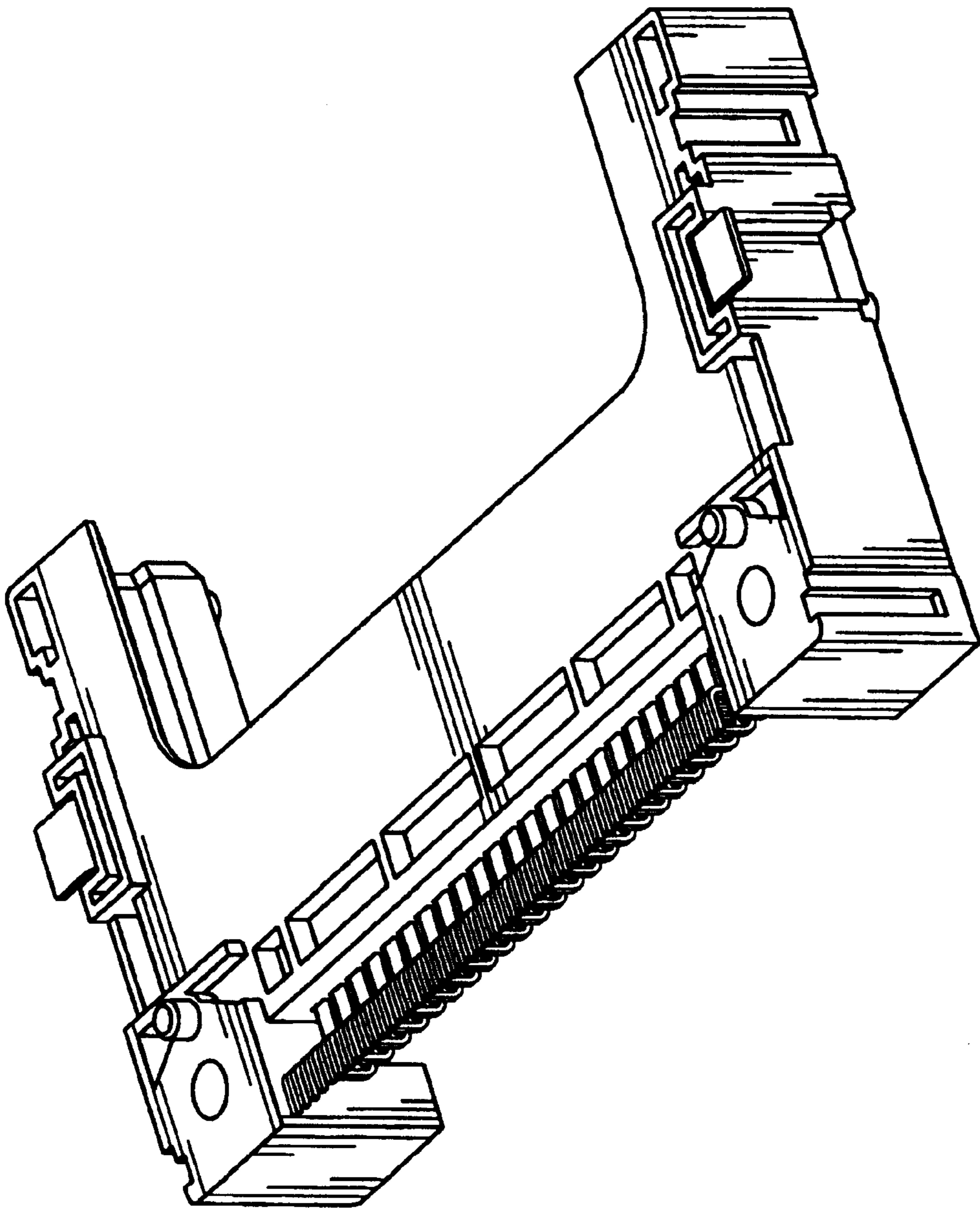


FIG. 1

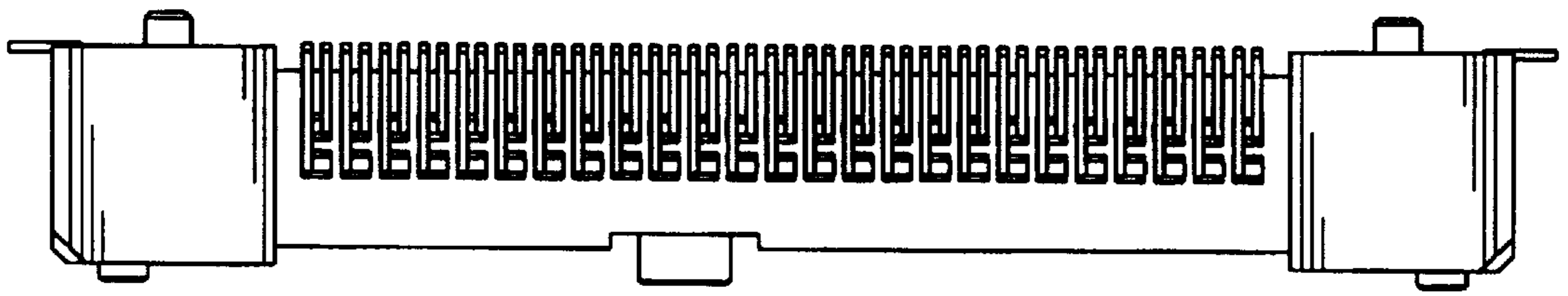


FIG. 2

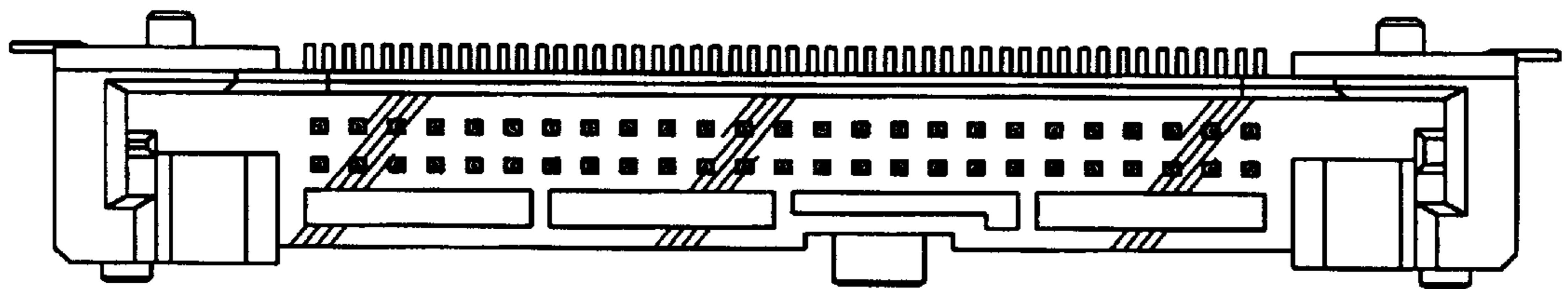


FIG. 3

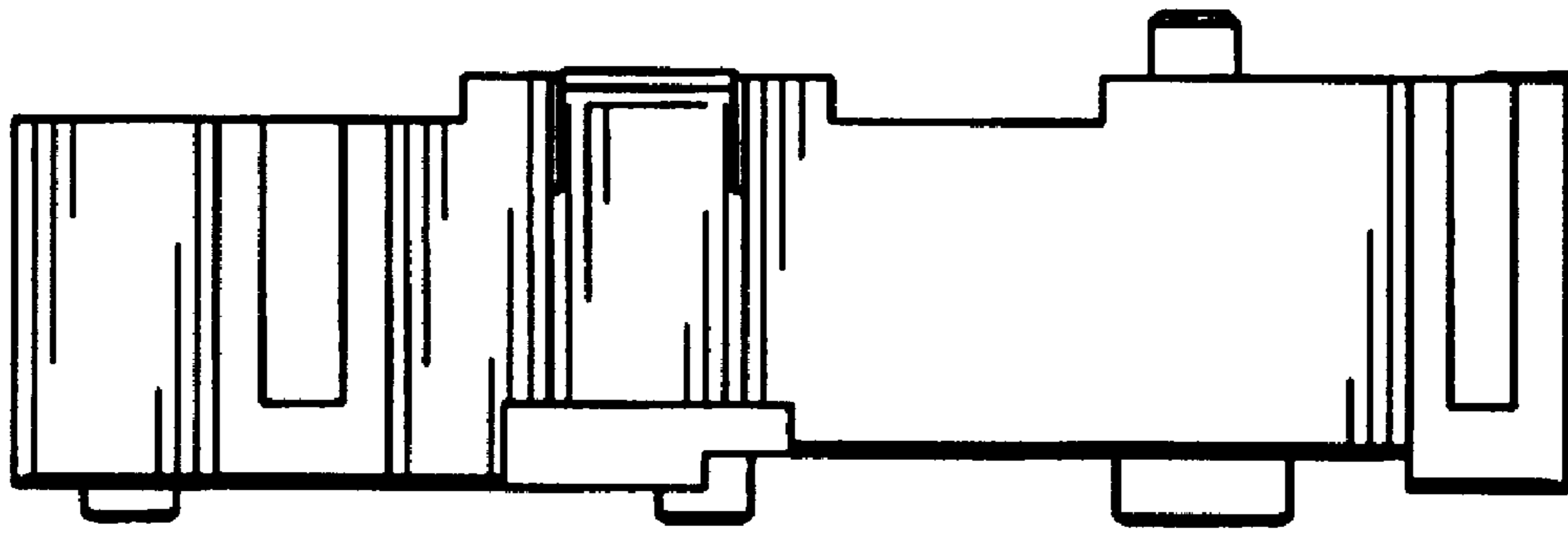


FIG. 4

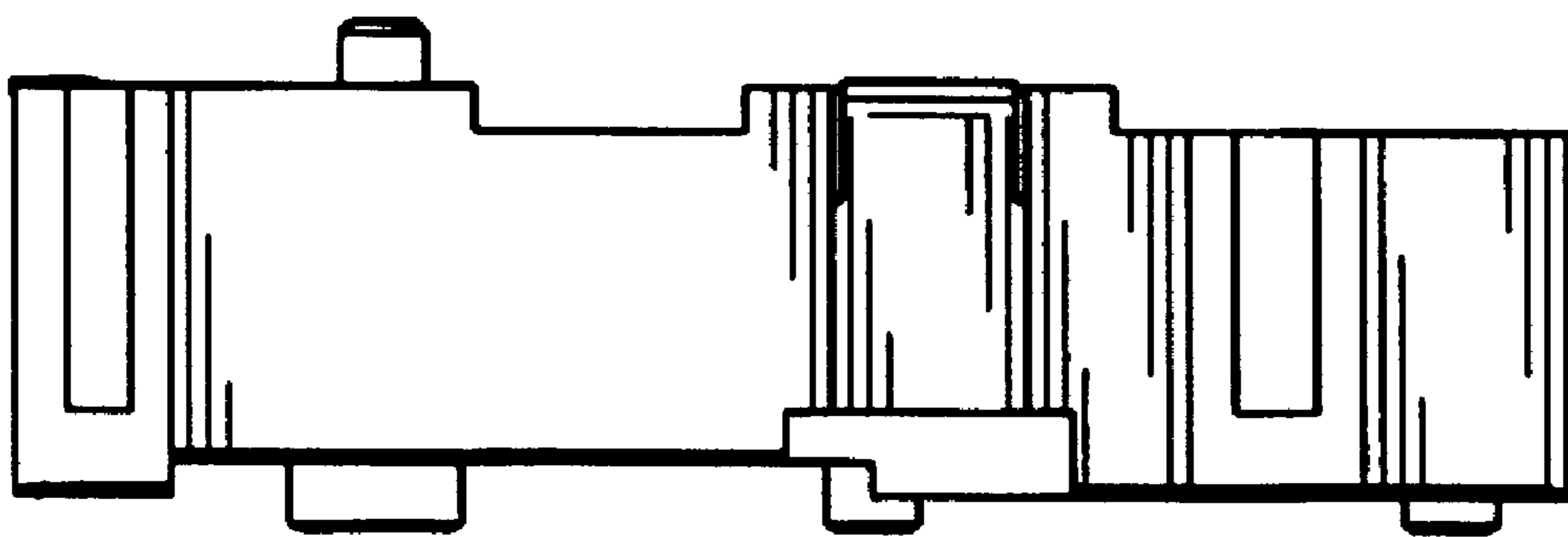


FIG. 5

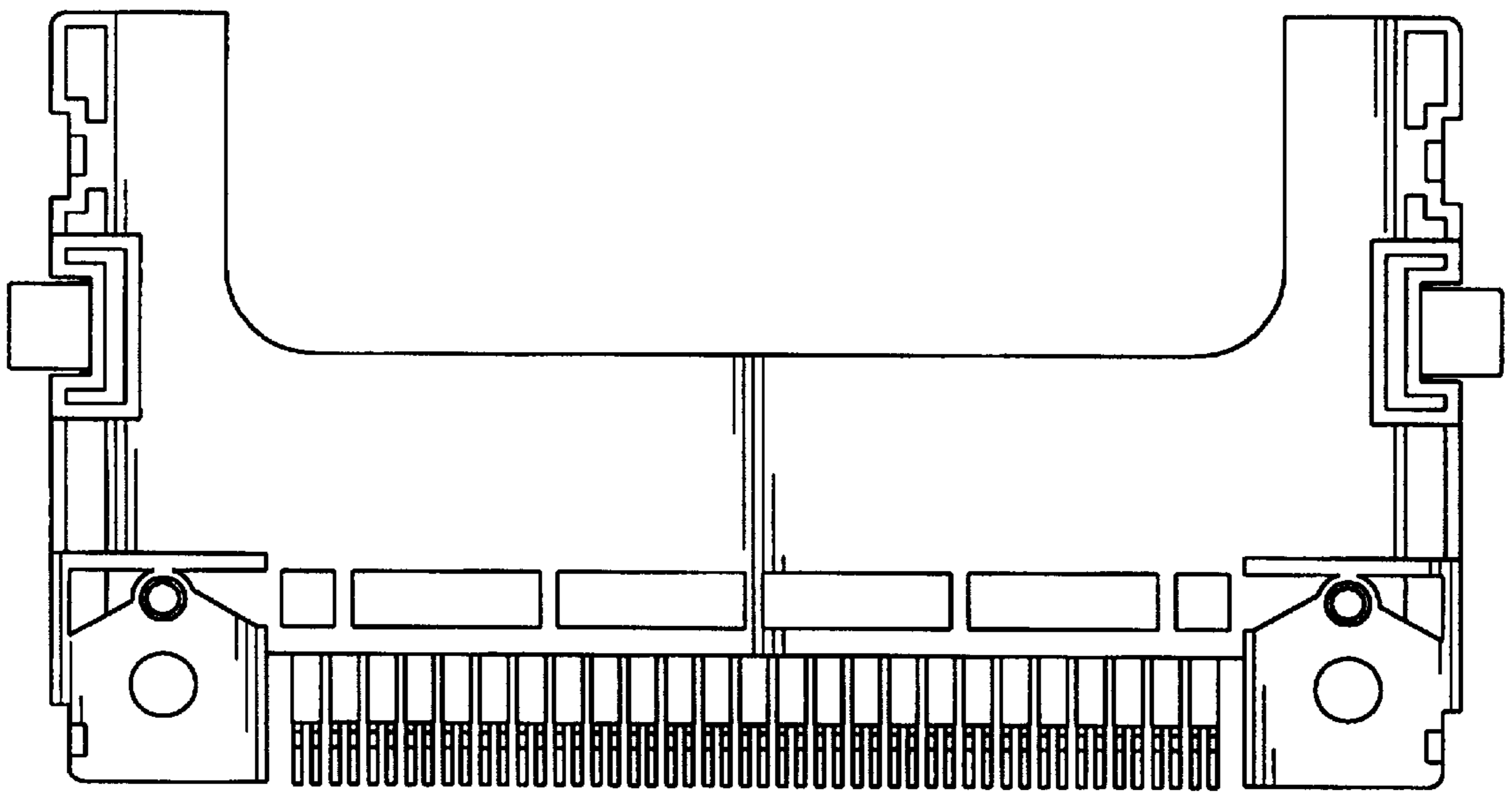


FIG. 6

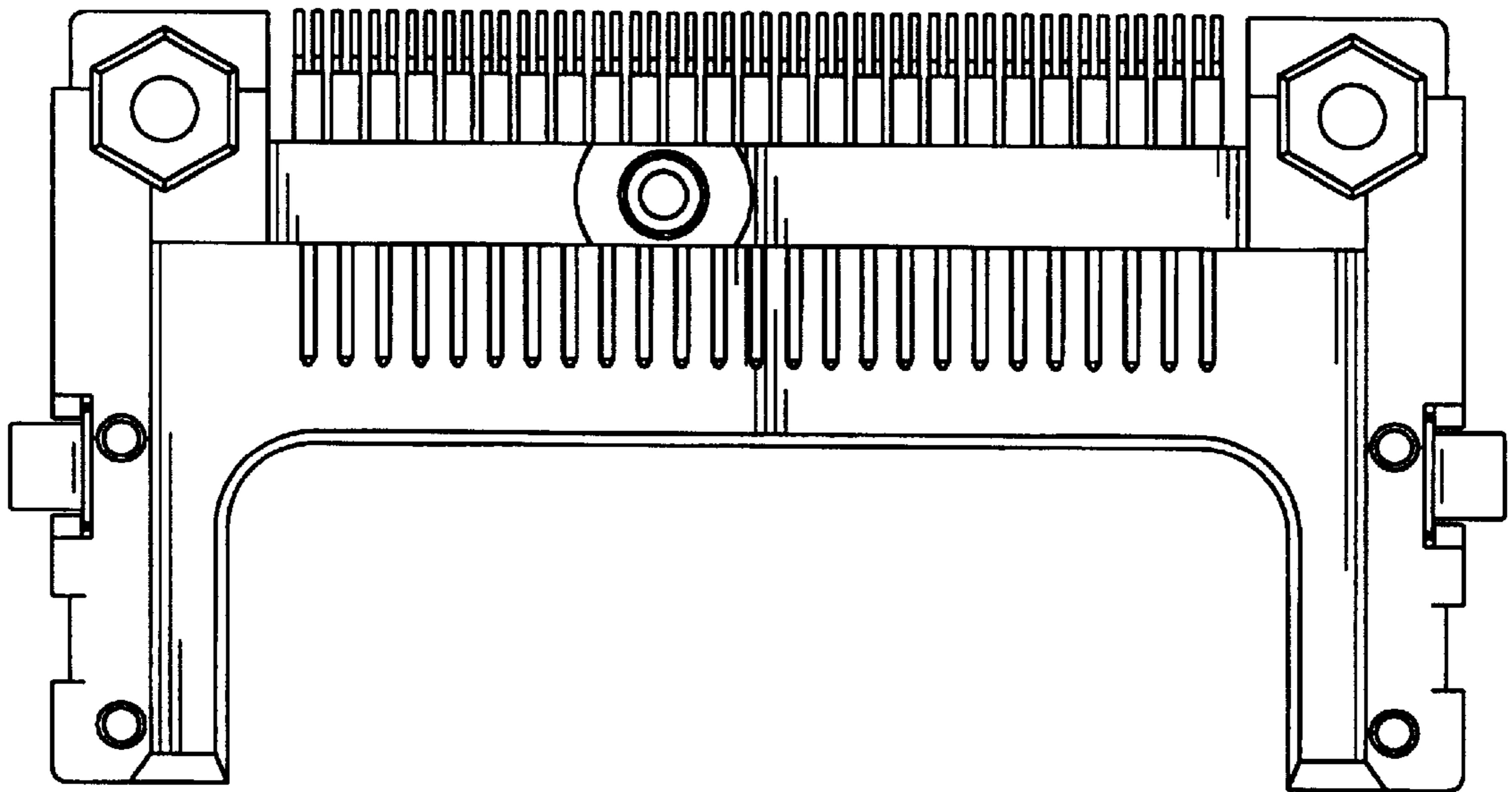


FIG. 7