



US00D434729S

# United States Patent [19] Hwang

[11] **Patent Number: Des. 434,729**

[45] **Date of Patent: \*\* Dec. 5, 2000**

[54] **CABLE CONNECTOR**

[75] Inventor: **Jenq-Yih Hwang**, Irvine, Calif.

[73] Assignee: **Hon Hai Precision Ind. Co., Ltd.**,  
Taipei Hsien, Taiwan

[\*\*] Term: **14 Years**

[21] Appl. No.: **29/123,562**

[22] Filed: **May 17, 2000**

[51] **LOC (7) Cl.** ..... **13-03**

[52] **U.S. Cl.** ..... **D13/147**

[58] **Field of Search** ..... D13/146, 147;  
439/545, 552, 247, 248, 844, 571, 576,  
953, 378, 381, 638

[56] **References Cited**

**U.S. PATENT DOCUMENTS**

D. 426,194 6/2000 Ko et al. .... D13/147  
4,820,180 4/1989 Mosquera et al. .... 439/248

4,978,313 12/1990 Kameyama et al. .... 439/248  
4,988,308 1/1991 Toedtman ..... 439/248  
5,017,151 5/1991 Peterson ..... 439/248  
5,184,964 2/1993 Douty et al. .... 439/247  
5,286,222 2/1994 Yamada ..... 439/248 X  
6,027,376 2/2000 Matsuura et al. .... 439/638

*Primary Examiner*—Joel Sincavage  
*Attorney, Agent, or Firm*—Wei Te Chung

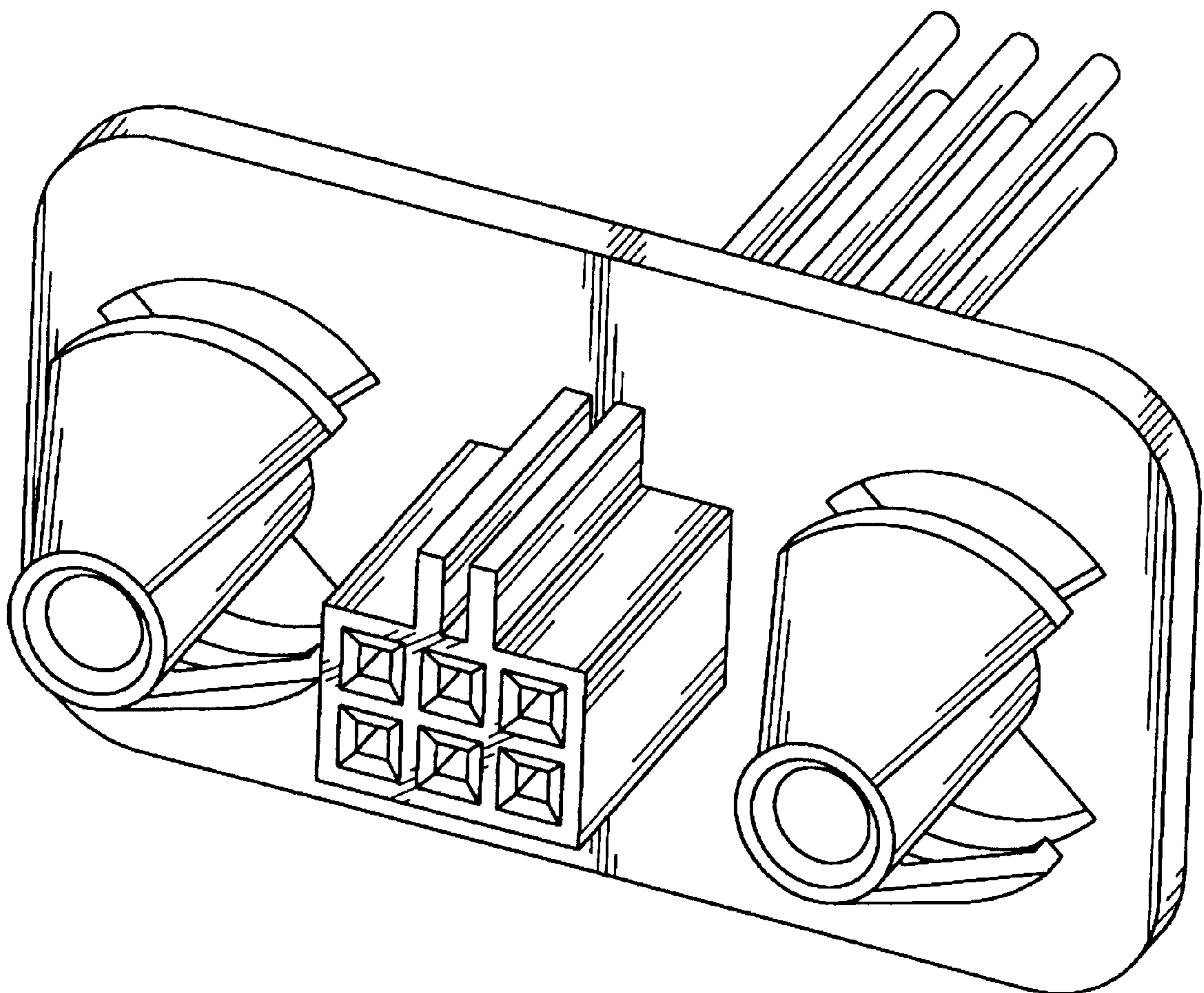
[57] **CLAIM**

The ornamental design for a cable connector, as shown.

**DESCRIPTION**

FIG. 1 is a front, top and right side perspective view of a cable connector showing my new design; FIG. 2 is a front elevational view thereof; FIG. 3 is a rear elevational view thereof; FIG. 4 is a left side elevational view thereof; FIG. 5 is a right side elevational view thereof; FIG. 6 is a top plan view thereof; and, FIG. 7 is a bottom plan view thereof.

**1 Claim, 7 Drawing Sheets**



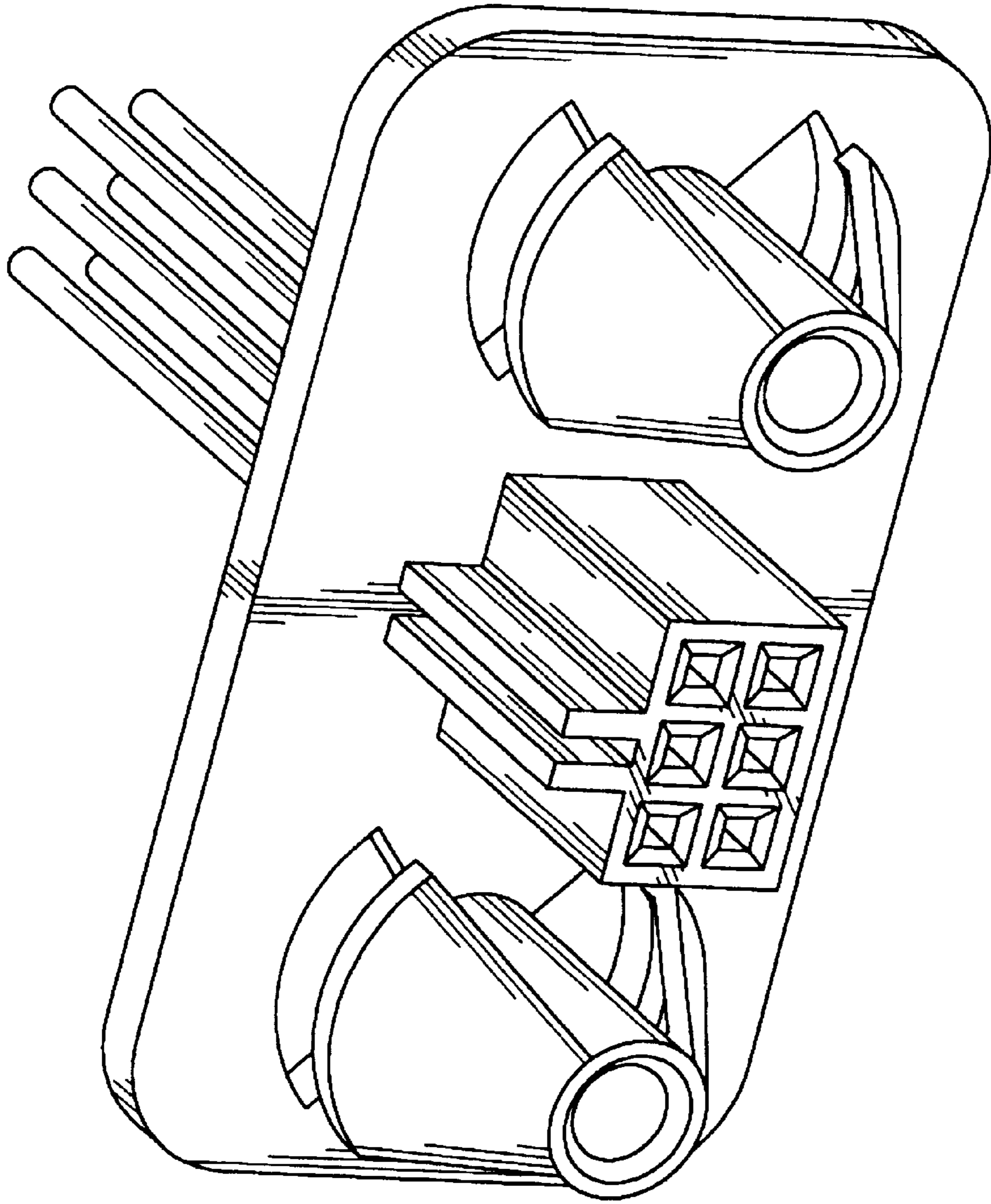


FIG. 1

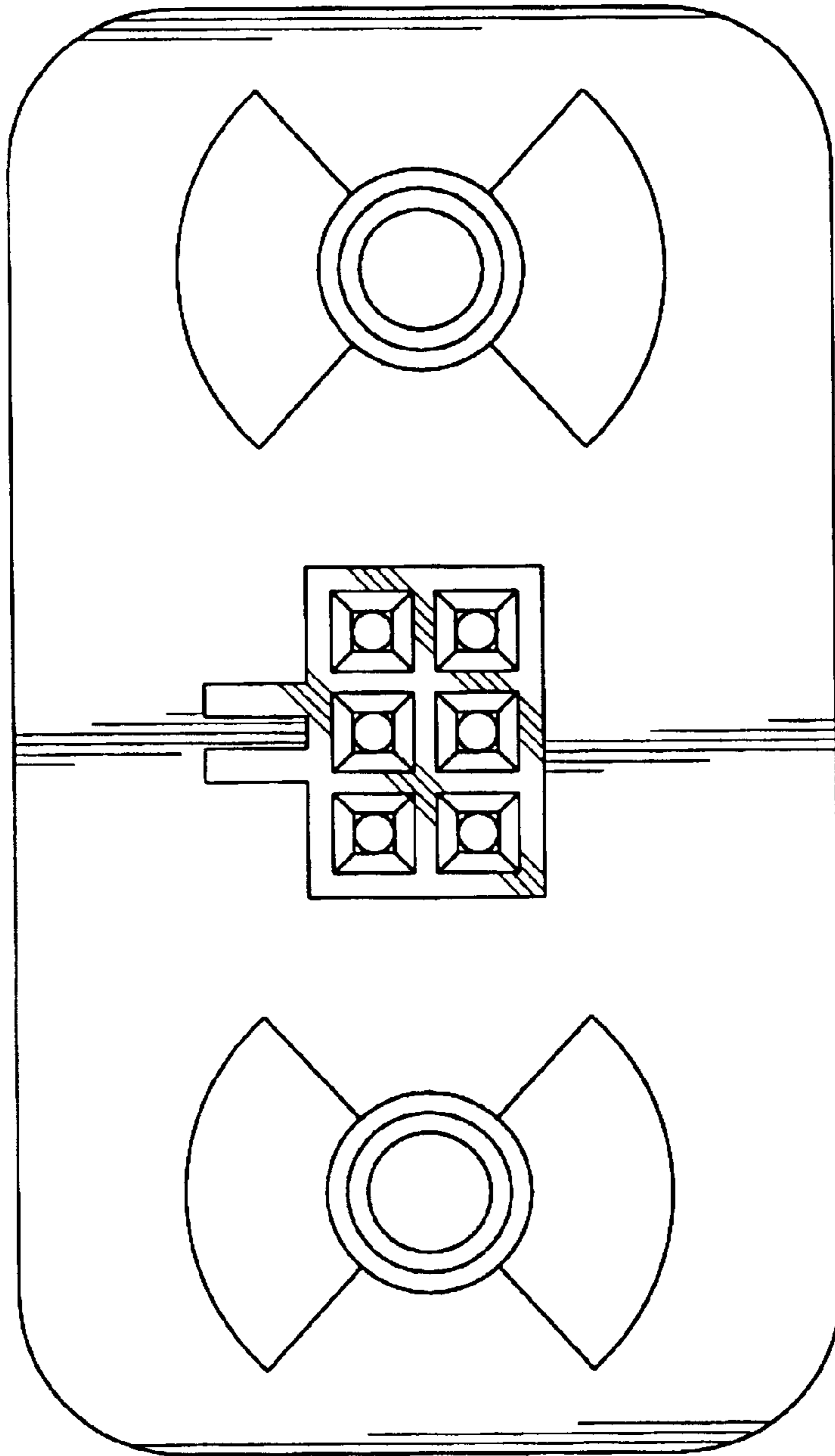


FIG. 2

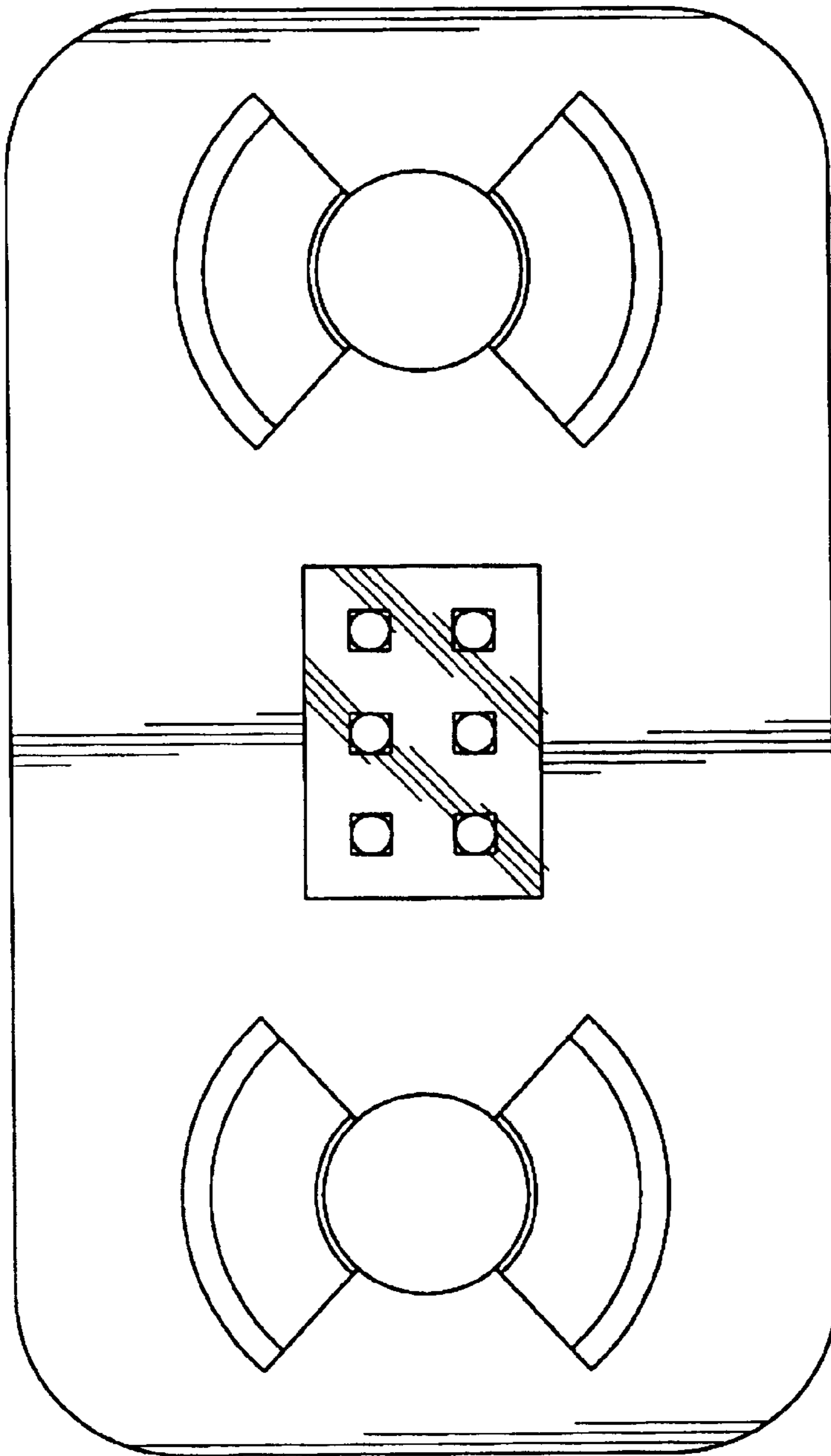


FIG. 3

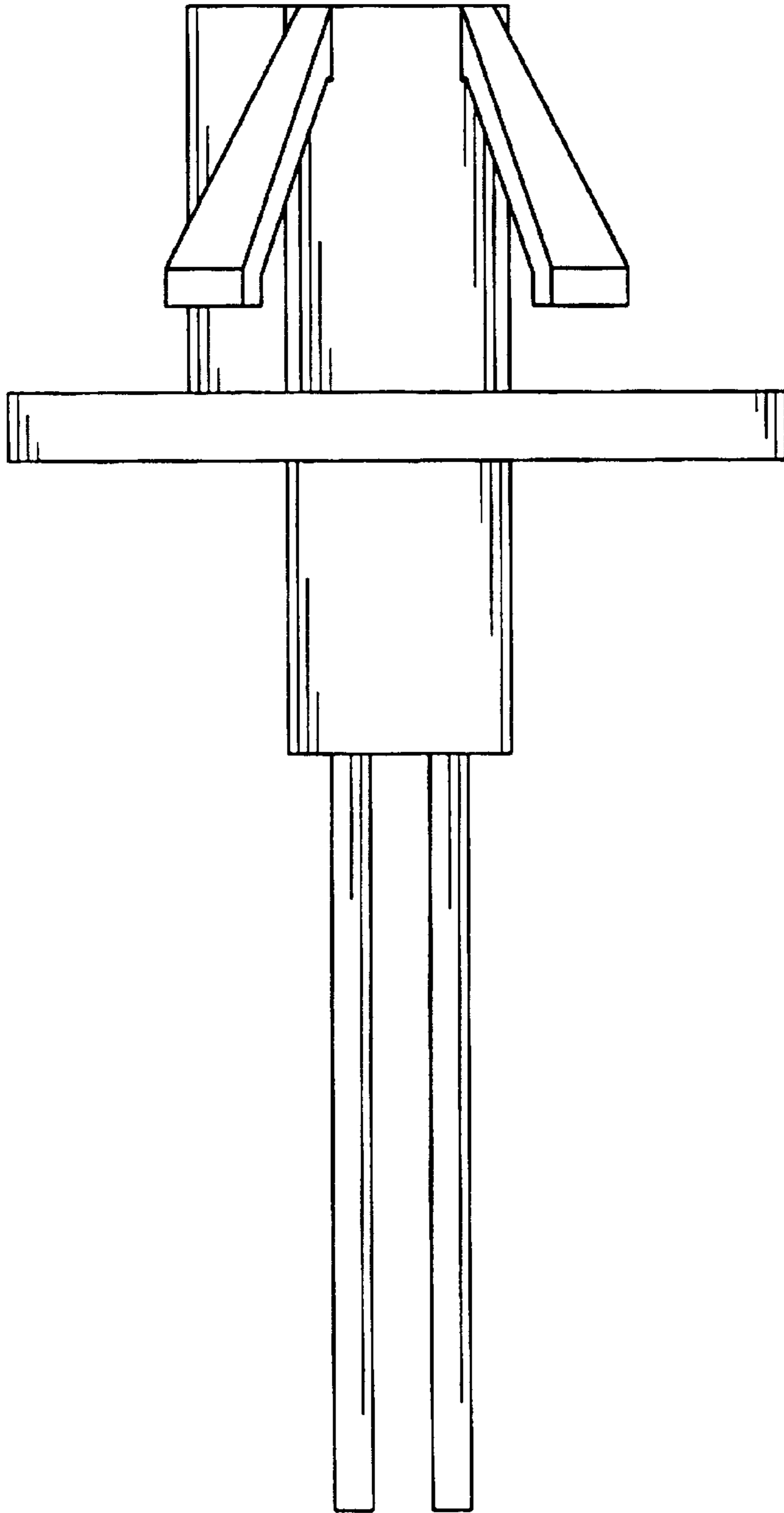


FIG. 4

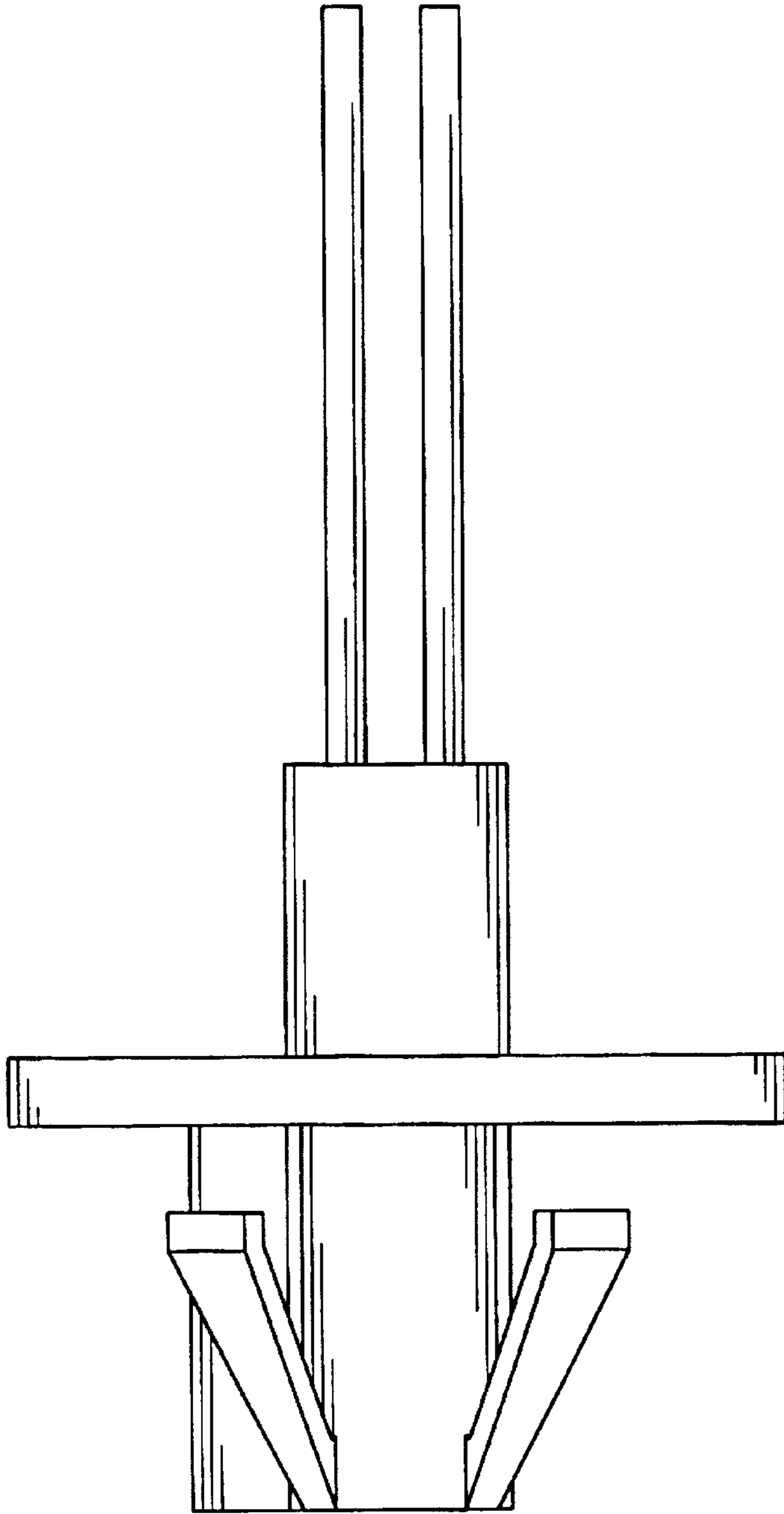


FIG. 5



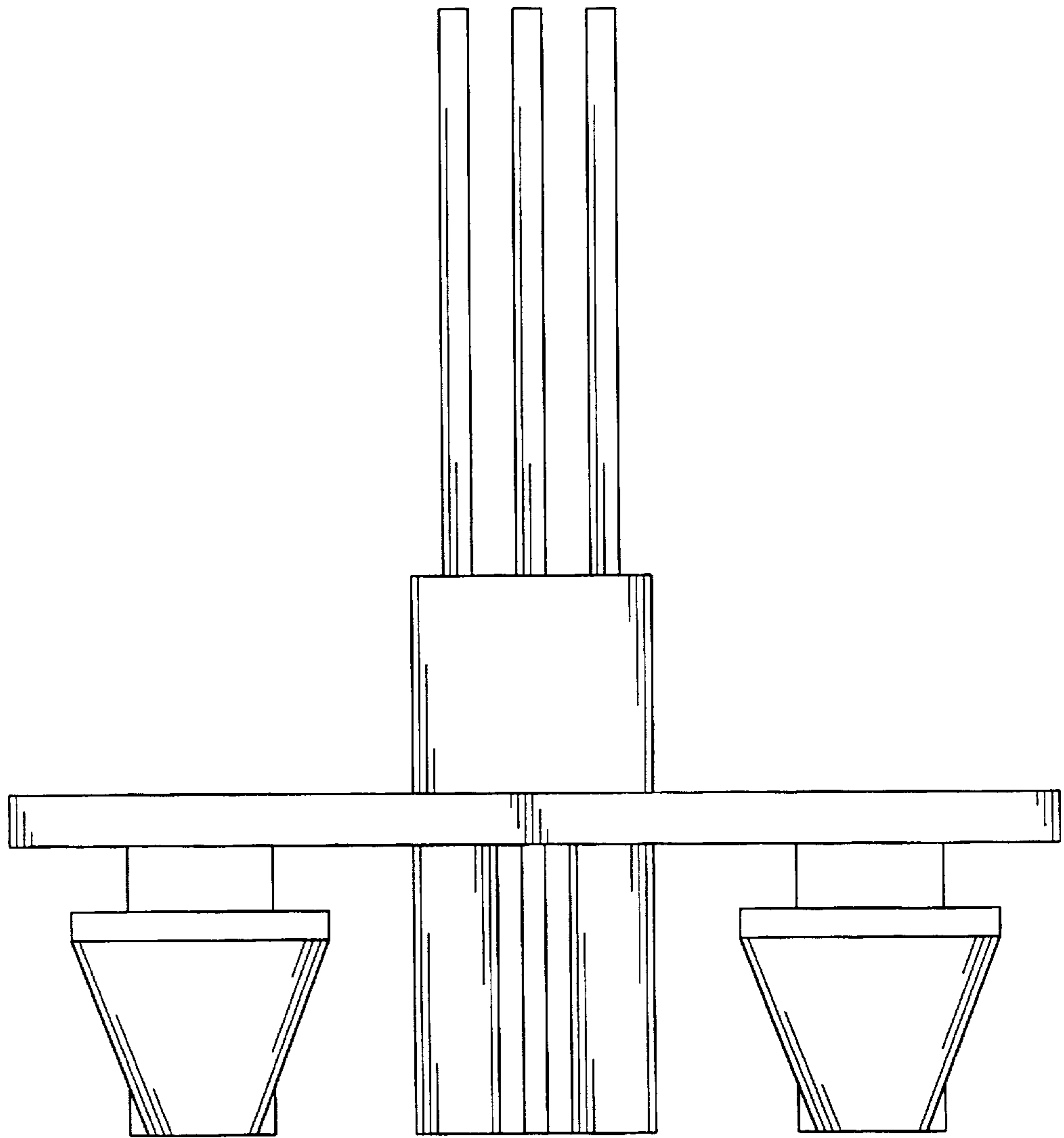


FIG. 6

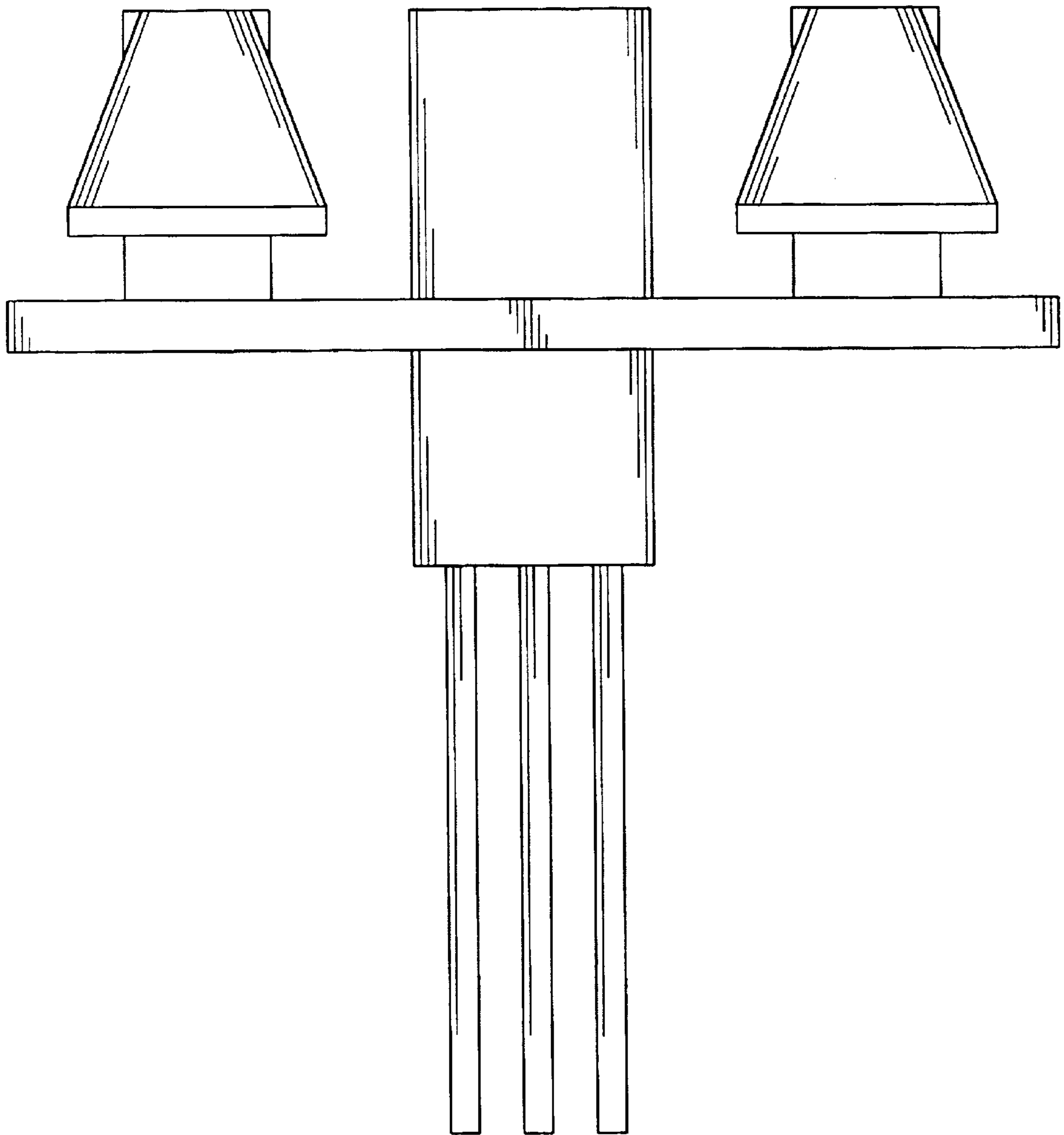


FIG. 7