



US00D434726S

United States Patent [19]
Middlehurst

[11] **Patent Number: Des. 434,726**

[45] **Date of Patent: ** Dec. 5, 2000**

[54] **SOCKET CONNECTOR WITH RIBBED TOWERS**

[75] Inventor: **Richard J. Middlehurst**, Fremont, Calif.

[73] Assignee: **TVM Group, Inc.**, Fremont, Calif.

[**] Term: **14 Years**

[21] Appl. No.: **29/113,132**

[22] Filed: **Oct. 29, 1999**

[51] **LOC (7) Cl.** **13-03**

[52] **U.S. Cl.** **D13/147**

[58] **Field of Search** D13/146, 147;
439/78, 248, 378, 678

[56] **References Cited**

U.S. PATENT DOCUMENTS

D. 408,789	4/1999	Middlehurst et al.	D13/154
D. 412,489	8/1999	Middlehurst et al.	D13/147
4,597,631	7/1986	Flores	385/53
4,647,130	3/1987	Blair et al.	439/248
4,664,456	5/1987	Blair et al.	439/108
4,761,144	8/1988	Hunt, III et al.	439/545
4,812,133	3/1989	Fleak et al.	439/248
4,998,892	3/1991	Shiley	439/381
5,314,357	5/1994	Weidler	439/701
5,554,055	9/1996	Miller	439/752

Primary Examiner—Joel Sincavage
Attorney, Agent, or Firm—Flehr Hohbach Test Albritton & Herbert LLP

[57] **CLAIM**

The ornamental design for a socket connector with ribbed towers, as shown and described.

DESCRIPTION

FIG. 1 is a perspective view of the socket connector with ribbed towers.

FIG. 2 is a top plan view of the socket connector with ribbed towers.

FIG. 3 is a bottom plan view of the socket connector with ribbed towers.

FIG. 4 is a right side elevational view of the socket connector with ribbed towers.

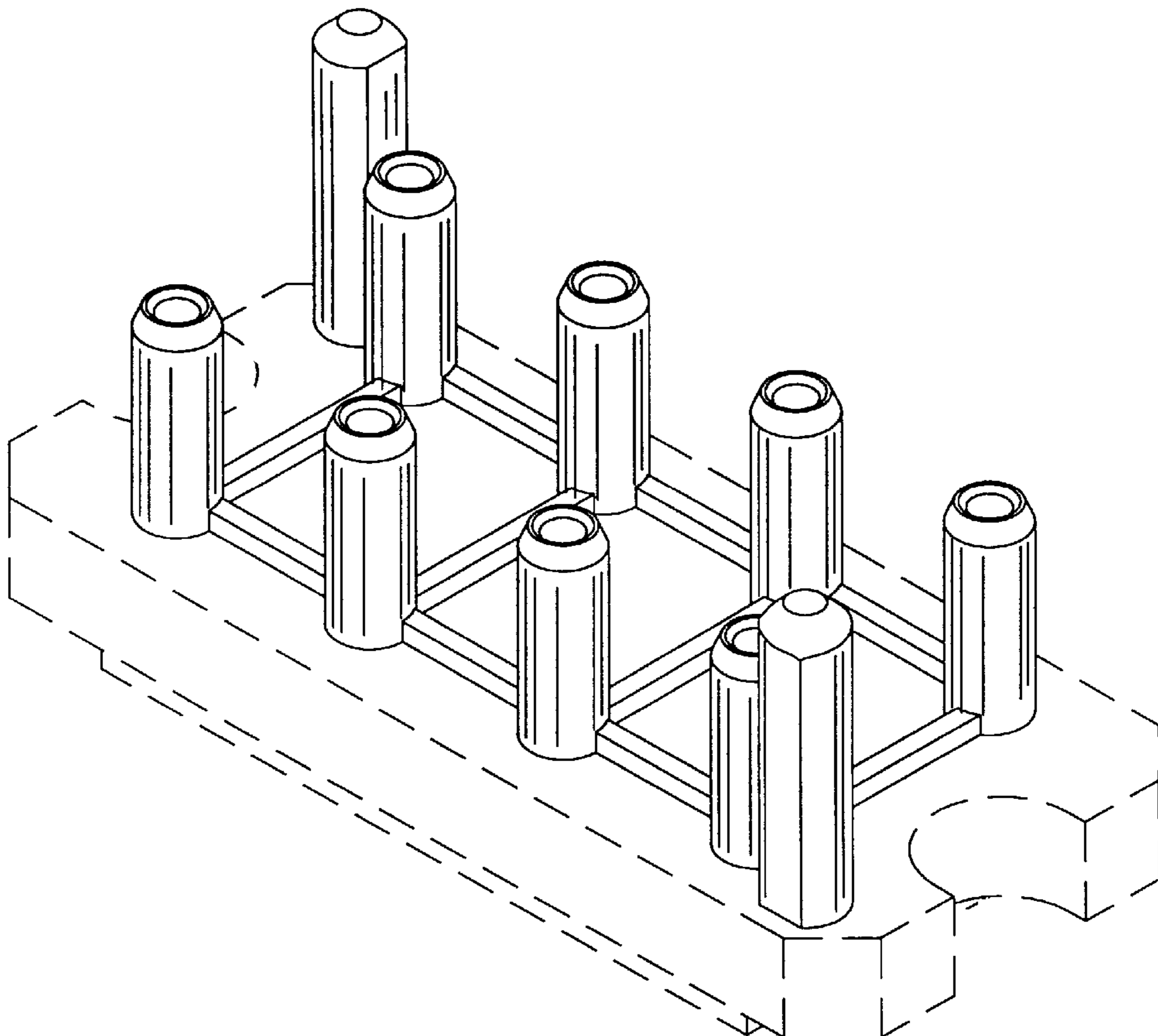
FIG. 5 is a left side elevational view of the socket connector with ribbed towers.

FIG. 6 is a front elevational view of the socket connector with ribbed towers; and,

FIG. 7 is a rear elevational view of the socket connector with ribbed towers.

The broken line showing throughout the drawing figures is included for the purpose of illustrating environmental structure only and forms no part of the claimed design.

1 Claim, 3 Drawing Sheets



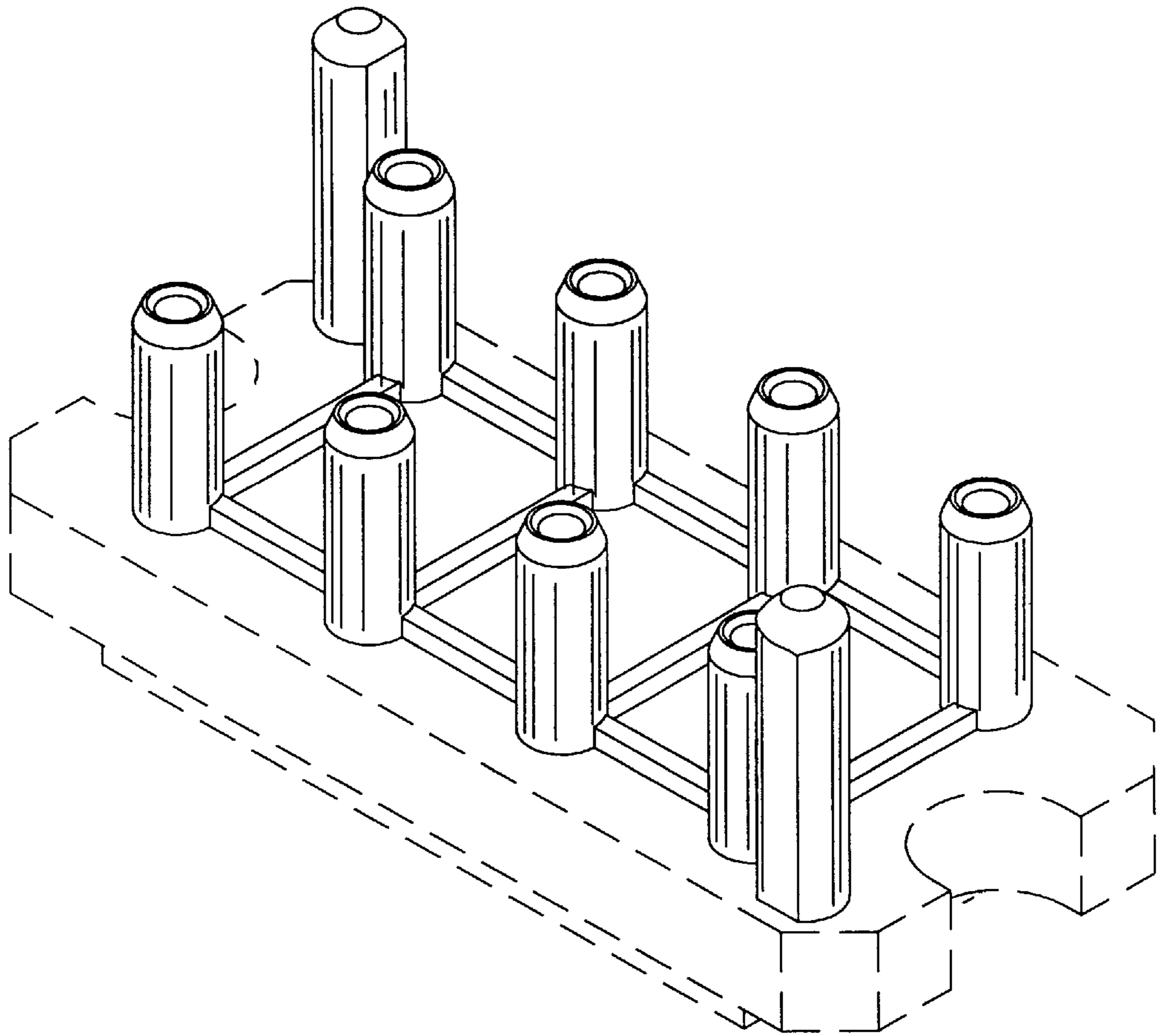


FIG. 1

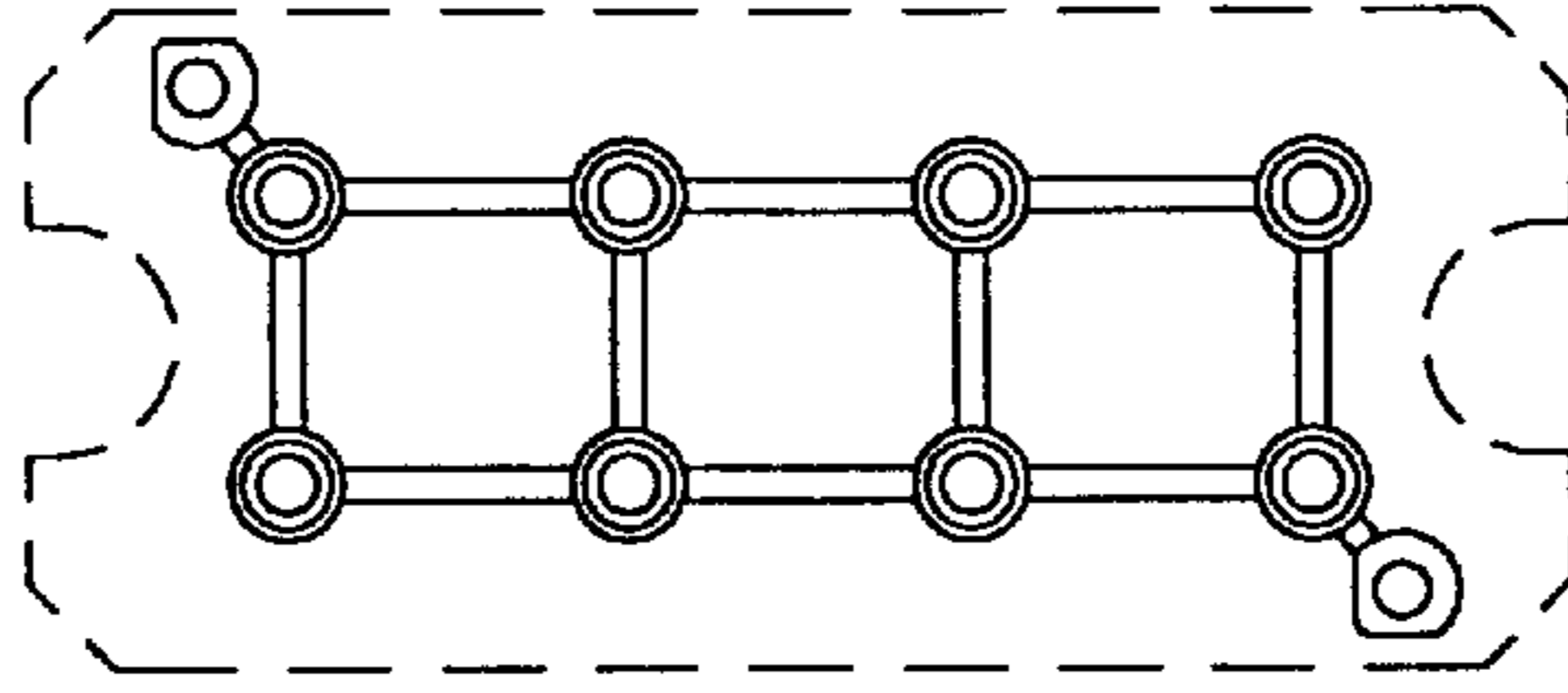


FIG. 2

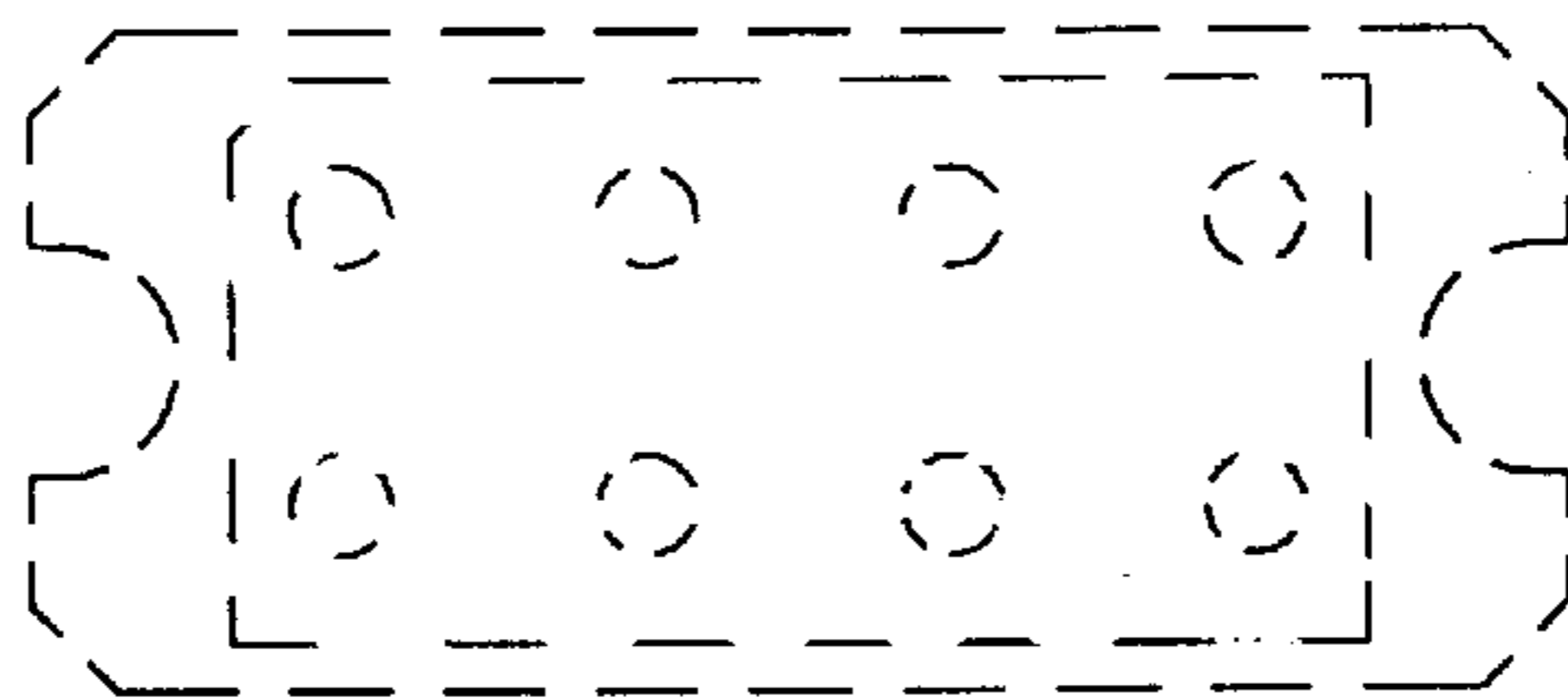


FIG. 3

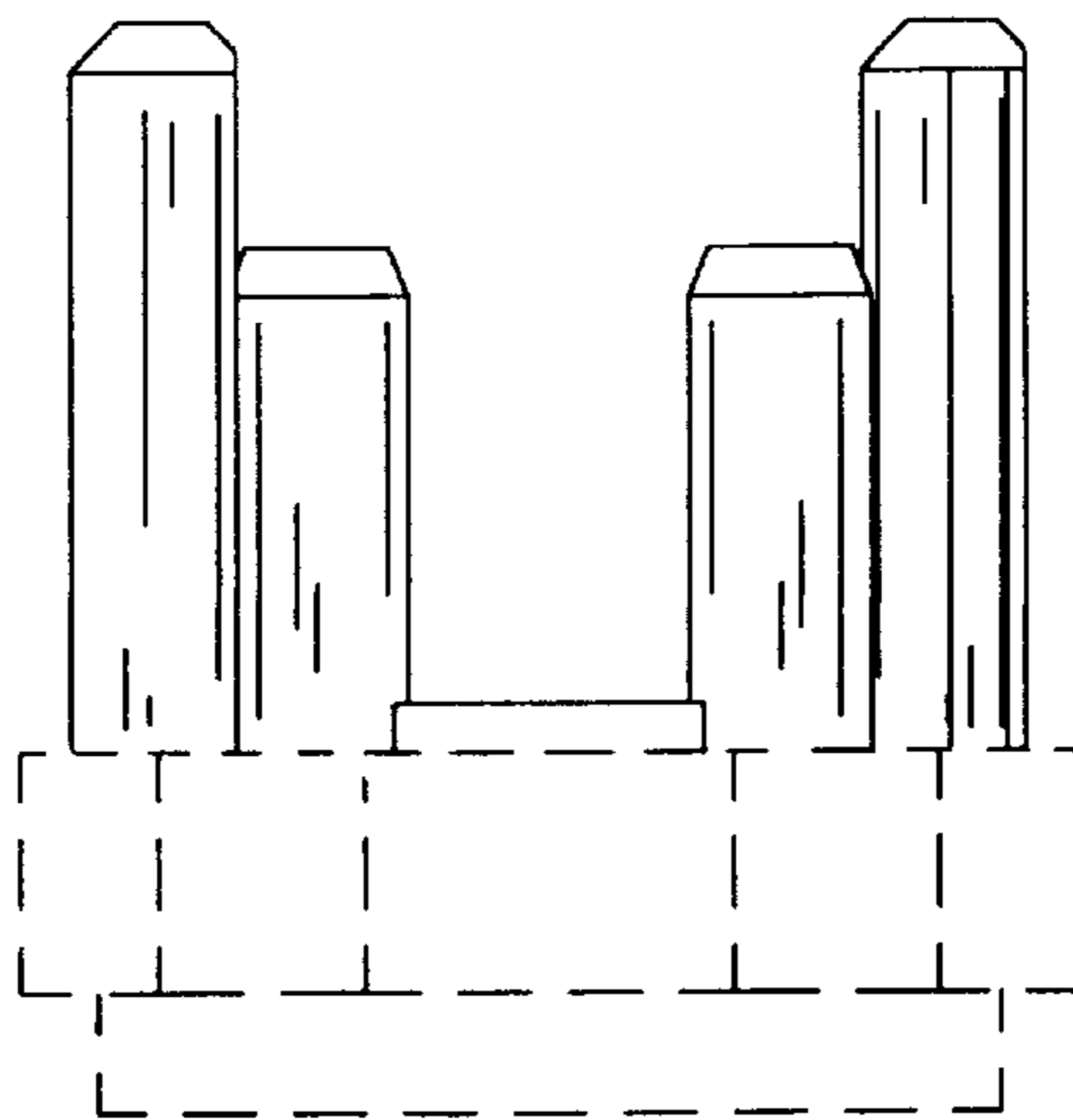


FIG. 4

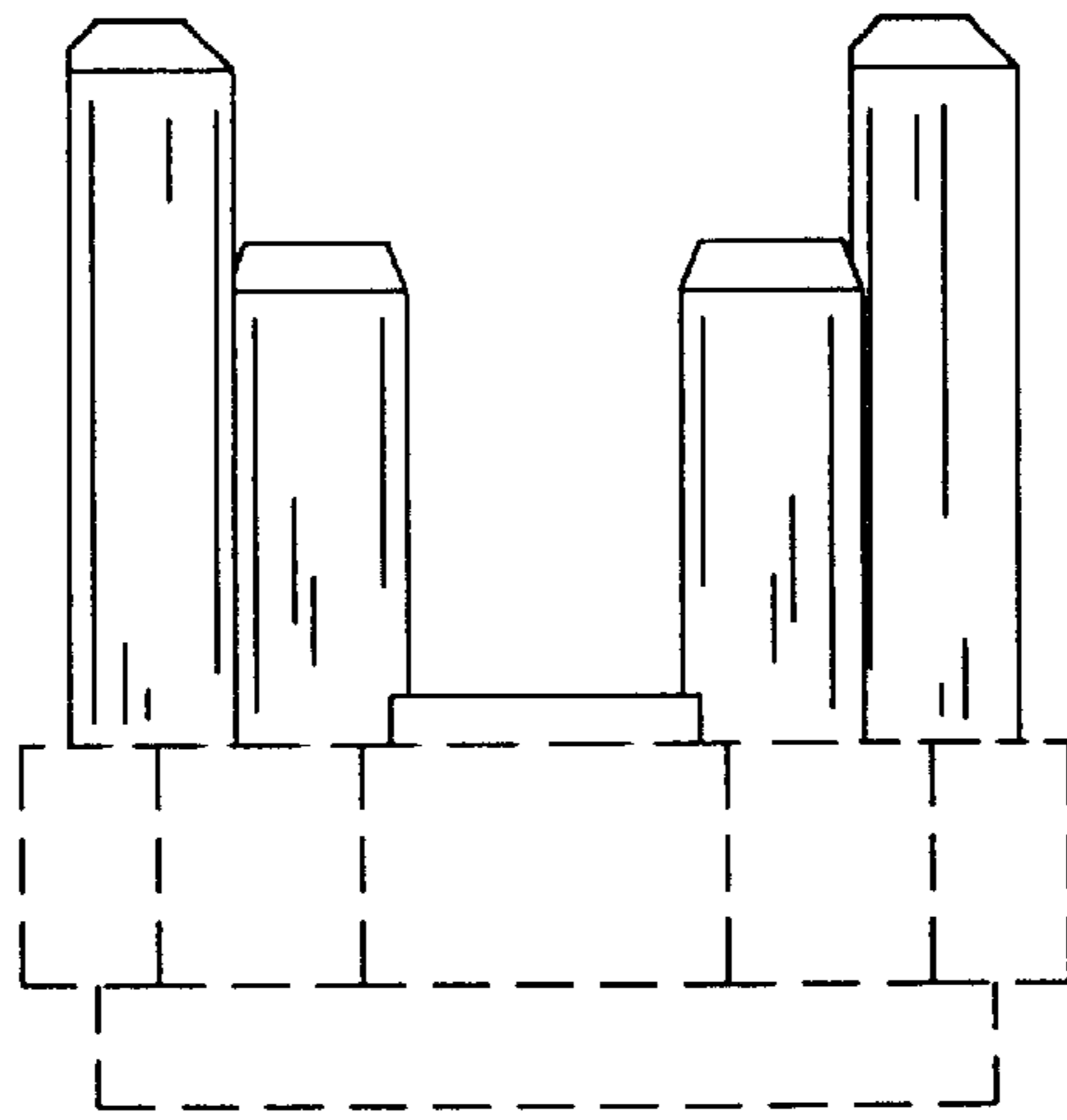


FIG. 5

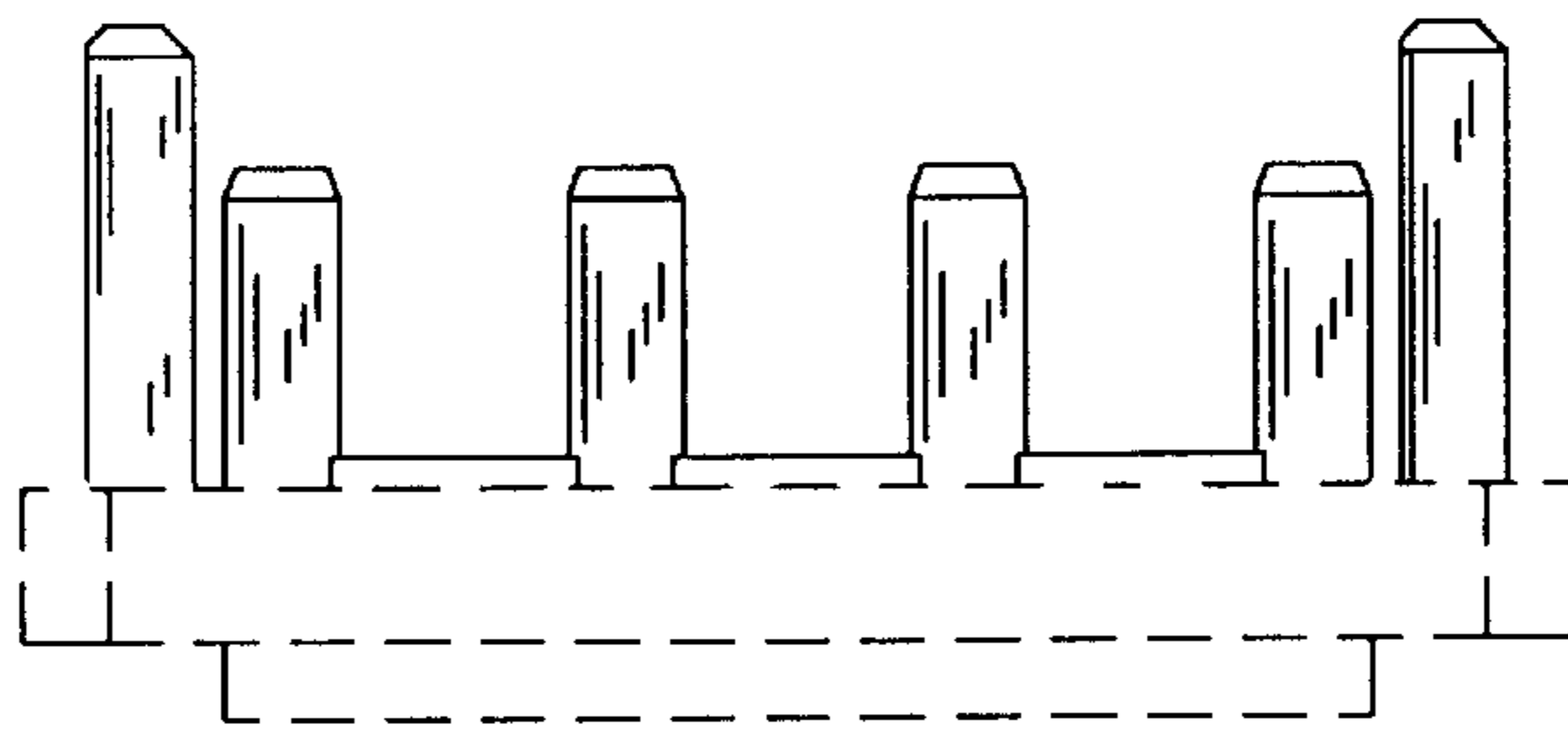


FIG. 6

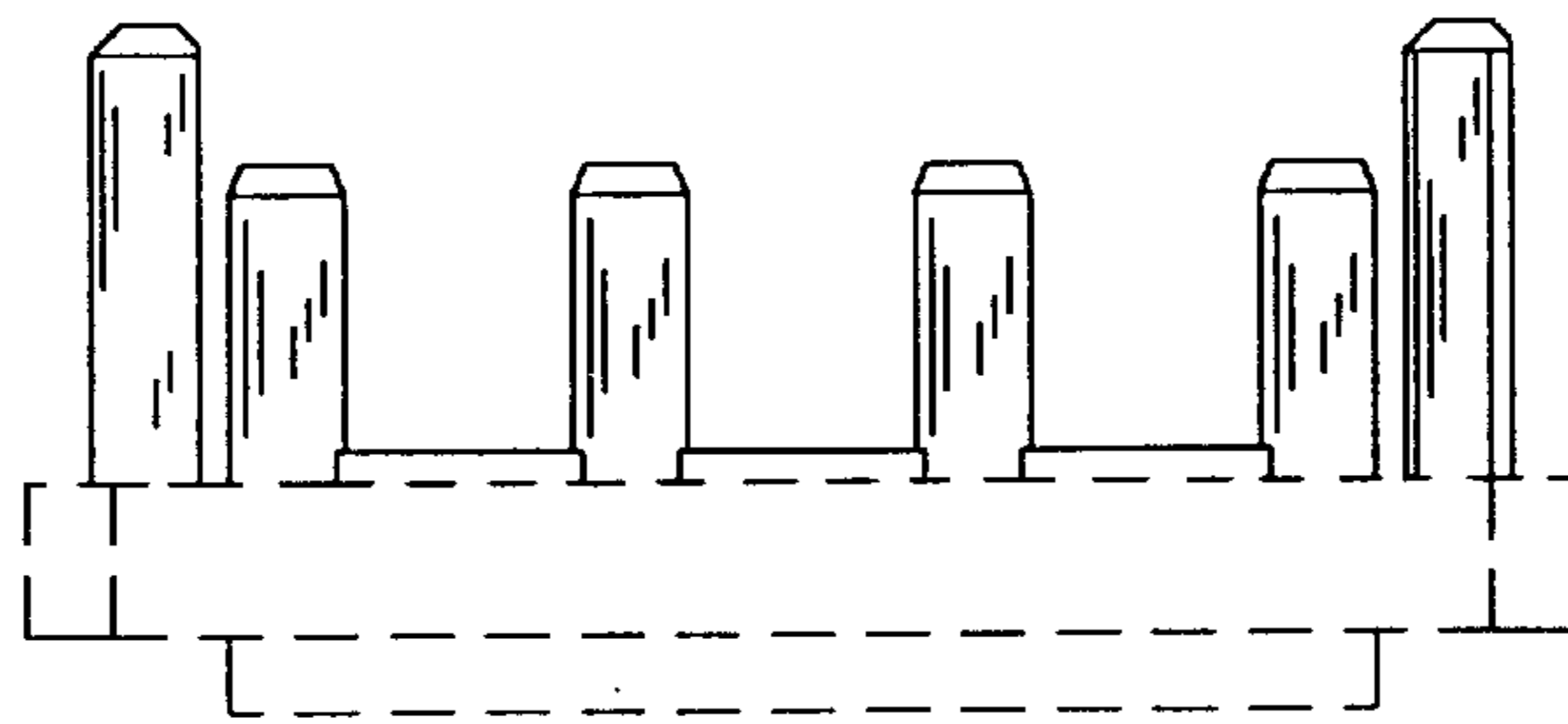


FIG. 7