



US00D434722S

United States Patent [19]

Zolyomi et al.

[11] Patent Number: **Des. 434,722**

[45] Date of Patent: **** Dec. 5, 2000**

[54] **BATTERY**

4,737,420 4/1988 Ikeda et al. 429/1
4,997,731 3/1991 Machida et al. 429/90

[75] Inventors: **Wendel Zolyomi; Randall P. Chambers; William C. Phelps**, all of Lawrenceville, Ga.

Primary Examiner—Joel Sincavage
Attorney, Agent, or Firm—Felipe J. Farley; Philip H. Burrus, IV

[73] Assignee: **Motorola, Inc.**, Schaumburg, Ill.

[57] **CLAIM**

[**] Term: **14 Years**

The ornamental design for a battery, as shown and described.

[21] Appl. No.: **29/092,909**

DESCRIPTION

[22] Filed: **Aug. 29, 1998**

FIG. 1 is a perspective view of a battery showing our new design;

[51] **LOC (7) Cl.** **13-02**

FIG. 2 is a perspective view thereof;

[52] **U.S. Cl.** **D13/103**

FIG. 3 is a side view thereof;

[58] **Field of Search** D13/103; 429/96-100, 429/163, 176

FIG. 4 is a side view thereof;

FIG. 5 is an end view thereof;

FIG. 6 is an end view thereof;

FIG. 7 is a top view thereof; and,

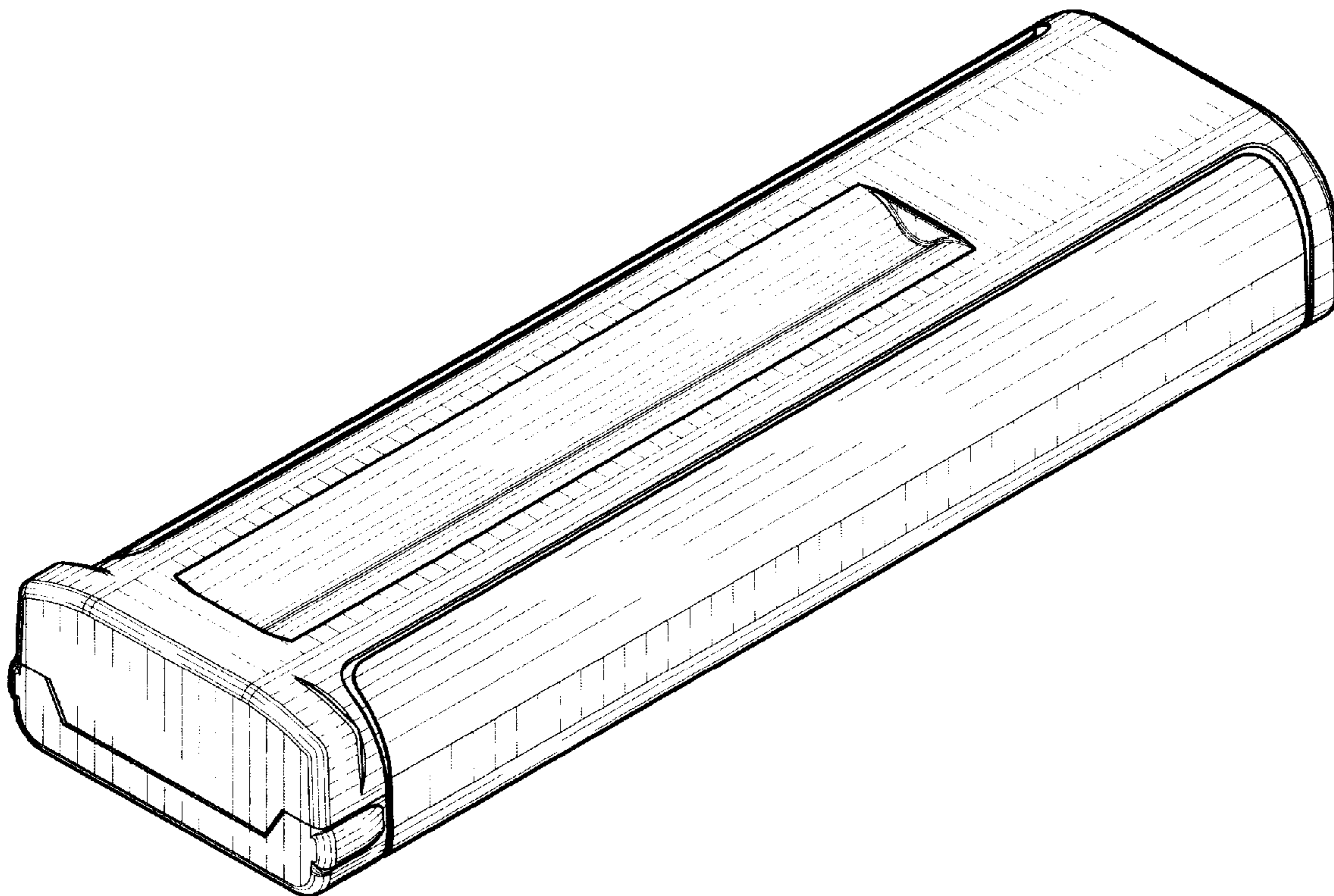
FIG. 8 is a bottom view thereof.

[56] **References Cited**

U.S. PATENT DOCUMENTS

D. 225,109 11/1972 Flidor D13/103
4,576,880 3/1986 Verdier et al. 429/99

1 Claim, 5 Drawing Sheets



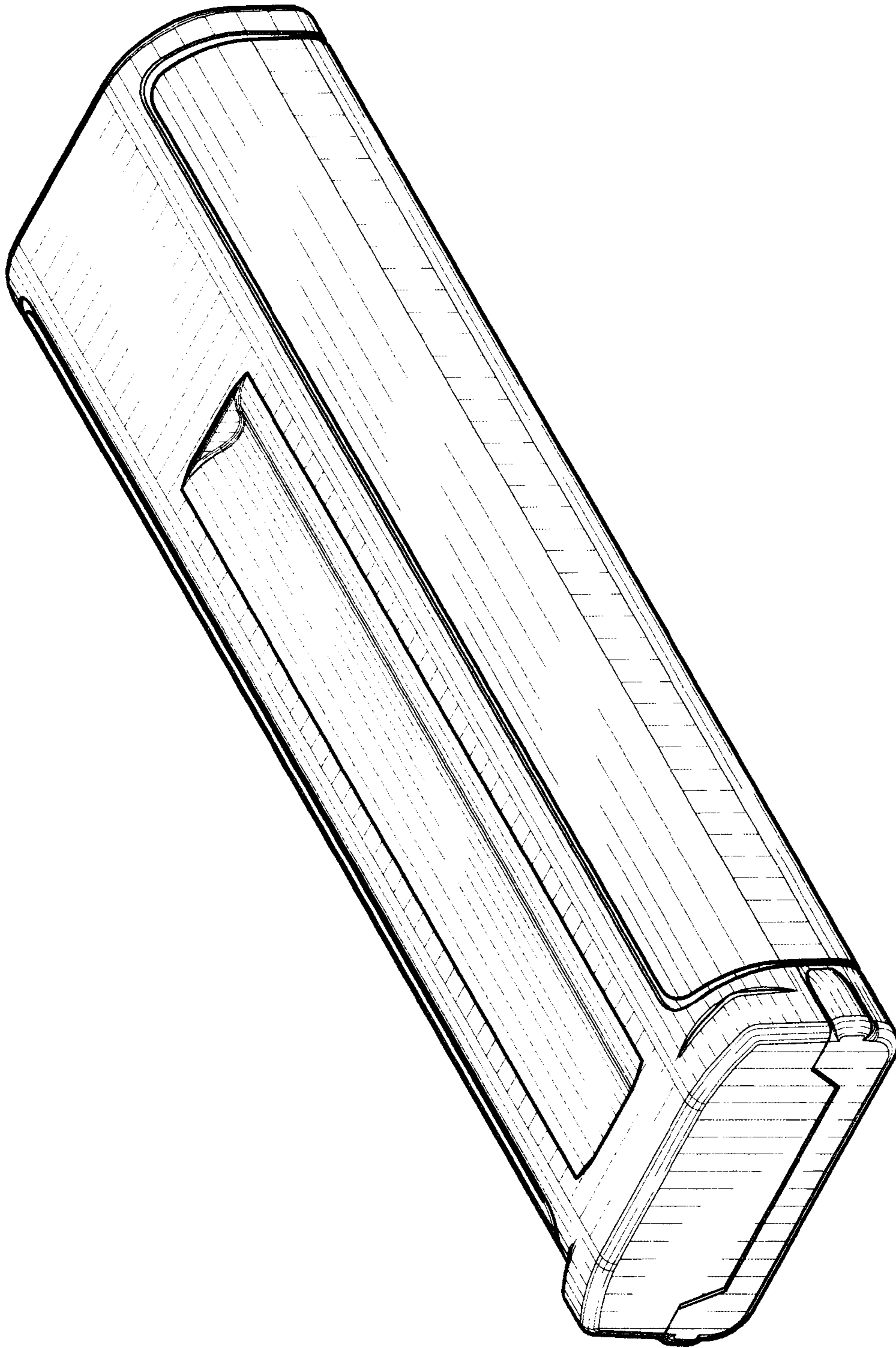


FIG. 1

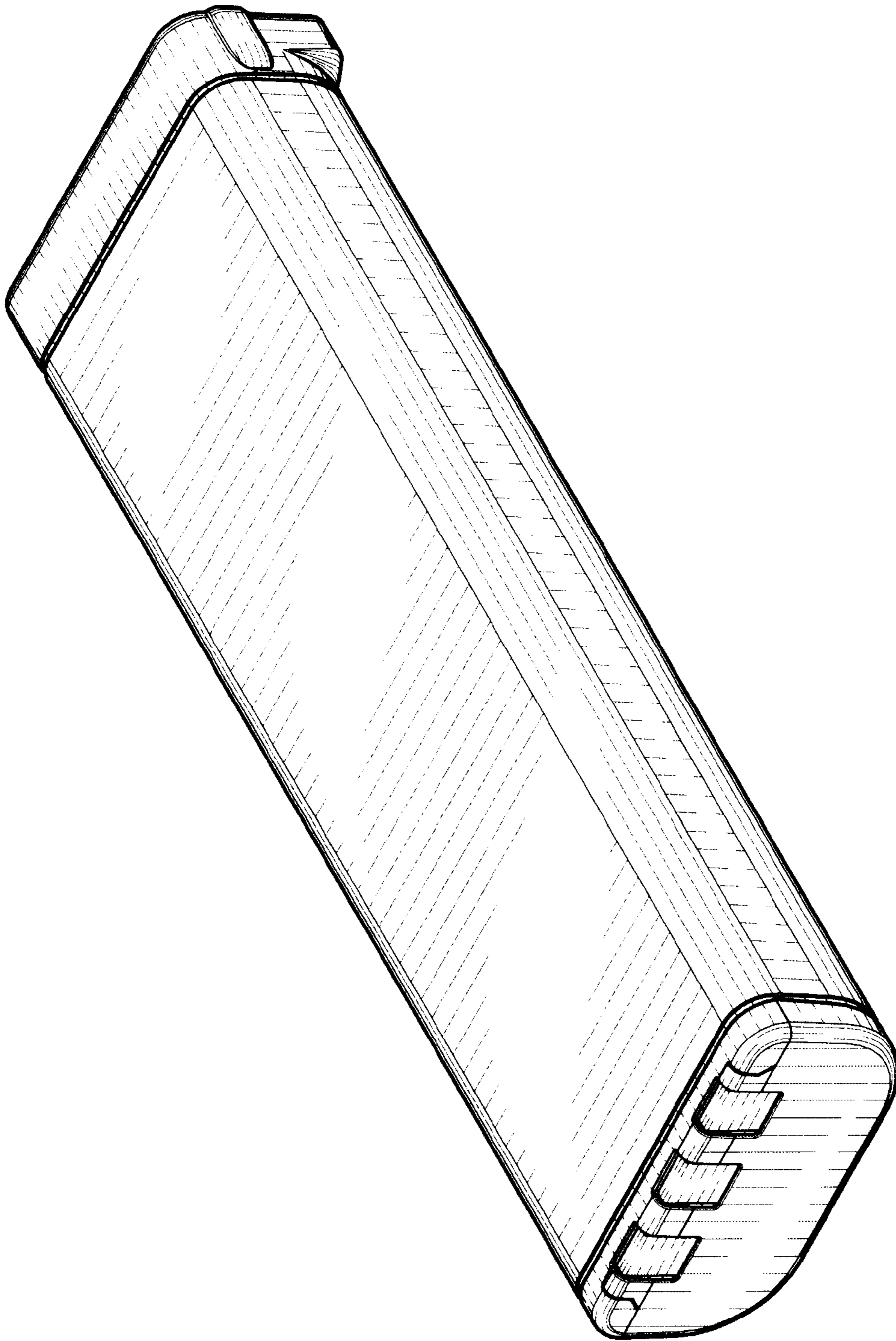


FIG. 2

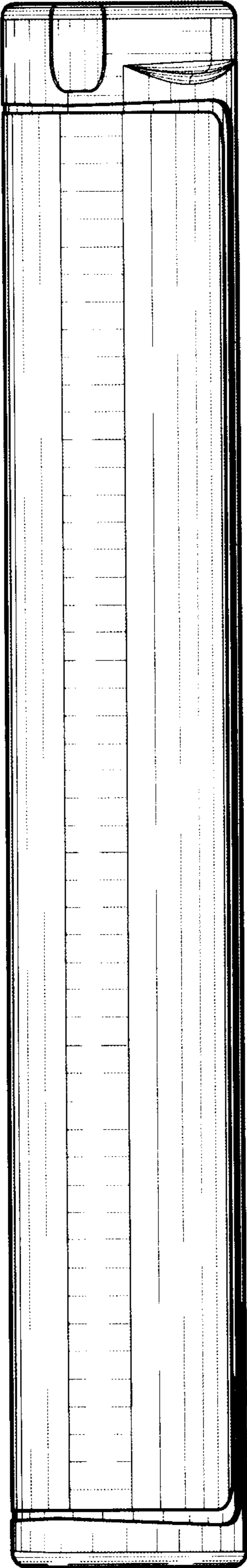


FIG. 3

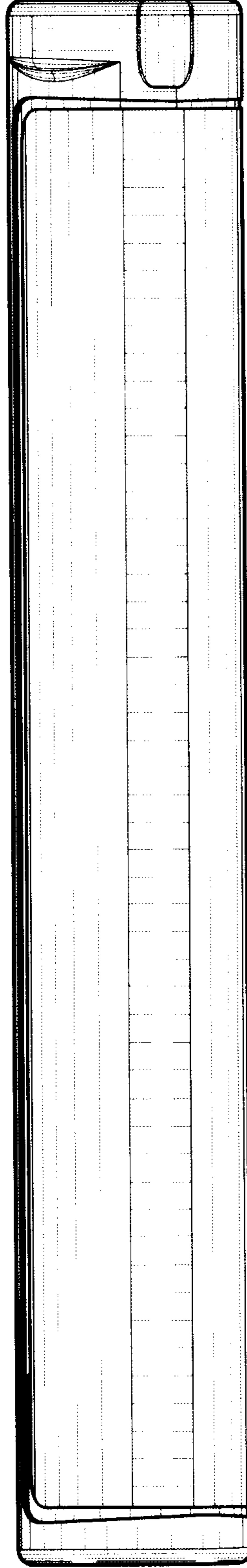


FIG. 4

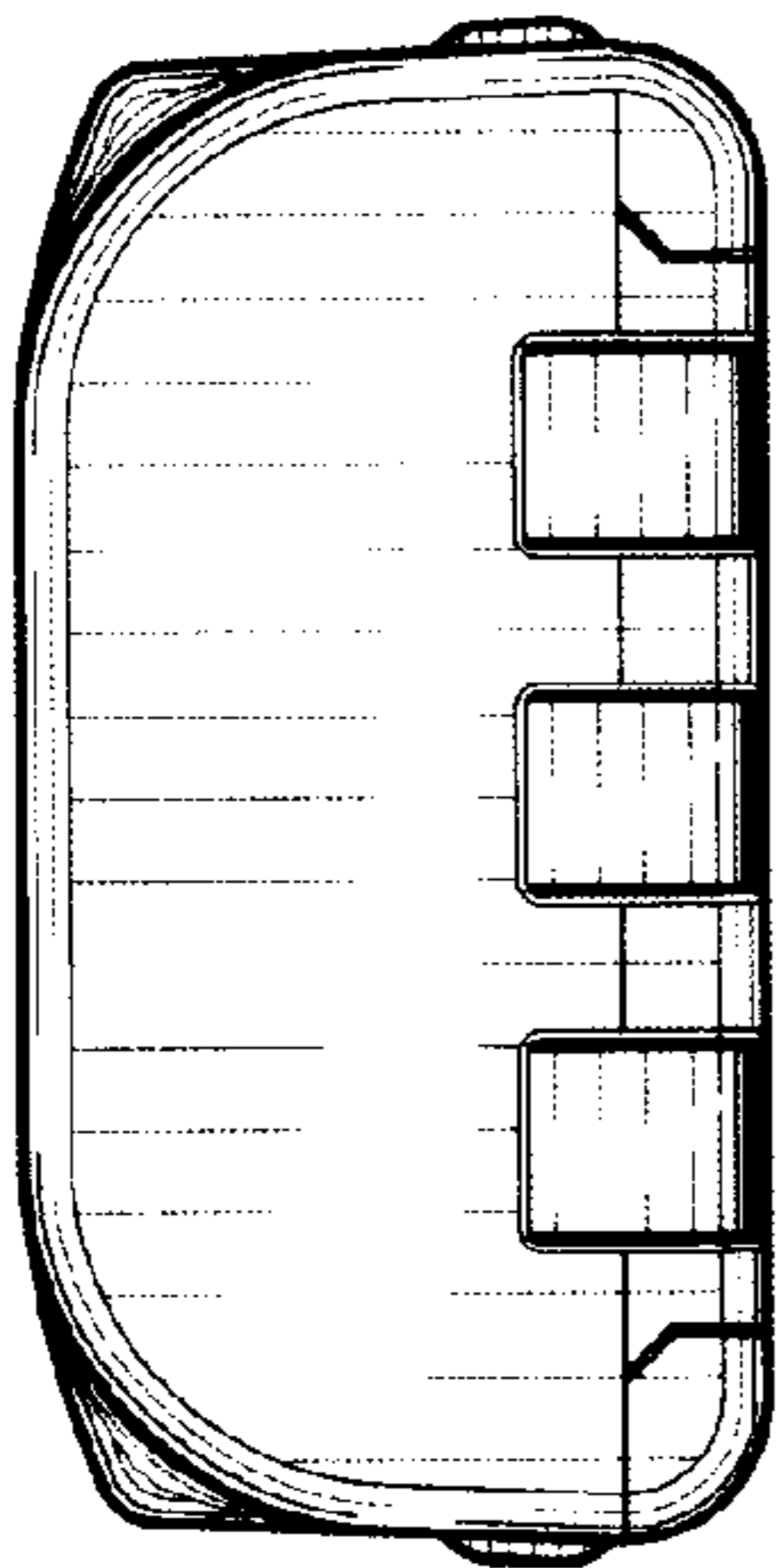


FIG. 5

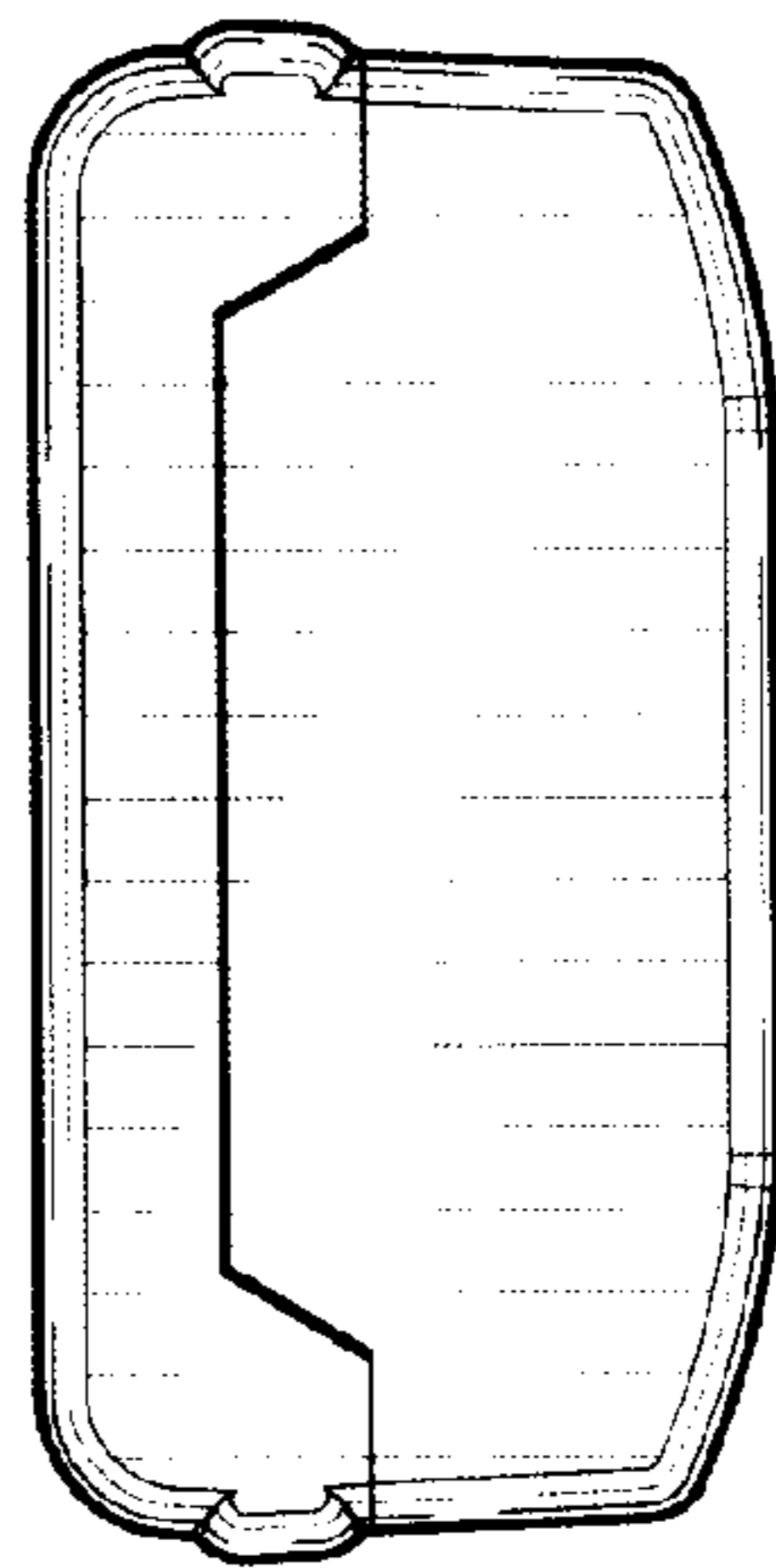


FIG. 6

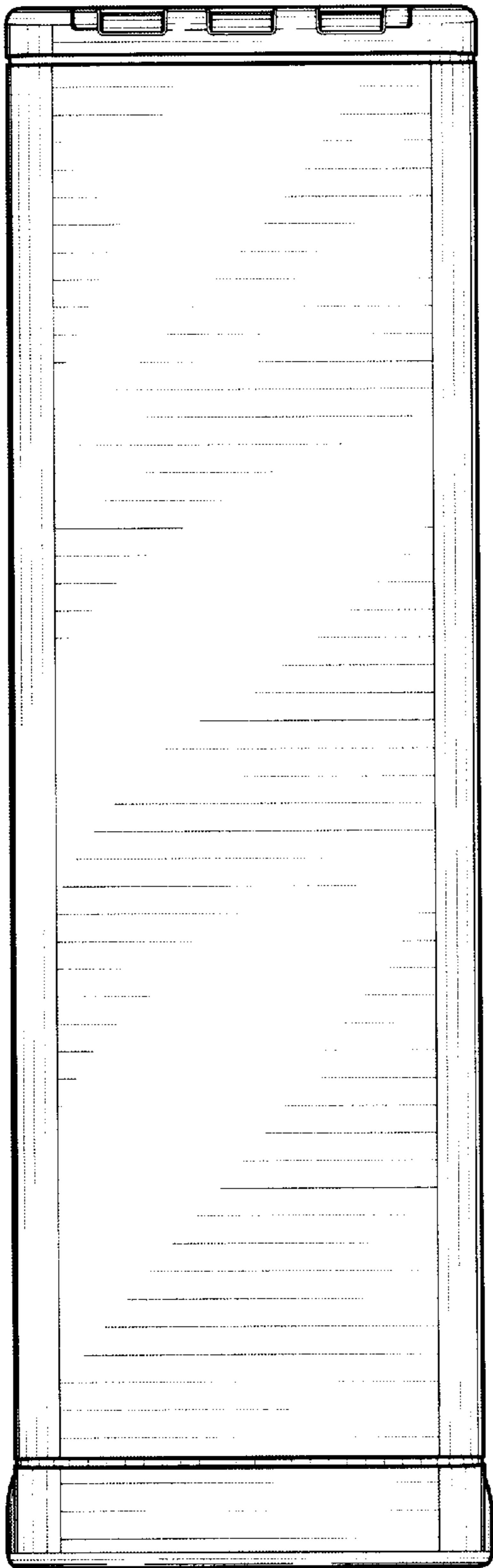


FIG. 7

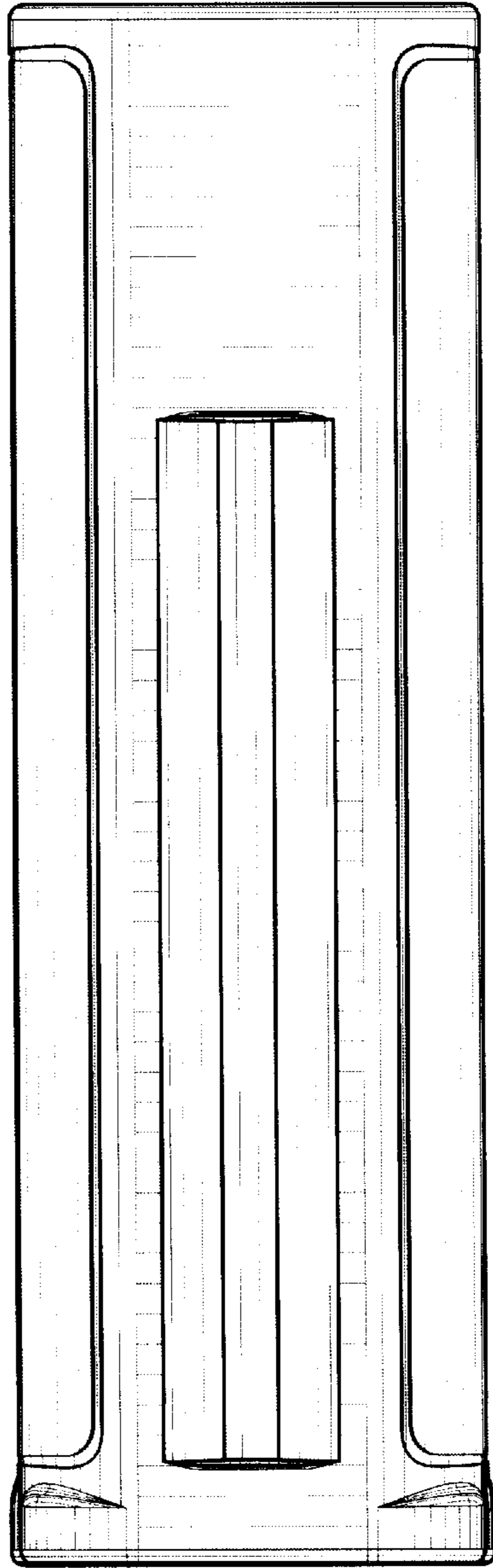


FIG. 8