



US00D434721S

# United States Patent [19] Lieberman

[11] Patent Number: **Des. 434,721**

[45] Date of Patent: **\*\* Dec. 5, 2000**

[54] **STORAGE CONSOLE**

[76] Inventor: **Kelly S. Lieberman**, 5346 W. 123rd St., Overland Park, Kans. 66209

[\*\*] Term: **14 Years**

[21] Appl. No.: **29/120,642**

[22] Filed: **Mar. 23, 2000**

[51] **LOC (7) Cl.** ..... **12-16**

[52] **U.S. Cl.** ..... **D12/419**

[58] **Field of Search** ..... D12/415, 419, D12/423-426.1; 248/311.1, 311.2; 296/37.1, 37.6-37.8, 37.13-37.16; 224/42.11, 42.24, 42.25, 275, 400, 277; D7/553.3-553.5, 619-620, 701, 708, 605; 108/43-46, 132, 147, 157; D3/905

[56] **References Cited**

**U.S. PATENT DOCUMENTS**

D. 224,673	8/1972	Brooks	.....	D12/419
D. 271,541	11/1983	Rockwell	.....	D12/419
D. 304,263	10/1989	Mull	.....	D12/419
D. 317,674	6/1991	Smith	.....	D12/419
D. 323,932	2/1992	Hudgens	.....	D12/419
D. 327,364	6/1992	Mankey	.....	D12/419
D. 352,495	11/1994	Mawhinney et al.	.....	D12/419

D. 362,837	10/1995	Mankey et al.	.....	D12/419
D. 367,035	2/1996	Wells	.....	D12/419
D. 371,538	7/1996	Ferrigan	.....	D12/419
D. 375,480	11/1996	Smith	.....	D12/419
D. 375,719	11/1996	Schlangen et al.	.....	D12/419
D. 375,931	11/1996	Ferrigan	.....	D12/419
D. 398,577	9/1998	Dandino, III	.....	D12/415
D. 415,732	10/1999	Latham	.....	D12/419

*Primary Examiner*—Stacia Cadmus  
*Attorney, Agent, or Firm*—Chase & Yakimo, L.C.

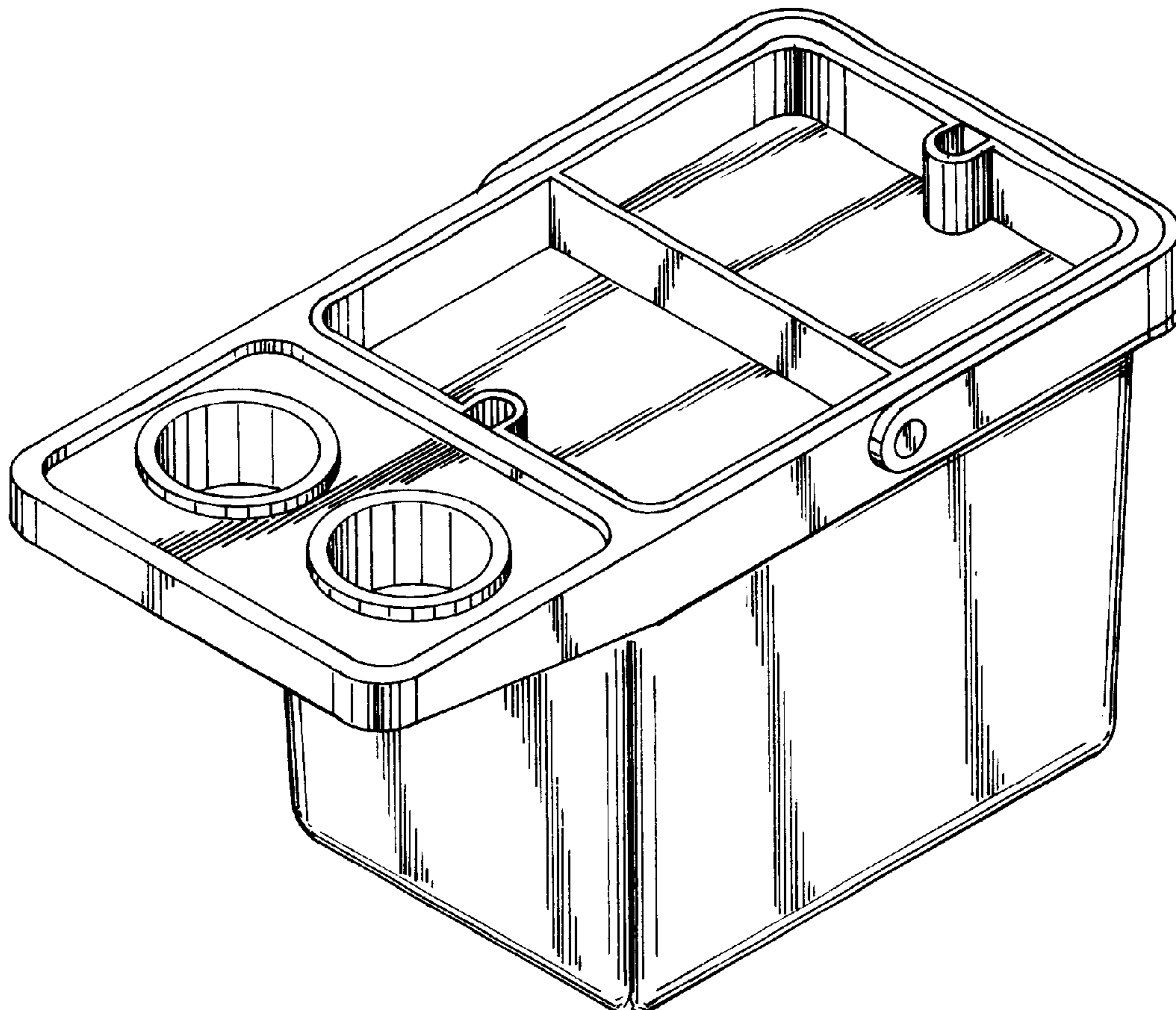
[57] **CLAIM**

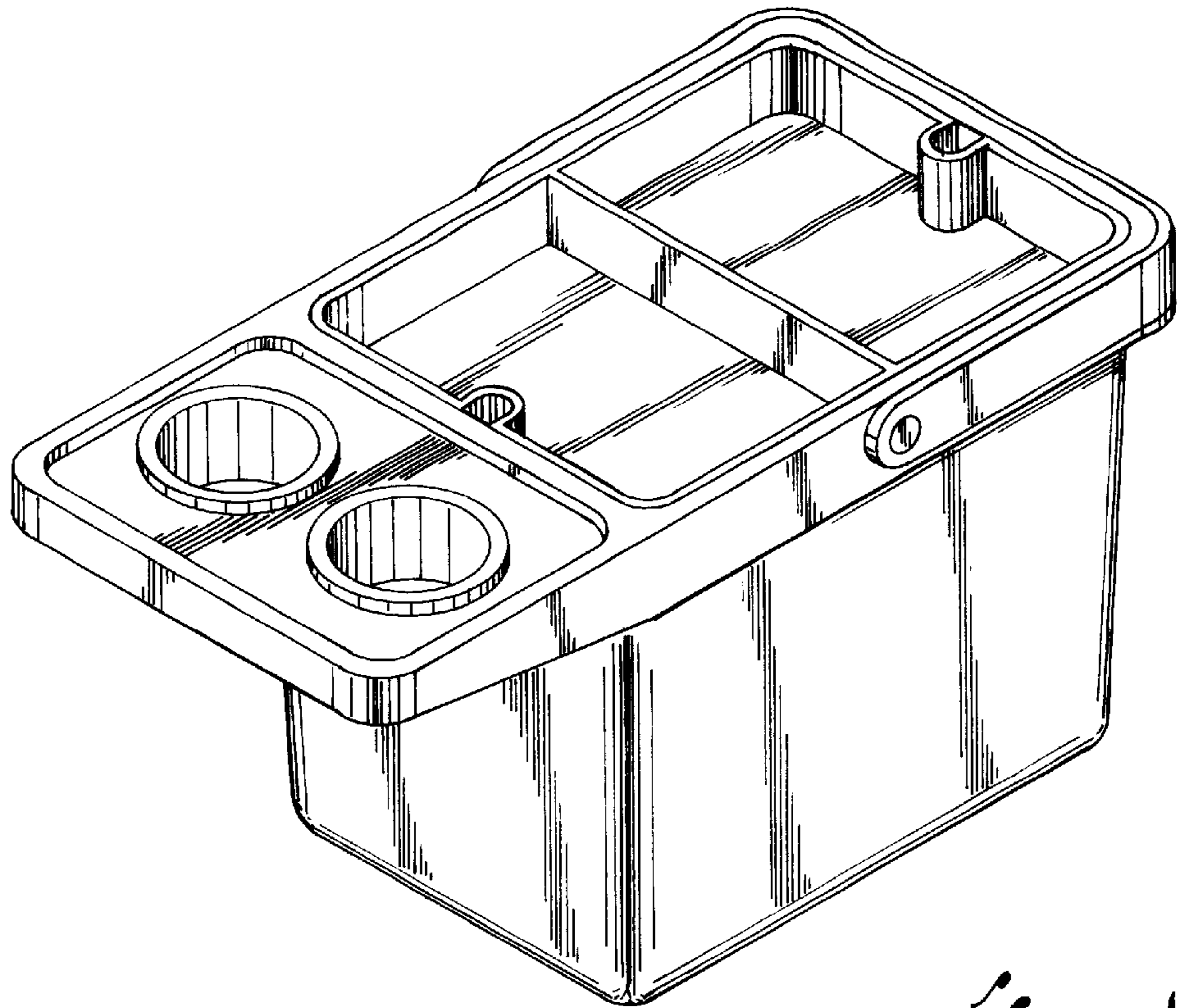
The ornamental design for a storage console, as shown and described.

**DESCRIPTION**

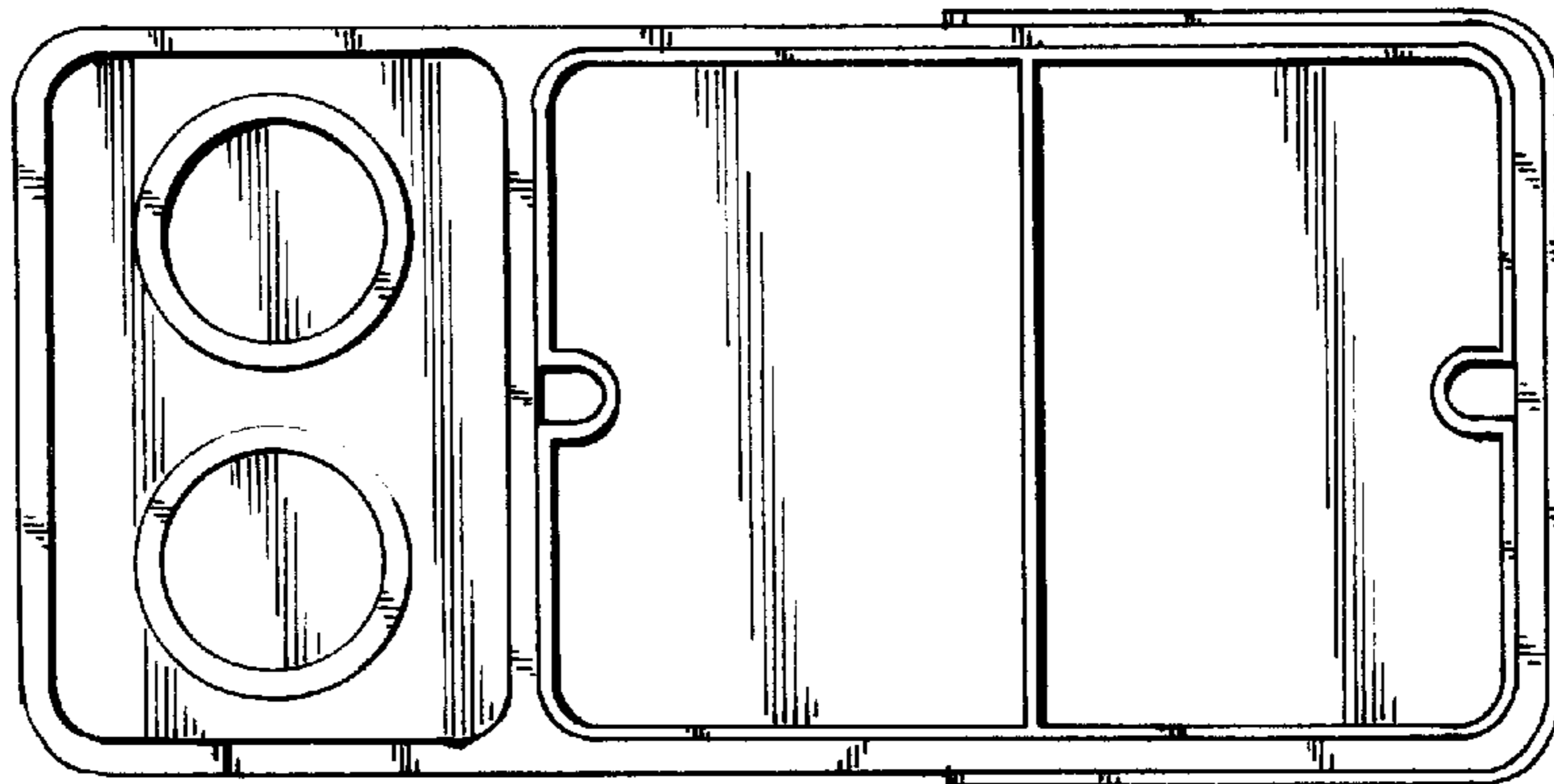
FIG. 1 is a perspective view of my storage console showing my new design;  
FIG. 2 is a top view of the storage console shown in FIG. 1;  
FIG. 3 is a right side view of the storage console of FIG. 1 with the opposed left side view being a mirror image thereof;  
FIG. 4 is a front view of the storage console of FIG. 1;  
FIG. 5 is a rear view of the storage console shown in FIG. 1; and,  
FIG. 6 is a bottom view of the storage console as shown in FIG. 1.

**1 Claim, 2 Drawing Sheets**

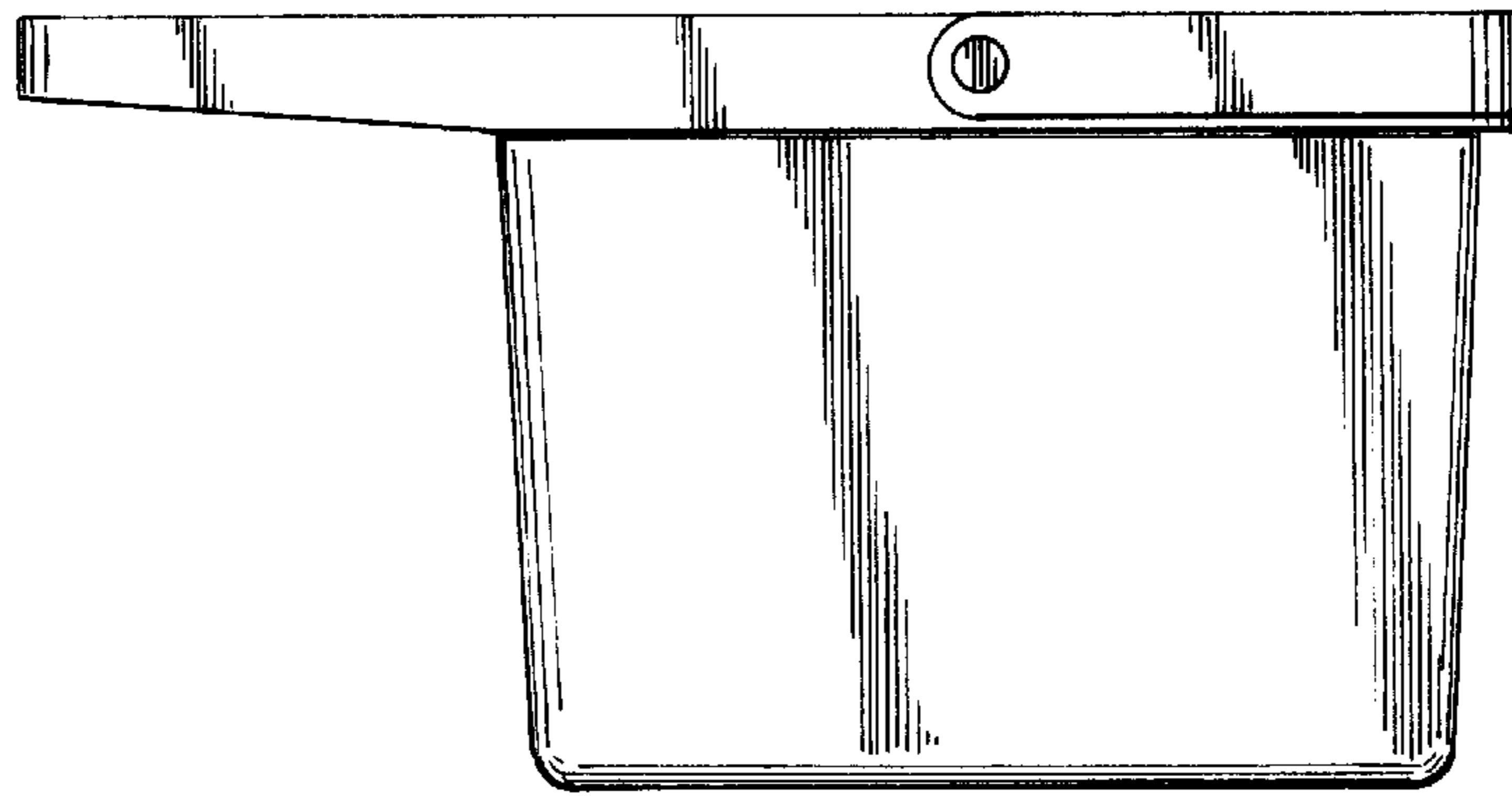




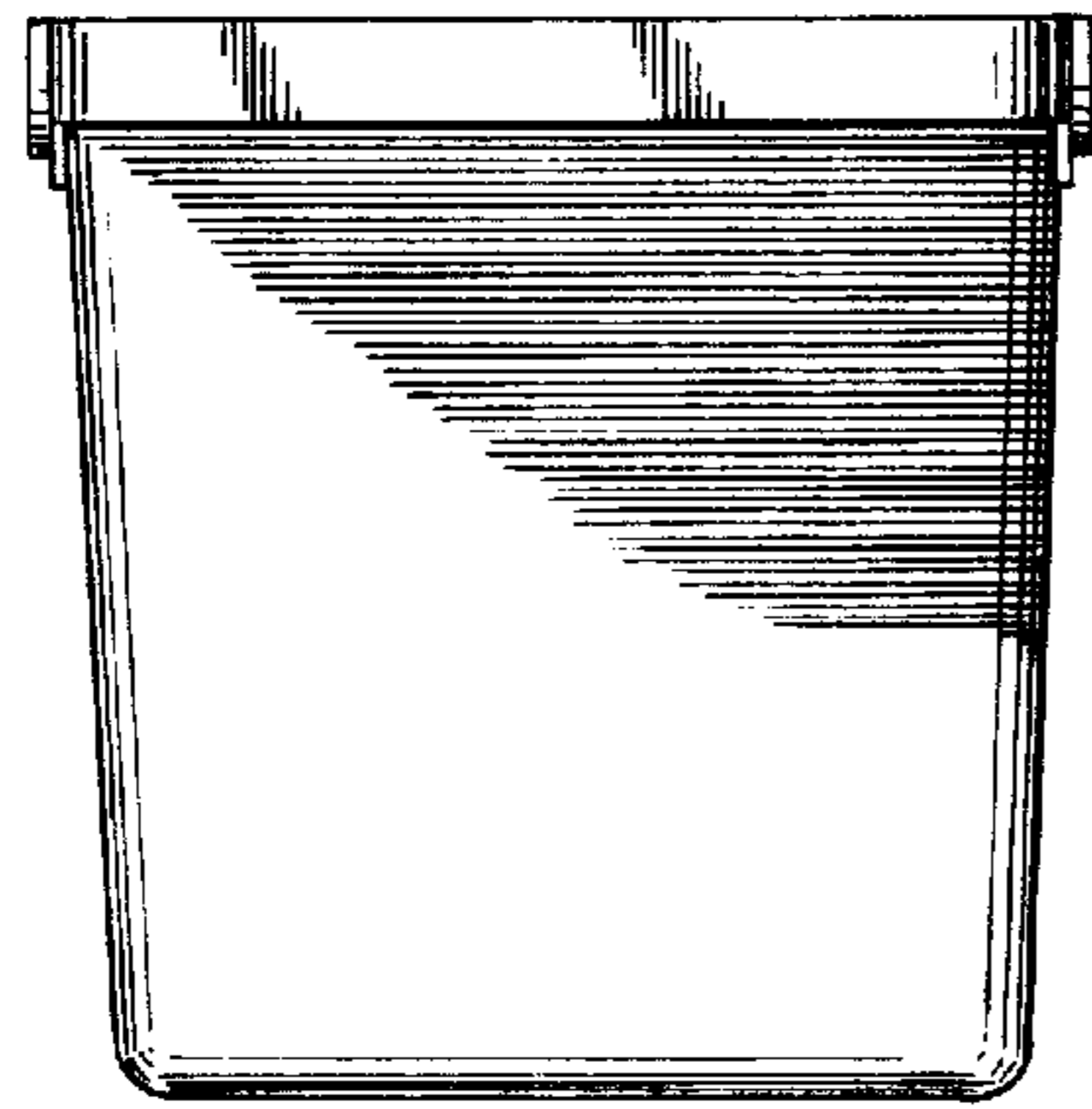
*Fig. 1*



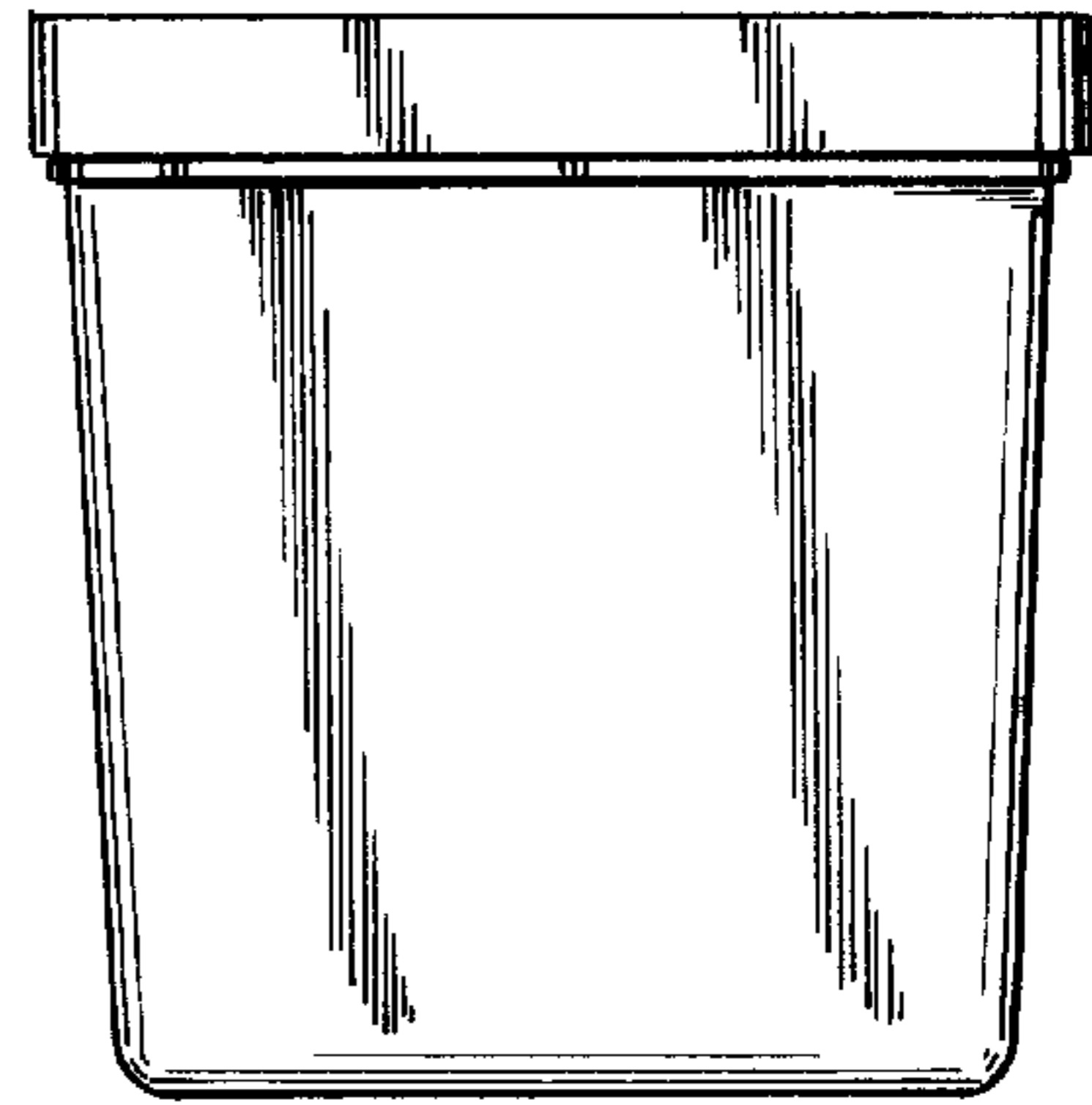
*Fig. 2*



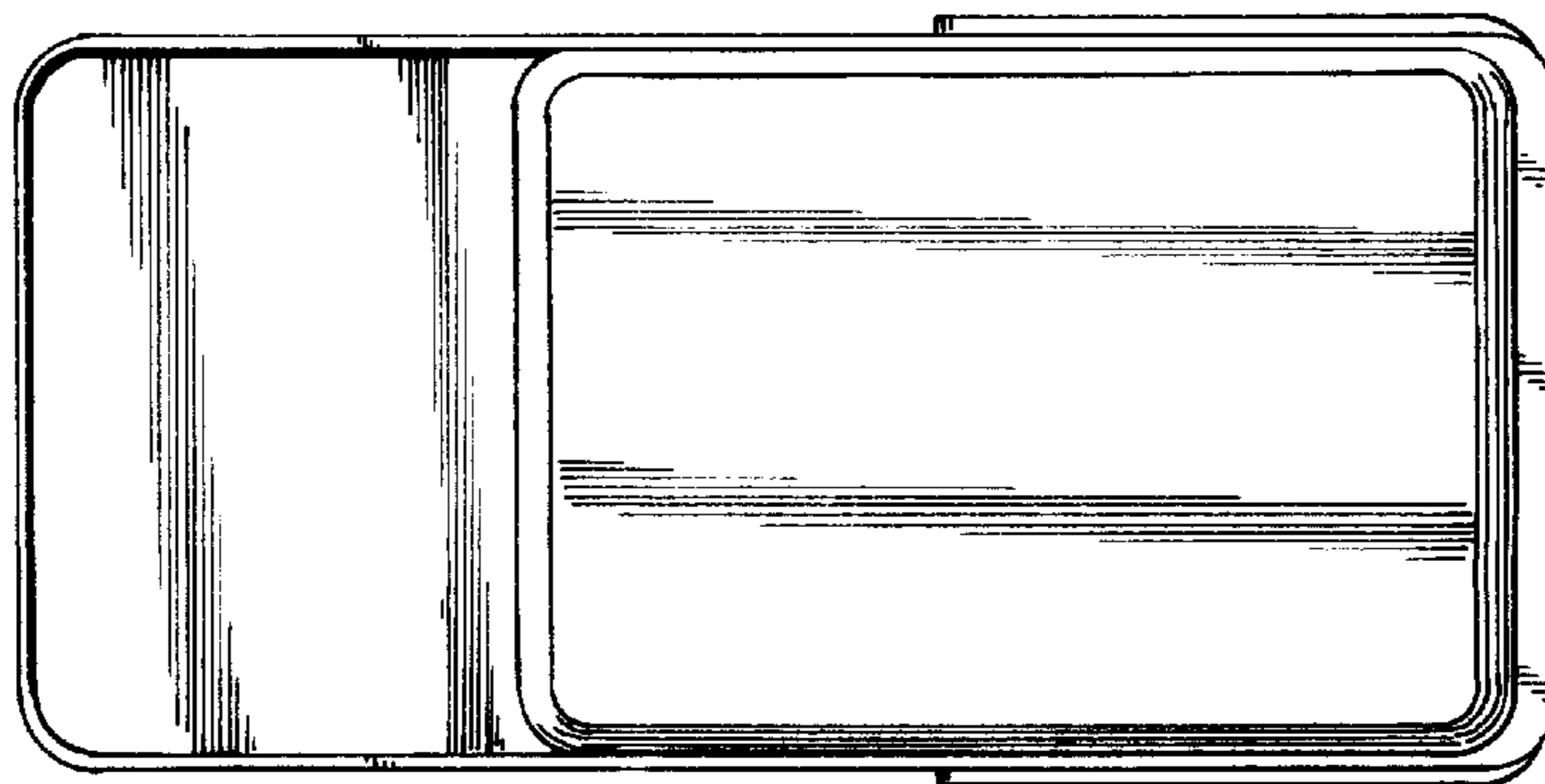
*Fig. 3*



*Fig. 4*



*Fig. 5*



*Fig. 6*