



US00D434720S

United States Patent [19]

Haack et al.

[11] Patent Number: Des. 434,720

[45] Date of Patent: ** Dec. 5, 2000

[54] AUTOMOTIVE CONSOLE

[75] Inventors: **Ernesto R. Haack**, Anaheim; **Eugene M. Tuccinardi**, Temecula, both of Calif.

[73] Assignee: **TMI Products, Inc.**, Corona, Calif.

[**] Term: **14 Years**

[21] Appl. No.: **29/110,036**

[22] Filed: **Aug. 27, 1999**

[51] LOC (7) Cl. **12-16**

[52] U.S. Cl. **D12/419**

[58] Field of Search D12/400, 415, D12/416, 419, 421-426; 296/37.1, 37.6, 37.8-37.16; 224/42.11, 926, 539, 327, 275, 276, 540-542, 400; 108/44-45; 180/90; D7/619-622, 701, 707-708

[56] References Cited

U.S. PATENT DOCUMENTS

D. 201,795	8/1965	Nimetz et al.	D12/419
D. 216,780	3/1970	Tronville et al.	D12/419
D. 271,541	11/1983	Rockwell	D12/419
D. 323,313	1/1992	Li	D12/419
D. 328,973	9/1992	Mankey	D12/419
D. 346,066	4/1994	Smith	D12/416

D. 359,266	6/1995	Karp et al.	D12/419
D. 362,837	10/1995	Mankey et al.	D12/419
D. 375,931	11/1996	Ferrigan	D12/419
D. 390,186	2/1998	Smith	D12/419
D. 397,083	8/1998	Smith	D12/419

OTHER PUBLICATIONS

“Rocky Mountain Motorworks” Catalog, 1999, p. 37.

Primary Examiner—Stacia Cadmus

Attorney, Agent, or Firm—Price Gess & Ubell

[57] CLAIM

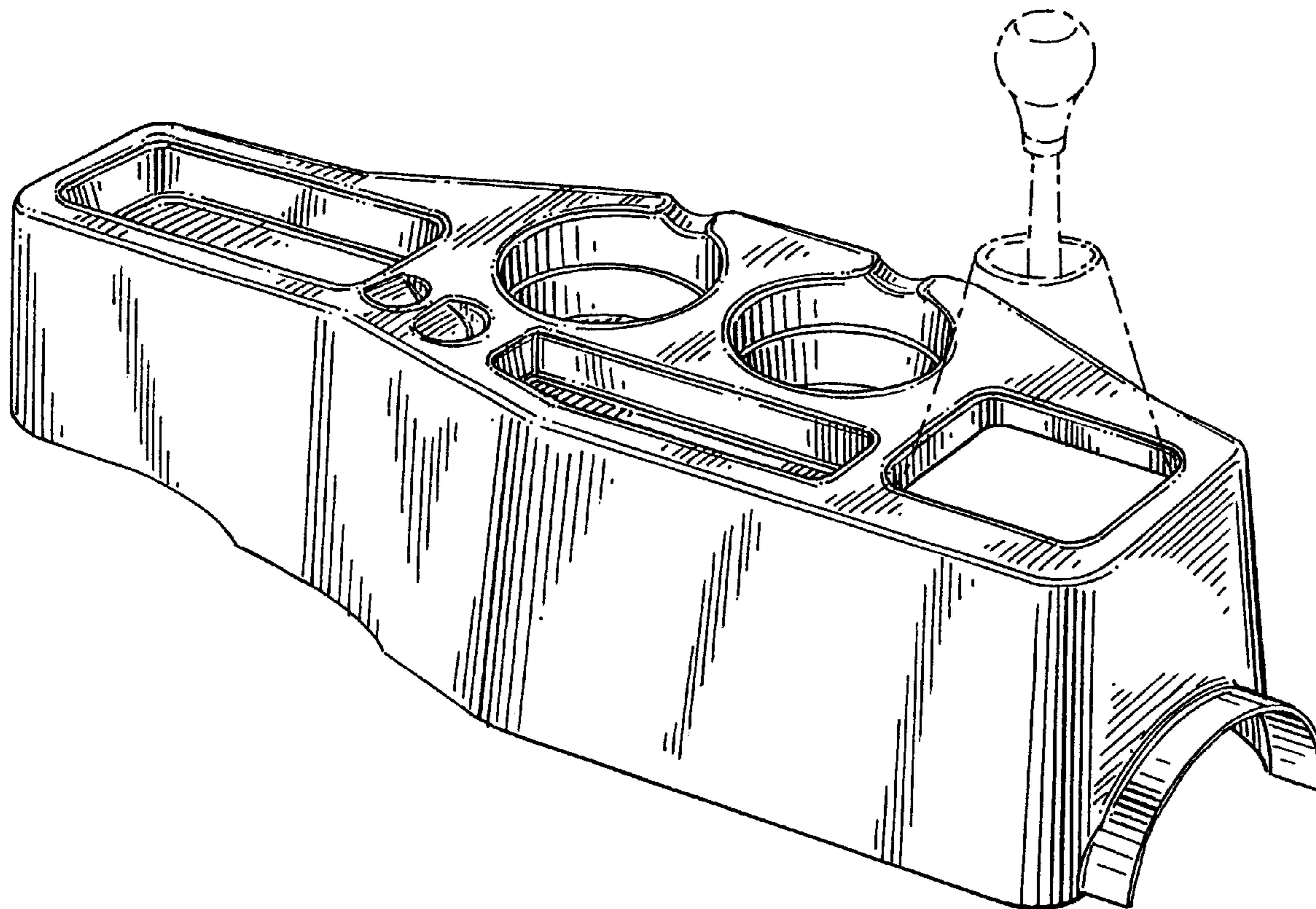
The ornamental design for an automotive console, as shown and described.

DESCRIPTION

FIG. 1 is a perspective view of the automotive console showing the new design;
 FIG. 2 is a top plan view of FIG. 1;
 FIG. 3 is a left side elevational view of FIG. 1;
 FIG. 4 is a right side elevational view of FIG. 1;
 FIG. 5 is a bottom plan view of FIG. 1;
 FIG. 6 is a front elevational view of FIG. 1; and,
 FIG. 7 is a rear elevational view of FIG. 1.

The broken line showing of environment is for illustrative purposes only and forms no part of the claimed design.

1 Claim, 2 Drawing Sheets



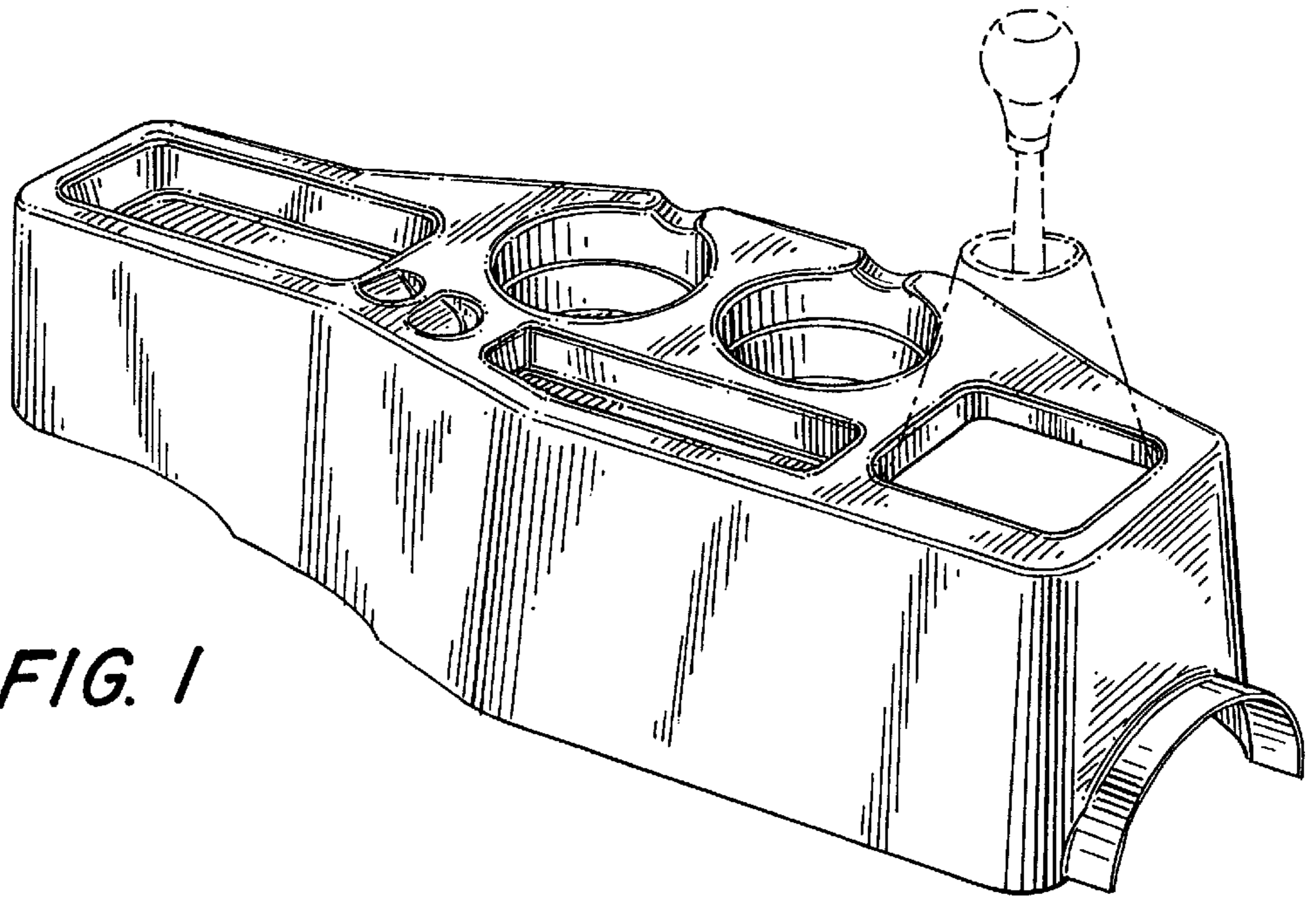


FIG. 1

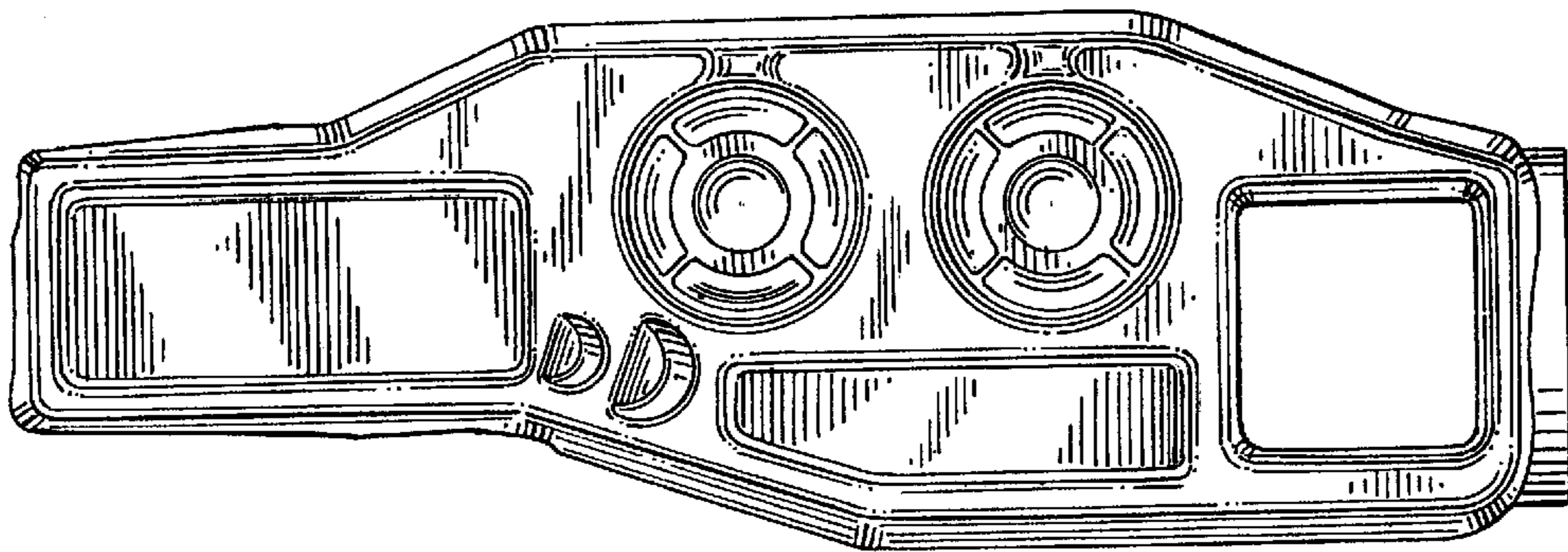


FIG. 2

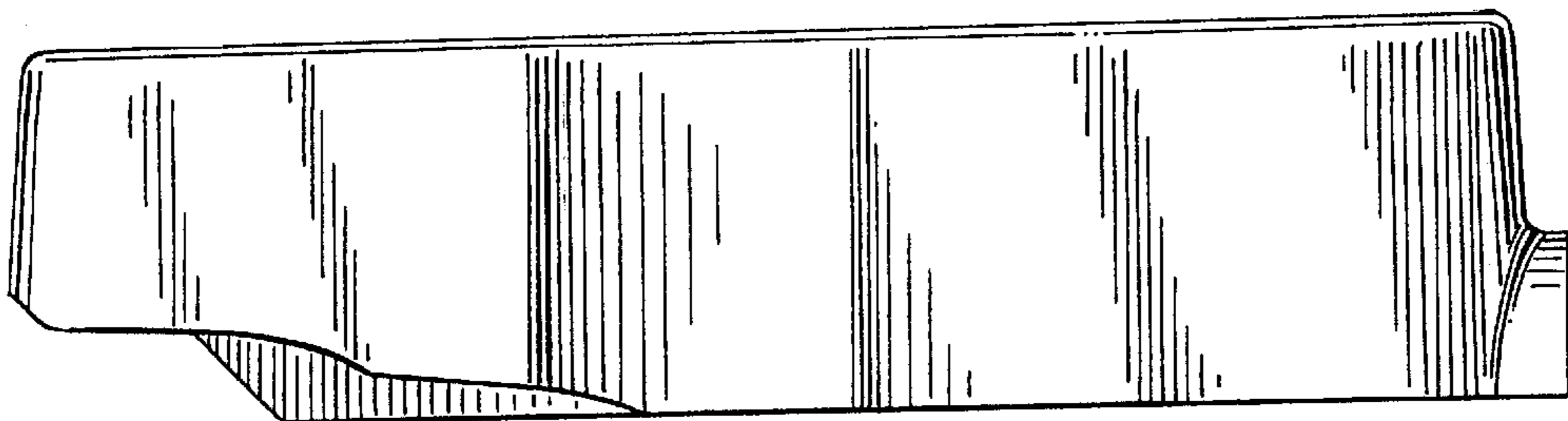


FIG. 3

FIG. 4

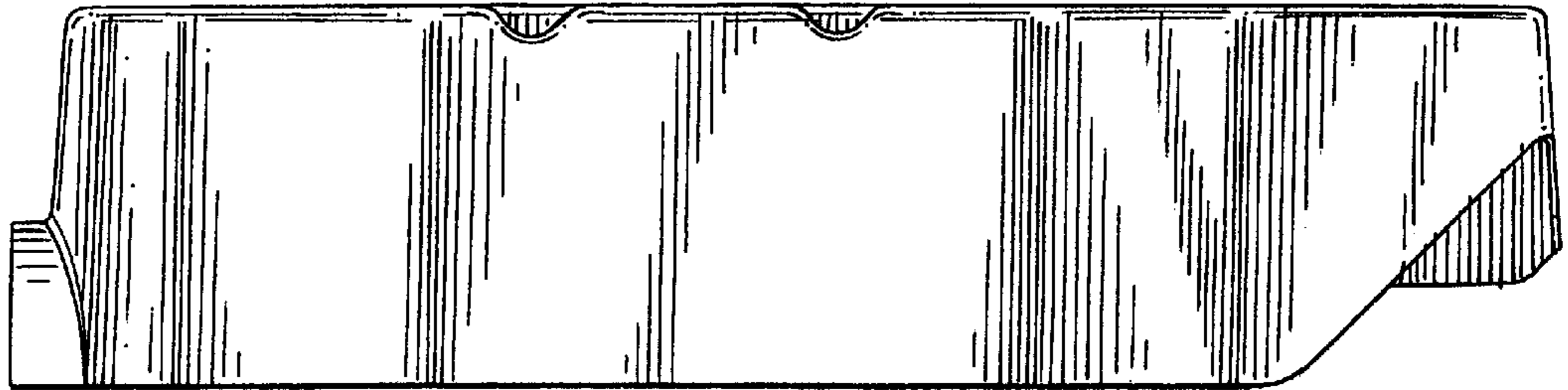


FIG. 5

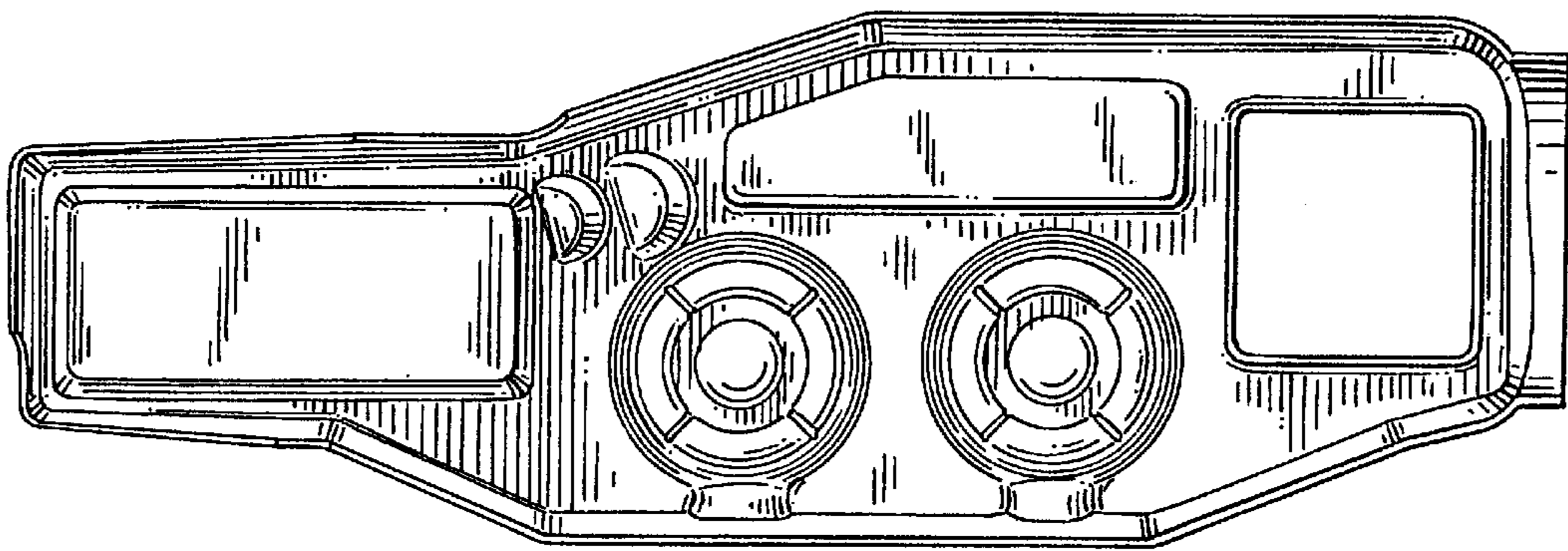


FIG. 6

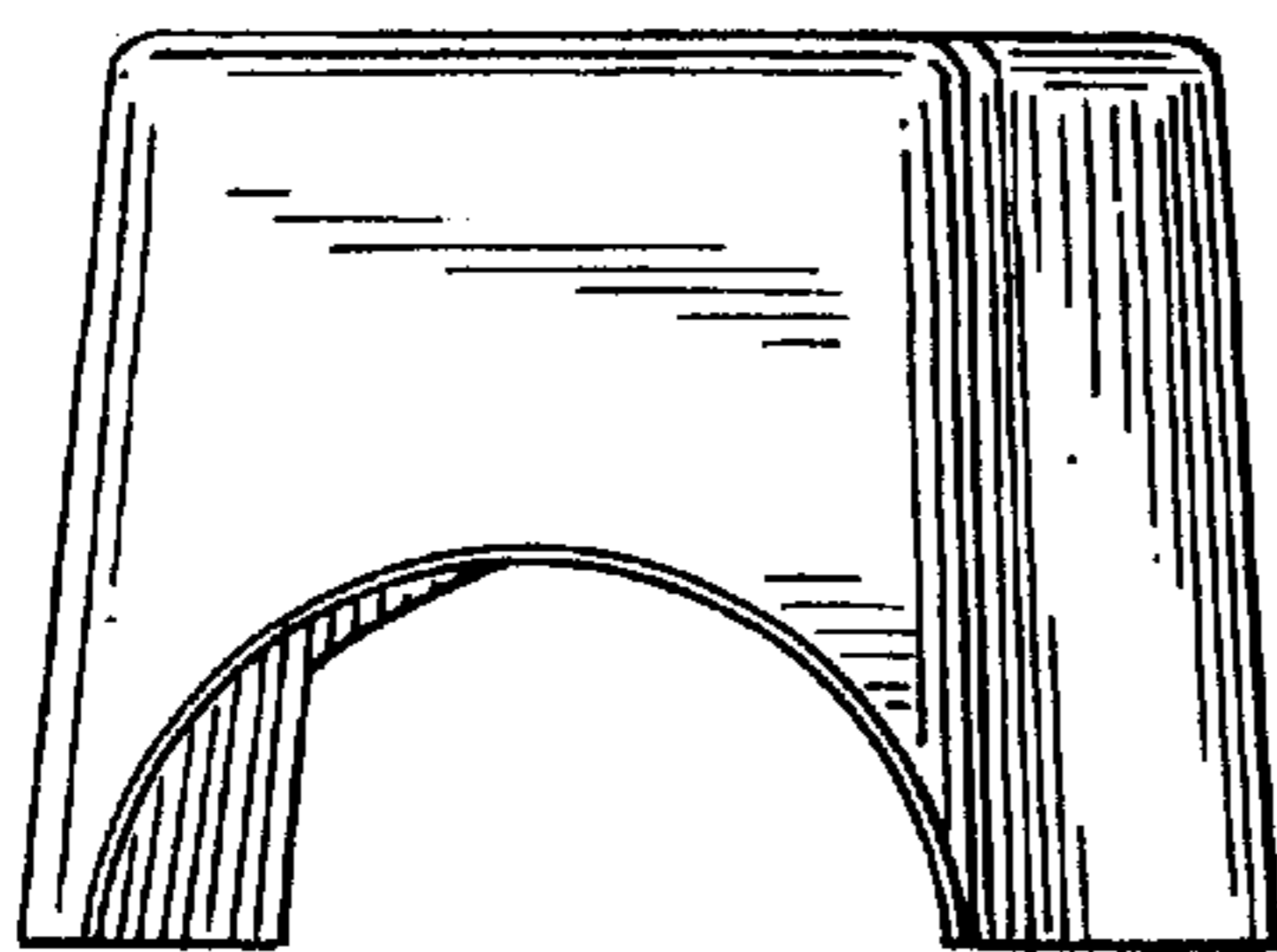


FIG. 7

