



US00D434719S

United States Patent [19]

McCoy et al.

[11] Patent Number: **Des. 434,719**

[45] Date of Patent: **** Dec. 5, 2000**

[54] **LUGGAGE AND CARGO CONTAINER BODY**

[75] Inventors: **Richard W. McCoy, Granger; George Otto Snook; Thomas W. Lindenman,** both of South Bend, all of Ind.

[73] Assignee: **Reese Products, Inc.,** Elkhart, Ind.

[**] Term: **14 Years**

[21] Appl. No.: **29/113,191**

[22] Filed: **Oct. 30, 1999**

[51] **LOC (7) Cl.** **12-16**

[52] **U.S. Cl.** **D12/413**

[58] **Field of Search** D12/400, 401, D12/404, 406, 412, 413, 414.1; 296/99.1, 37.7, 37.1, 106; 224/309, 310, 314, 320-323, 917; D3/273; 206/315.1-315.4

[56] **References Cited**

U.S. PATENT DOCUMENTS

D. 192,499	4/1962	Brown et al.	D12/413
D. 232,351	8/1974	Nozaki et al.	D12/413
D. 243,392	2/1977	Fairthorne	D12/413
D. 279,972	8/1985	Marovich	D12/406
D. 297,629	9/1988	Breger	D12/413

D. 297,631	9/1988	Breger	D12/413
D. 326,634	6/1992	Seaver	D12/413
D. 373,105	8/1996	Imotani	D12/406
D. 406,558	3/1999	Pendergraph	D12/413
D. 412,881	8/1999	Behringer	D12/413
D. 420,321	2/2000	McCoy et al.	D12/413

Primary Examiner—Stacia Cadmus
Attorney, Agent, or Firm—Leon E. Redman; Lloyd D. Doigan

[57] **CLAIM**

The ornamental design for a luggage and cargo container body, as shown and described.

DESCRIPTION

FIG. 1 is a perspective view of the luggage and cargo container body showing our new design; FIG. 2 is a top plan view thereof; FIG. 3 is a rear elevational view thereof; FIG. 4 is a bottom plan view thereof; FIG. 5 is a left side elevational view thereof, the right side being a mirror image of the left shown; FIG. 6 is a front elevational view thereof; and, FIG. 7 is a reduced perspective view of the luggage and cargo container body with the lid in a raised position.

1 Claim, 4 Drawing Sheets

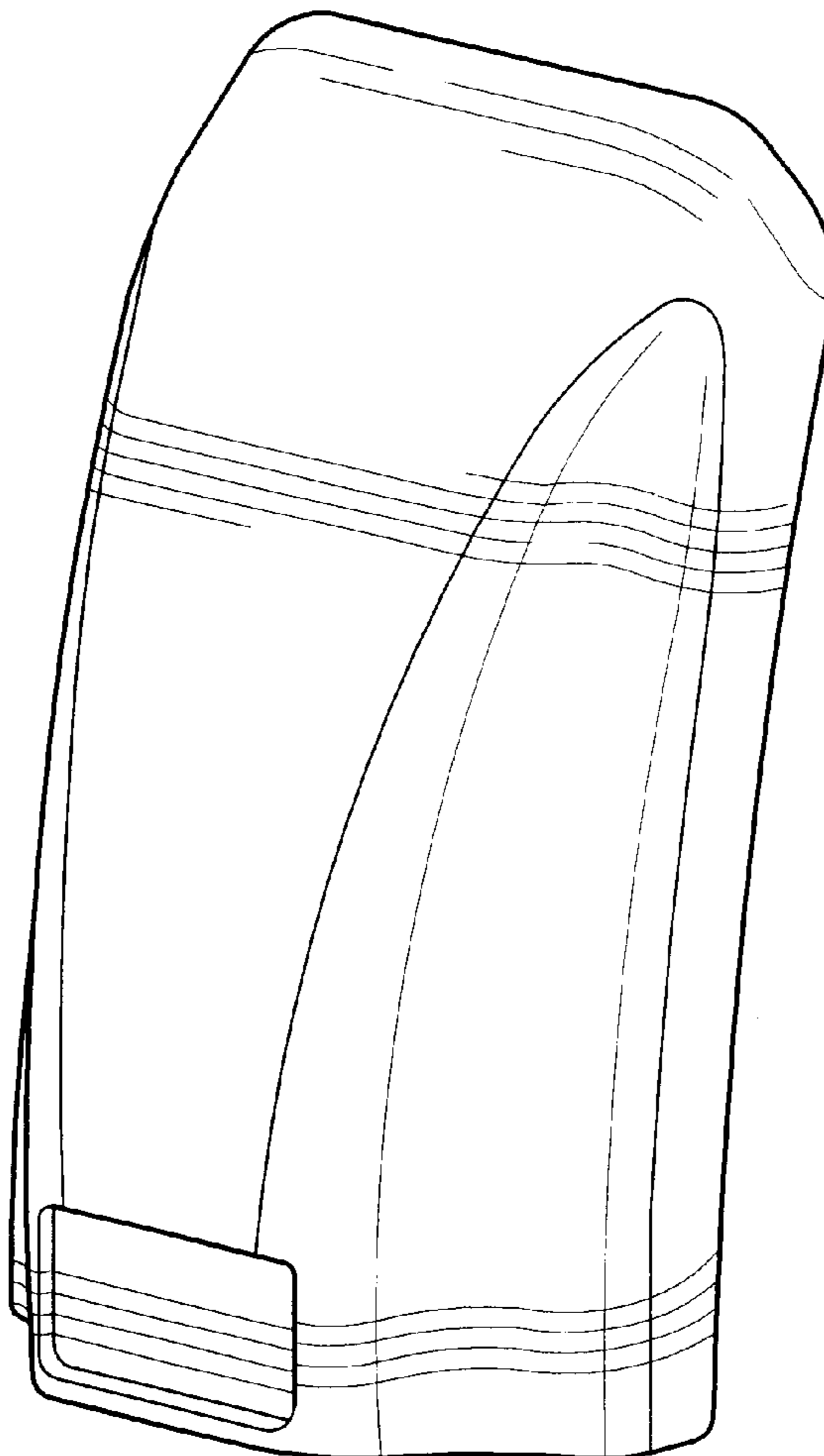


Fig-1

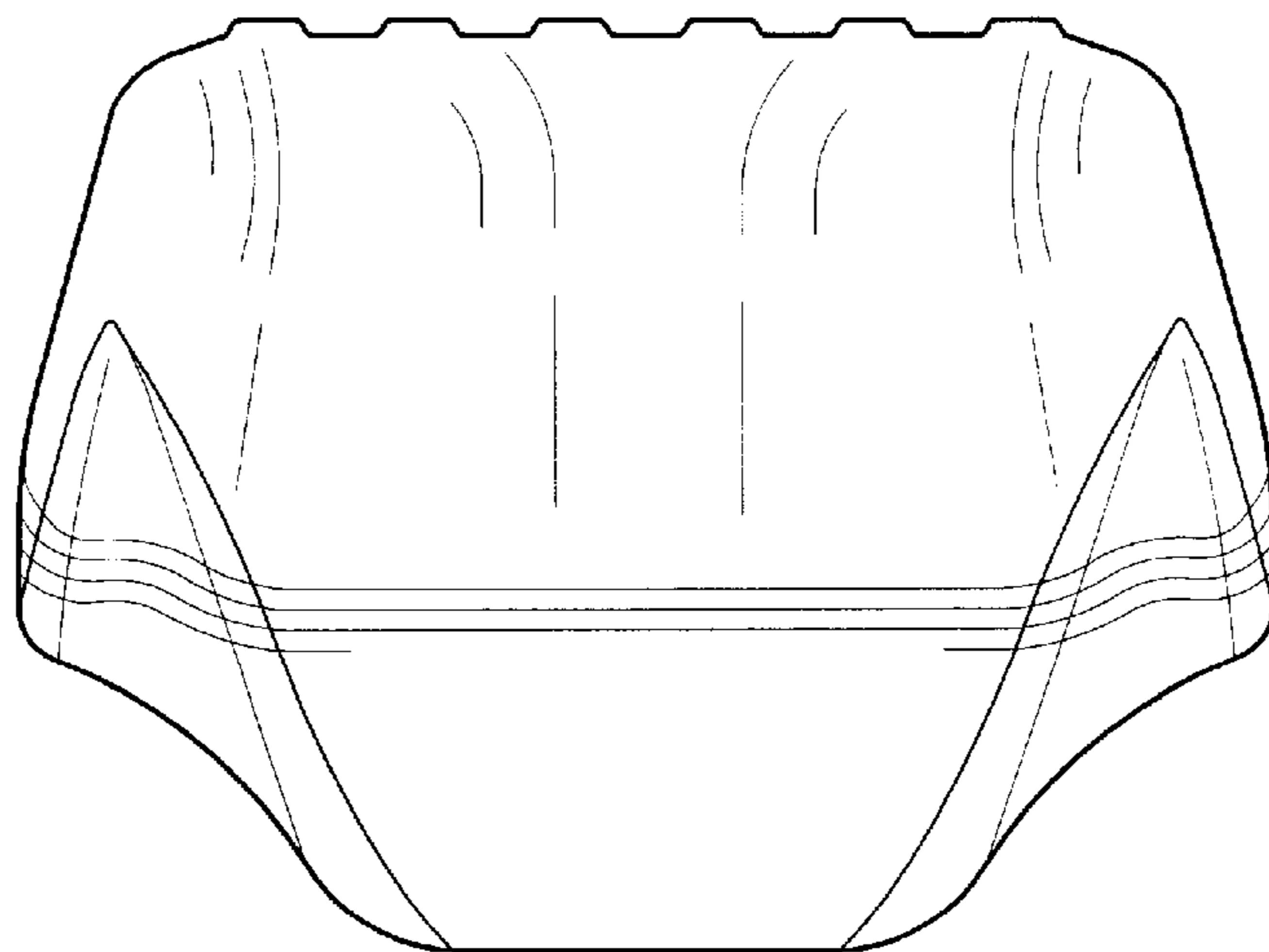
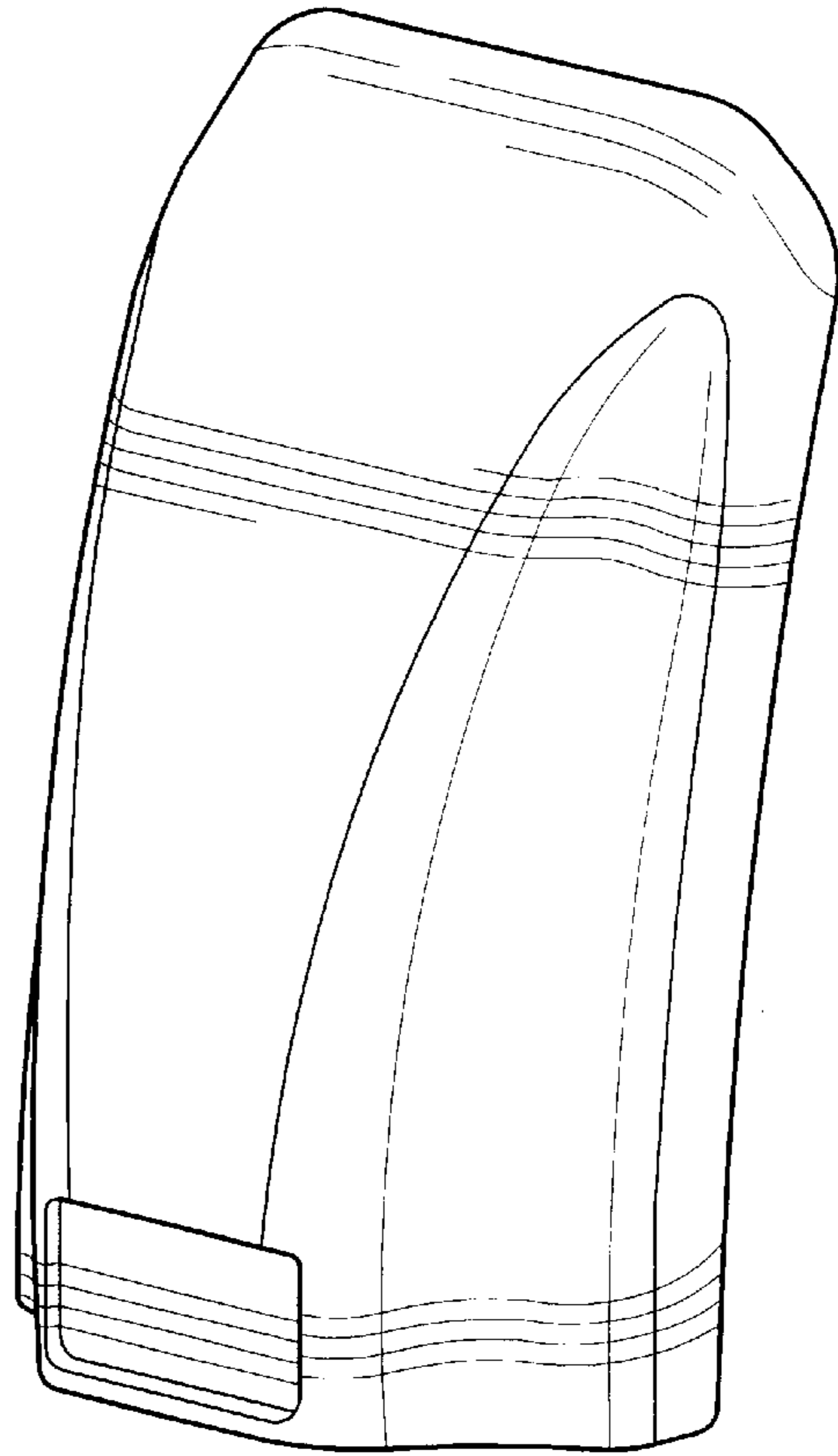


Fig-2

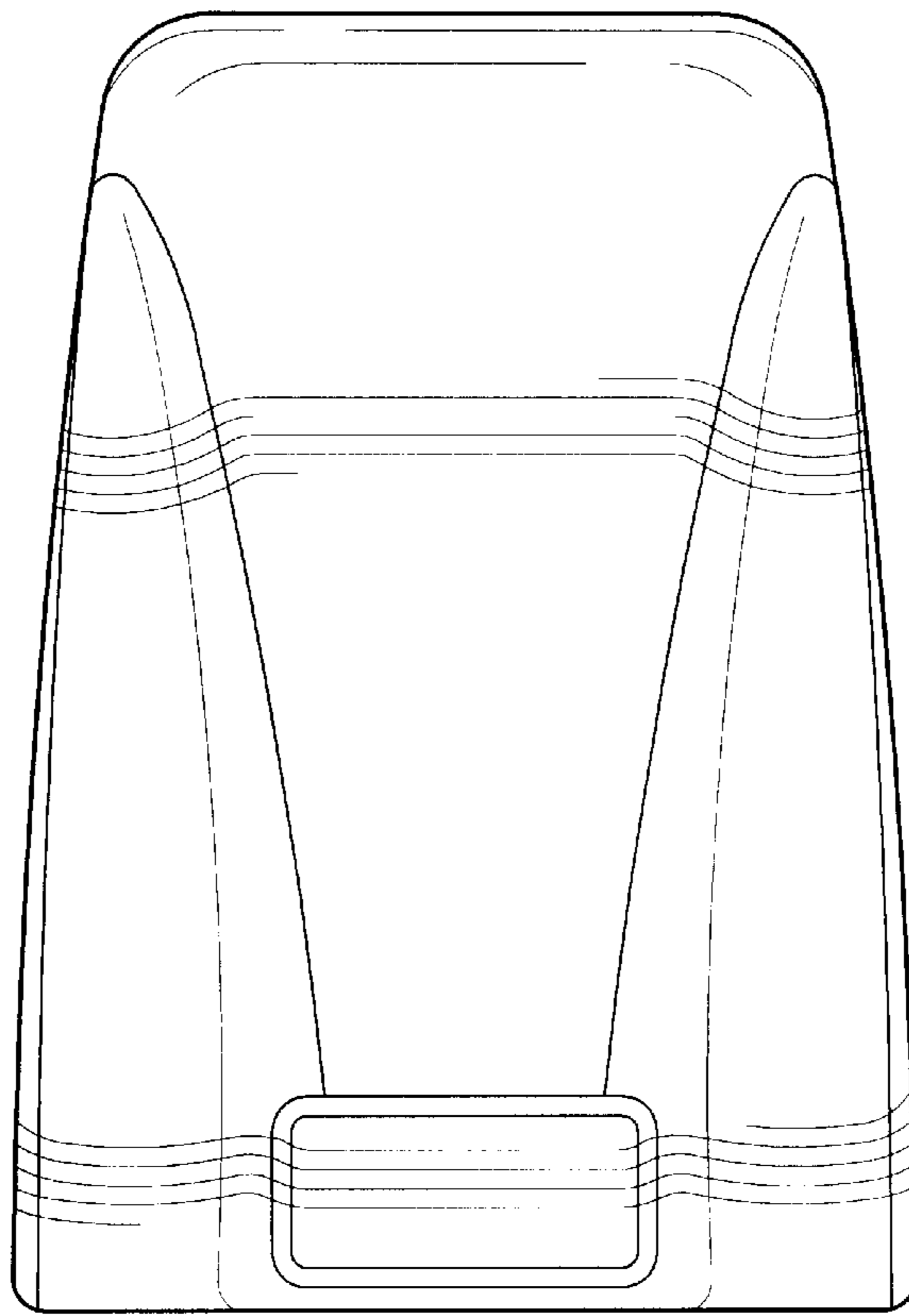


Fig-3

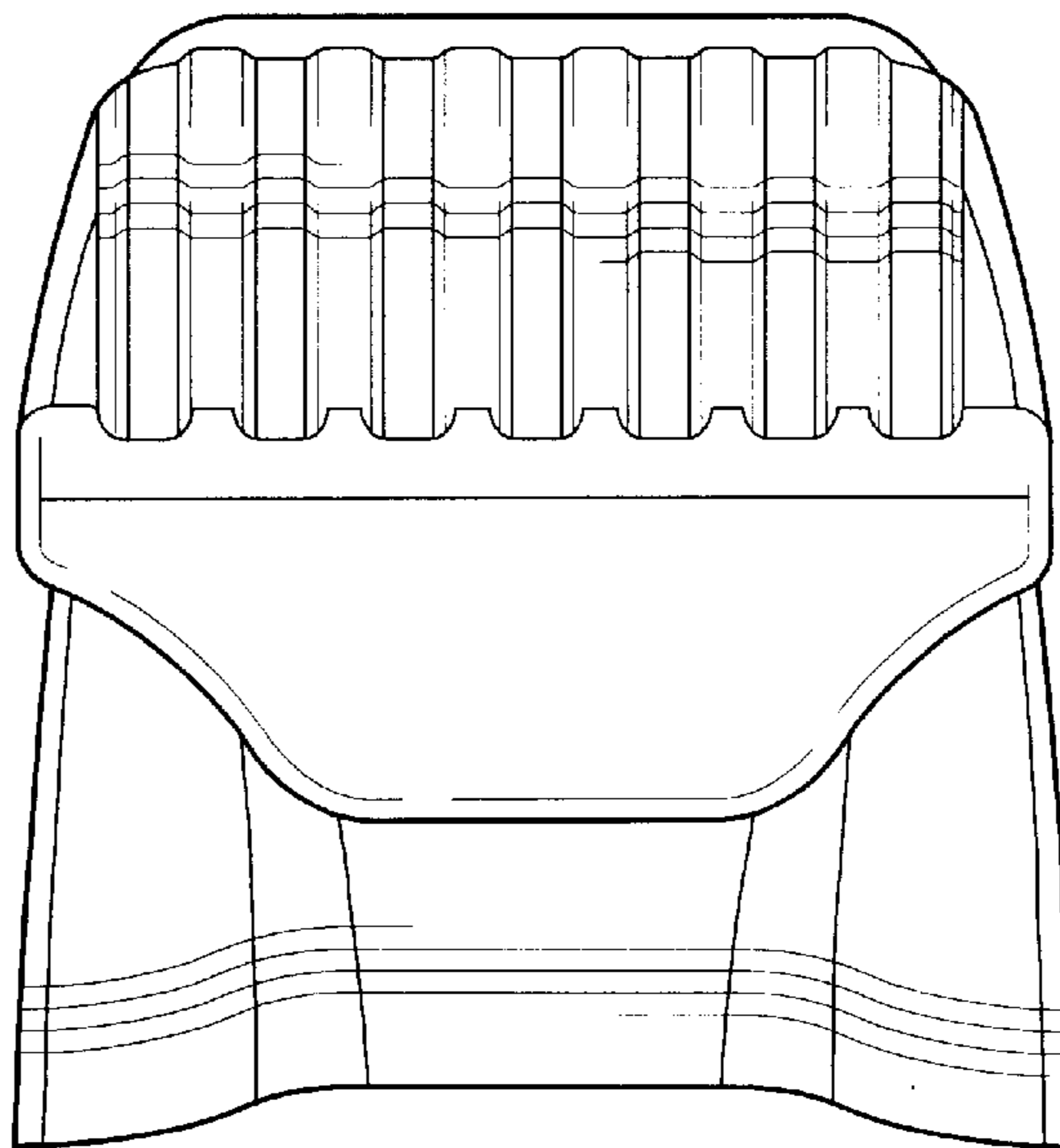


Fig-4

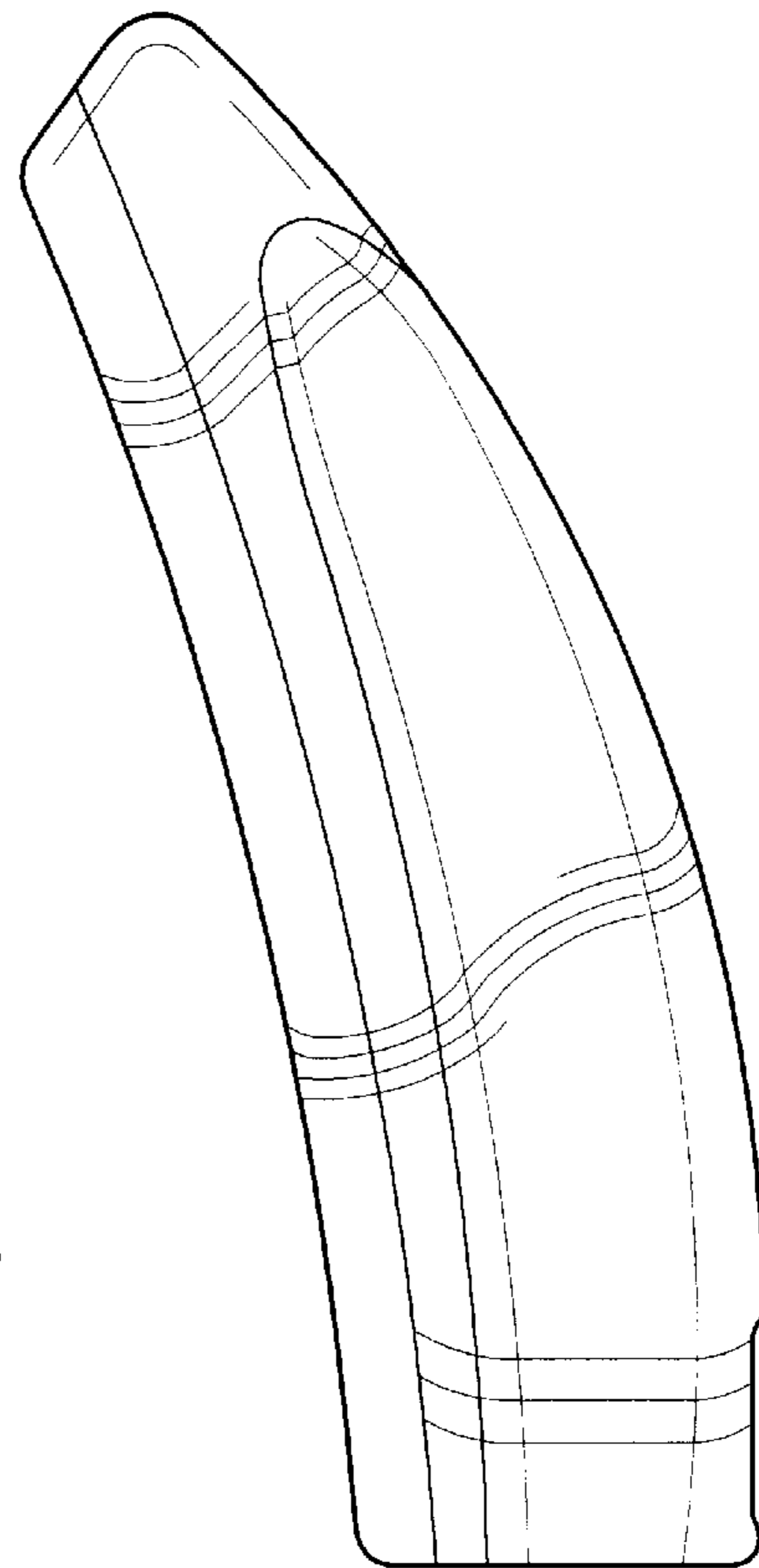


Fig-5

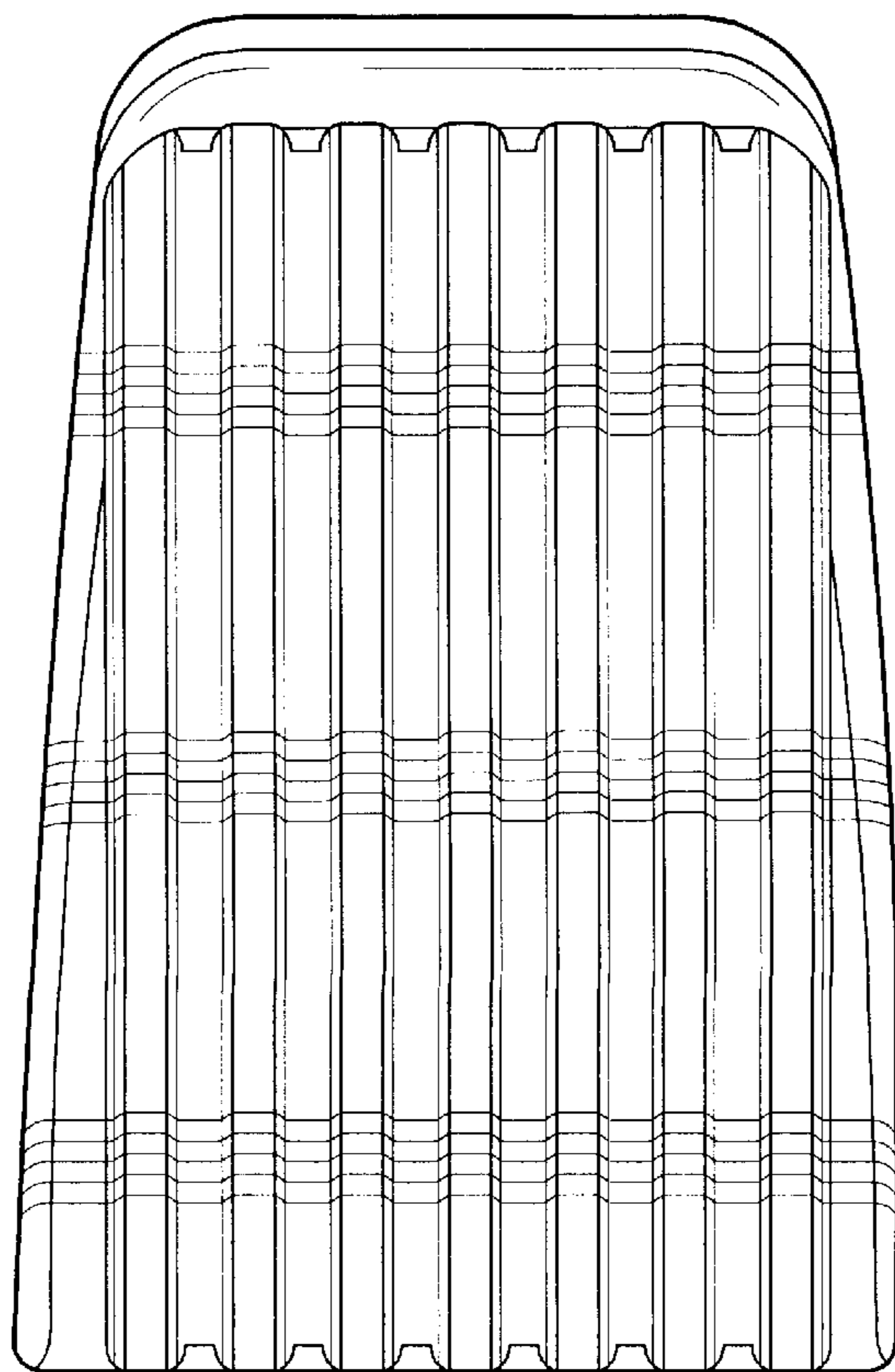


Fig-6

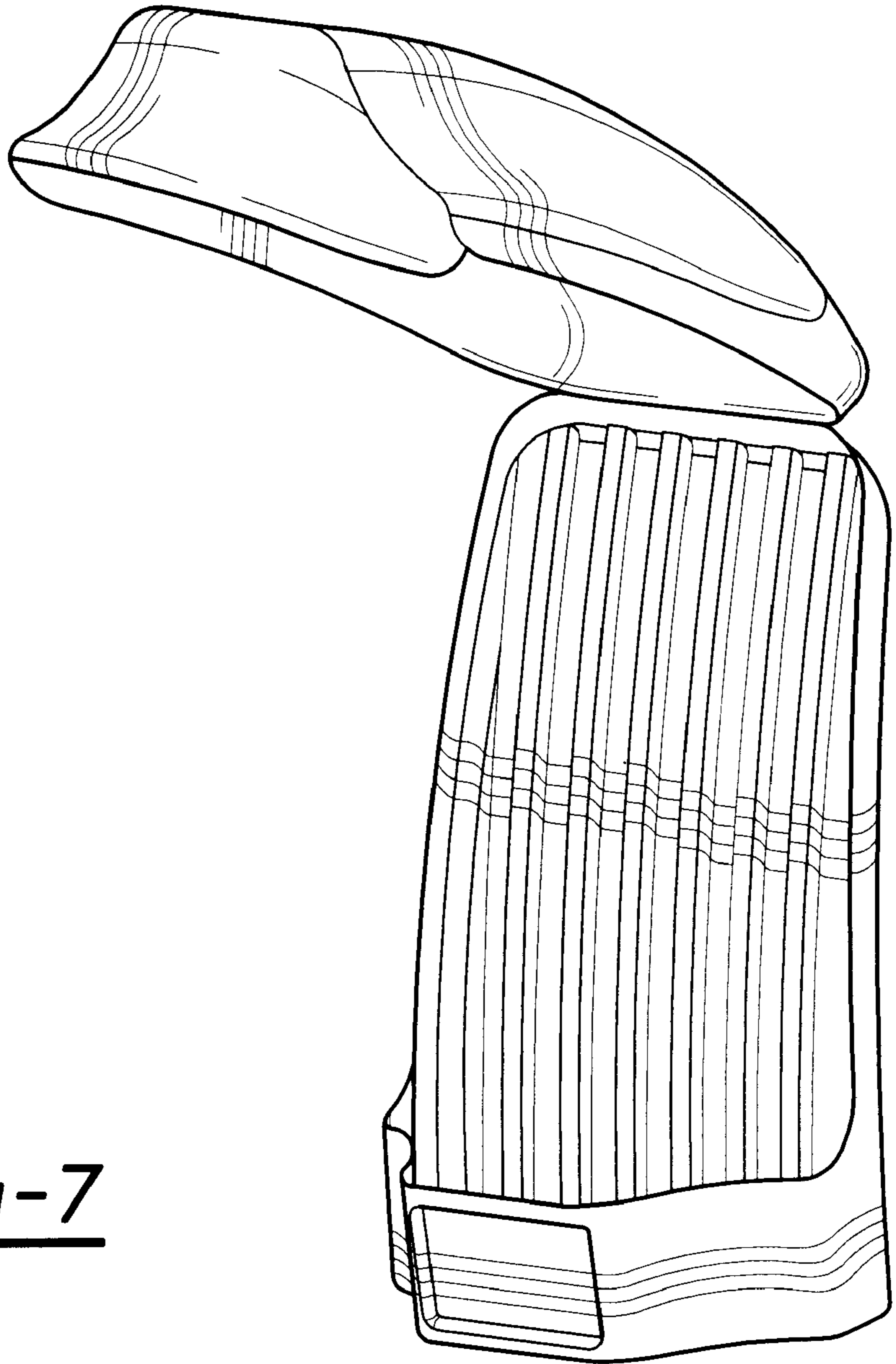


Fig-7