



US00D434713S

United States Patent [19]
Noriega

[11] **Patent Number: Des. 434,713**

[45] **Date of Patent: ** Dec. 5, 2000**

[54] **WHEEL SPINNER**

[75] Inventor: **Frank T. Noriega**, Pico Rivera, Calif.

[73] Assignee: **Autolace, Inc.**, Alhambra, Calif.

[**] Term: **14 Years**

[21] Appl. No.: **29/120,679**

[22] Filed: **Mar. 24, 2000**

[51] **LOC (7) Cl.** **12-16**

[52] **U.S. Cl.** **D12/213**

[58] **Field of Search** D12/213, 400;
301/37.1-37.6, 37.42, 108.1, 108.5

[56] **References Cited**

U.S. PATENT DOCUMENTS

D. 378,999	4/1997	Thomas	D12/213
D. 380,185	6/1997	Miansian	D12/213
D. 397,665	9/1998	Noriega	D12/213
D. 399,475	10/1998	Noriega	D12/213
D. 424,502	5/2000	Noriega	D12/213

Primary Examiner—Stacia Cadmus
Attorney, Agent, or Firm—Philip K. Yu

[57] **CLAIM**

The ornamental design for a wheel spinner, as shown and described.

DESCRIPTION

FIG. 1 is a front perspective view of a first embodiment of a wheel spinner showing my new design, with two wings and a flat top;

FIG. 2 is a top plan view thereof;

FIG. 3 is a side elevational view thereof;

FIG. 4 is a front elevational view thereof;

FIG. 5 is a front perspective view of a second embodiment of a wheel spinner showing my new design, with two wings and a dome top;

FIG. 6 is a top plan view of FIG. 5;

FIG. 7 is a side elevational view of FIG. 5;

FIG. 8 is a front elevational view of FIG. 5;

FIG. 9 is a front perspective view of a third embodiment of a wheel spinner showing my new design, with three wings and a dome top;

FIG. 10 is a top plan view of FIG. 9;

FIG. 11 is a side elevational view of FIG. 9;

FIG. 12 is a front elevational view of FIG. 9;

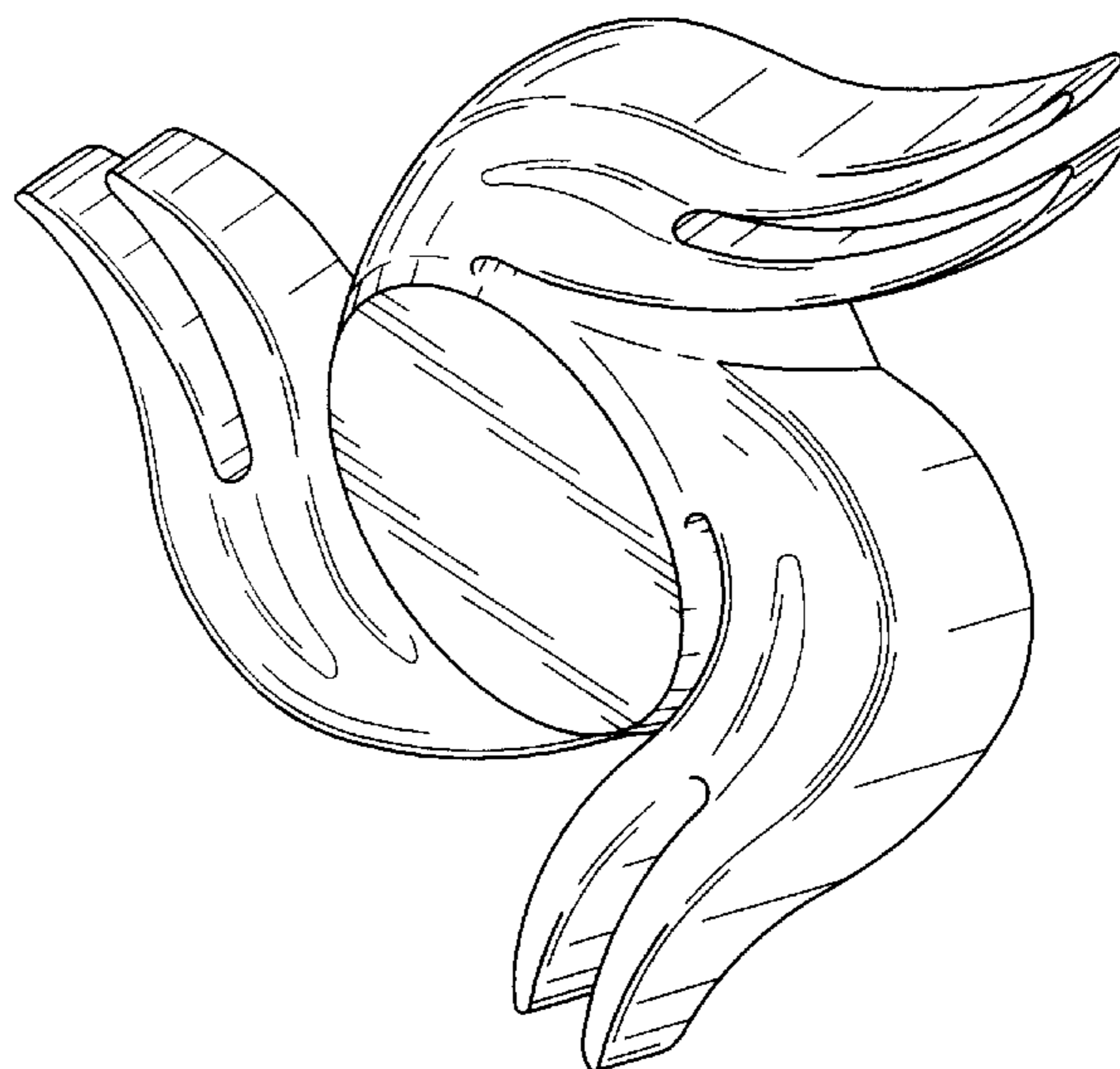
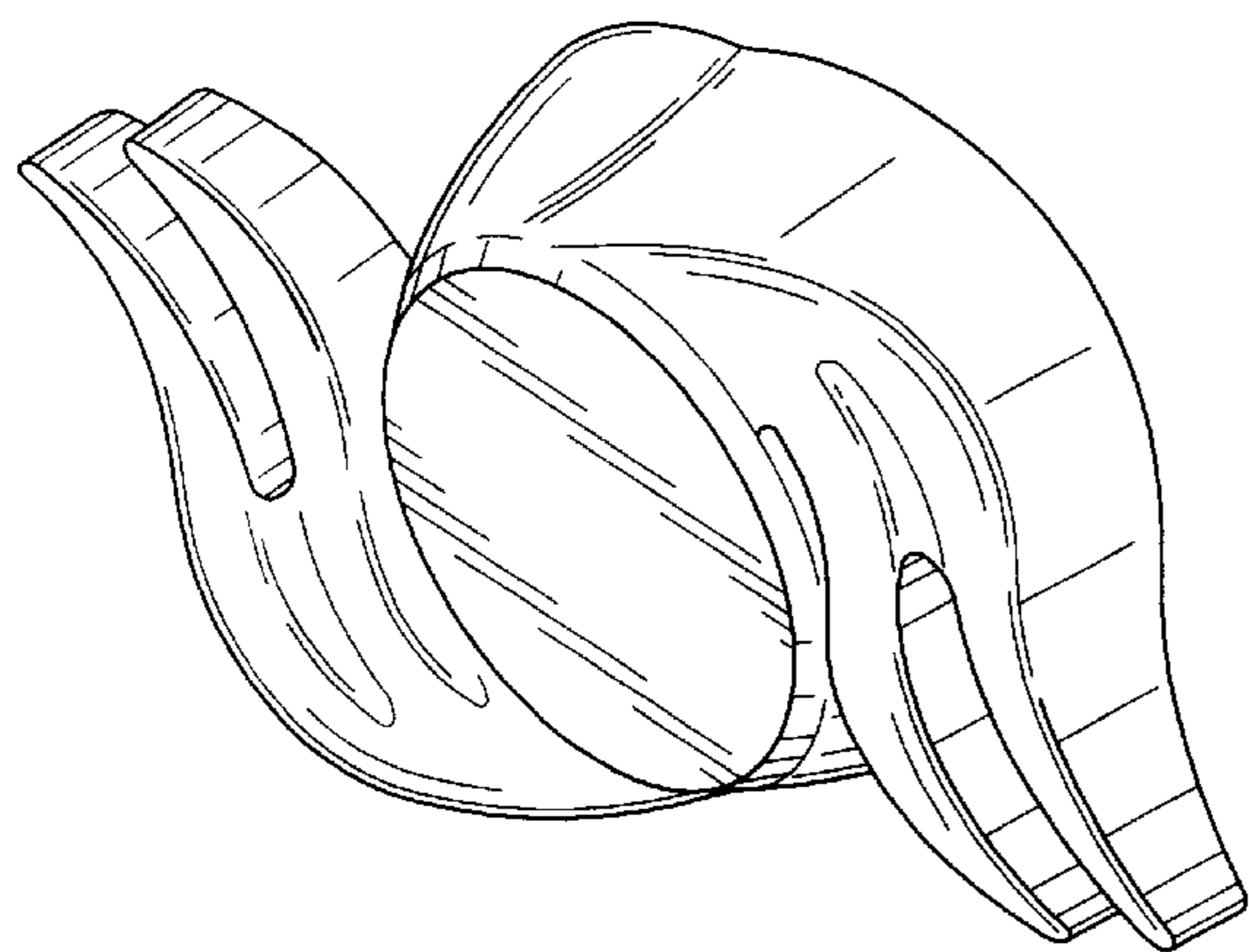
FIG. 13 is a front perspective view of a fourth embodiment of a wheel spinner showing my new design, with three wings and a flat top;

FIG. 14 is a top plan view of FIG. 13;

FIG. 15 is a side elevational view of FIG. 13; and,

FIG. 16 is a front elevational view of FIG. 13.

1 Claim, 4 Drawing Sheets



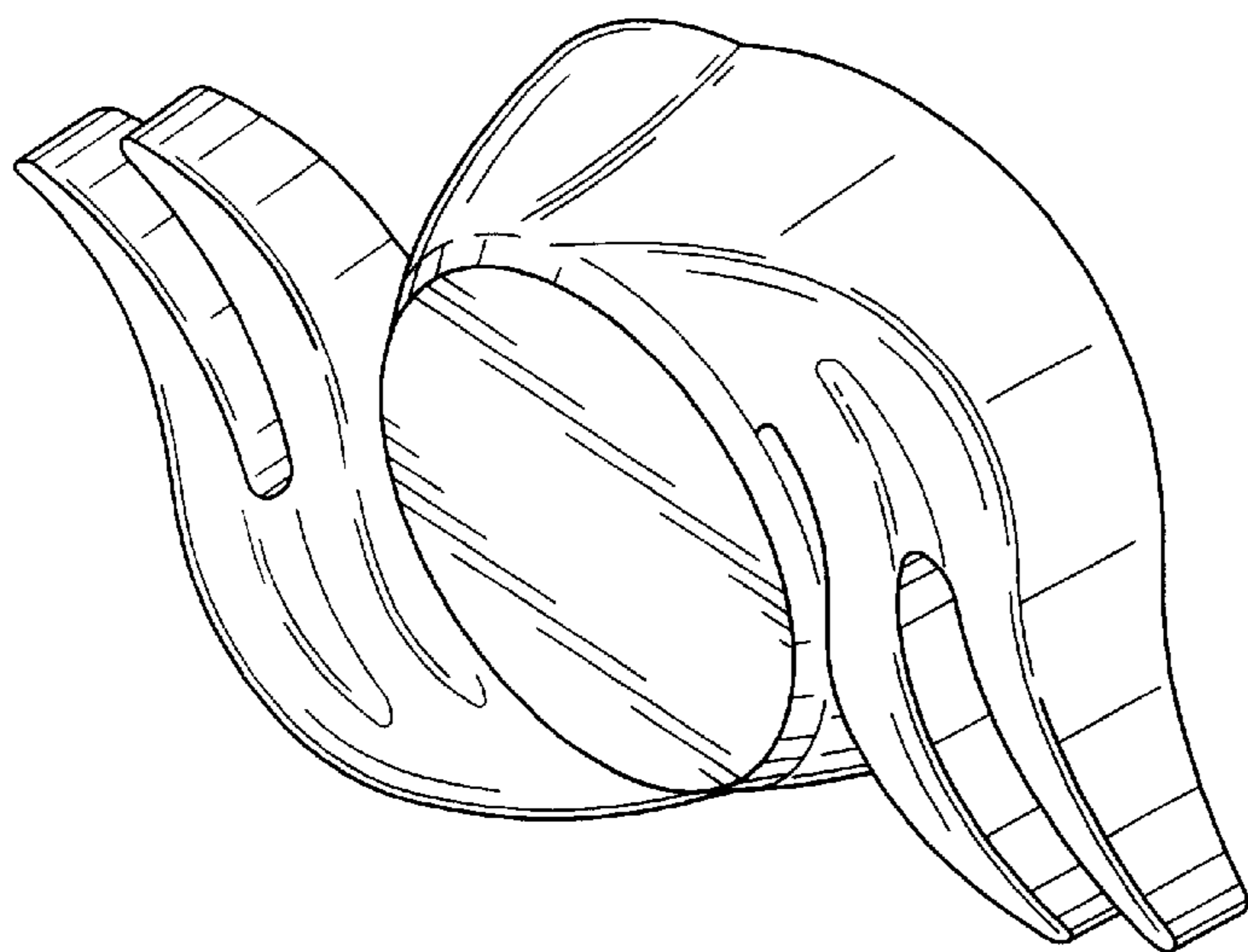


FIG. 1

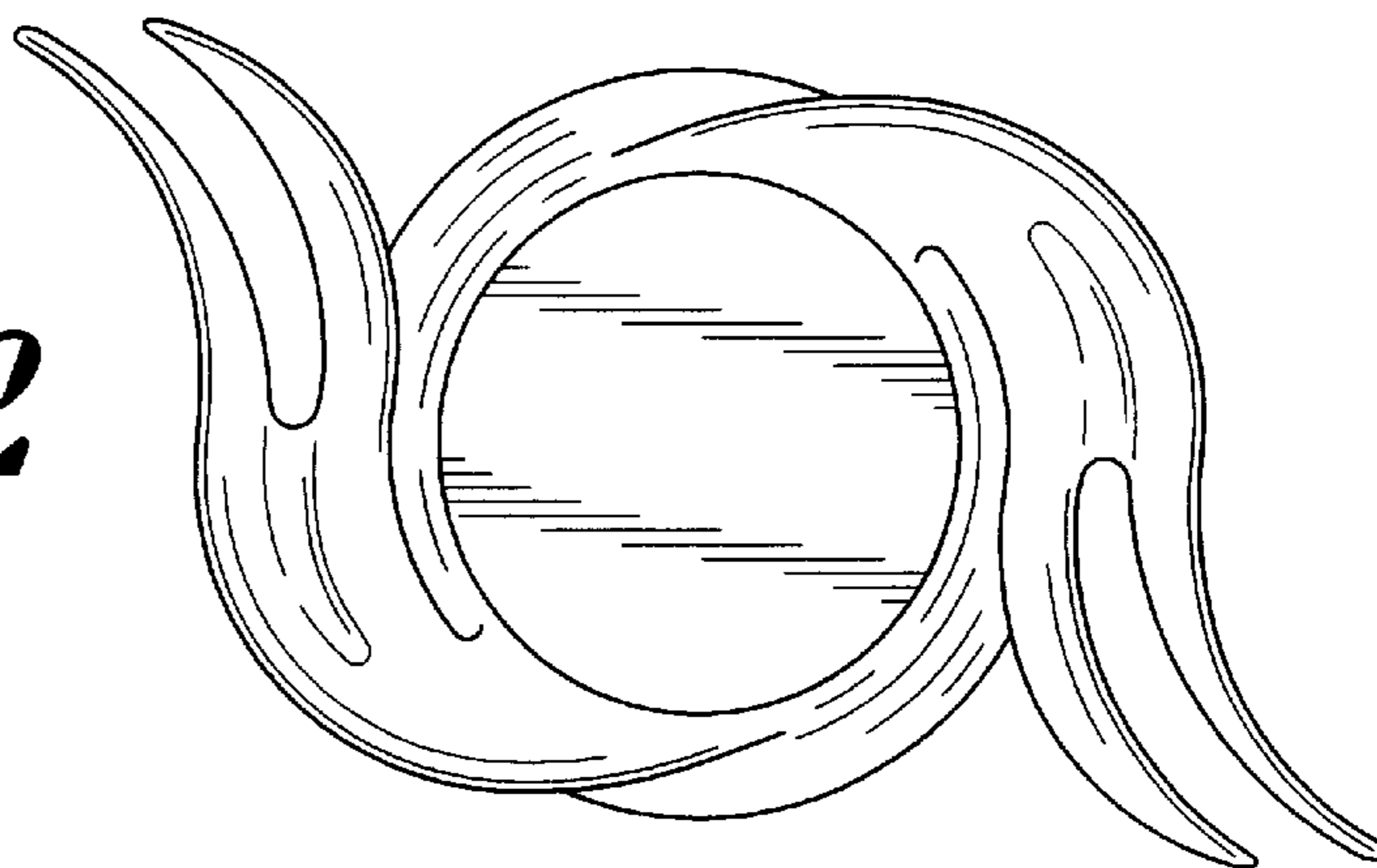


FIG. 2

FIG. 3

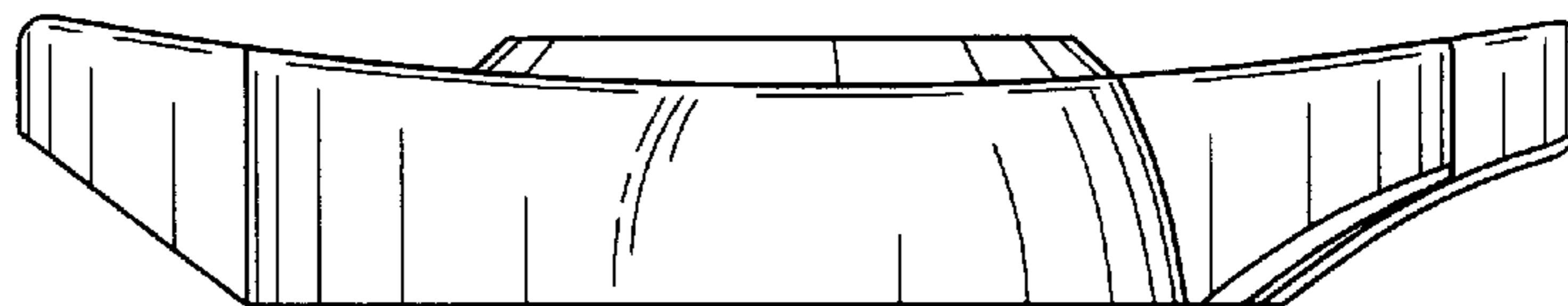
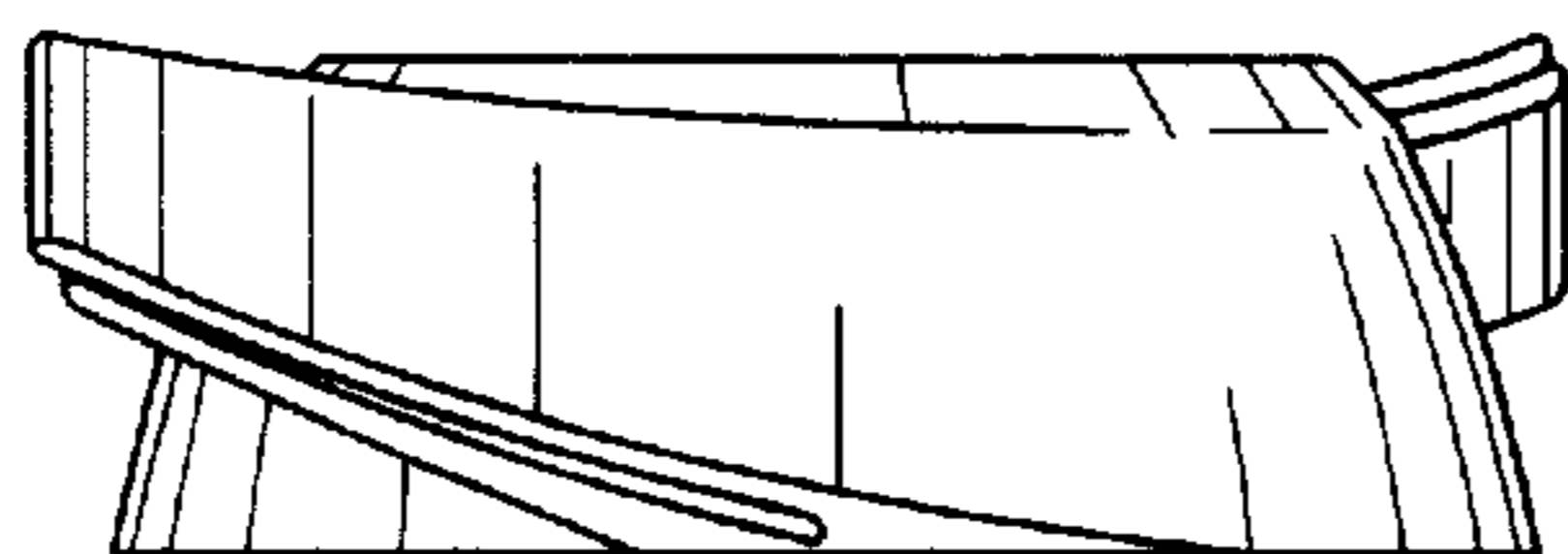


FIG. 4

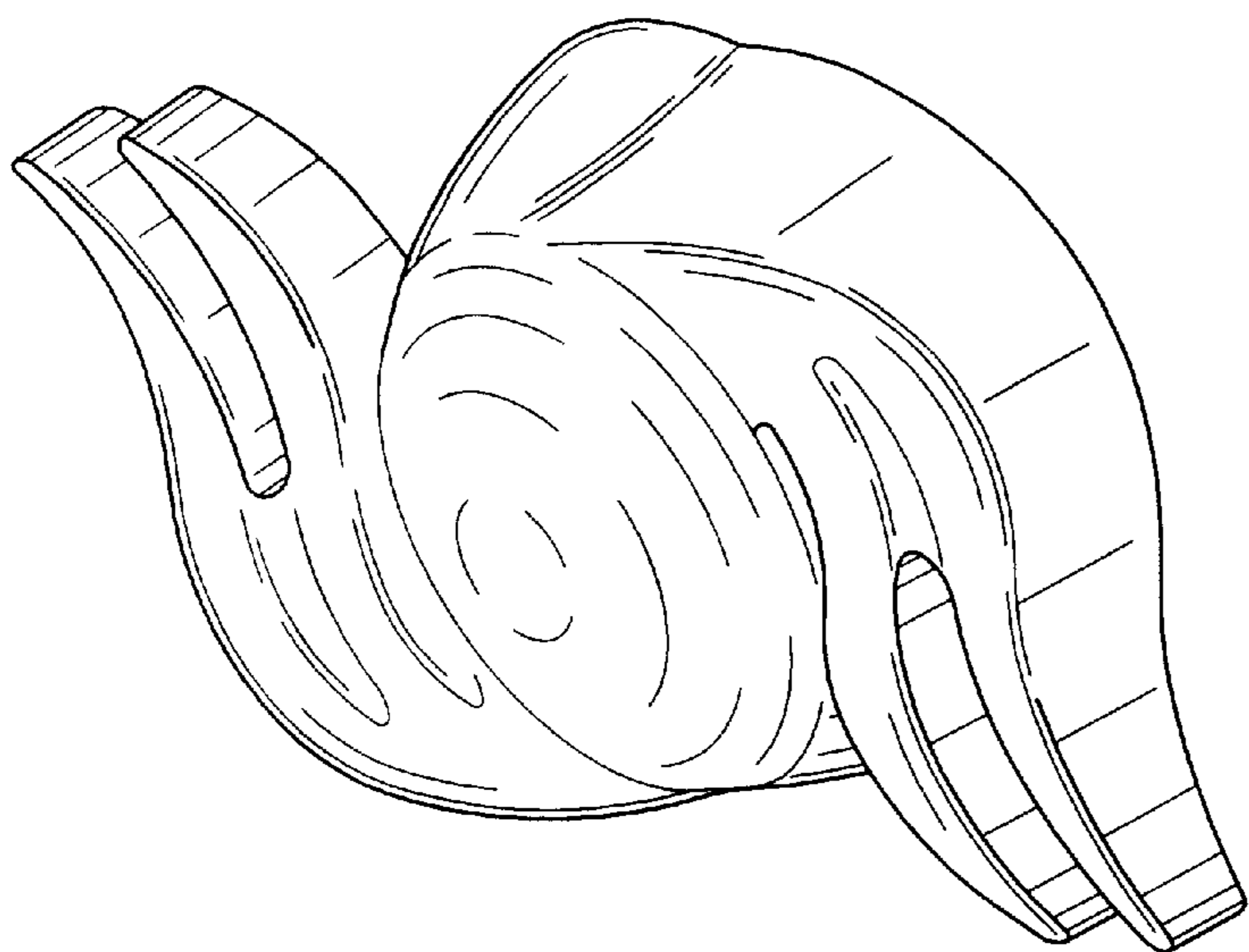


FIG. 5

FIG. 6

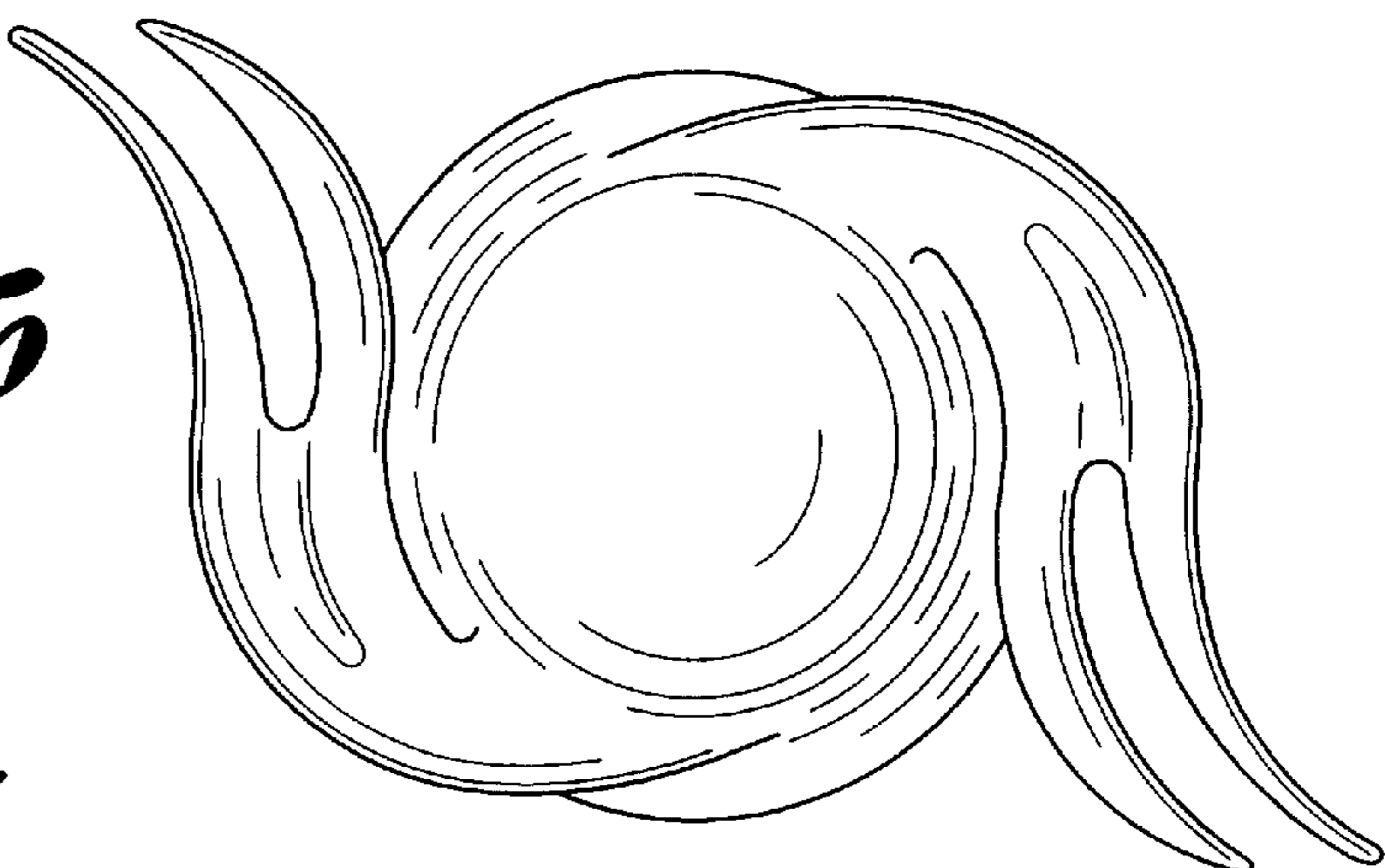


FIG. 7

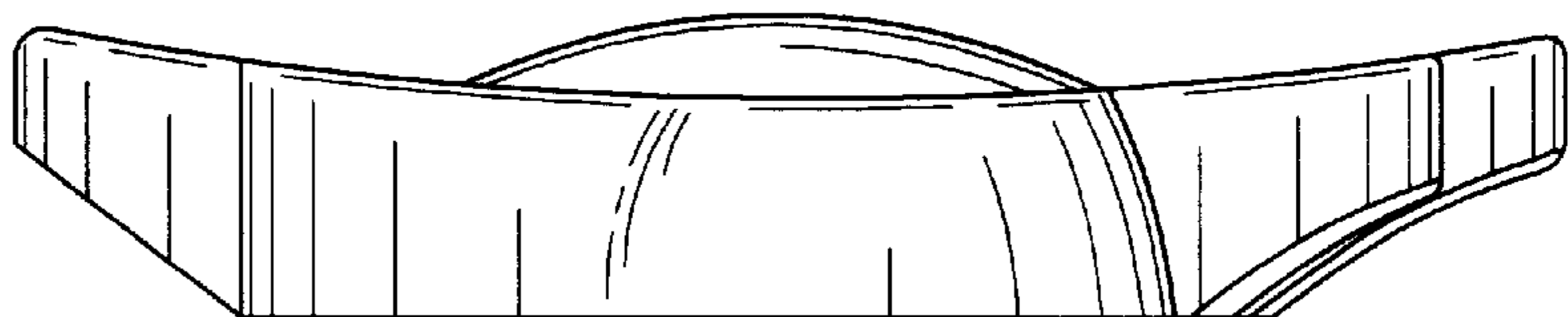
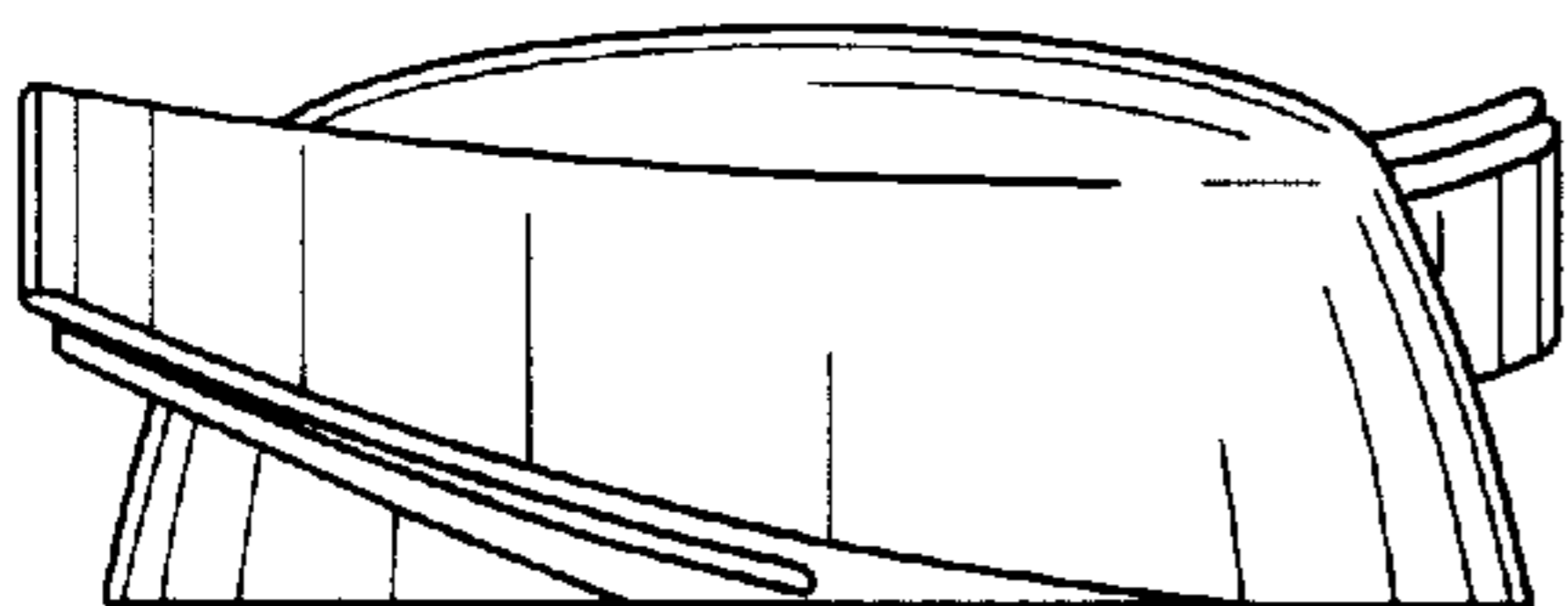


FIG. 8

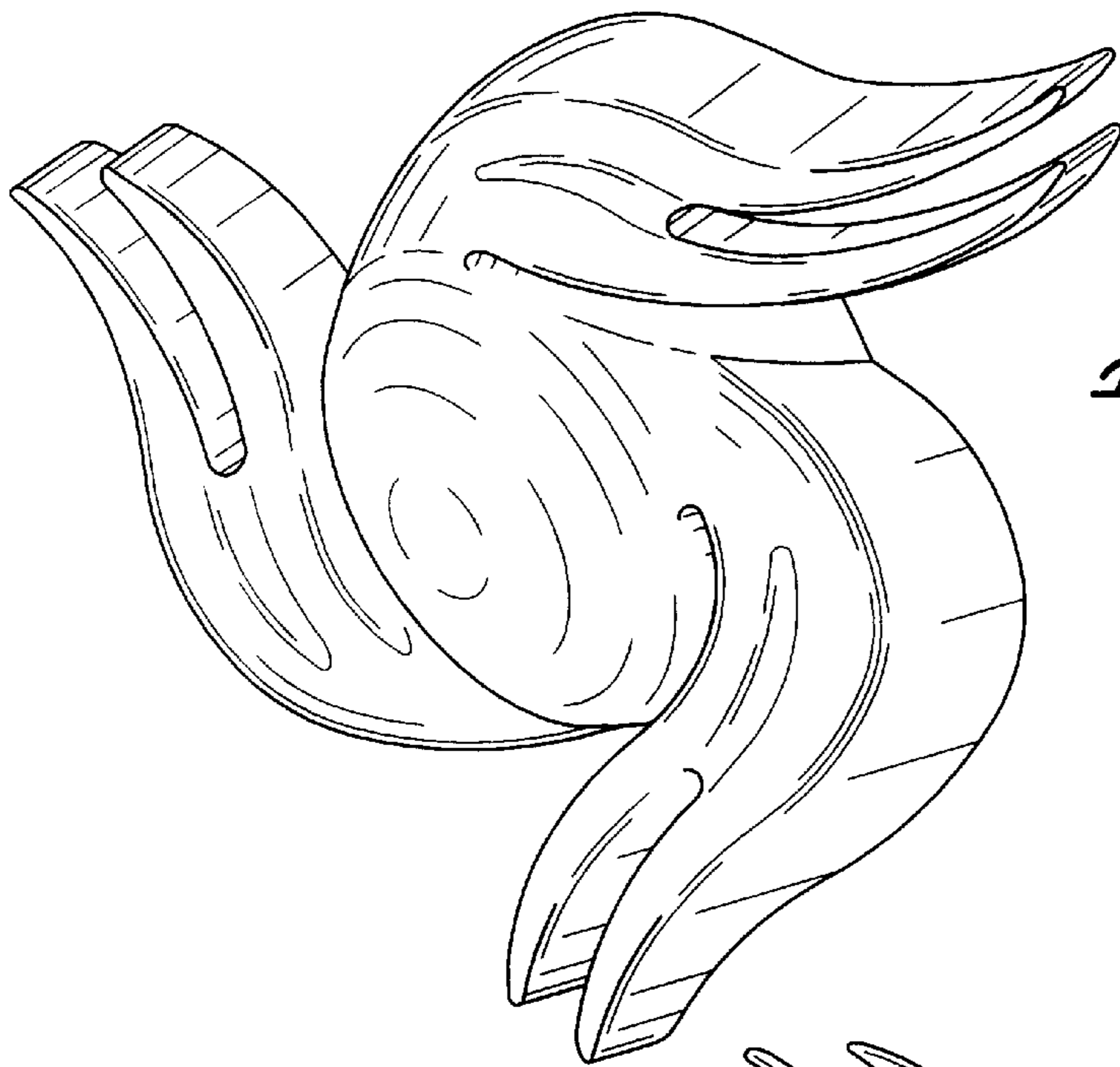


FIG. 9

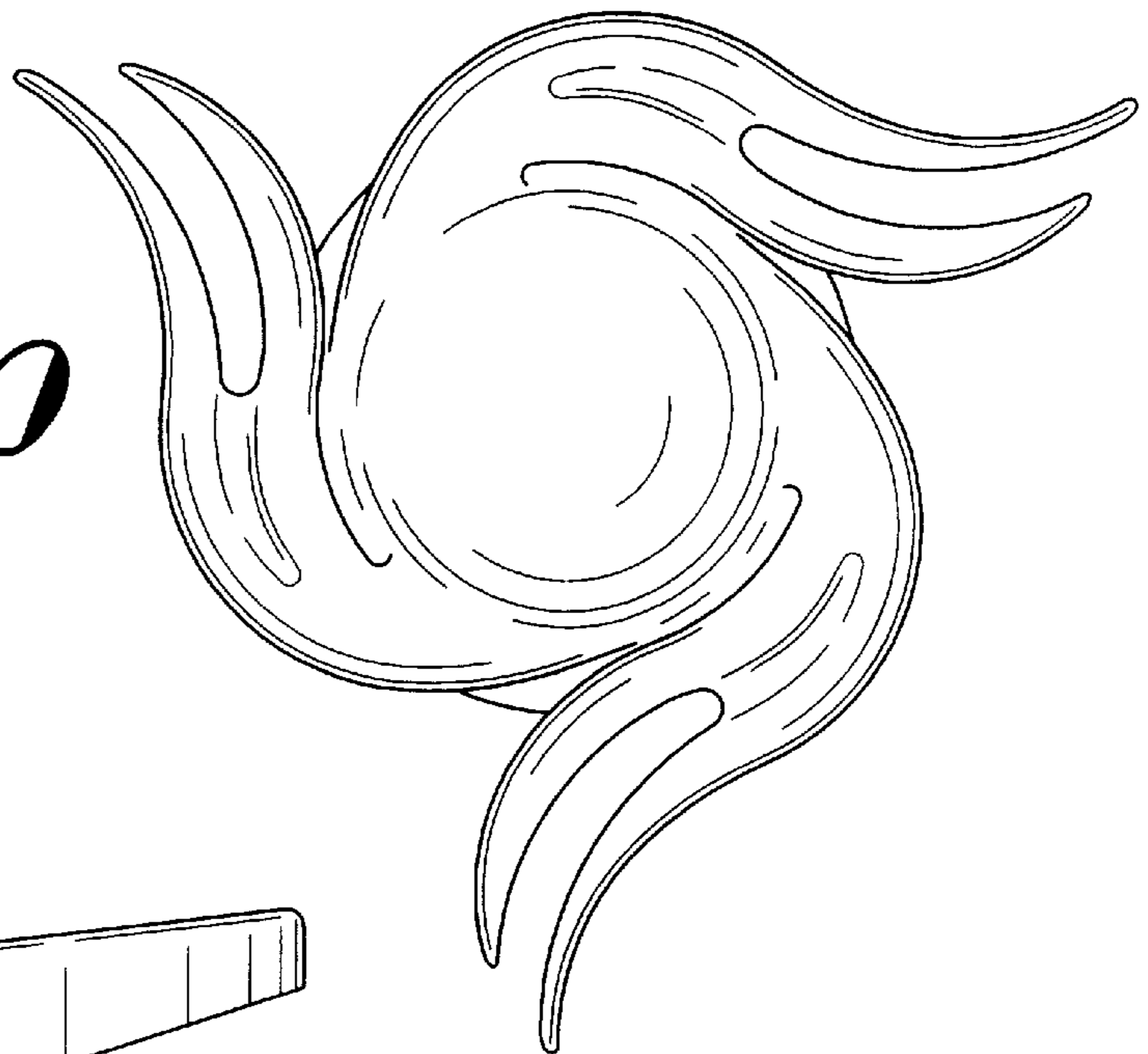


FIG. 10

FIG. 11

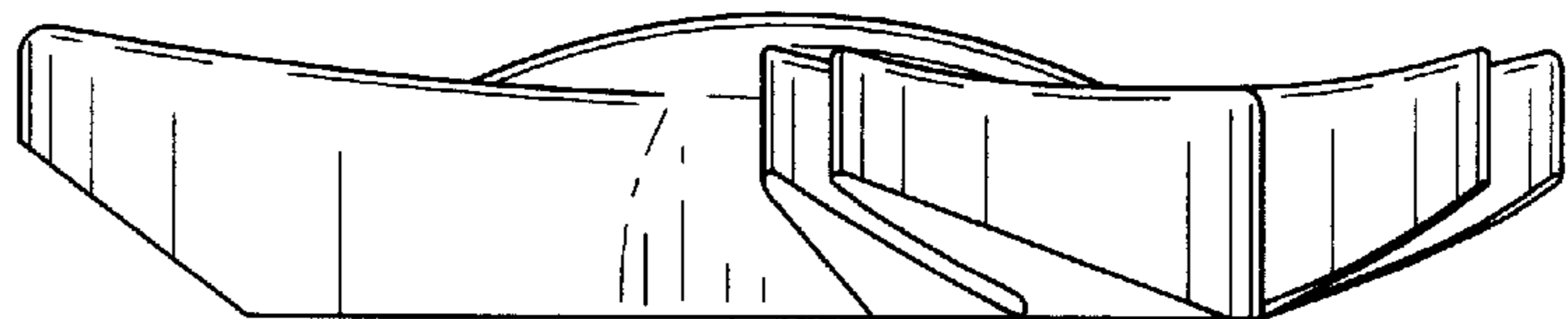
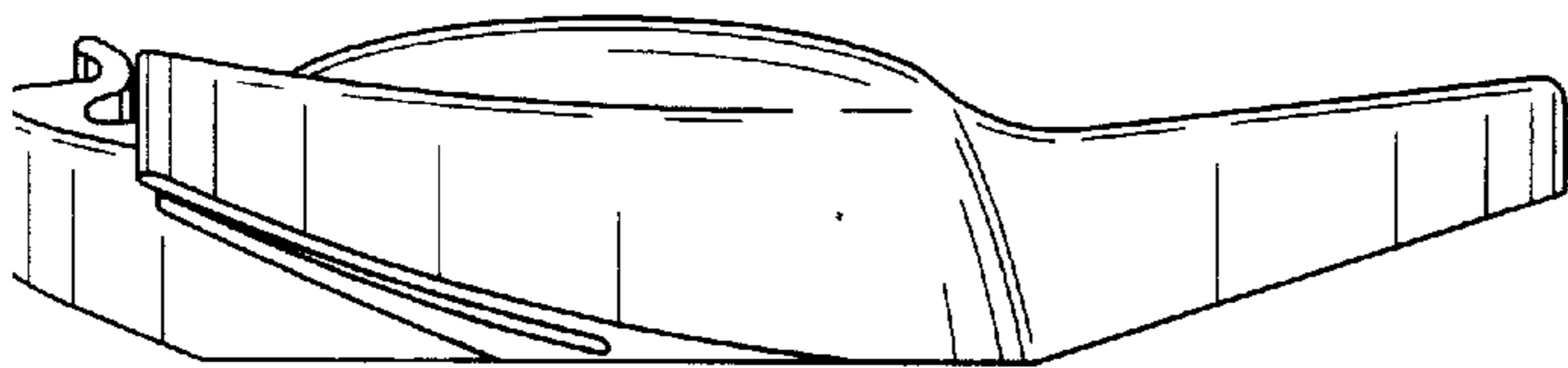


FIG. 12



FIG. 13

FIG. 14

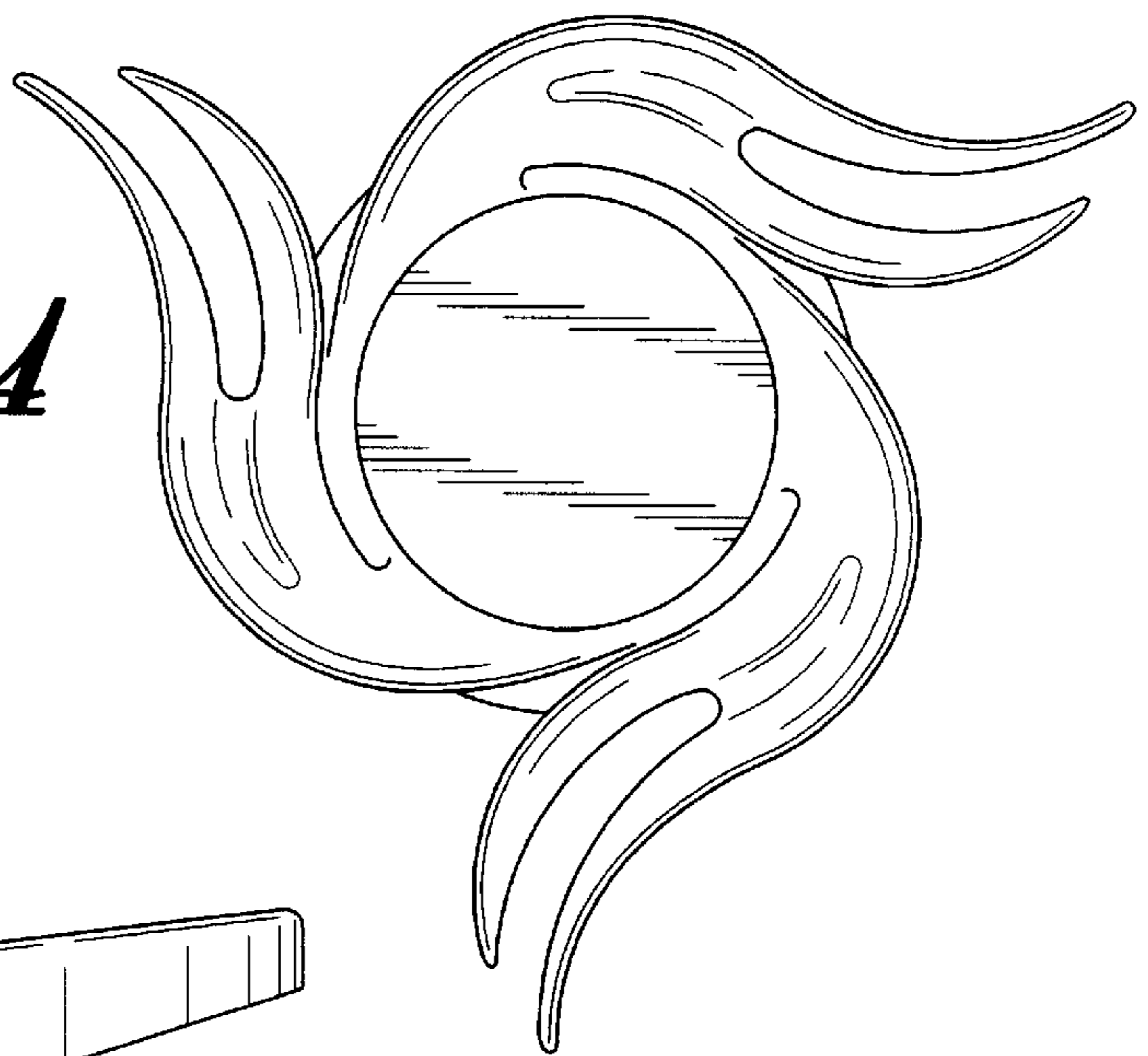


FIG. 15

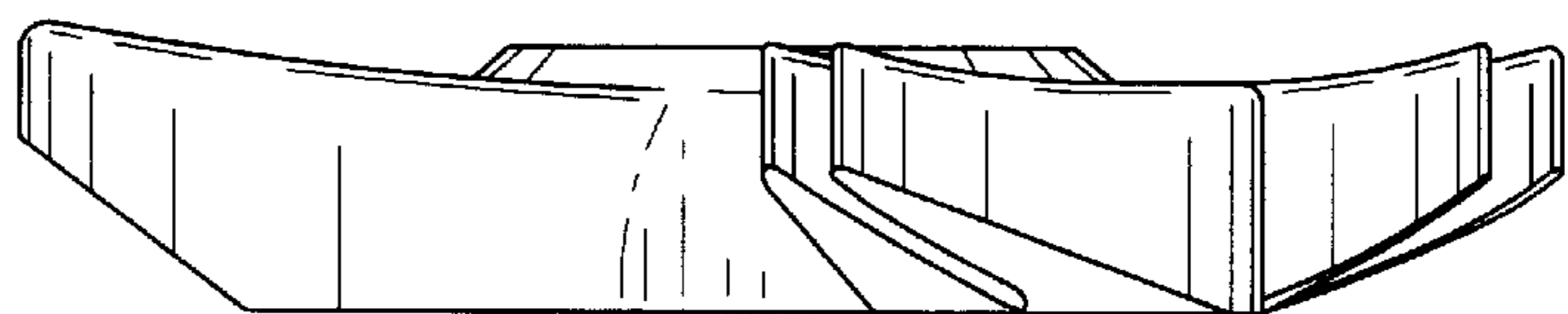
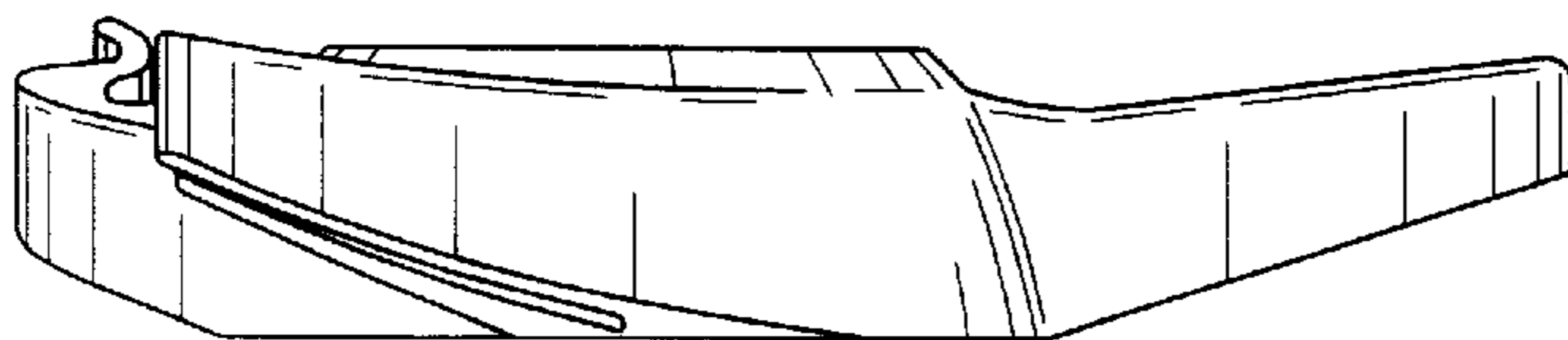


FIG. 16