



US00D434712S

**United States Patent** [19]  
**Chung**

[11] **Patent Number: Des. 434,712**

[45] **Date of Patent: \*\* Dec. 5, 2000**

[54] **AUTOMOTIVE WHEEL**

[75] **Inventor: Suny Chung**, Placentia, Calif.

[73] **Assignee: MKW Alloy Inc**, City of Industry, Calif.

[\*\*] **Term: 14 Years**

[21] **Appl. No.: 29/117,010**

[22] **Filed: Jan. 18, 2000**

[51] **LOC (7) Cl. .... 12-16**

[52] **U.S. Cl. .... D12/209**

[58] **Field of Search .... D12/204-211;**  
301/37.1, 64.1, 65

D. 409,548	5/1999	Chung	.....	D12/209
D. 409,967	5/1999	Chung	.....	D12/209
D. 409,968	5/1999	Goplen	.....	D12/211
D. 418,473	1/2000	Chung	.....	D12/211
D. 418,799	1/2000	Chung	.....	D12/211
D. 419,941	2/2000	Chung	.....	D12/209
D. 422,550	4/2000	Chung	.....	D12/211
D. 425,849	5/2000	Chung	.....	D12/209
D. 425,850	5/2000	Chung	.....	D12/211

*Primary Examiner*—Stacia Cadmus  
*Attorney, Agent, or Firm*—G. Donald Weber, Jr.

[57] **CLAIM**

The ornamental design for an automotive wheel, as shown and described.

**DESCRIPTION**

FIG. 1 is an oblique view of the automotive wheel of the instant invention; and, FIG. 2 is a side elevation view of the automotive wheel of the instant invention.

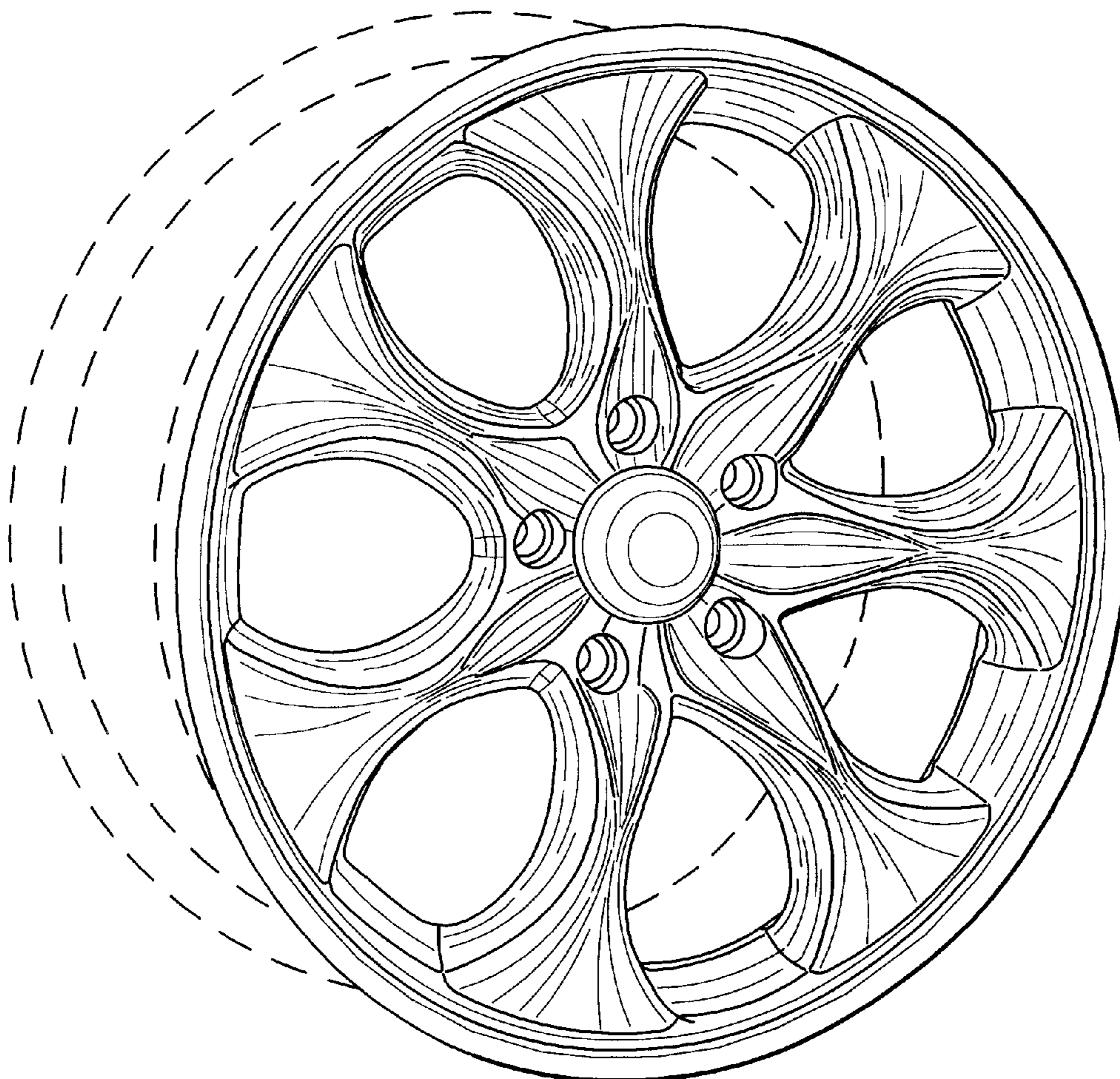
The broken line showing of environment is for illustrative purposes only and forms no part of the claimed design.

**1 Claim, 1 Drawing Sheet**

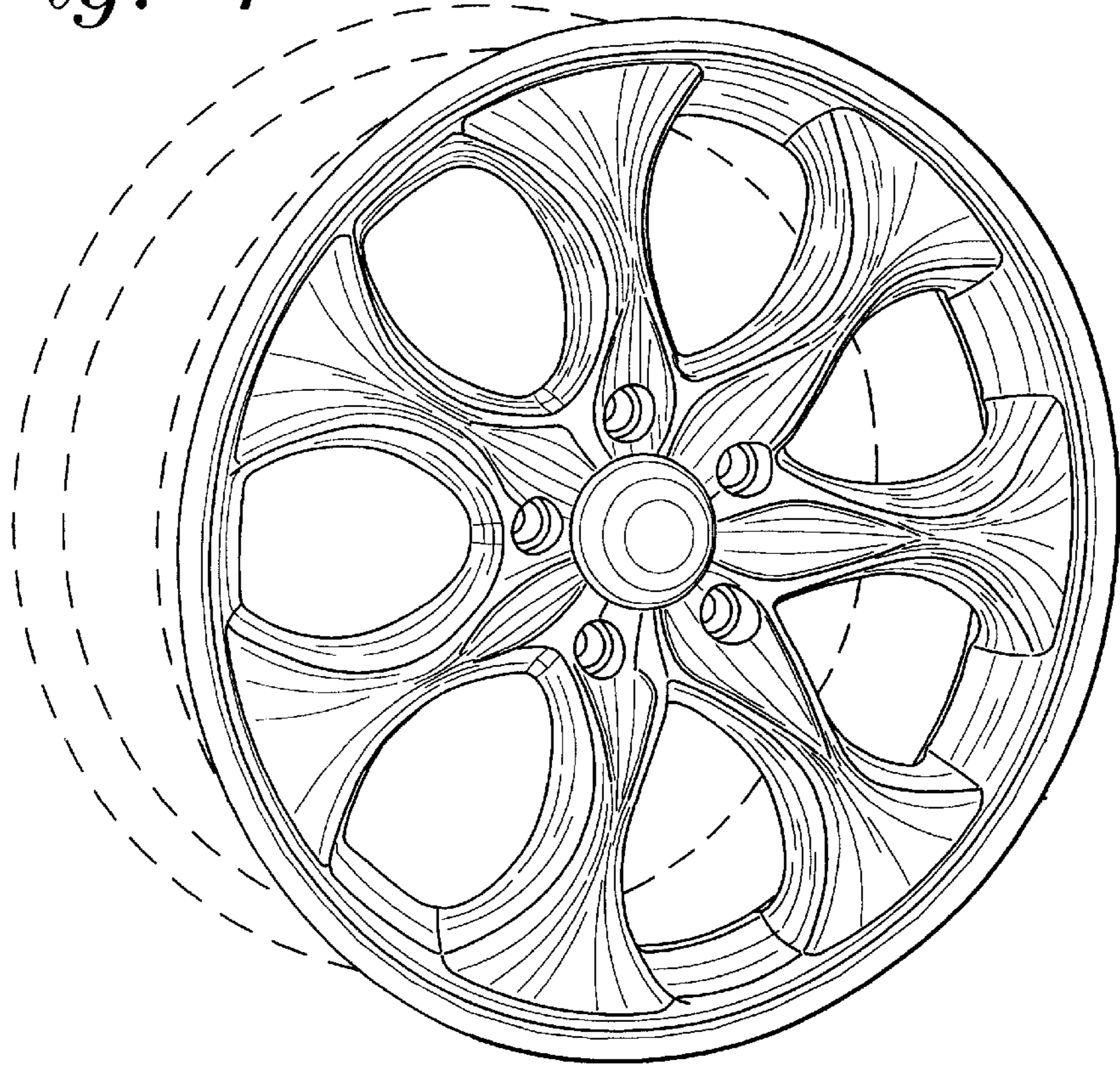
[56] **References Cited**

**U.S. PATENT DOCUMENTS**

D. 360,866	8/1995	Echazabal et al.	.....	D12/209
D. 373,562	9/1996	Cole	.....	D12/211
D. 388,045	12/1997	Sakagami et al.	.....	D12/209
D. 388,047	12/1997	Pfeiffer et al.	.....	D12/211
D. 397,077	8/1998	Cullen	.....	D12/209
D. 407,681	4/1999	Sacco et al.	.....	D12/209



*Fig. 1*



*Fig. 2*

