



US00D434710S

# United States Patent [19] Tsay

[11] **Patent Number: Des. 434,710**

[45] **Date of Patent: \*\* Dec. 5, 2000**

[54] **VEHICLE INTERIOR PANEL**

[75] Inventor: **Michael Tsay**, Irving, Calif.

[73] Assignee: **Honda Giken Kogyo Kabushiki Kaisha**, Japan

[\*\*] Term: **14 Years**

[21] Appl. No.: **29/125,162**

[22] Filed: **Jun. 20, 2000**

### Related U.S. Application Data

[62] Division of application No. 29/116,742, Jan. 11, 2000.

[51] **LOC (7) Cl.** ..... **12-16**

[52] **U.S. Cl.** ..... **D12/195**

[58] **Field of Search** ..... D12/190, 195;  
49/501, 502; 296/37.1, 37.13, 149, 153,  
146.1

### [56] References Cited

#### U.S. PATENT DOCUMENTS

D. 269,966 8/1983 Urban ..... D12/195

D. 338,865	8/1993	Lim	.....	D12/195
D. 347,615	6/1994	Lim	.....	D12/195
D. 348,644	7/1994	Lim	.....	D12/195
D. 382,528	8/1997	Hellhake et al.	.....	D12/195
D. 387,024	12/1997	Hellhake et al.	.....	D12/195
D. 409,543	5/1999	Sutton et al.	.....	D12/195
D. 409,965	5/1999	Mueller et al.	.....	D12/195
D. 411,157	6/1999	Sacco et al.	.....	D12/195
D. 415,461	10/1999	Sacco et al.	.....	D12/195

*Primary Examiner*—Stacia Cadmus  
*Attorney, Agent, or Firm*—Banner & Witcoff, Ltd.

### [57] CLAIM

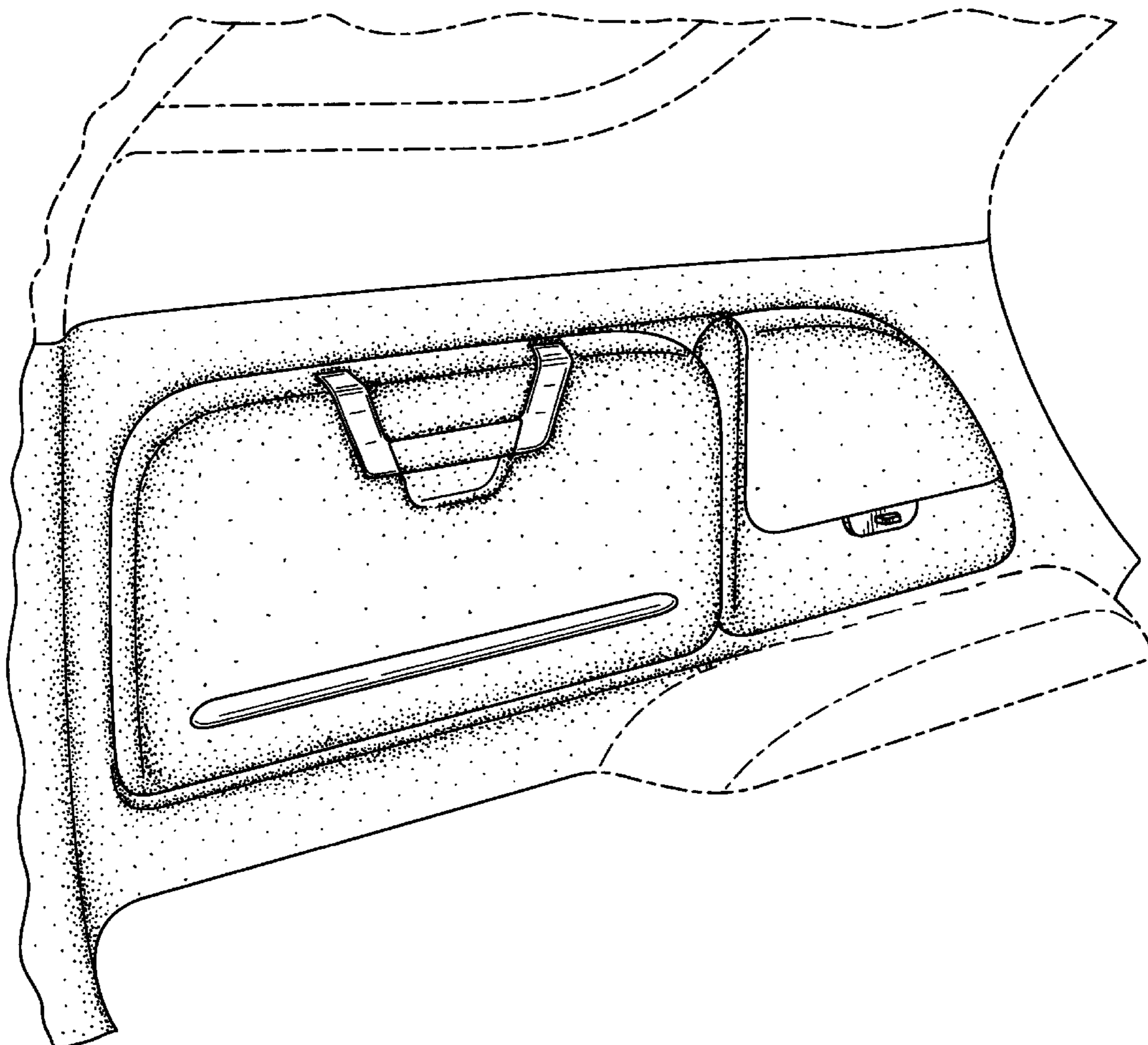
The ornamental design for a vehicle interior panel, as shown and described.

### DESCRIPTION

FIG. 1 is a perspective view of a vehicle interior panel showing my new design; and, FIG. 2 is an elevational view thereof.

The broken line depictions of the vehicle interior wall in all the views are for illustrative purposes only and form no part of the claimed design.

**1 Claim, 2 Drawing Sheets**



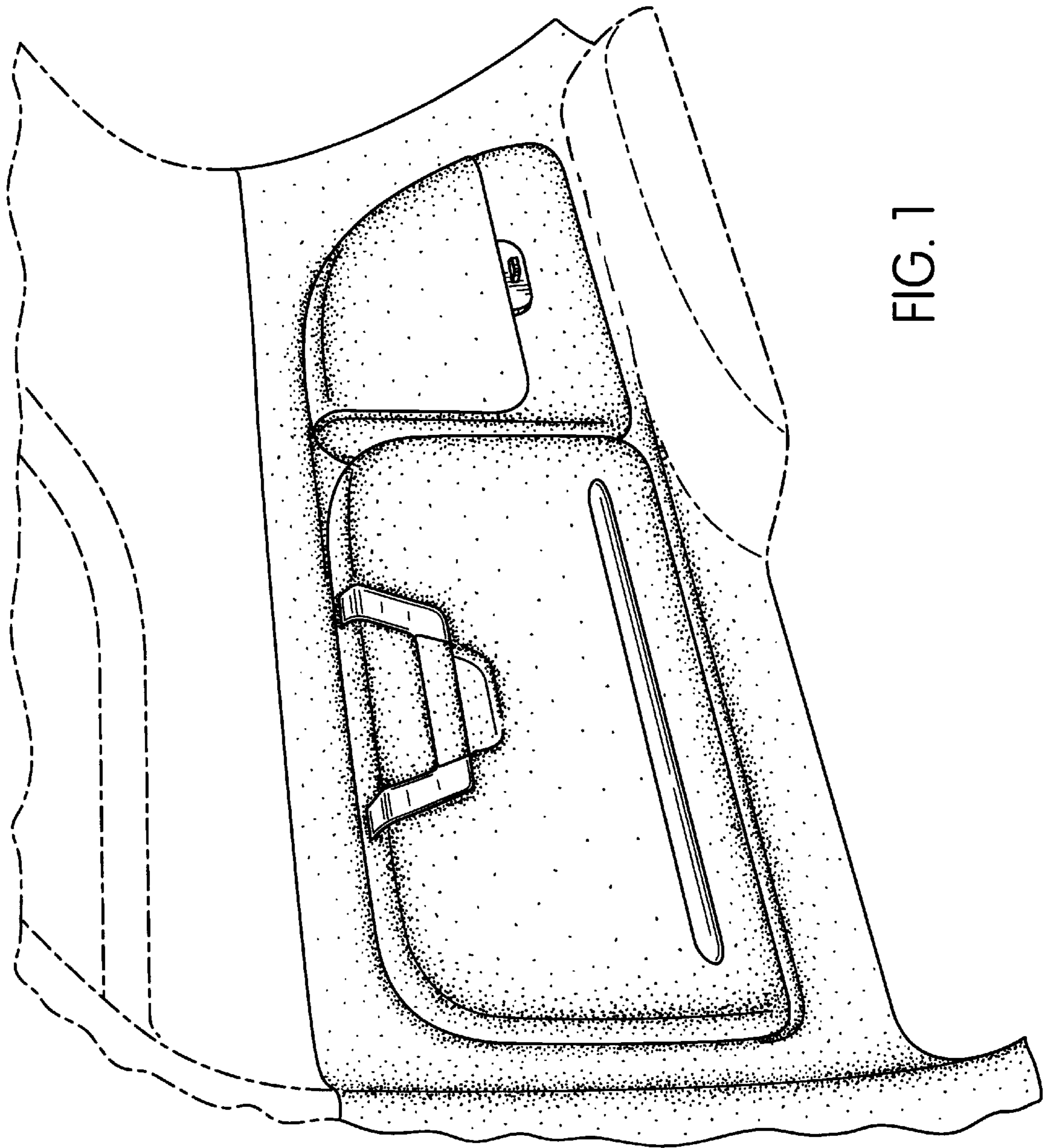


FIG. 1

FIG. 2

