



US00D434709S

United States Patent [19]

Hoyle, Jr.

[11] **Patent Number: Des. 434,709**

[45] **Date of Patent: ** Dec. 5, 2000**

[54] **PORTION OF TRUCK COWL HOOD**

D. 386,457 11/1997 Wittine D12/173
D. 391,909 3/1998 Wittine D12/173
D. 399,463 10/1998 Grabo et al. D12/173

[75] Inventor: **Frederick L. Hoyle, Jr.**, Pickerington, Ohio

Primary Examiner—Melody N. Brown
Attorney, Agent, or Firm—Gifford, Krass, Groh, Sprinkle, Anderson & Citkowski, P.C.

[73] Assignee: **Reflexxion Automotive Products, LLP**, Memphis, Tenn.

[**] Term: **14 Years**

[57] **CLAIM**

[21] Appl. No.: **29/109,465**

I claim the ornamental design for a portion of truck cowl hood, as shown and described.

[22] Filed: **Aug. 16, 1999**

DESCRIPTION

[51] **LOC (7) Cl.** **12-16**

FIG. 1 is a front perspective view of a portion of a truck cowl hood showing my new design;

[52] **U.S. Cl.** **D12/173**

FIG. 2 is a left side elevational view thereof, the right side being a mirror image thereof; and,

[58] **Field of Search** D12/173, 90-92;
180/68.6, 69.1, 69.2

FIG. 3 is a top plan view thereof.

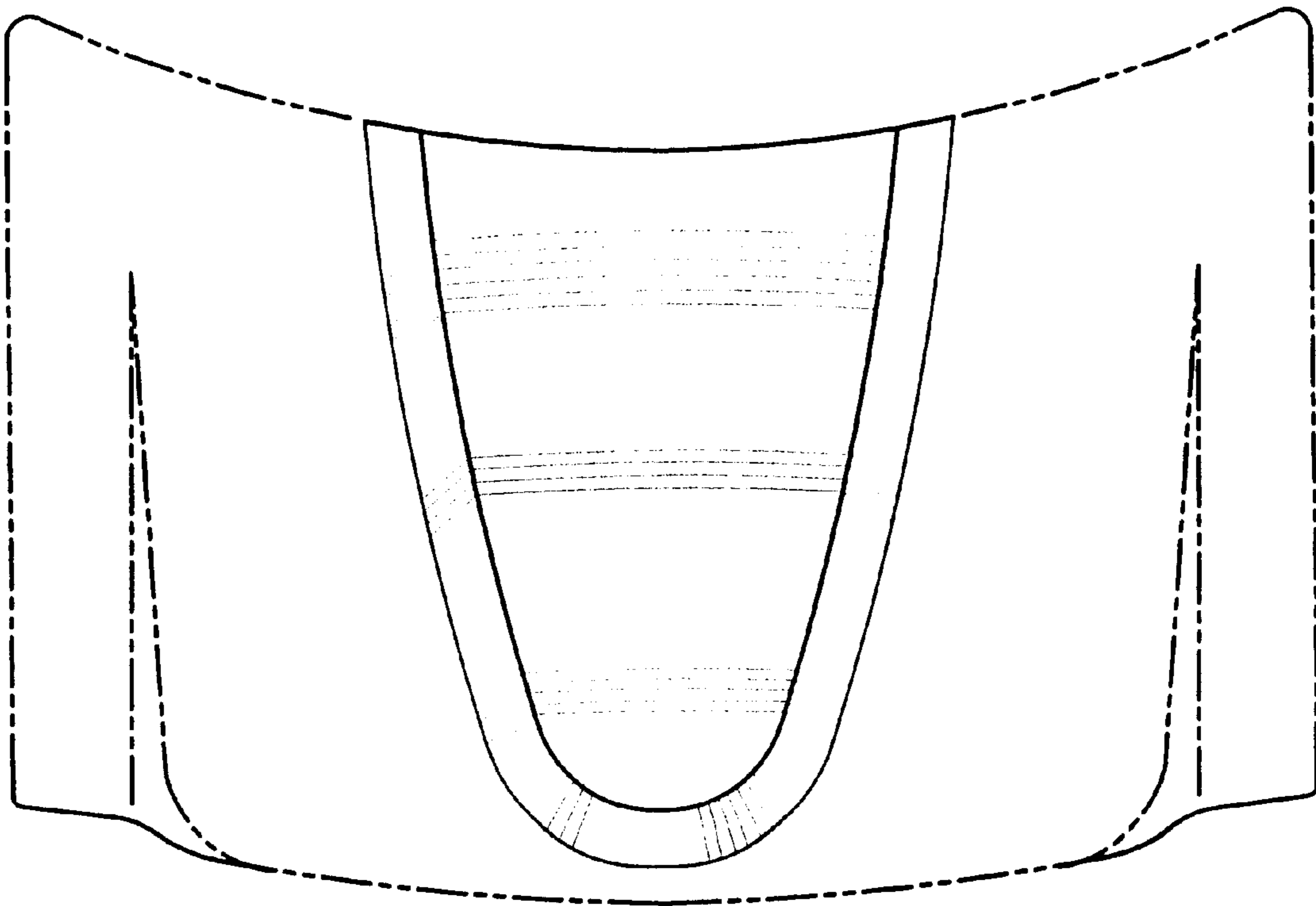
[56] **References Cited**

The portions of the hood shown in broken lines are for illustrative purposes only and form no part of the claimed design.

U.S. PATENT DOCUMENTS

D. 353,124 12/1994 Benningfield D12/173
D. 385,242 10/1997 Grabo et al. D12/173

1 Claim, 1 Drawing Sheet



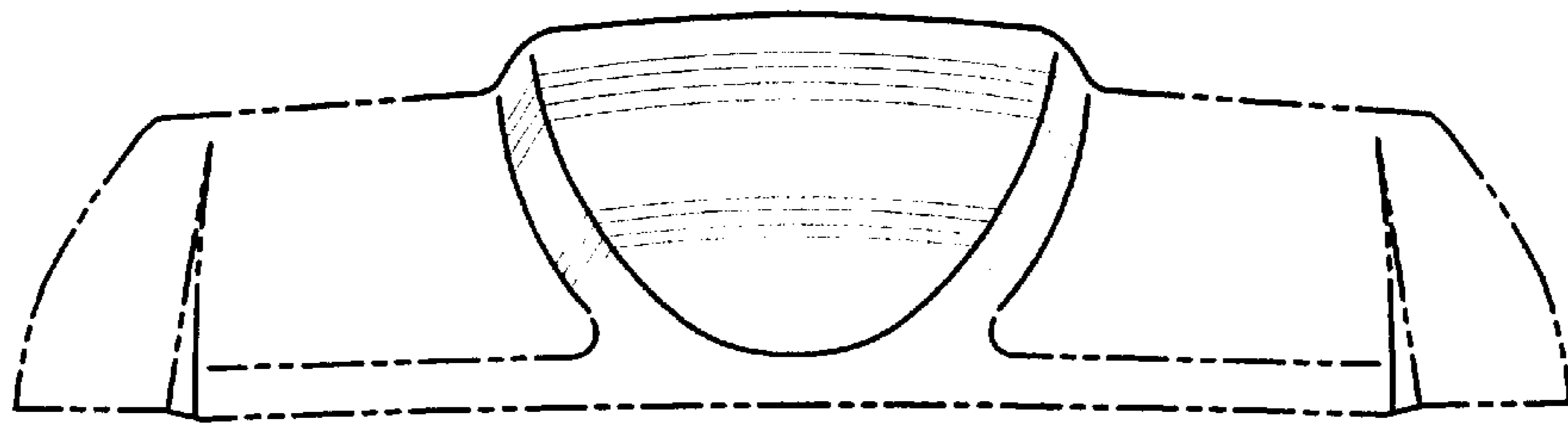


Fig-1

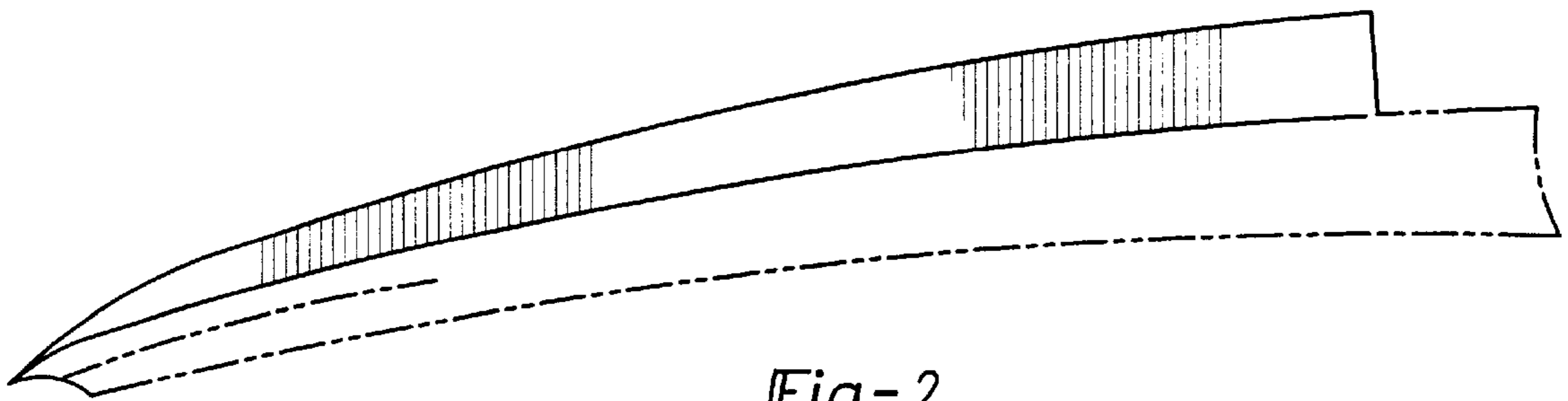


Fig-2

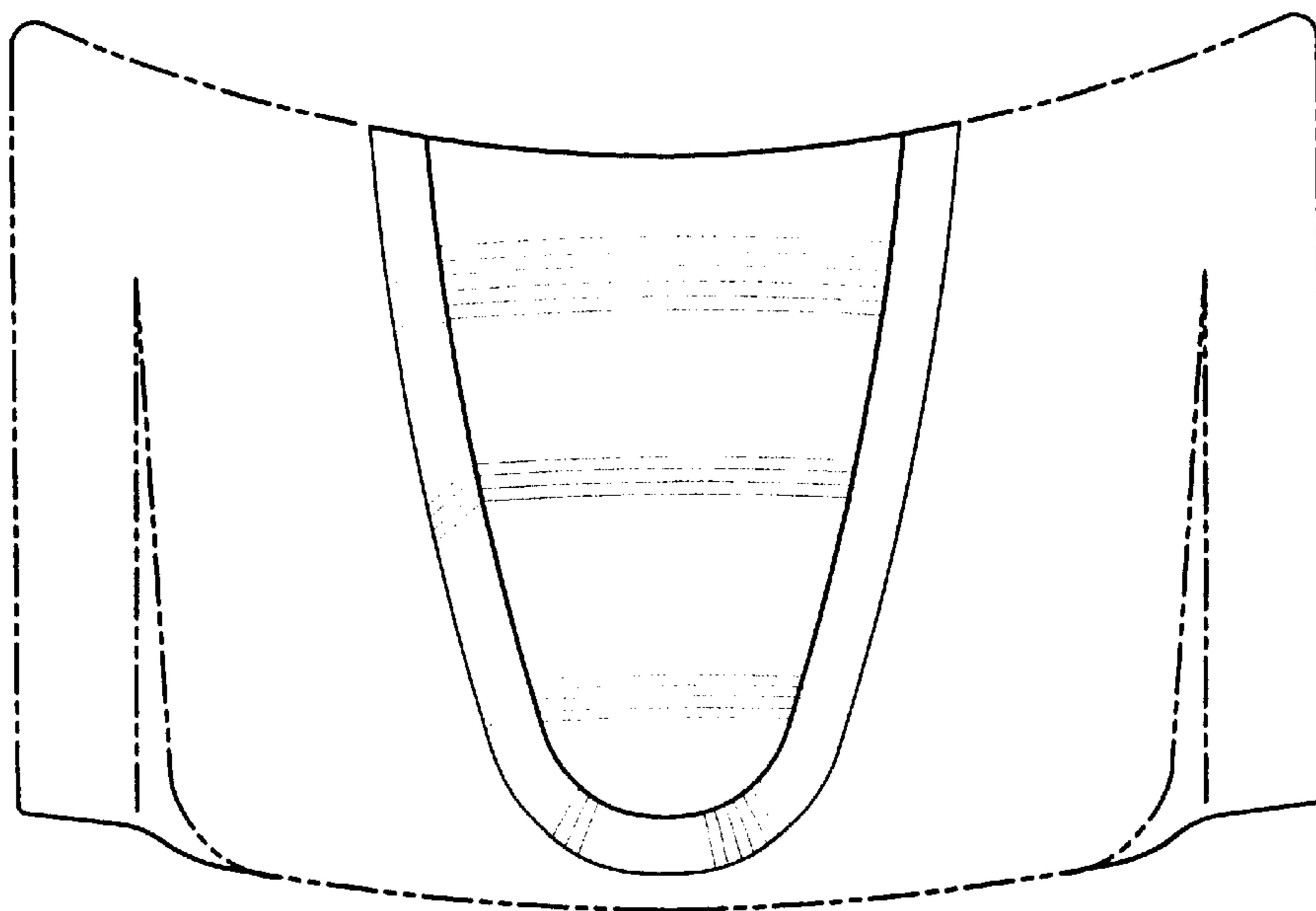


Fig-3