



US00D434704S

**United States Patent** [19]  
**Huang**

[11] **Patent Number: Des. 434,704**

[45] **Date of Patent: \*\* Dec. 5, 2000**

[54] **STROLLER**

5,755,455 5/1998 Chen et al. .... 280/642

[76] Inventor: **Mien Chen Huang**, 123-2, Pitou,  
Kuanmiao, Tainan, Taiwan

*Primary Examiner*—Kay H. Chin  
*Attorney, Agent, or Firm*—Pro-Techtor International  
Services

[\*\*] Term: **14 Years**

[57] **CLAIM**

[21] Appl. No.: **29/115,462**

The ornamental design for a stroller, as shown and  
described.

[22] Filed: **Dec. 14, 1999**

**DESCRIPTION**

[51] **LOC (7) Cl.** ..... **12-12**

[52] **U.S. Cl.** ..... **D12/129**

[58] **Field of Search** ..... 212/128-133;  
280/42, 642, 643, 644, 647, 648, 649, 650

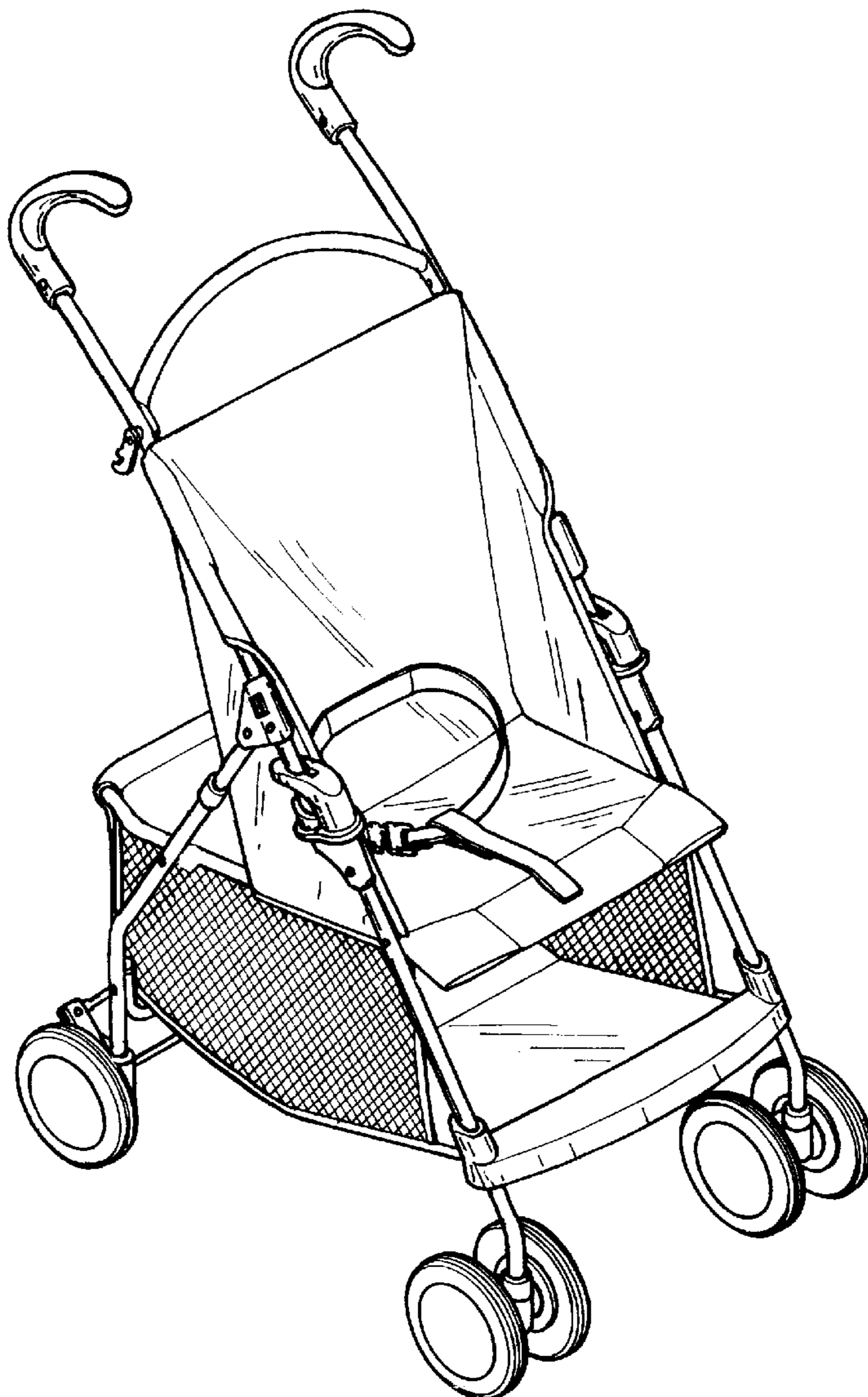
FIG. 1 is a perspective view of a stroller showing my new  
design;  
FIG. 2 is a front view of the design;  
FIG. 3 is a rear view of the design;  
FIG. 4 is a left side view of the design;  
FIG. 5 is a right side view of the design;  
FIG. 6 is a top view of the design; and,  
FIG. 7 is a bottom view of the design.

[56] **References Cited**

**U.S. PATENT DOCUMENTS**

D. 355,874	2/1995	Nelson	.....	D12/129
4,743,043	5/1988	Shamie	.....	280/644
4,856,809	8/1989	Kohus et al.	.....	280/644

**1 Claim, 4 Drawing Sheets**



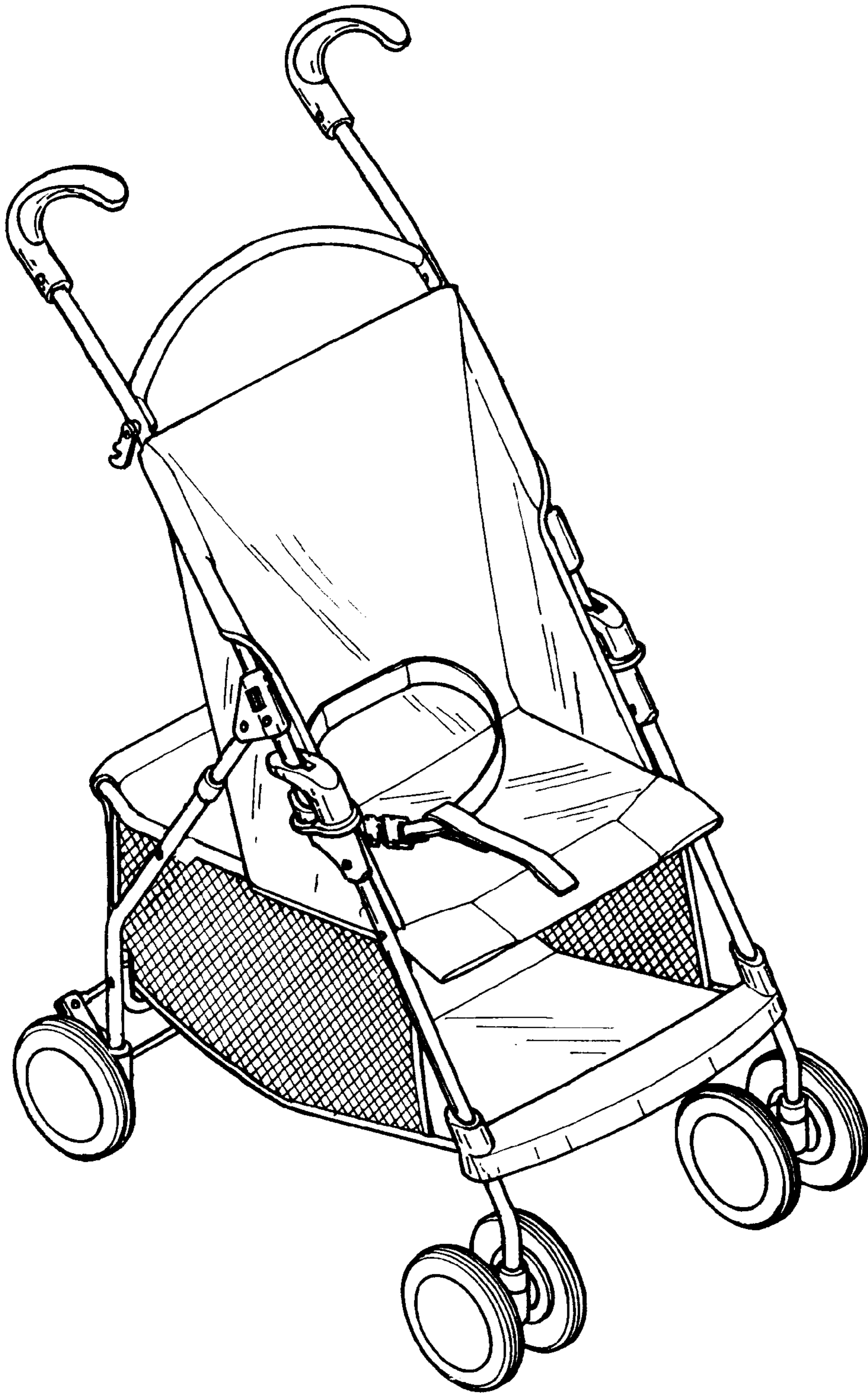


FIG. 1

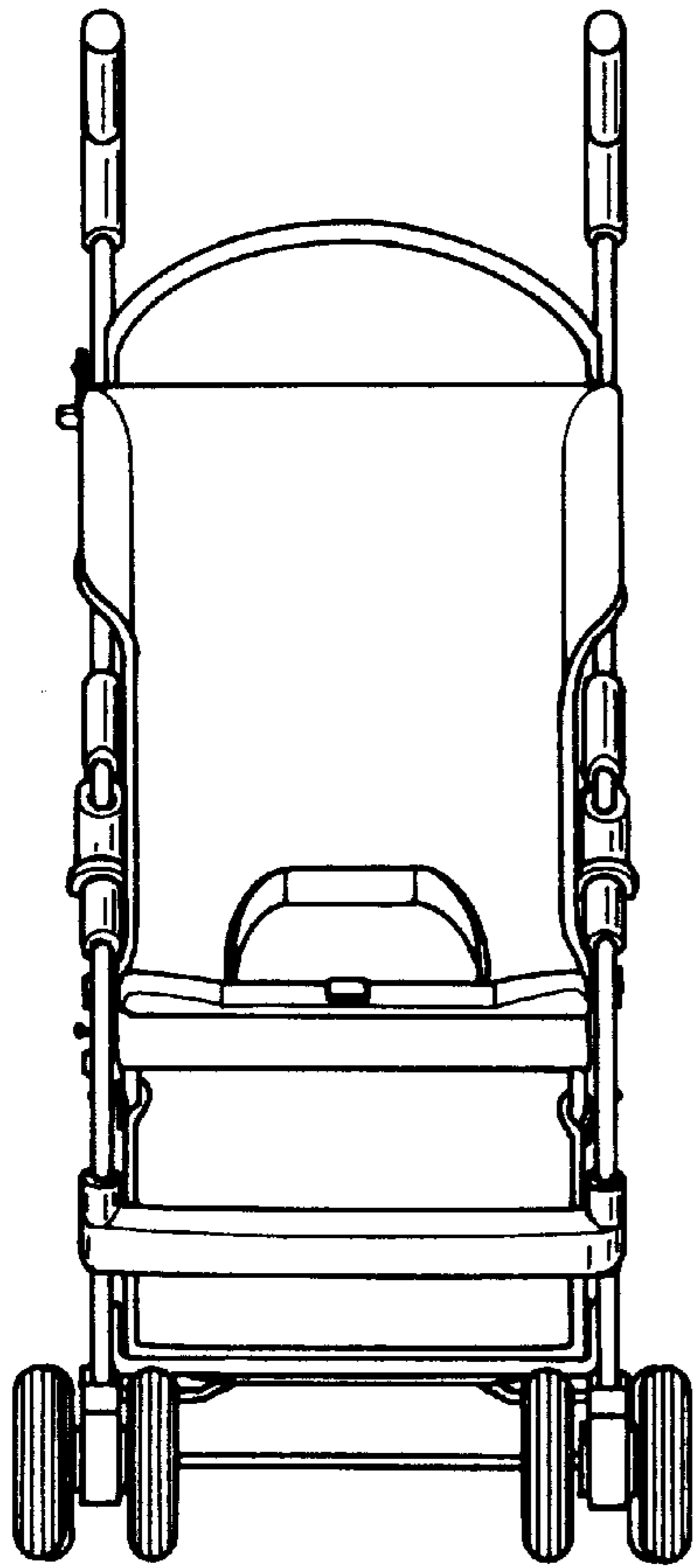


FIG. 2

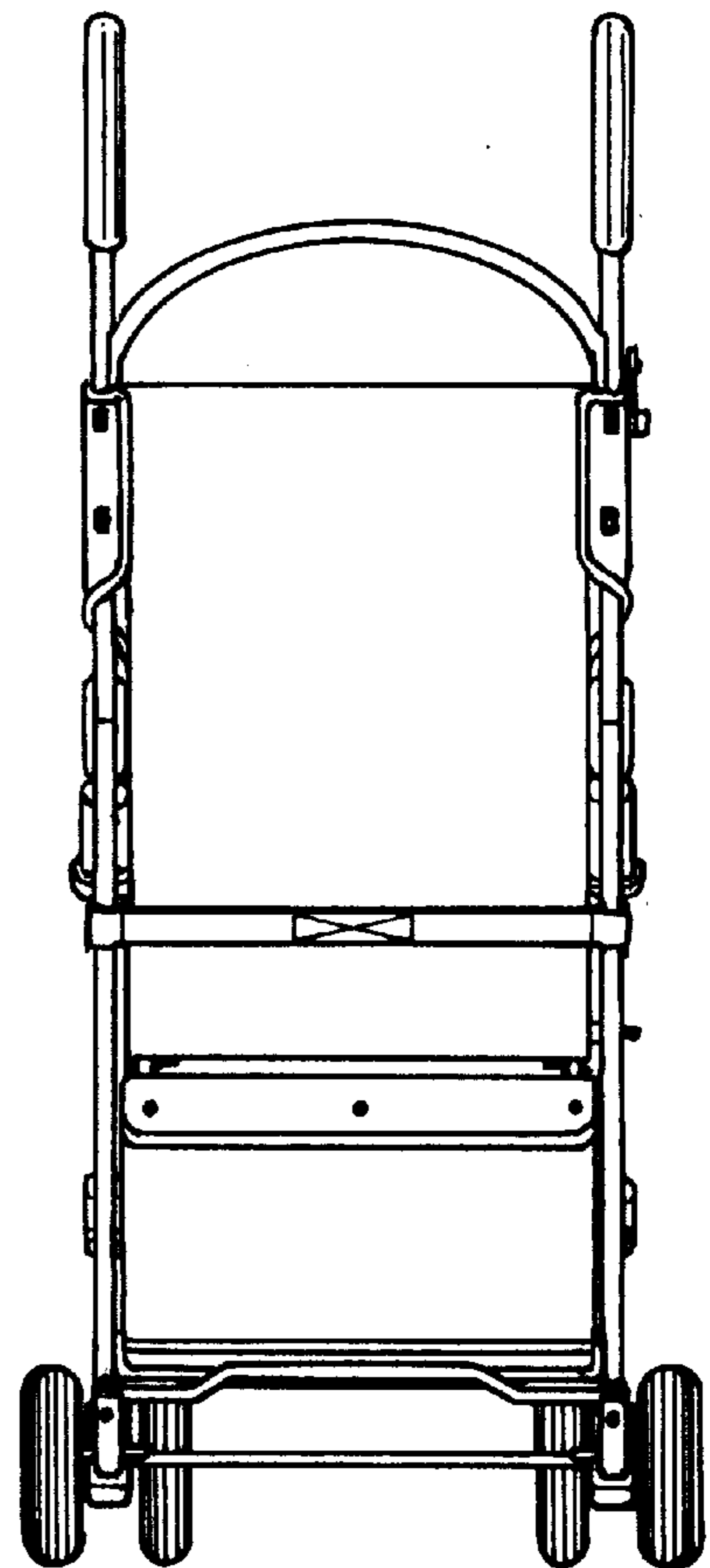


FIG. 3

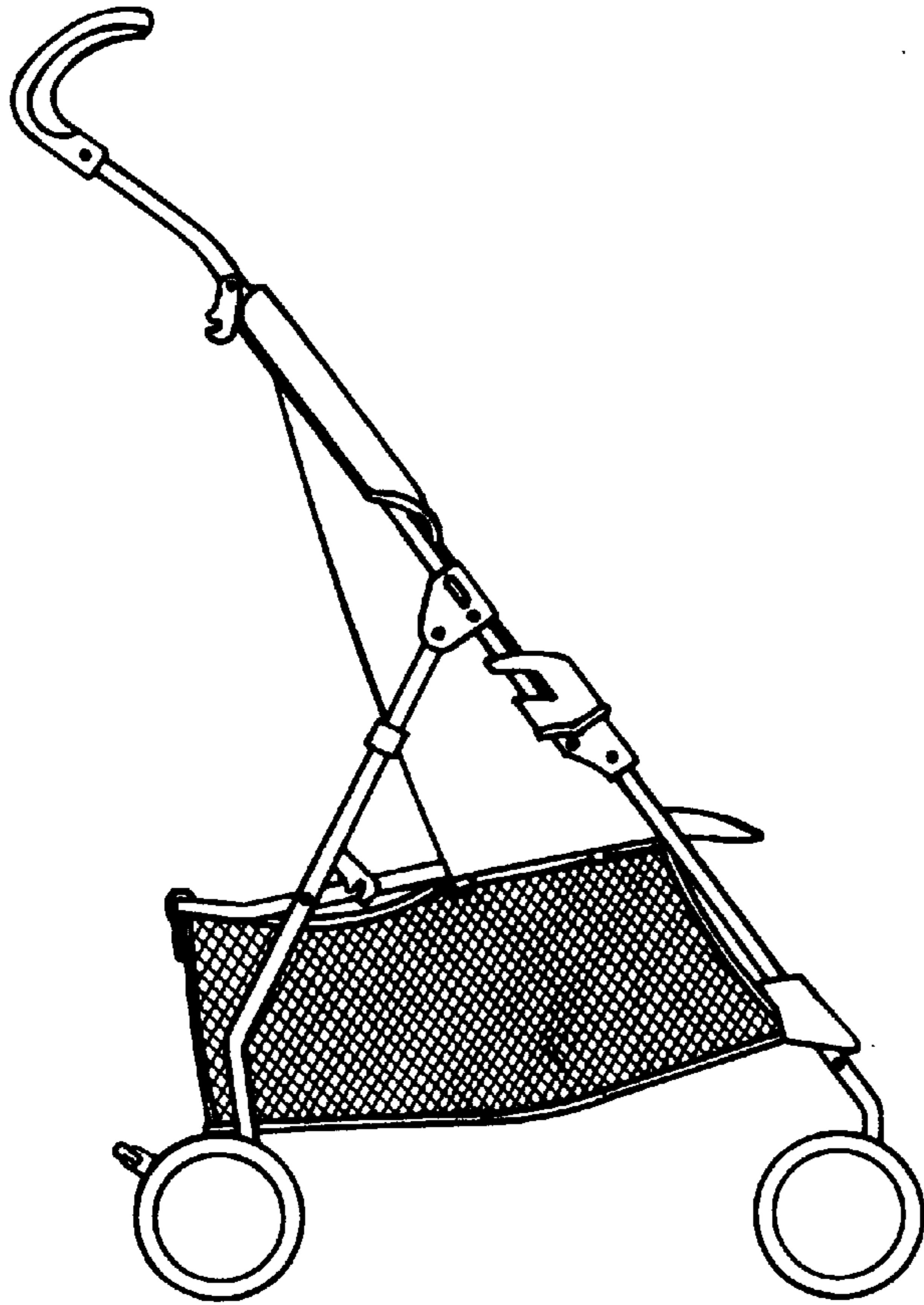


FIG. 4

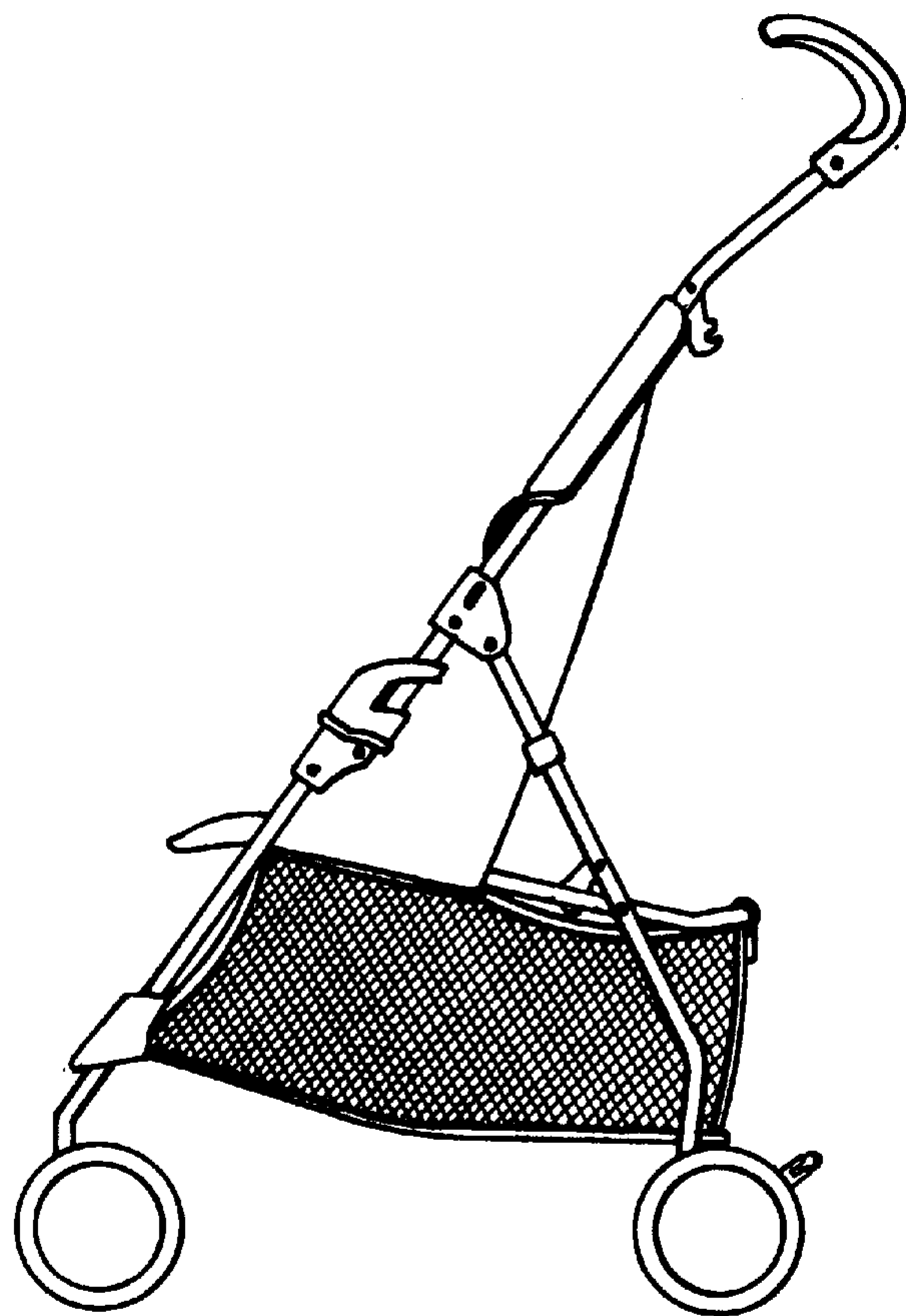


FIG. 5

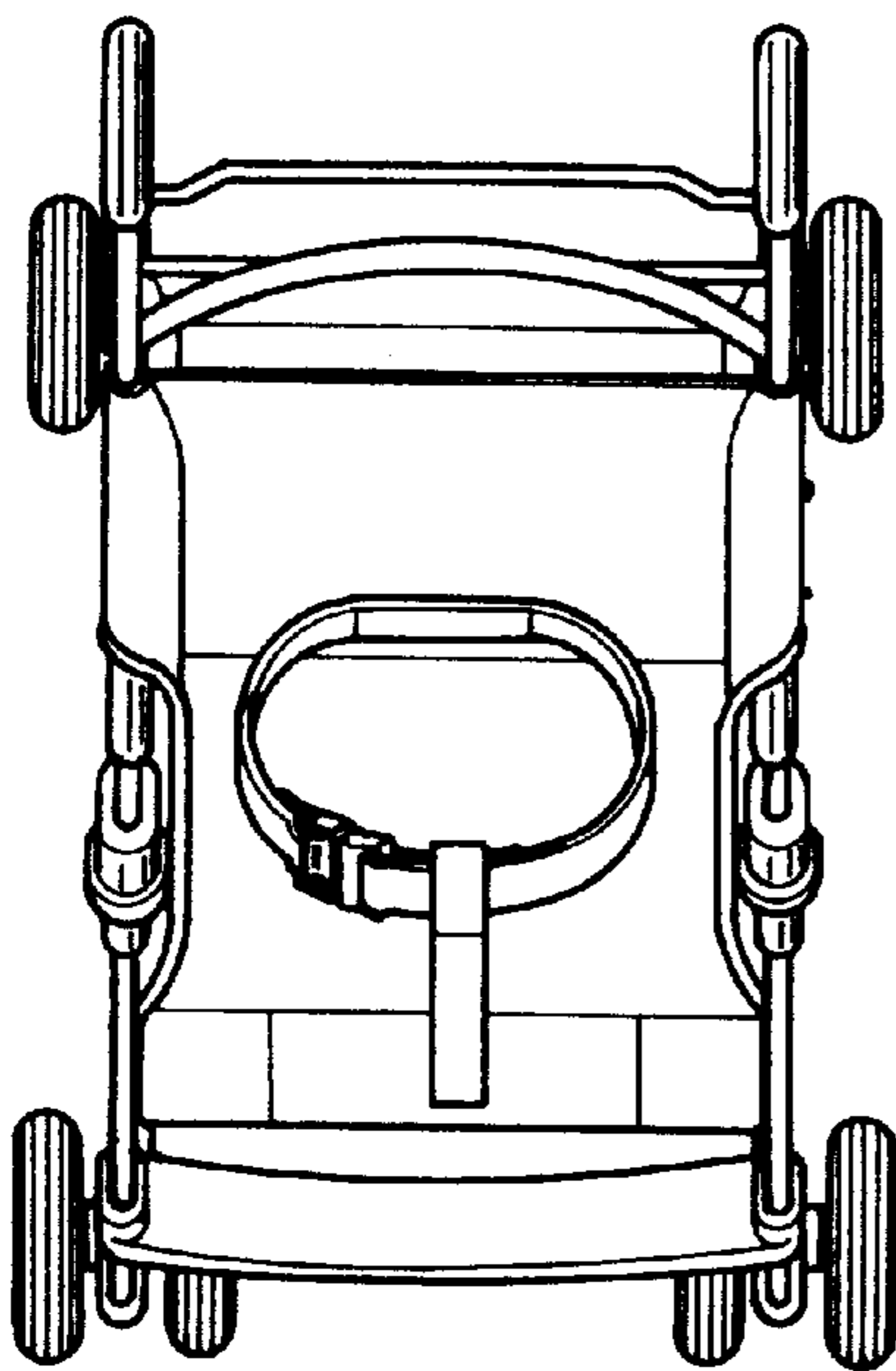


FIG. 6

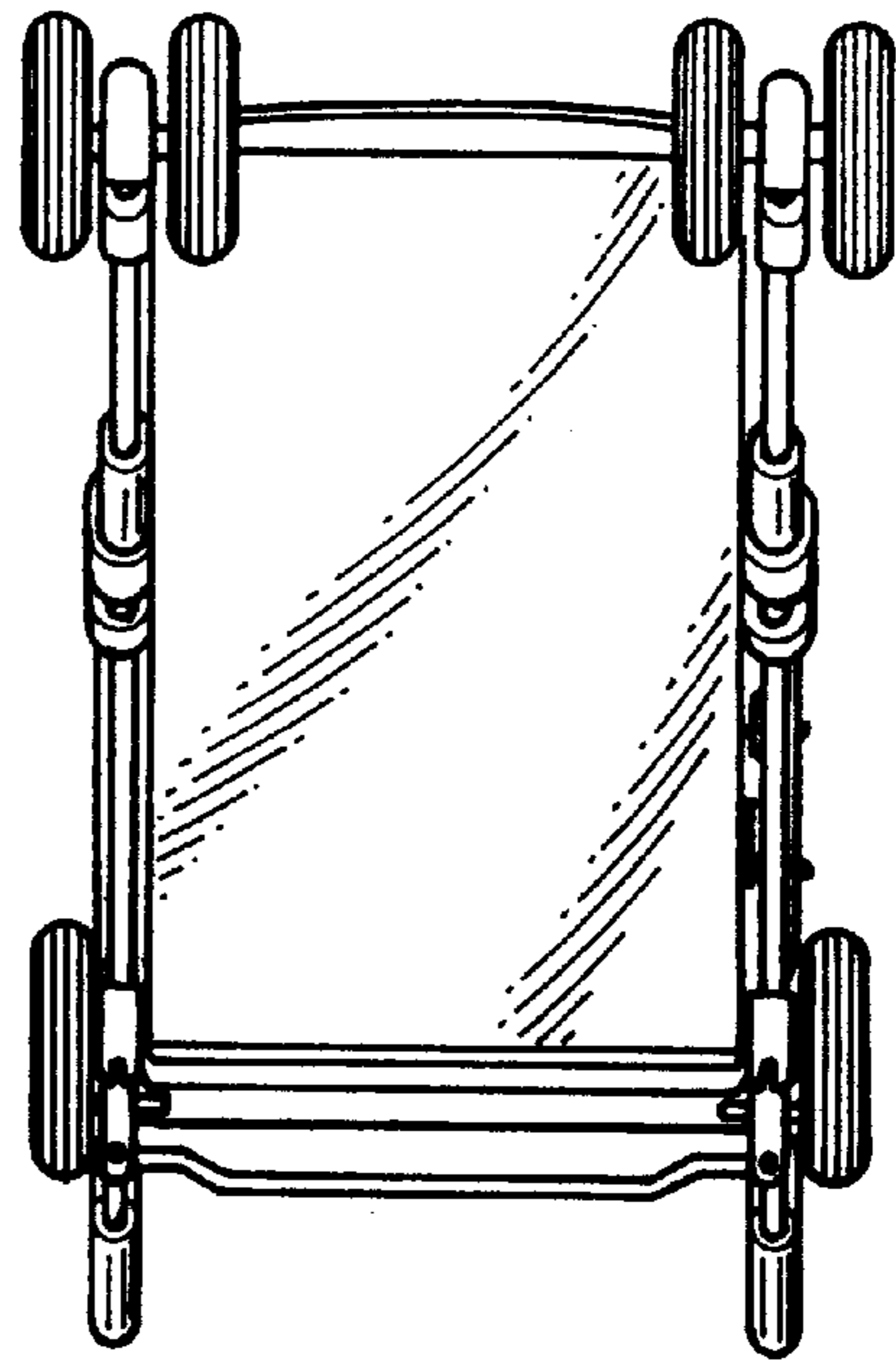


FIG. 7