



US00D434703S

United States Patent [19]
Ricci

[11] **Patent Number: Des. 434,703**

[45] **Date of Patent: ** Dec. 5, 2000**

[54] **ROTOR COVER FOR MOTORCYCLES**

[76] Inventor: **Leo Ricci**, 138 E. Colfax Ave., Roselle Park, N.J. 07204

[**] Term: **14 Years**

[21] Appl. No.: **29/097,944**

[22] Filed: **Dec. 18, 1998**

[51] **LOC (7) Cl.** **12-11**

[52] **U.S. Cl.** **D12/126**

[58] **Field of Search** D12/110, 114,
D12/126; 180/219; 280/288.4

[56] **References Cited**

U.S. PATENT DOCUMENTS

- D. 281,912 12/1985 Rudd D12/114
- D. 290,102 6/1987 Stahel D12/126

OTHER PUBLICATIONS

Drag Specialties, rotor cover Nos. D-720050, DS-720051, DS-720105, and DS-720057, p. 419, 1995.

Primary Examiner—Alan P. Douglas
Assistant Examiner—Linda Brooks
Attorney, Agent, or Firm—Ezra Sutton

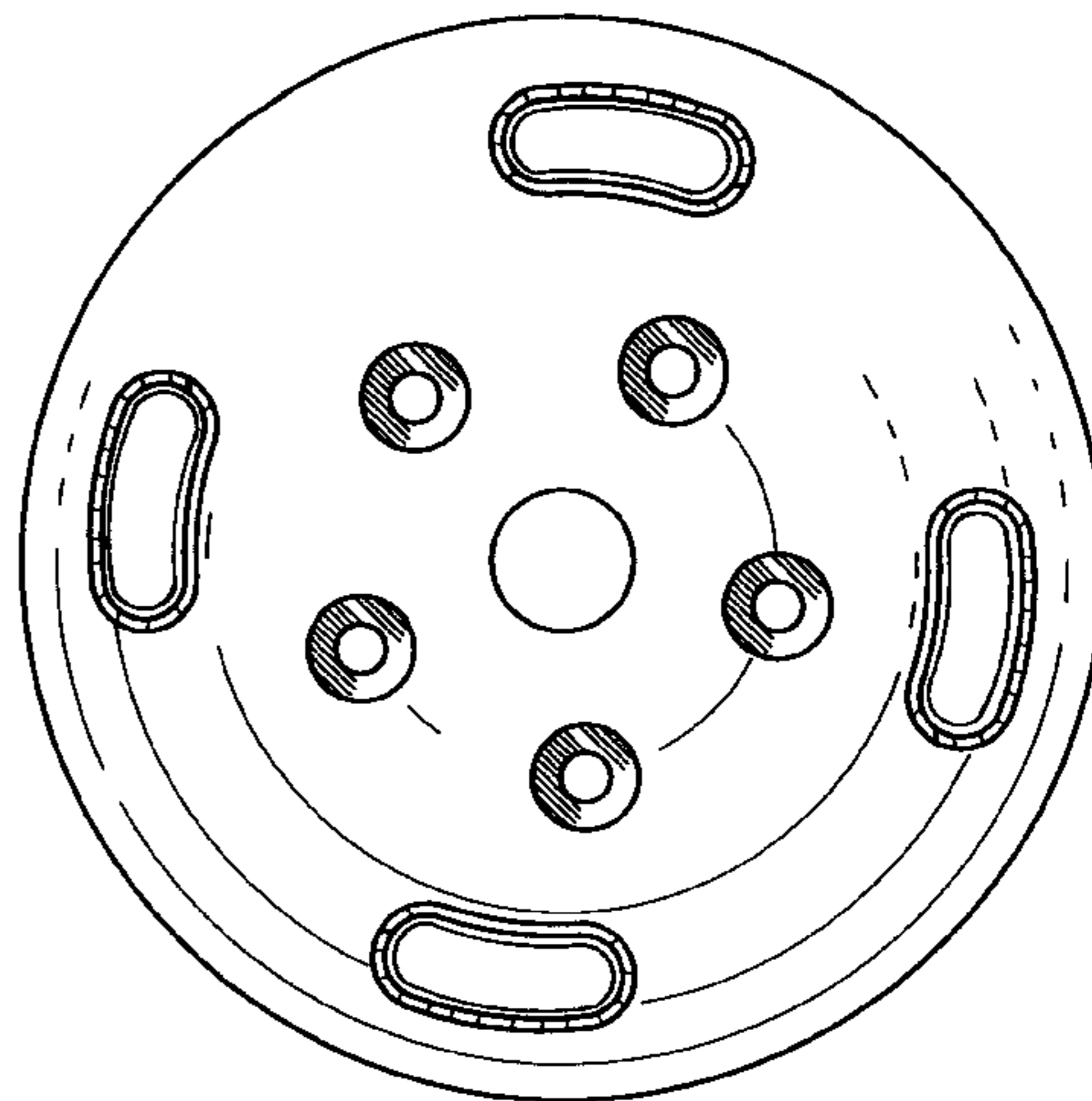
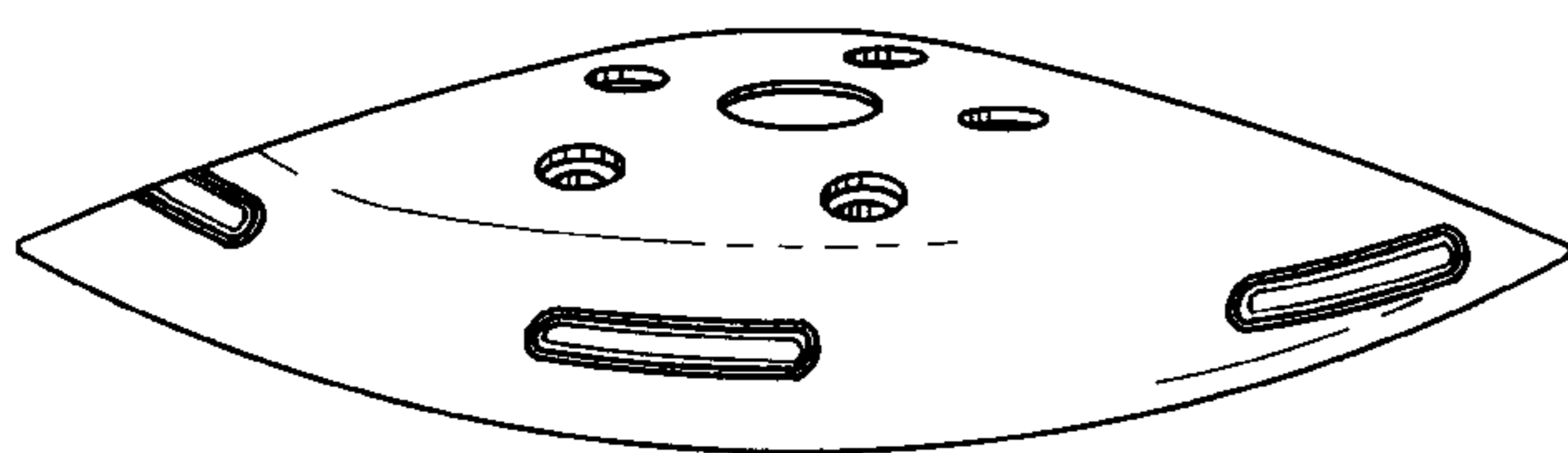
[57] **CLAIM**

The ornamental design for a rotor cover for motorcycles, as shown and described.

DESCRIPTION

FIG. 1 is a top perspective view of a rotor cover for motorcycles embodying my new design;
 FIG. 2 is a bottom perspective view thereof;
 FIG. 3 is a top view thereof;
 FIG. 4 is a bottom view thereof;
 FIG. 5 is a side view thereof, the other side view being a mirror image thereof;
 FIG. 6 is a top perspective view of an alternate rotor cover for motorcycles embodying my new design;
 FIG. 7 is a bottom perspective view thereof;
 FIG. 8 is a top view thereof;
 FIG. 9 is a bottom view thereof; and,
 FIG. 10 is a side view thereof, the other side view being a mirror image thereof.

1 Claim, 4 Drawing Sheets



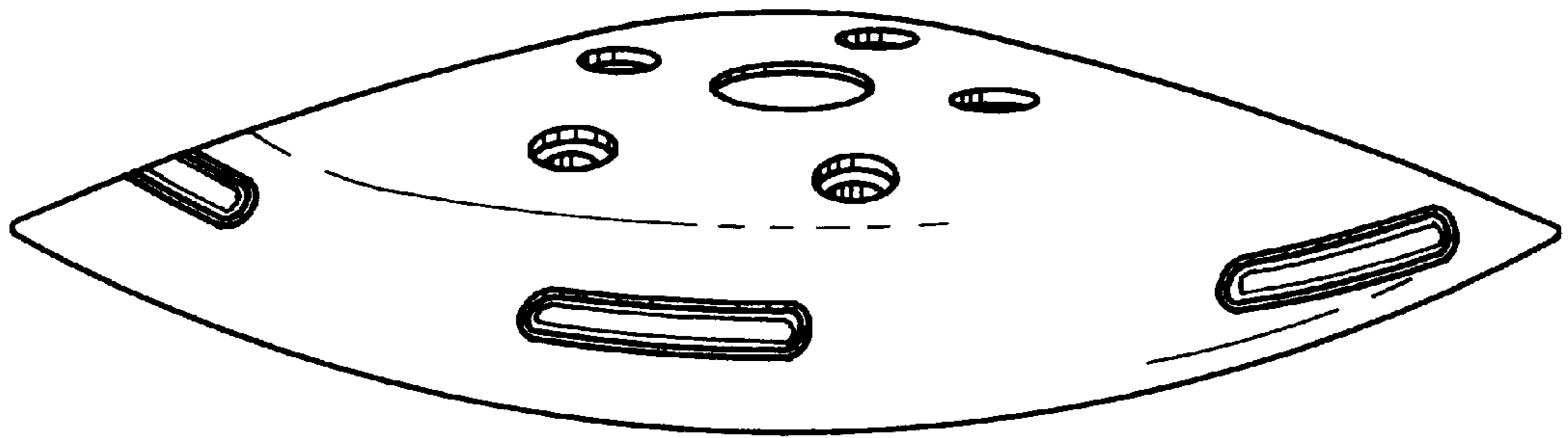


FIG. 1

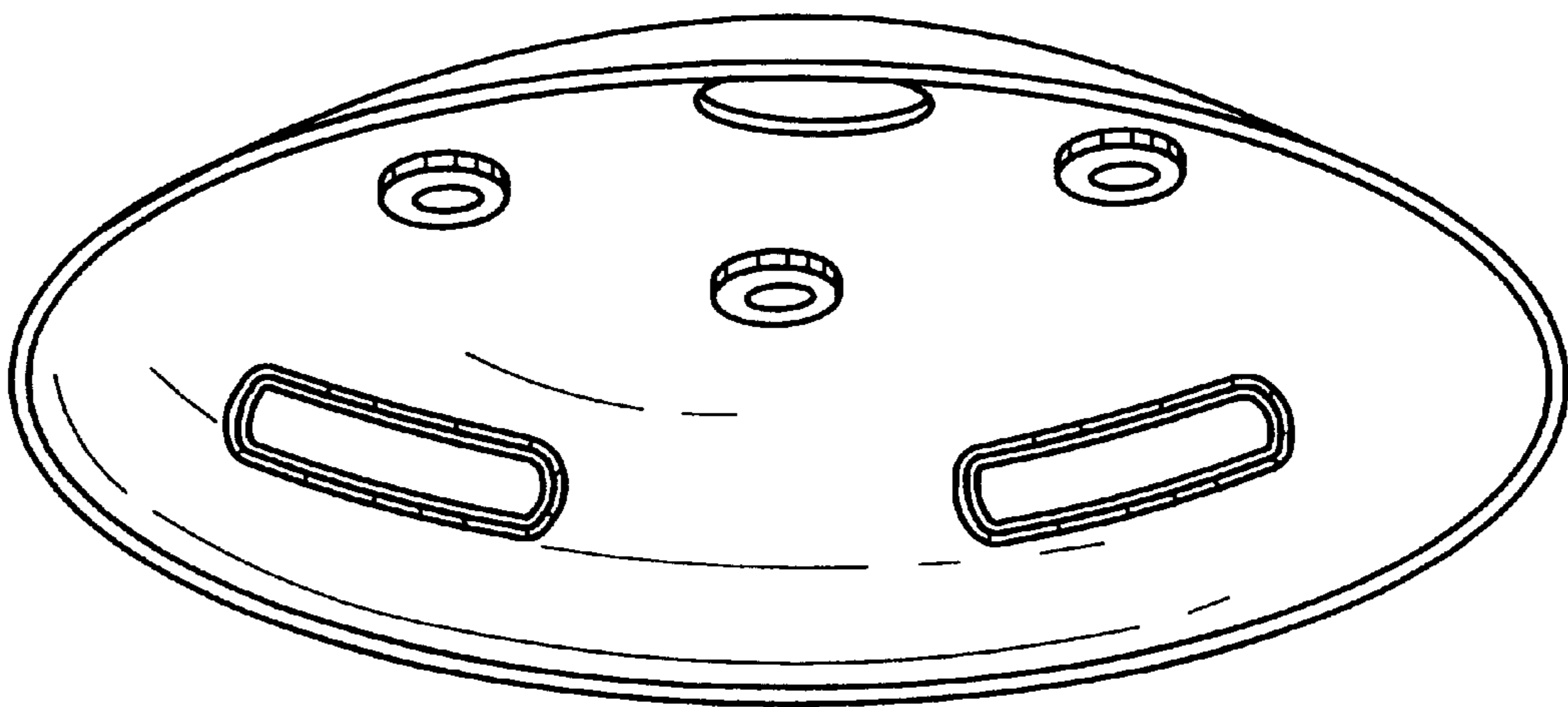


FIG. 2

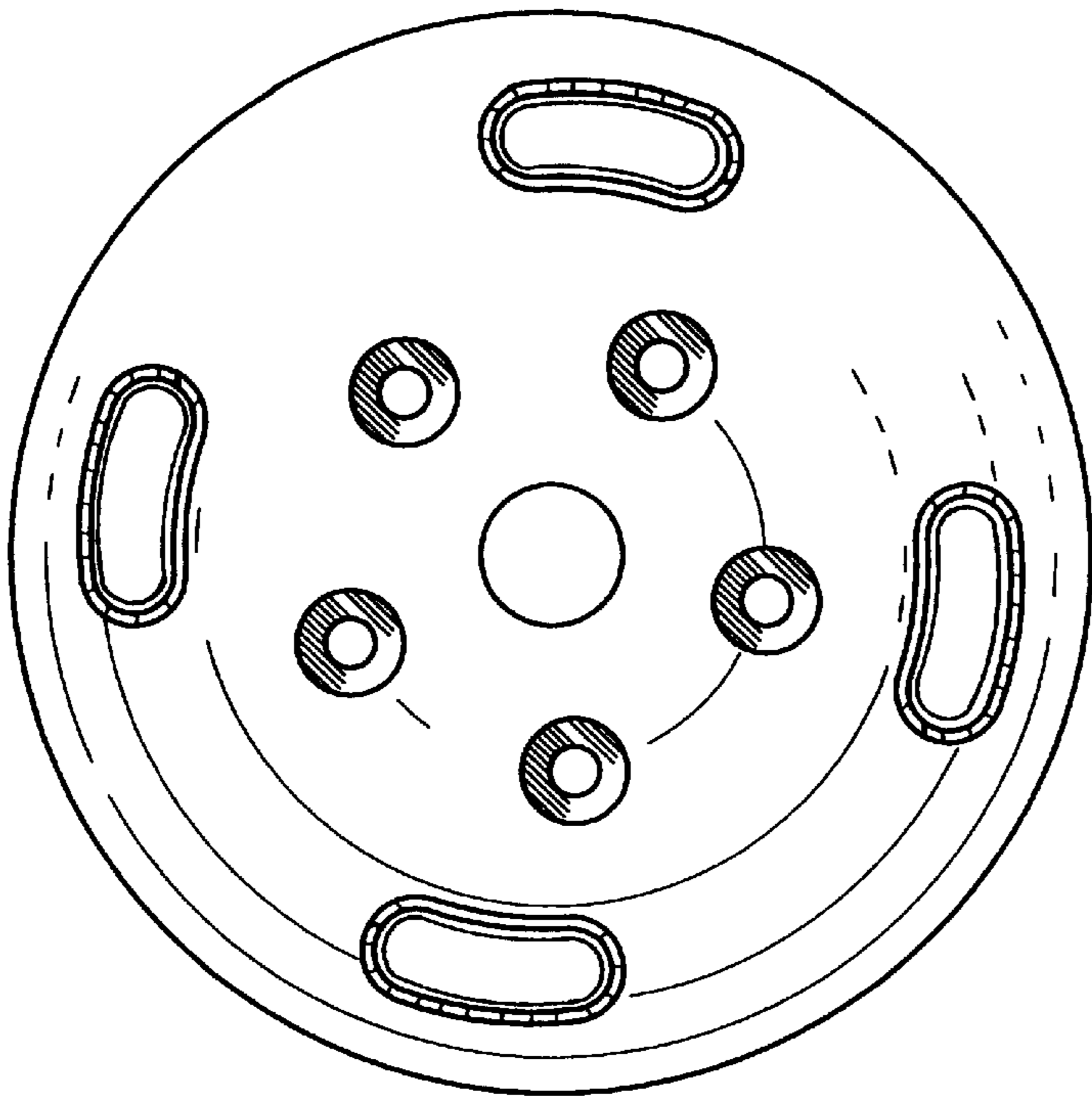


FIG. 3

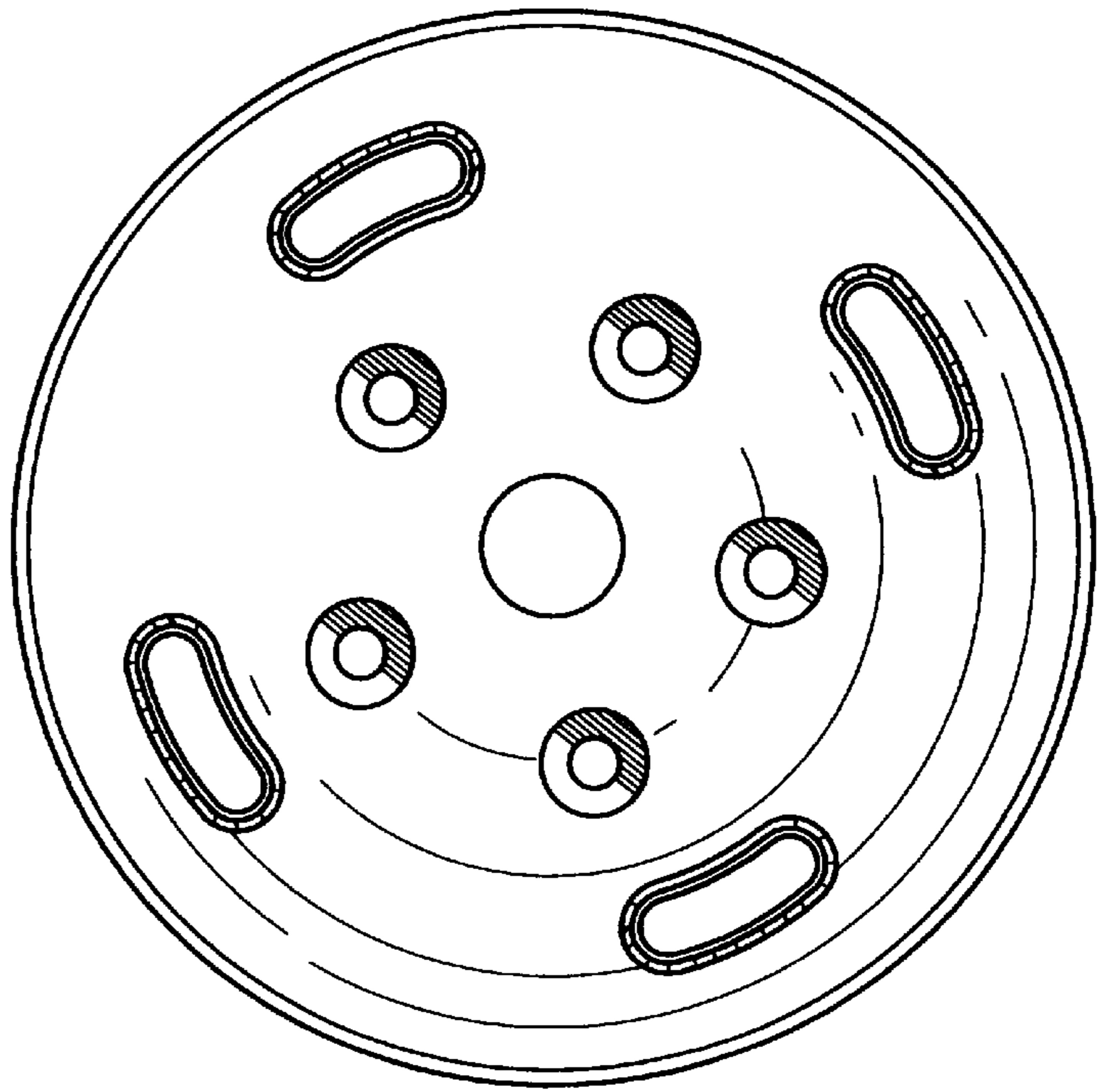


FIG. 4



FIG. 5

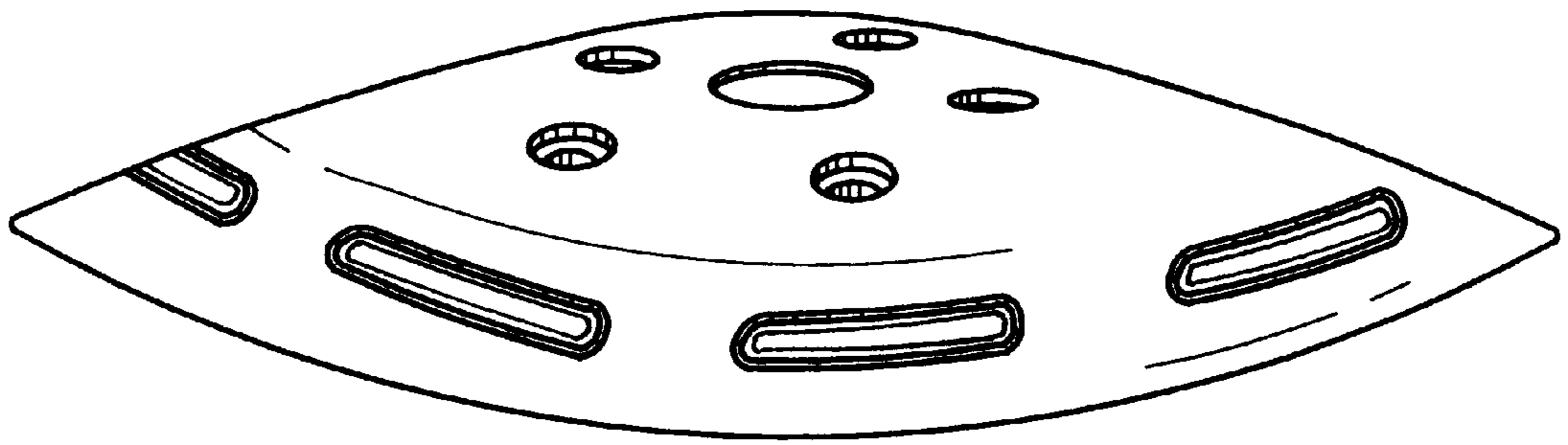


FIG. 6

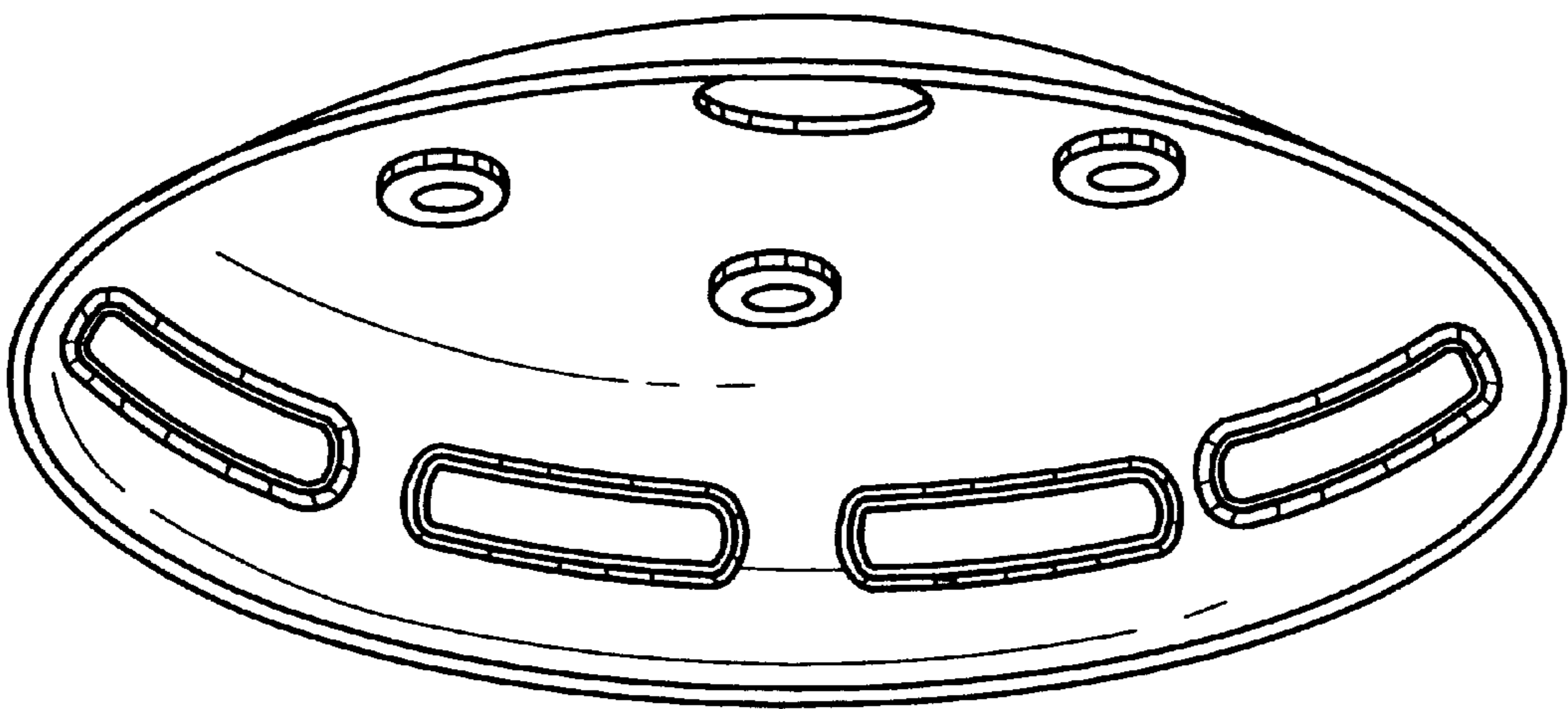


FIG. 7

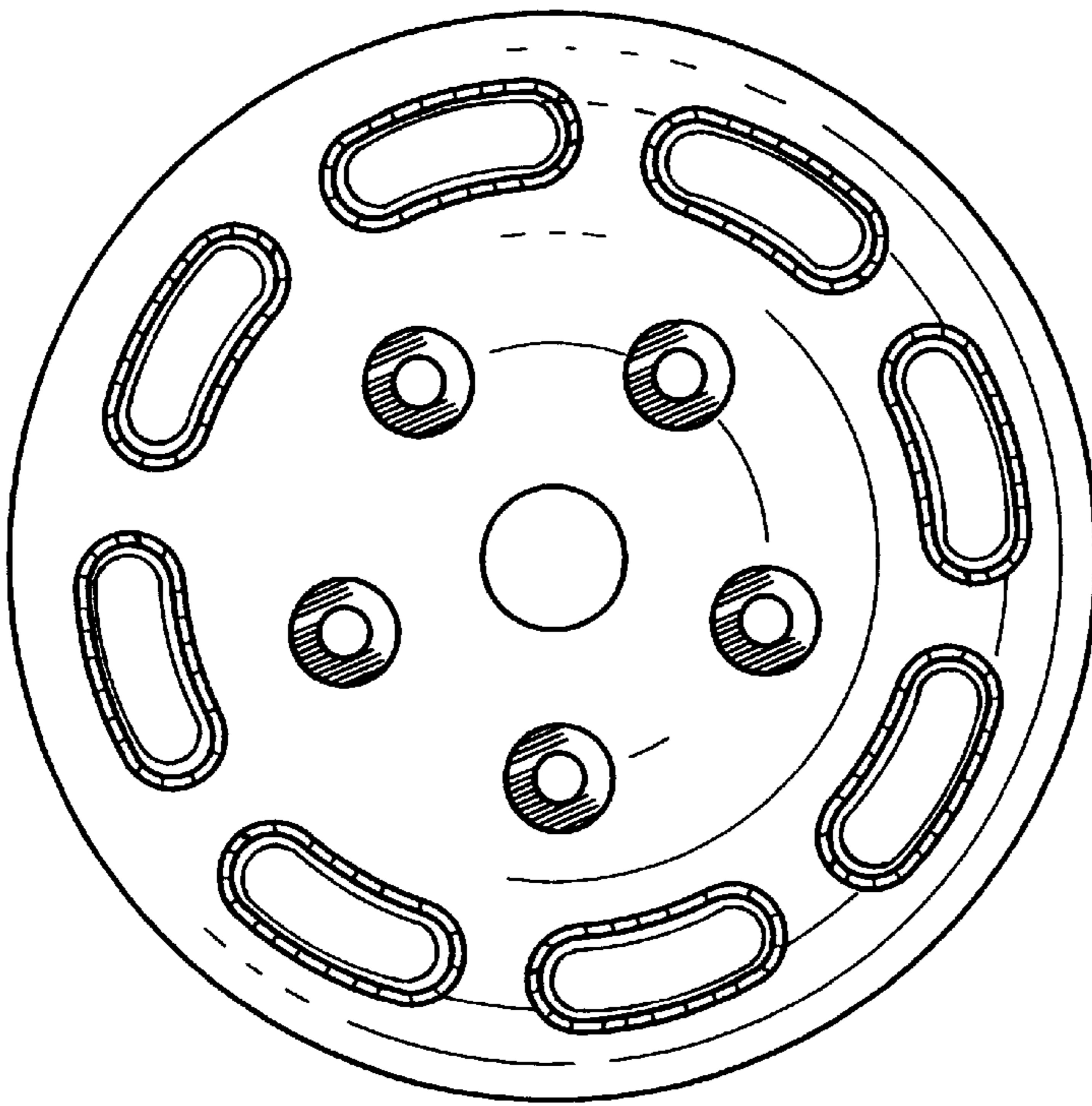


FIG. 8

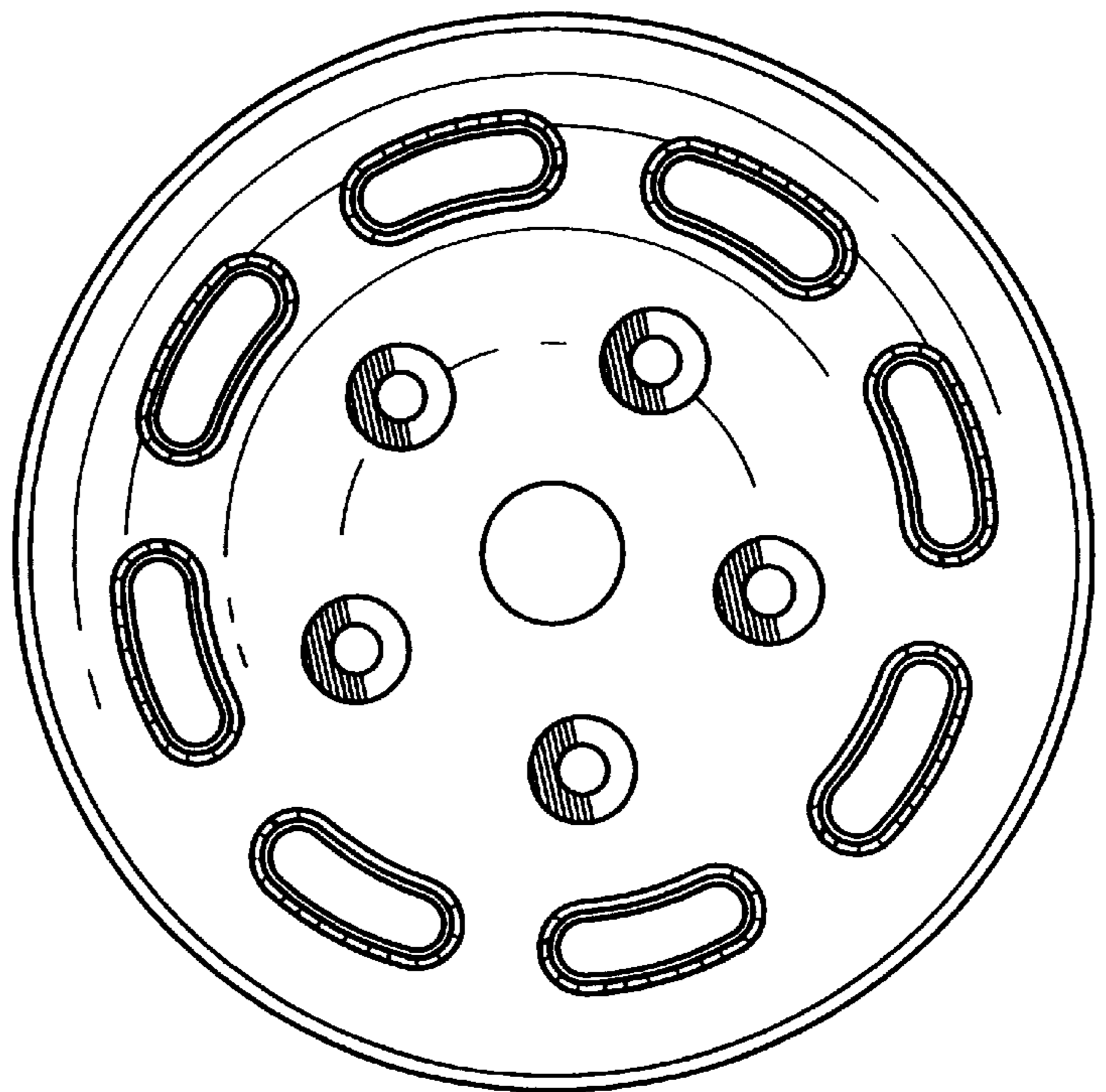


FIG. 9



FIG. 10