

US00D434702S

United States Patent [19]
Smith

[11] **Patent Number: Des. 434,702**

[45] **Date of Patent: ** Dec. 5, 2000**

[54] **MOTORCYCLE**

[76] Inventor: **Donald Jerry Smith**, 2117 97th Ave.
North, Brooklyn Park, Minn. 55444

[**] Term: **14 Years**

[21] Appl. No.: **29/091,542**

[22] Filed: **Jul. 31, 1998**

[51] **LOC (7) Cl.** **12-11**

[52] **U.S. Cl.** **D12/112**

[58] **Field of Search** D12/110, 114,
D12/218; 180/219; 280/288.4

[56] **References Cited**

U.S. PATENT DOCUMENTS

D. 227,315	6/1973	Willis	D12/114	X
D. 333,806	3/1993	Davidson	D12/110	
D. 388,746	1/1998	Davidson et al.	D12/110	
2,109,316	2/1938	Harley	180/219	X

Primary Examiner—Alan P. Douglas
Assistant Examiner—Linda Brooks
Attorney, Agent, or Firm—Thompson & Knight L.L.P.; Max Ciccarelli

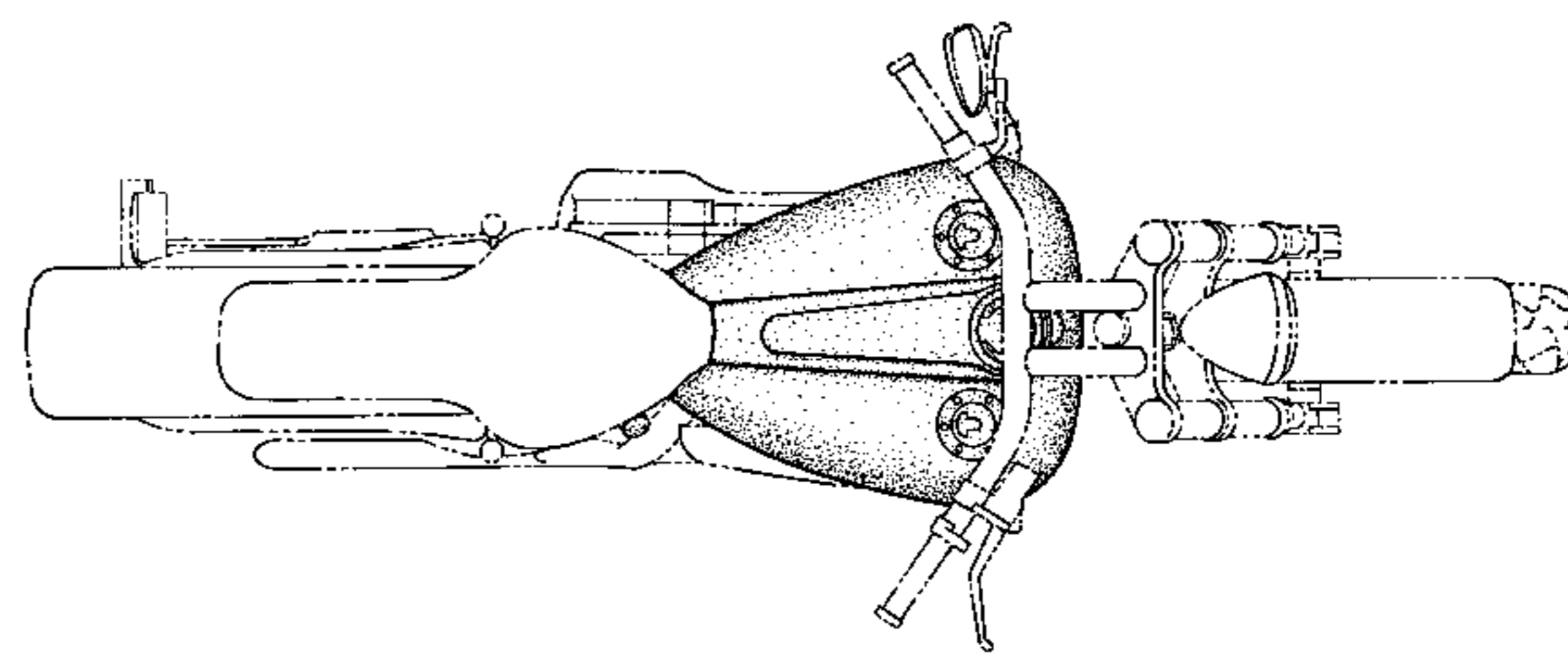
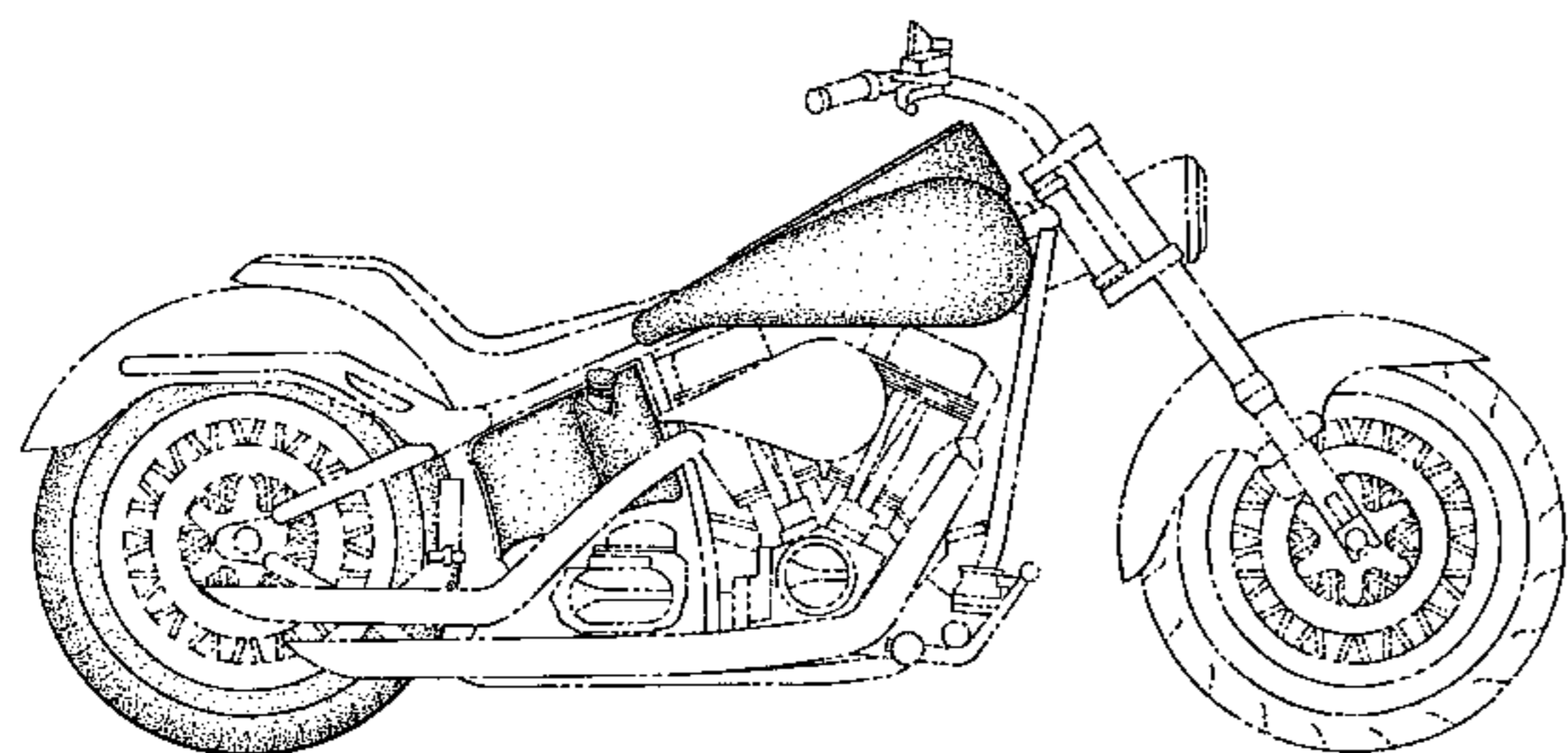
[57] **CLAIM**

The ornamental design for a motorcycle, as shown and described.

DESCRIPTION

FIG. 1 is a right view of the motorcycle.
FIG. 2 is a top view of the motorcycle.
FIG. 3 is a front view of the motorcycle.
FIG. 4 is a left view of the motorcycle; and,
FIG. 5 is a rear view of the motorcycle.
The broken line showing of the rest of the motorcycle is for illustrative purposes only and forms no part of the claimed design.

1 Claim, 4 Drawing Sheets



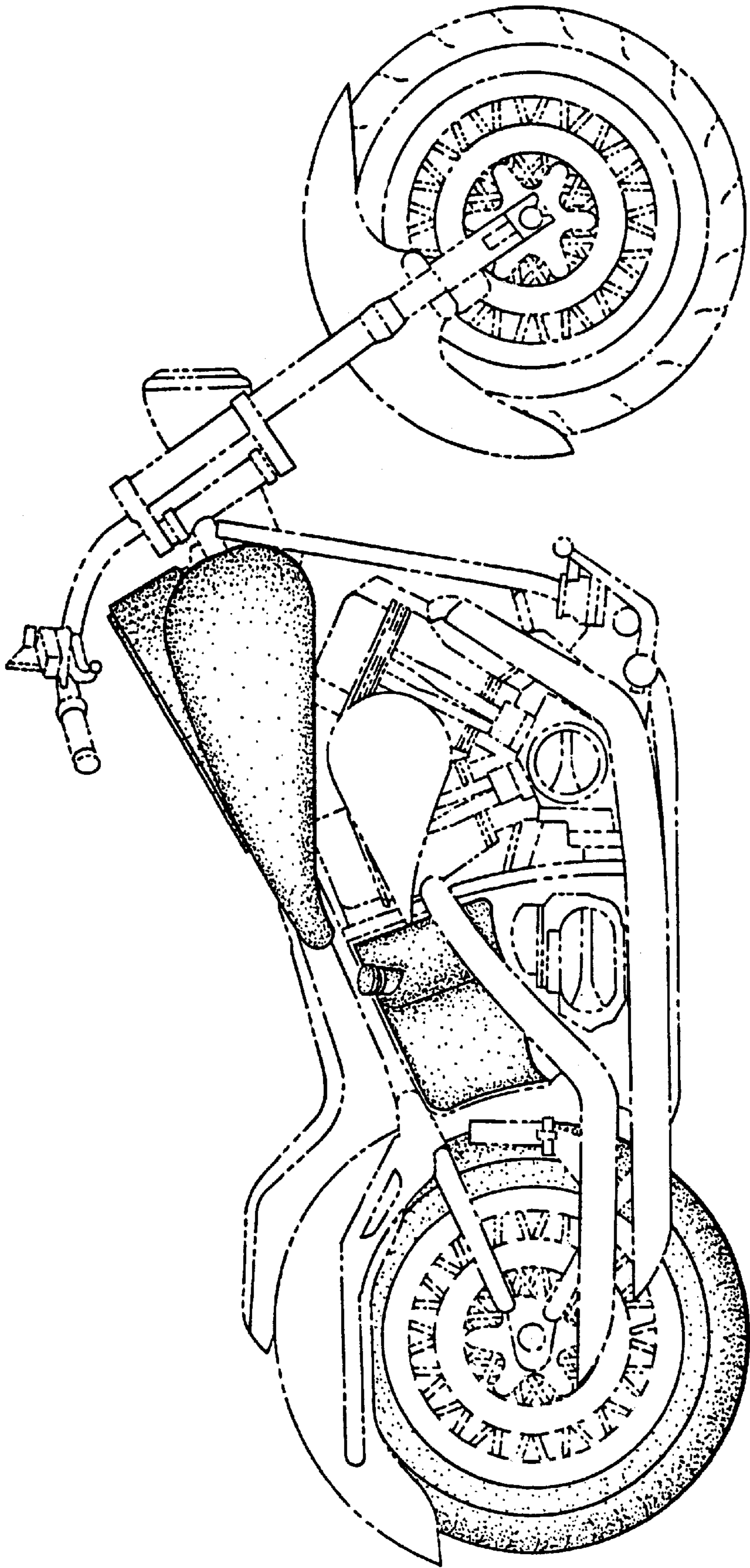


FIG. 1

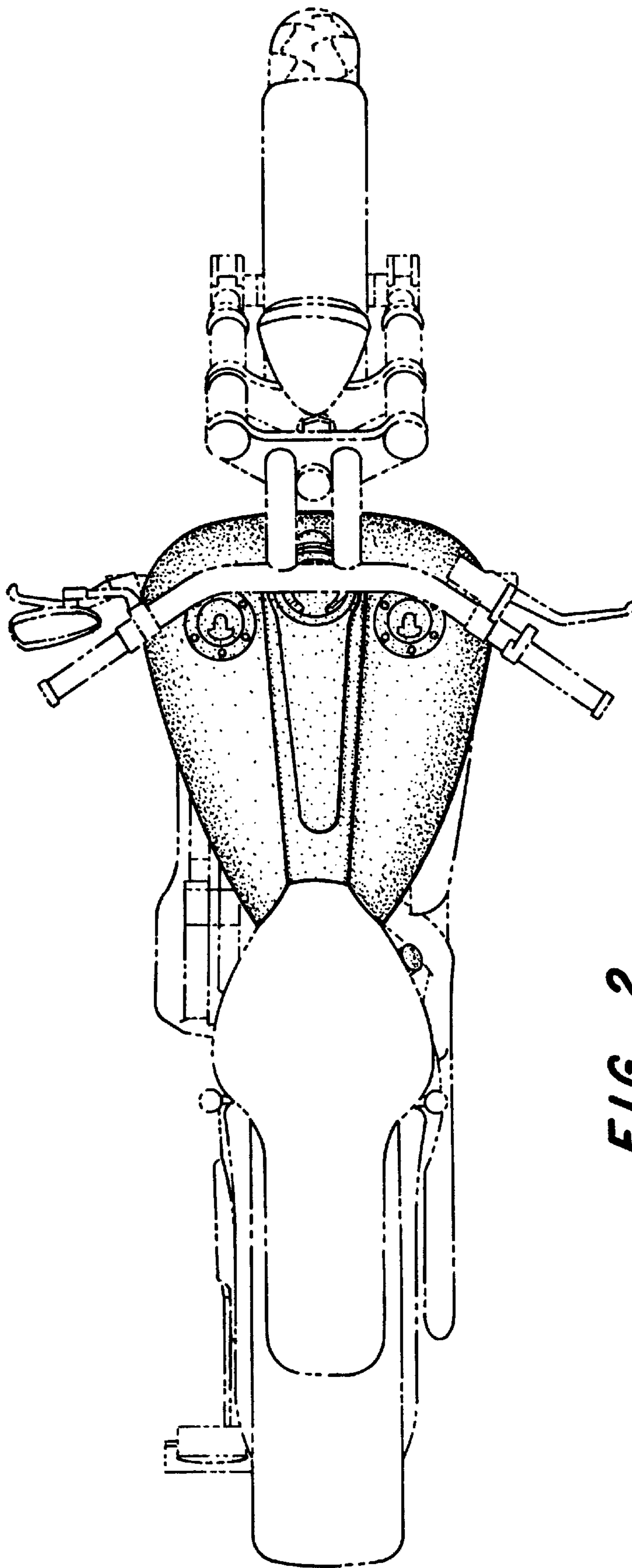


FIG. 2

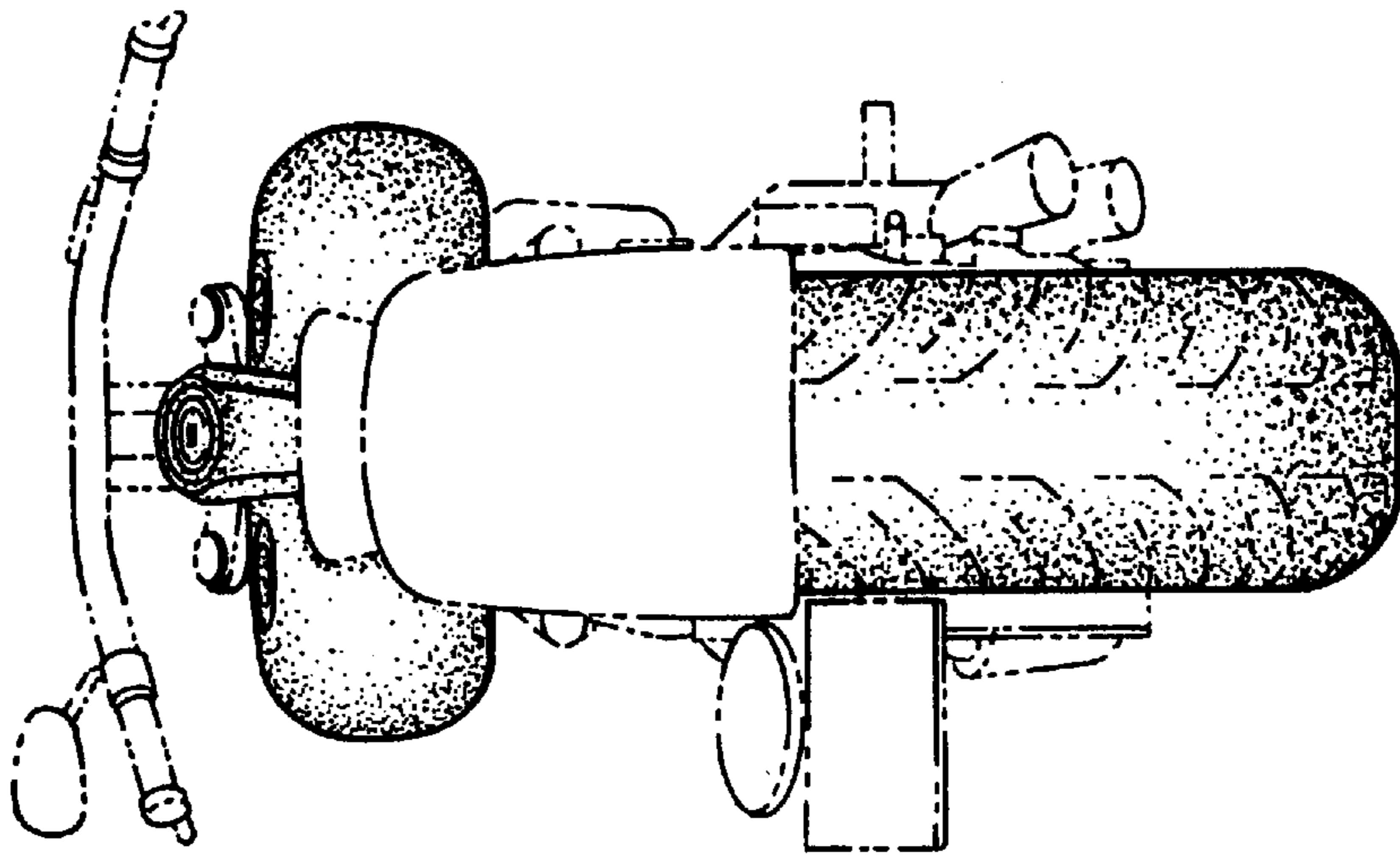


FIG. 5

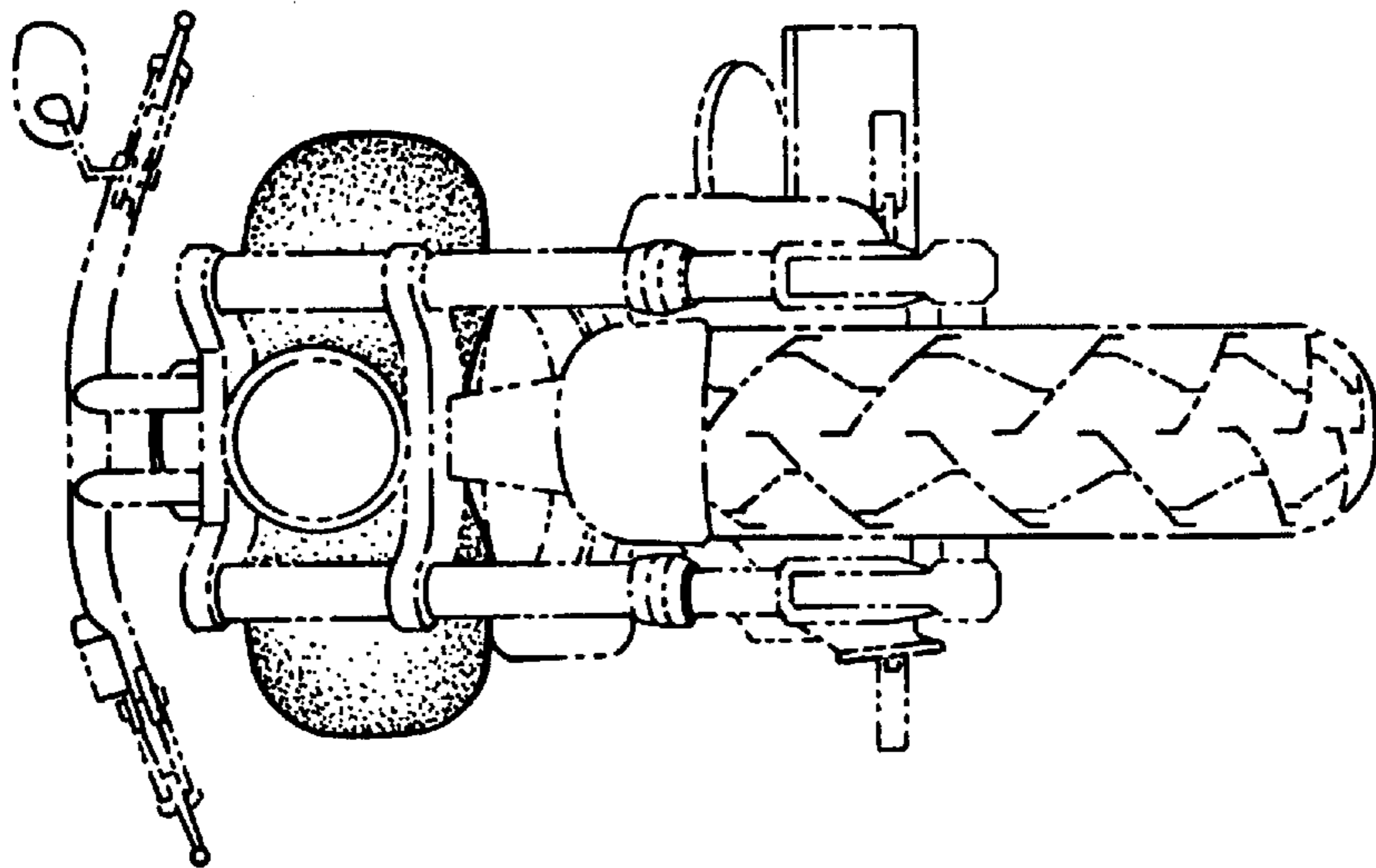


FIG. 3

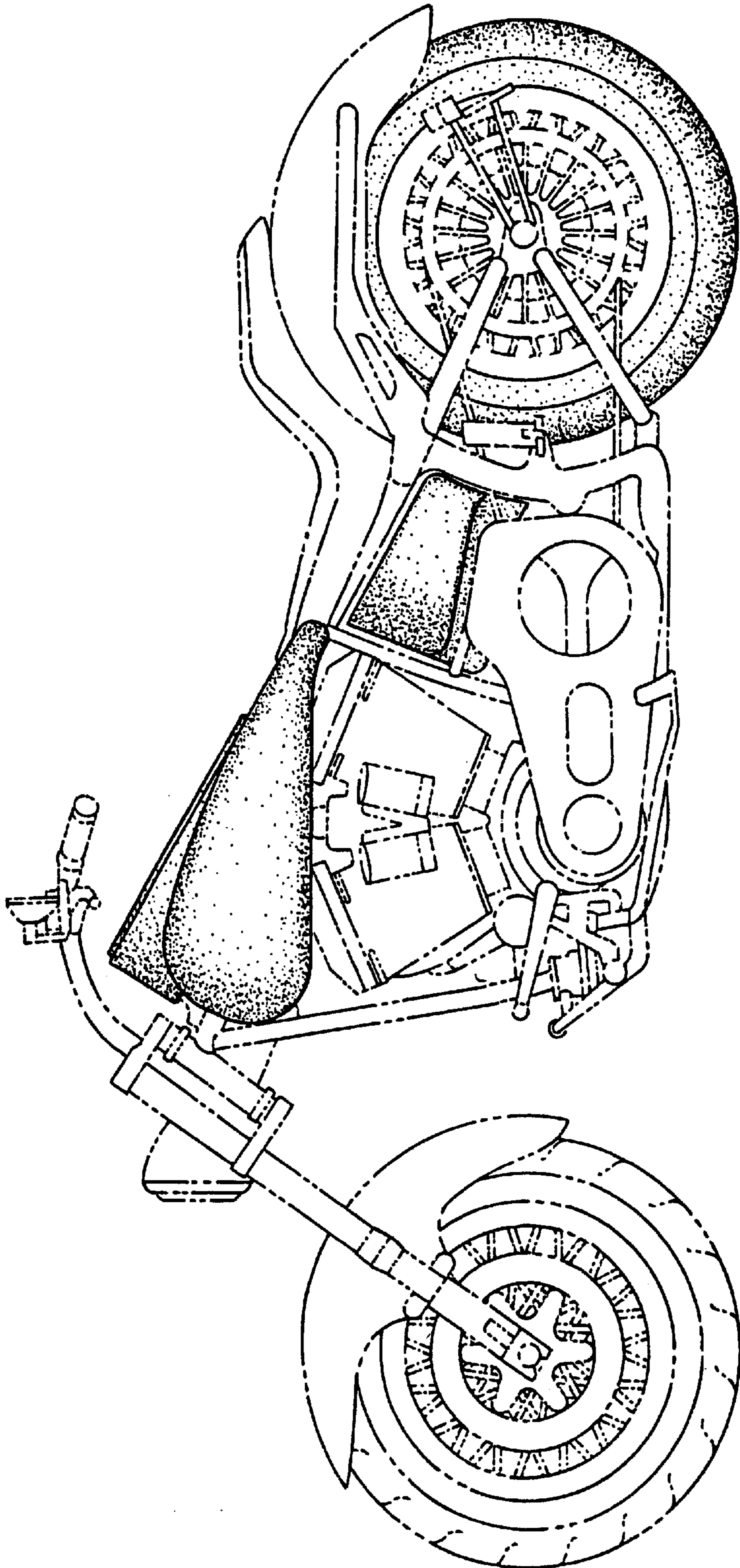


FIG. 4