



US00D434701S

United States Patent [19]
Patmont

[11] **Patent Number: Des. 434,701**

[45] **Date of Patent: ** Dec. 5, 2000**

[54] **TRAILER ATTACHMENT FOR A SCOOTER**

D. 377,156 1/1997 Muir D12/101

[76] Inventor: **Gabriel S. Patmont**, 2801 Whitney Dr.,
Pleasanton, Calif. 94588

Primary Examiner—Melody N. Brown
Attorney, Agent, or Firm—Shapiro Buchman Provine &
Patton LLP; Mitchell S. Rosenfeld

[**] Term: **14 Years**

[57] **CLAIM**

[21] Appl. No.: **29/119,717**

The ornamental design for a trailer attachment for a scooter,
as shown and described.

[22] Filed: **Mar. 3, 2000**

[51] **LOC (7) Cl.** **12-10**

[52] **U.S. Cl.** **D12/101**

[58] **Field of Search** D12/101, 102;
280/63, 789, 482; 296/171, 173

DESCRIPTION

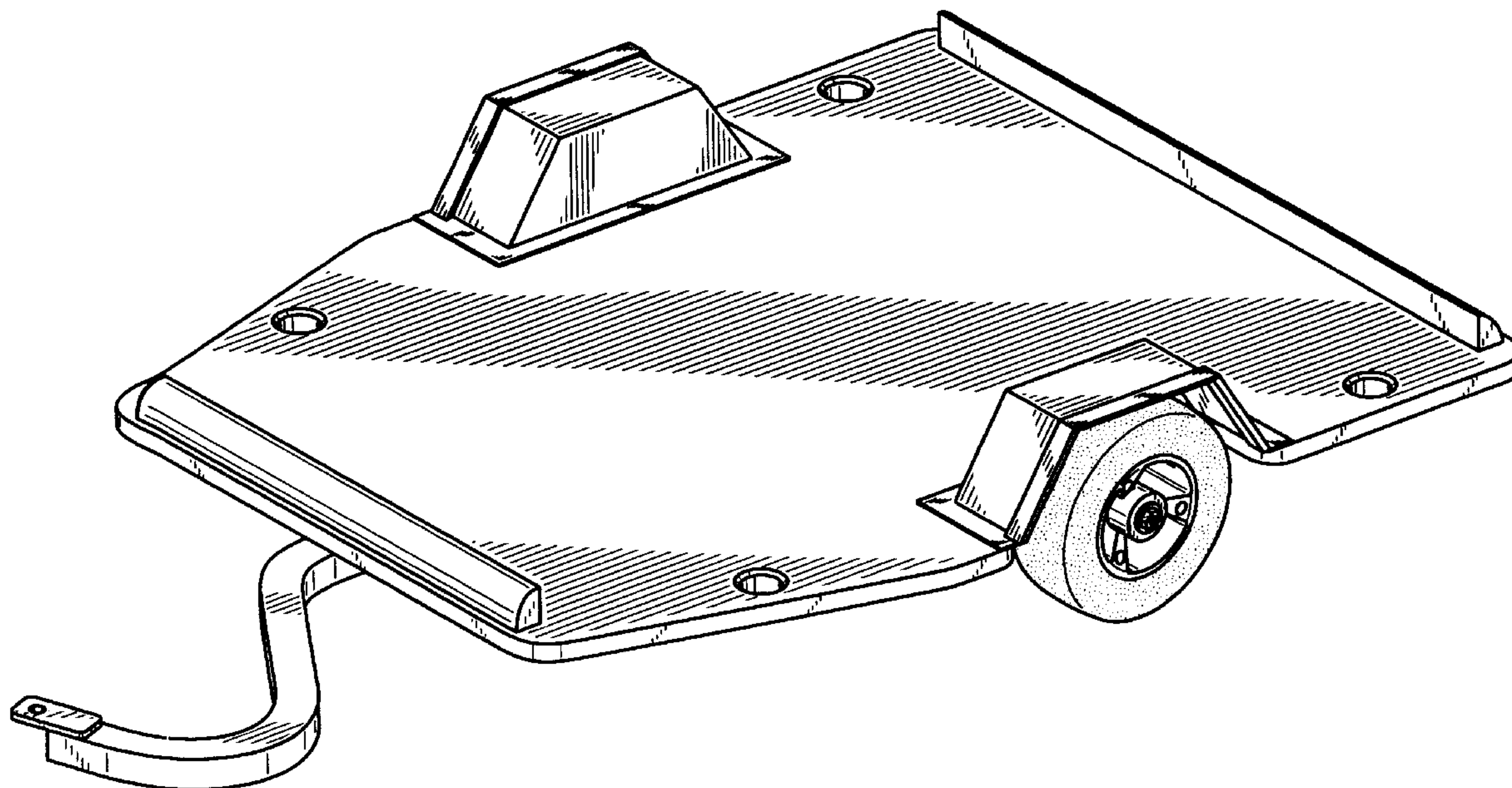
FIG. 1 is a front perspective view of a trailer attachment for a scooter showing my new design;
FIG. 2 is a top plan view;
FIG. 3 is a front elevational view;
FIG. 4 is a right side elevational view;
FIG. 5 is a rear elevational view;
FIG. 6 is a left side elevational view; and,
FIG. 7 is a bottom plan view.

[56] **References Cited**

U.S. PATENT DOCUMENTS

- D. 312,990 12/1990 Gerdes D12/101
- D. 322,235 12/1991 Bell D12/101
- D. 375,921 11/1996 Kunkle D12/101

1 Claim, 5 Drawing Sheets



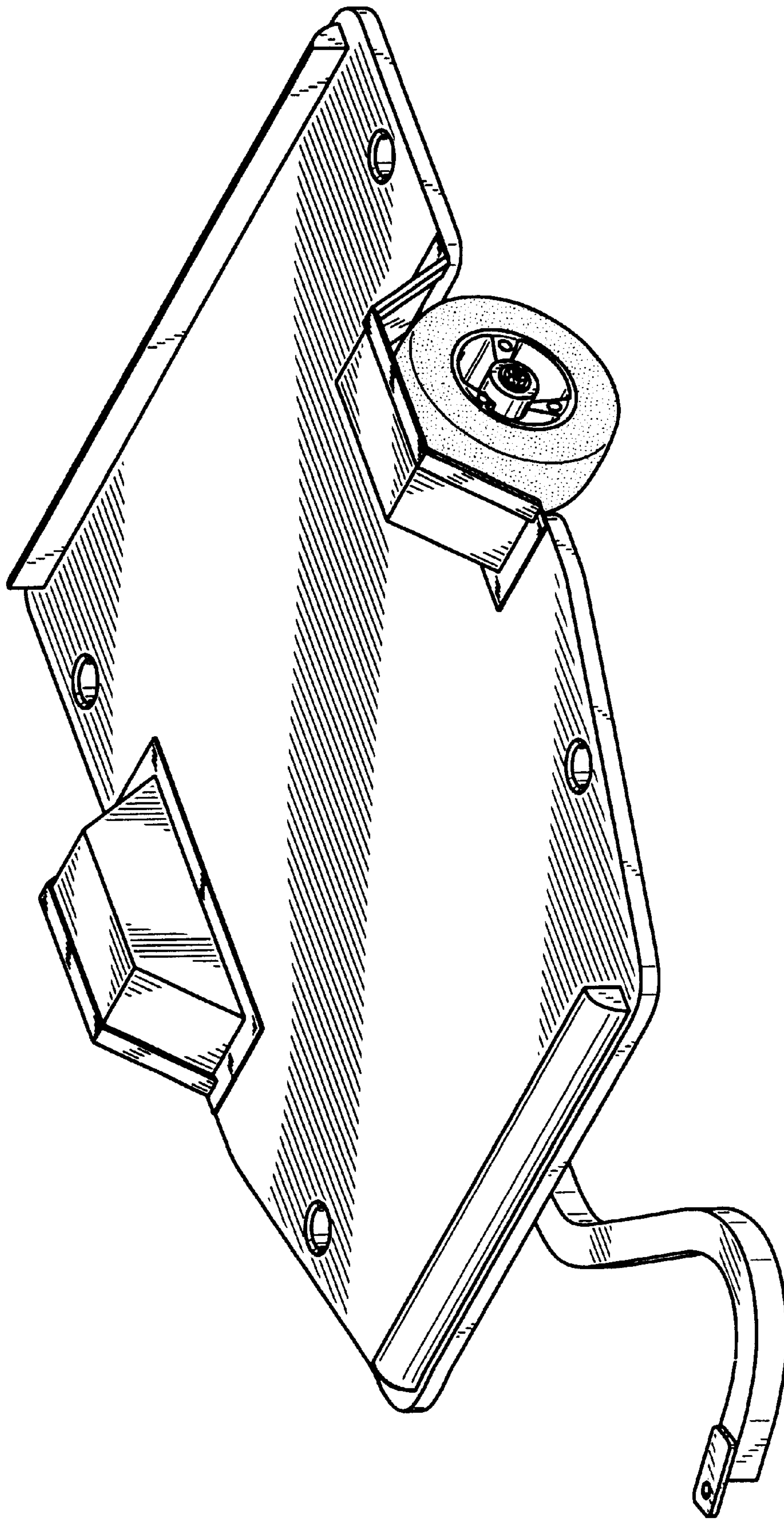


FIG. 1

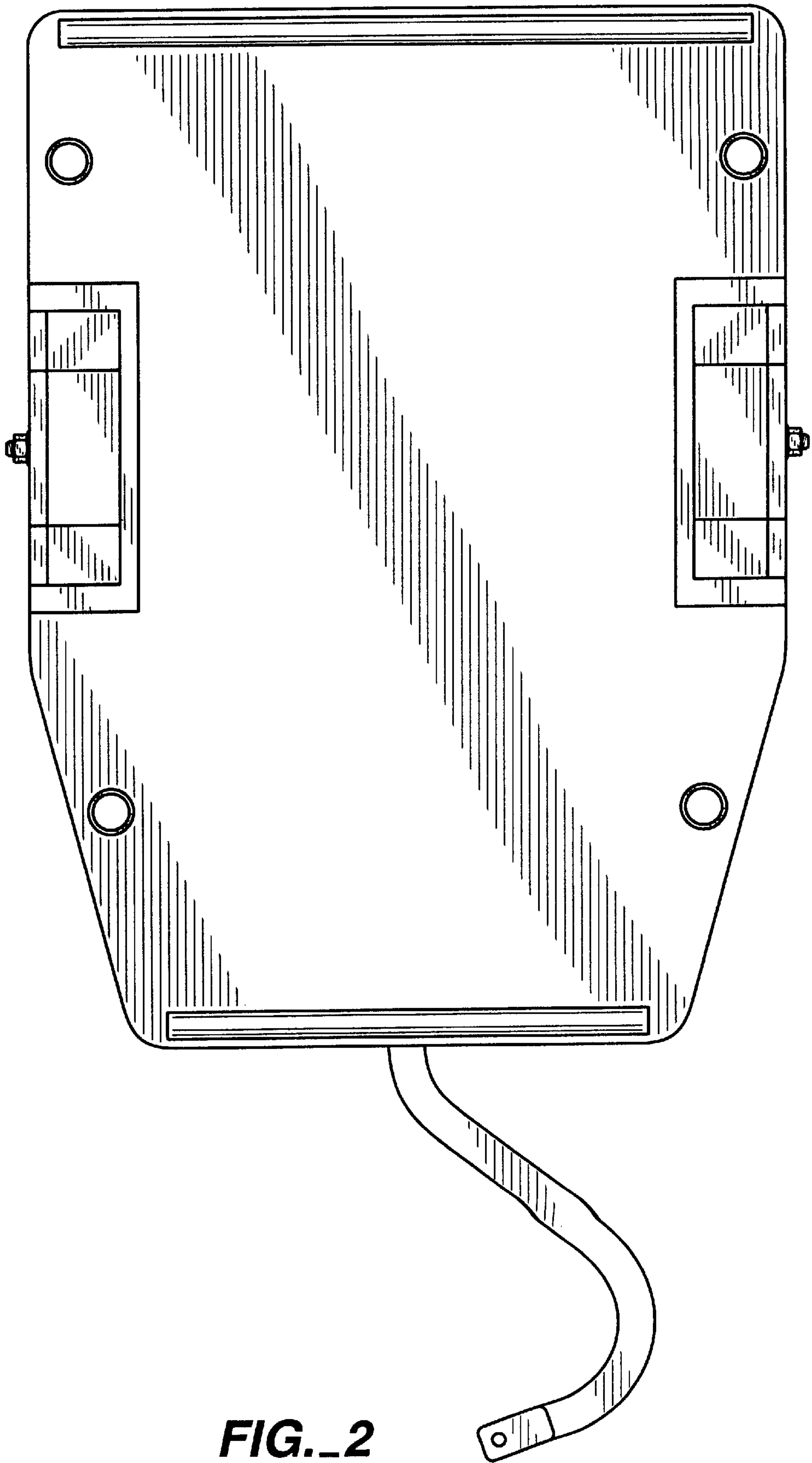


FIG. 2

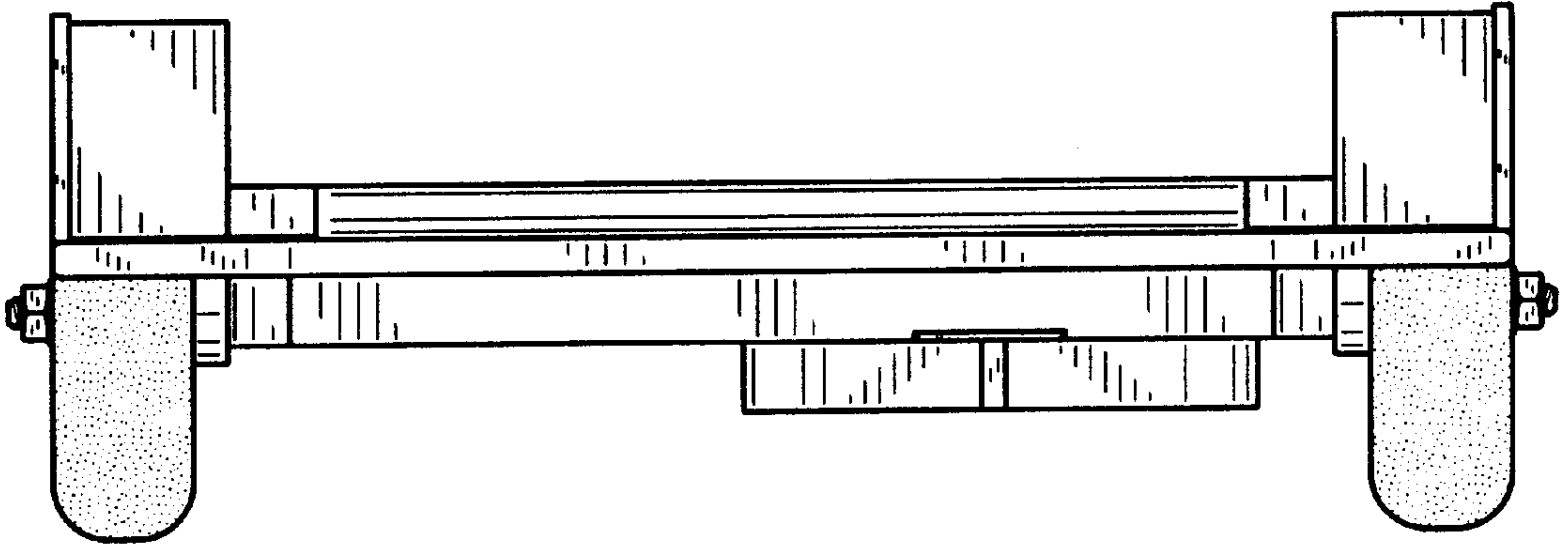


FIG._3

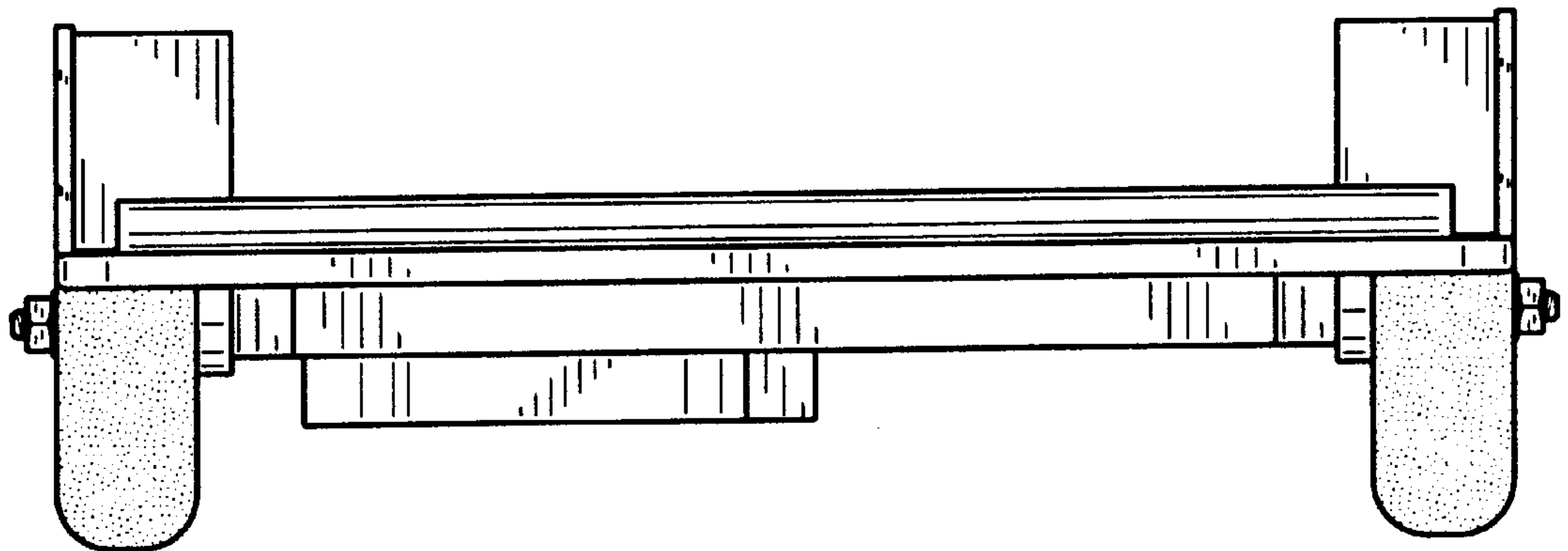
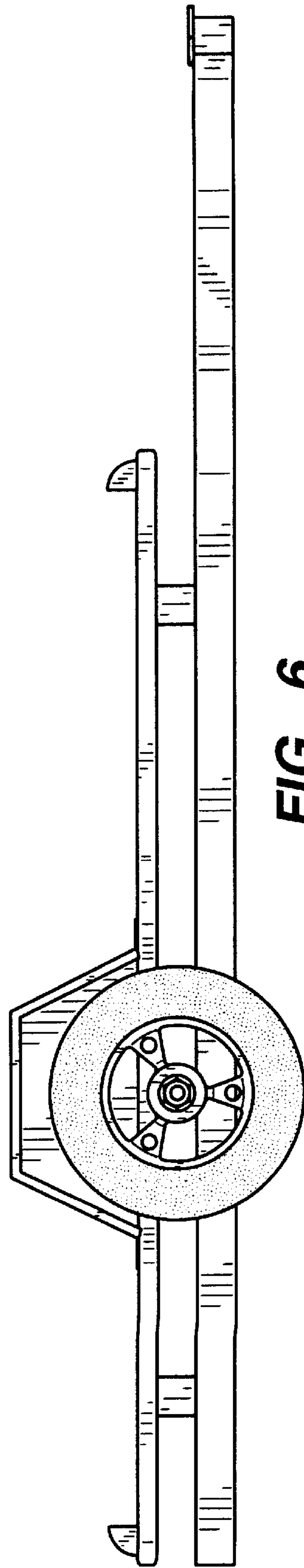
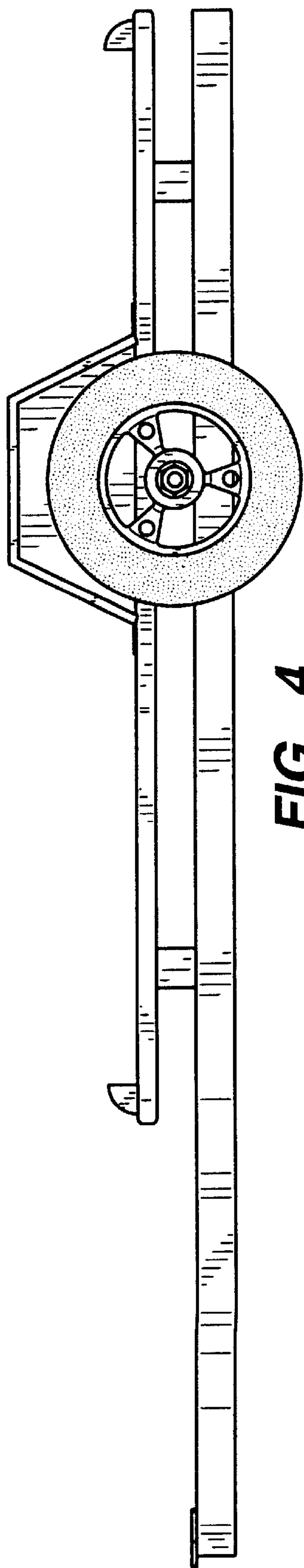


FIG._5



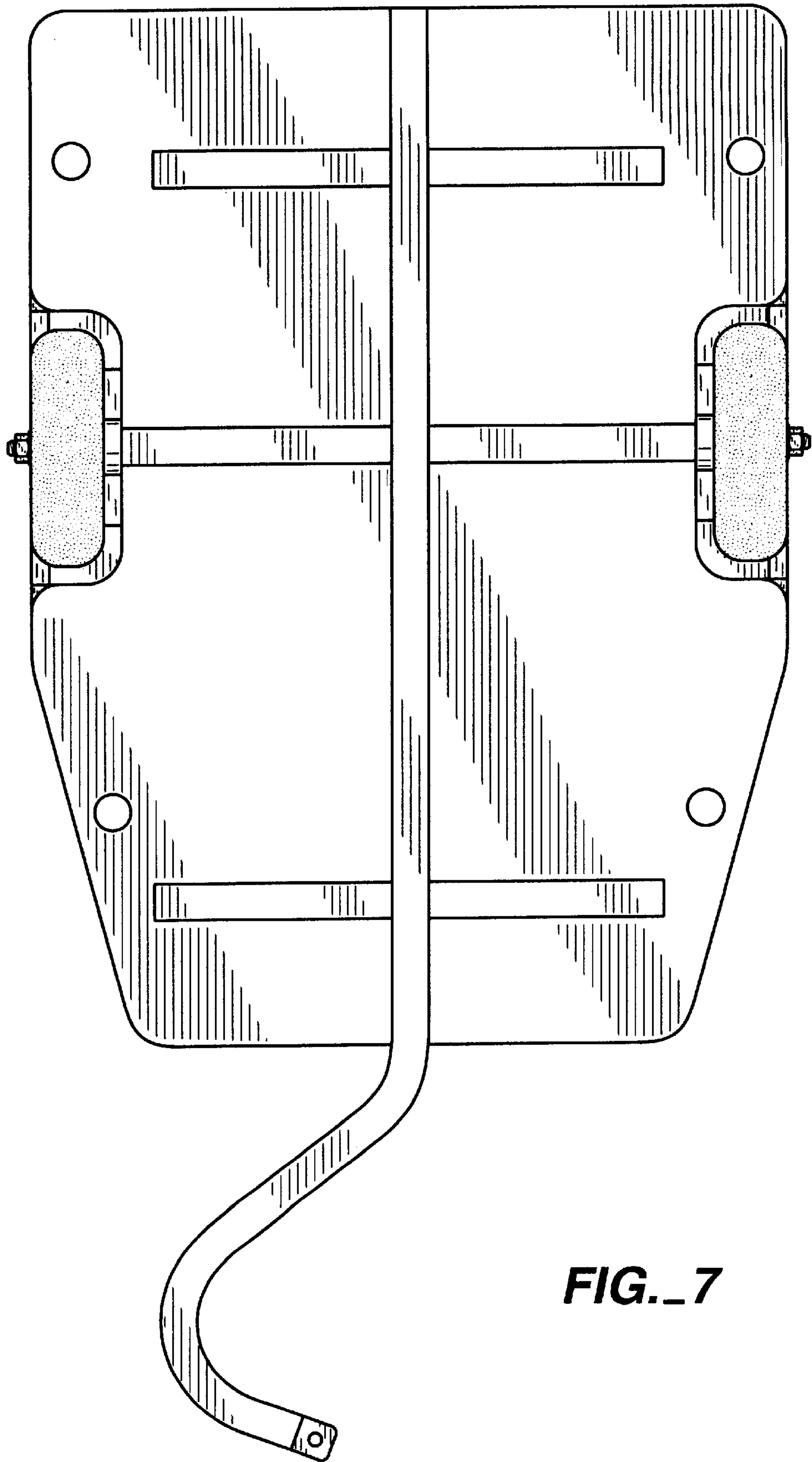


FIG. 7