



US00D434697S

# United States Patent [19]

[11] **Patent Number: Des. 434,697**

**Dachtera**

[45] **Date of Patent: \*\* Dec. 5, 2000**

[54] **PATIO TABLE PLANTER**

D. 369,717 5/1996 Chiba ..... D7/354  
D. 382,511 8/1997 Azarian ..... D11/143

[76] Inventor: **Craig S. Dachtera**, 10425 Kismet Ave.,  
Stillwater, Minn. 55082

*Primary Examiner*—Doris V. Coles  
*Assistant Examiner*—Mimosa De  
*Attorney, Agent, or Firm*—D. L. Tschida

[\*\*] Term: **14 Years**

[21] Appl. No.: **29/112,390**

[57] **CLAIM**

[22] Filed: **Oct. 15, 1999**

The ornamental design for a patio table planter, as shown and described.

[51] **LOC (7) Cl.** ..... **11-02**

**DESCRIPTION**

[52] **U.S. Cl.** ..... **D11/152**

[58] **Field of Search** ..... D11/143, 144,  
D11/152, 153, 154; D7/354, 359, 547, 610,  
553.6; 47/66.2, 69, 71; 206/557, 423; 248/27.8

FIG. 1 is a perspective drawing showing front and top views of my new design for a patio table planter and wherein the matter shown in dashed line comprises no part of the invention;

[56] **References Cited**

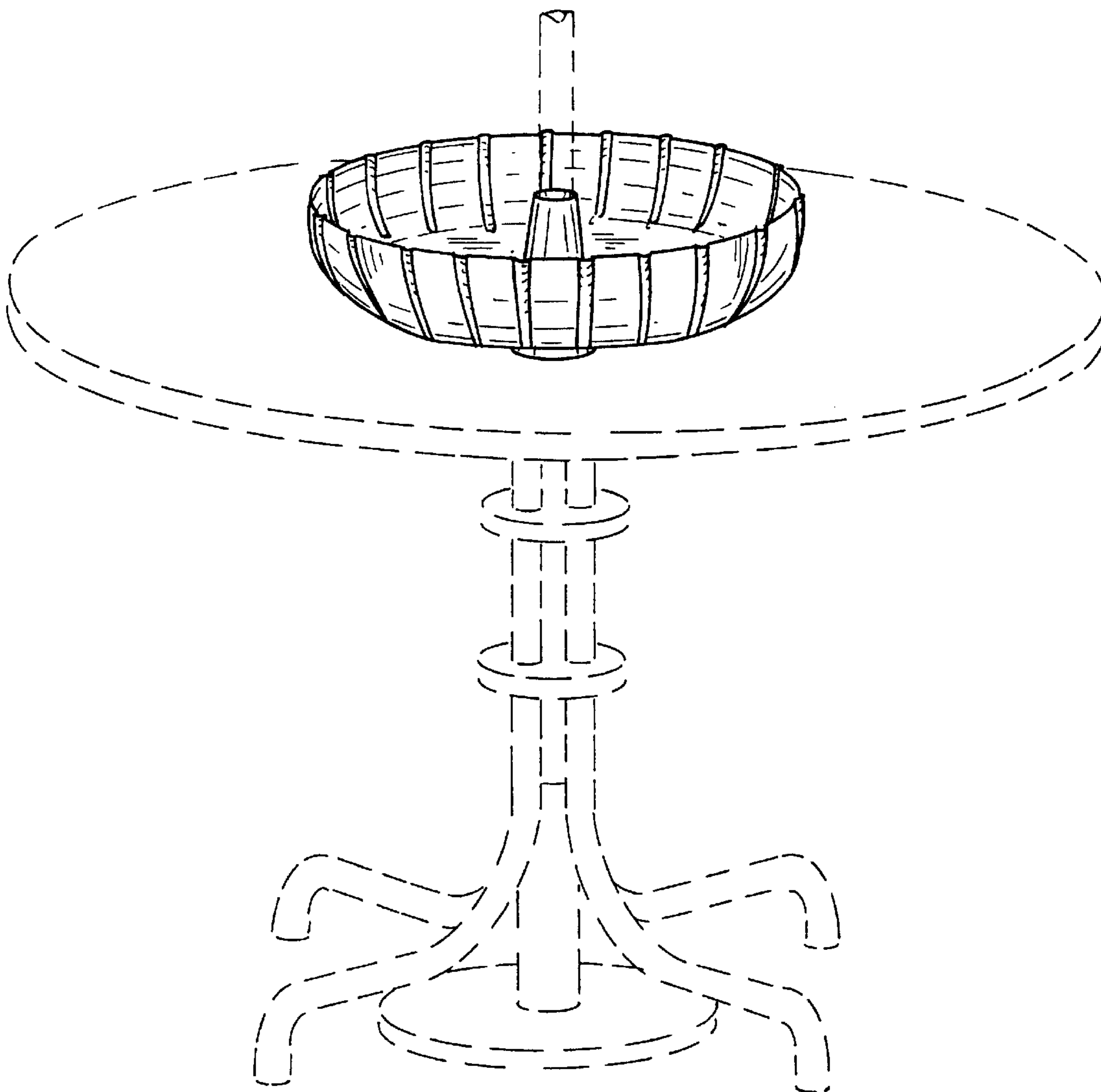
FIG. 2 is a front view thereof and wherein the rear and right and left side views are identical;

**U.S. PATENT DOCUMENTS**

FIG. 3 is a top view thereof; and,  
FIG. 4 is a bottom view thereof.

- D. 278,521 4/1985 Baird et al. .... D11/143
- D. 304,658 11/1989 Mattei ..... D7/553.6
- D. 307,231 4/1990 Ciaccio ..... D7/354

**1 Claim, 4 Drawing Sheets**



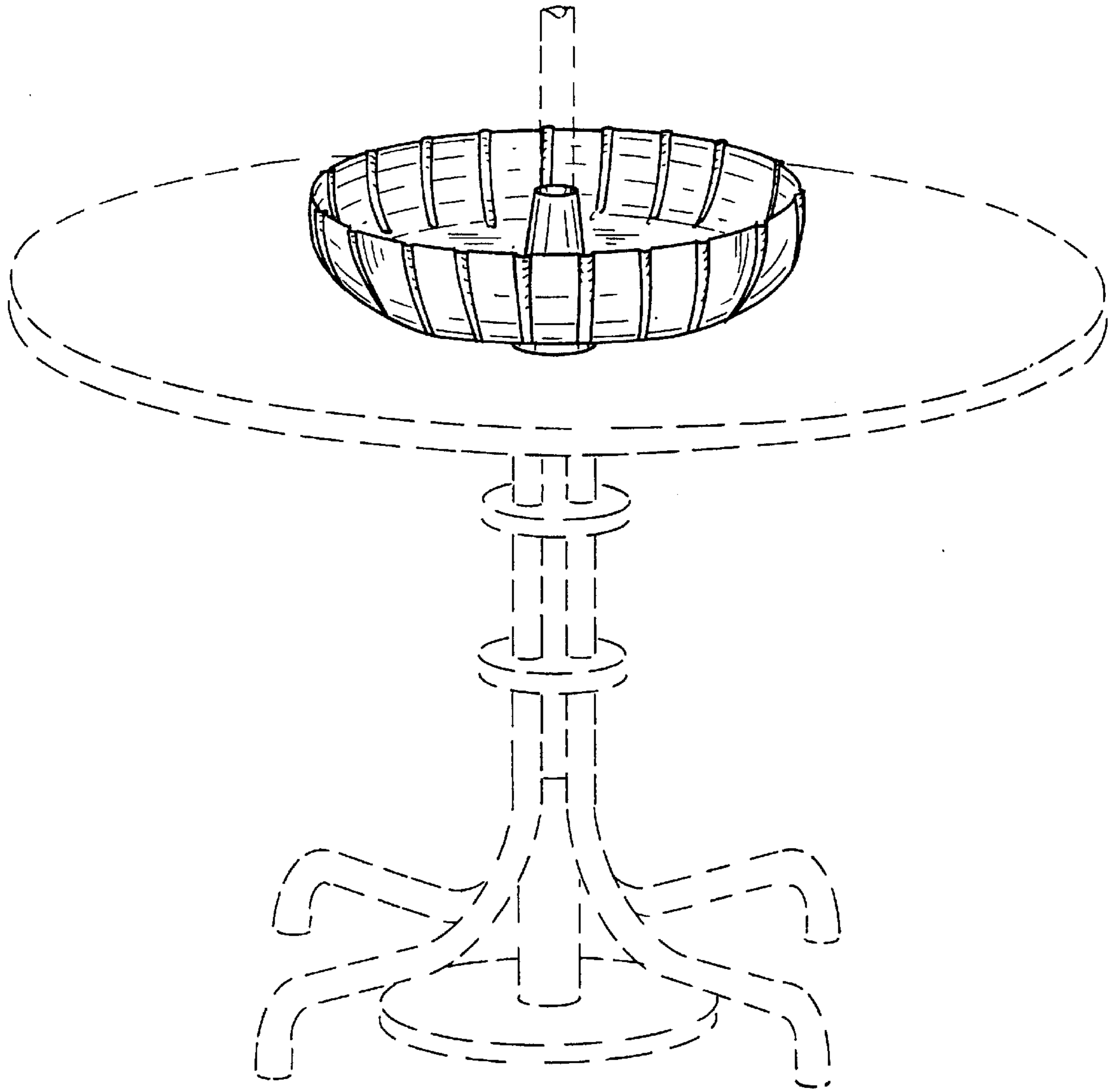
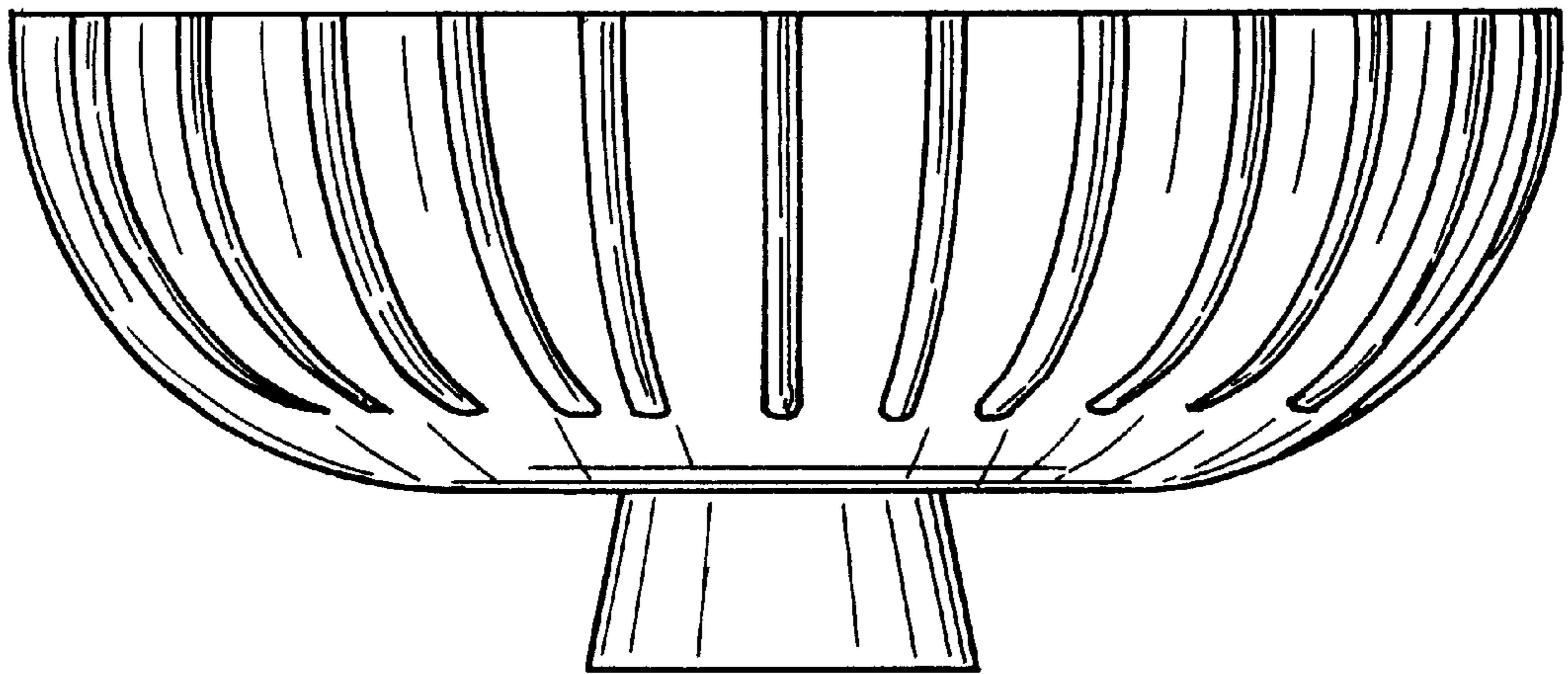
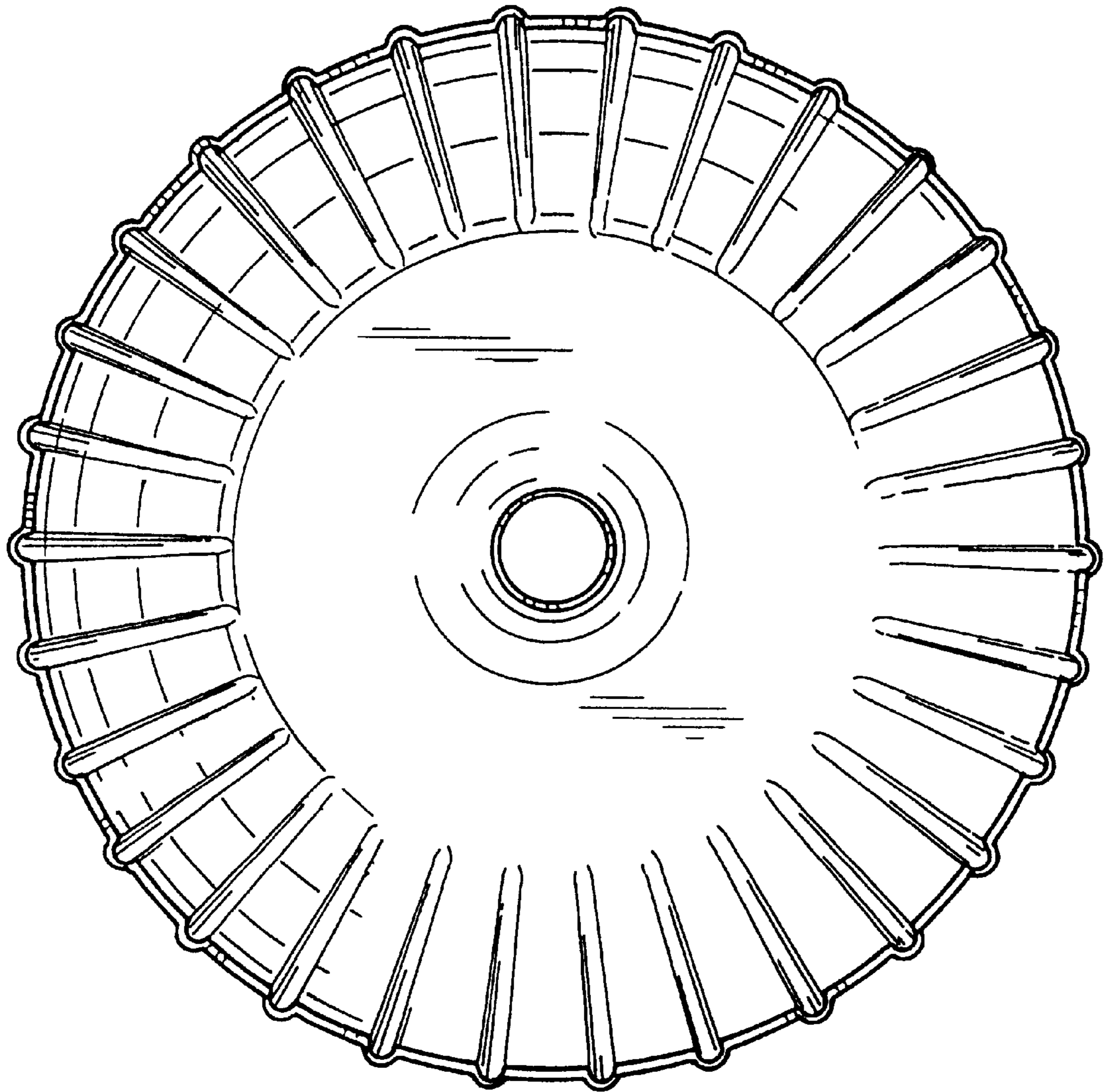


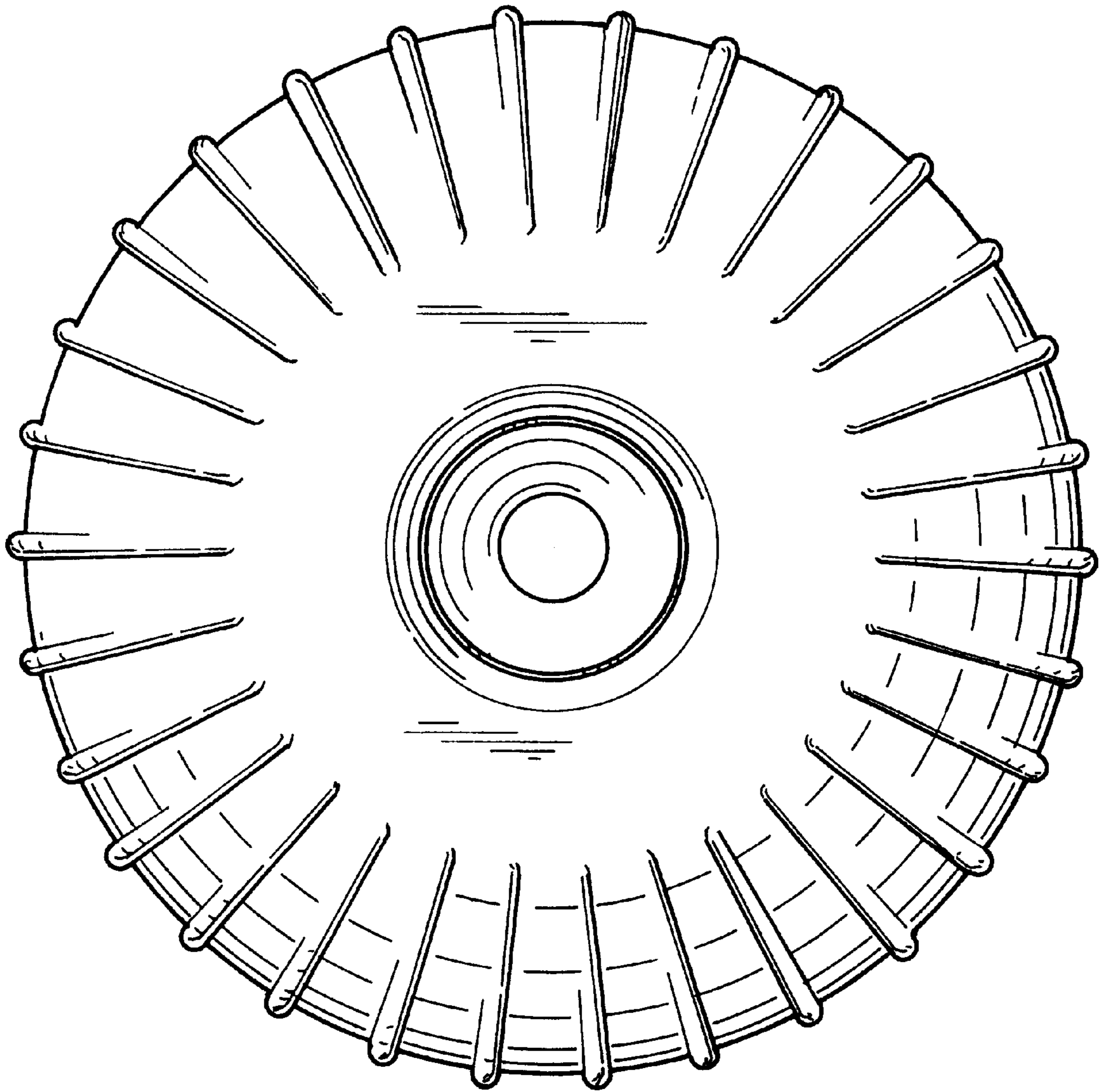
FIG. 1



*FIG. 2*



**FIG. 3**



**FIG. 4**