

US00D434693S

United States Patent [19]
Kaplan

[11] **Patent Number: Des. 434,693**

[45] **Date of Patent: ** Dec. 5, 2000**

[54] **MULTI-STONE GEM SETTING**

[75] Inventor: **Gagi Kaplan**, Tenafly, N.J.

[73] Assignee: **Merit Diamond Corp.**, New York, N.Y.

[**] Term: **14 Years**

[21] Appl. No.: **29/108,086**

[22] Filed: **Jul. 16, 1999**

[51] **LOC (7) Cl.** **11-01**

[52] **U.S. Cl.** **D11/91**

[58] **Field of Search** D11/1, 2, 7, 8,
D11/26, 27, 30, 33-35, 91, 92, 89; 63/26,
27, 15, 29.1, 14.3, 12

[56] **References Cited**

U.S. PATENT DOCUMENTS

D. 248,286	6/1978	Barr	D11/33
D. 248,741	8/1978	Barr	D11/33
3,643,467	2/1972	Postel	63/29.1
3,805,549	4/1974	Nielsen	63/31
4,170,118	10/1979	Block	63/12
4,793,156	12/1988	Pence	63/26

Primary Examiner—Ralf Seifert

Attorney, Agent, or Firm—White & Case LLP

[57] **CLAIM**

The ornamental design for a multi-stone gem setting, as shown and described.

DESCRIPTION

FIG. 1 is a top view of the multi-stone gem setting showing three marquise diamonds surrounding one trillion diamond according to the invention.

FIG. 2 is a bottom view of the multi-stone gem setting of FIG. 1.

FIG. 3 is a perspective view of the base for the multi-stone gem setting of FIG. 1.

FIG. 4 is a perspective view of the base of FIG. 3 and the multi-stone gem setting of FIG. 1.

FIG. 5 is a perspective view of the multi-stone gem setting of FIG. 1 engaged in the base of FIG. 3.

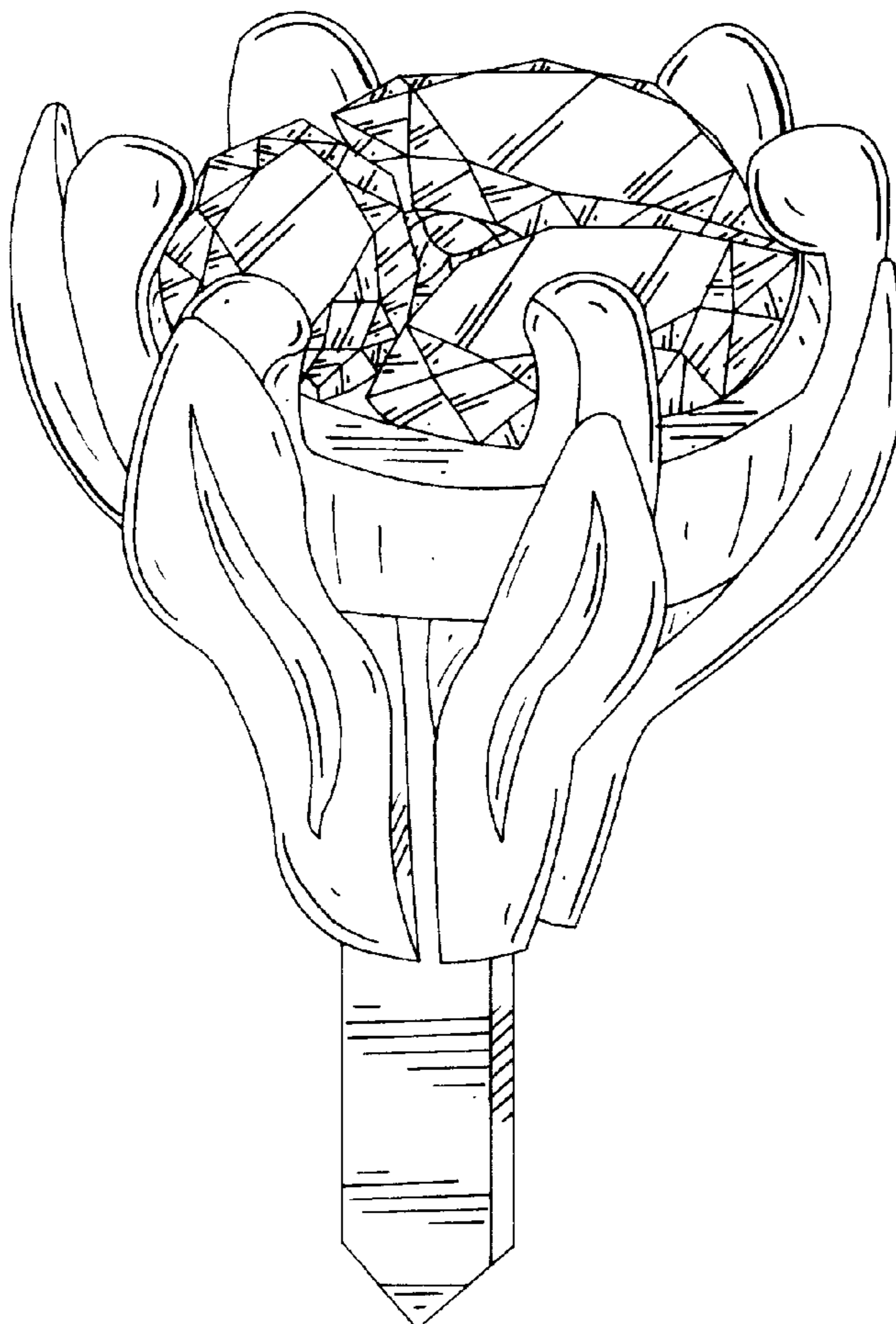
FIG. 6 is a bottom view of the base of FIG. 3.

FIG. 7 is a top view of the base of FIG. 3.

FIG. 8 is a top view of the multi-stone gem setting showing three marquise diamonds surrounding one round diamond according to a second embodiment of the invention; and,

FIG. 9 is a bottom view of the multi-stone gem setting of FIG. 8.

1 Claim, 5 Drawing Sheets



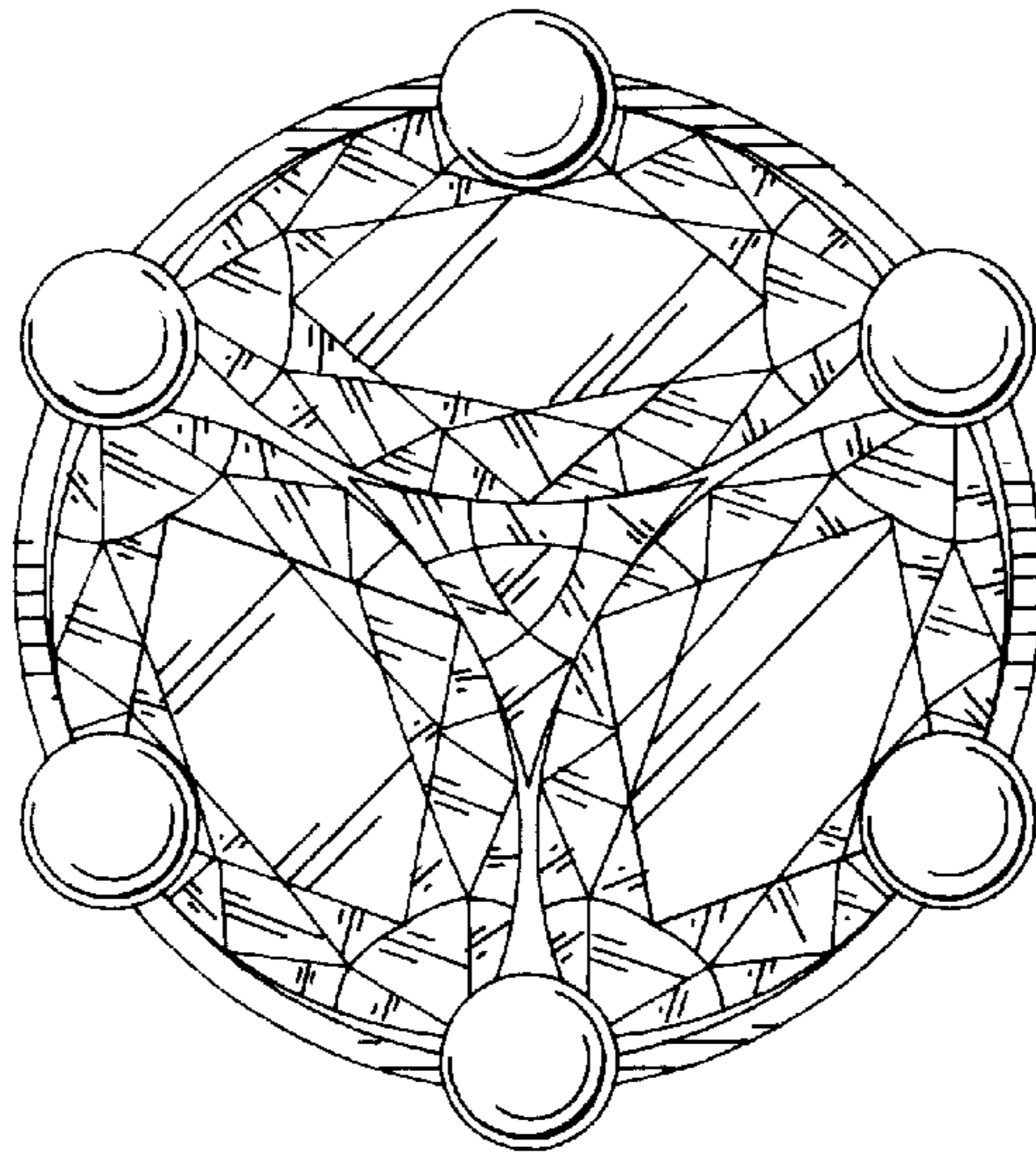


FIG. 1

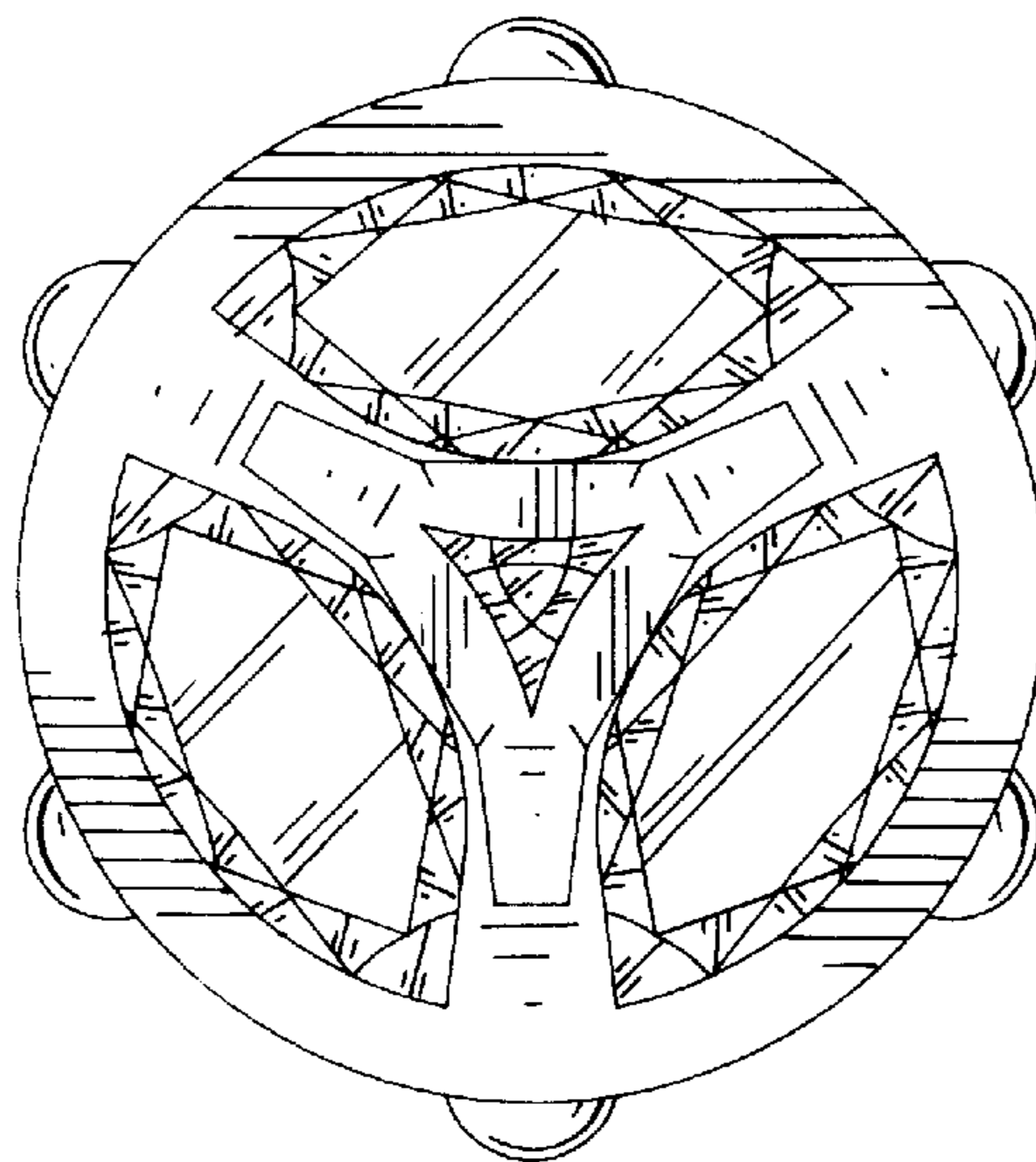


FIG. 2

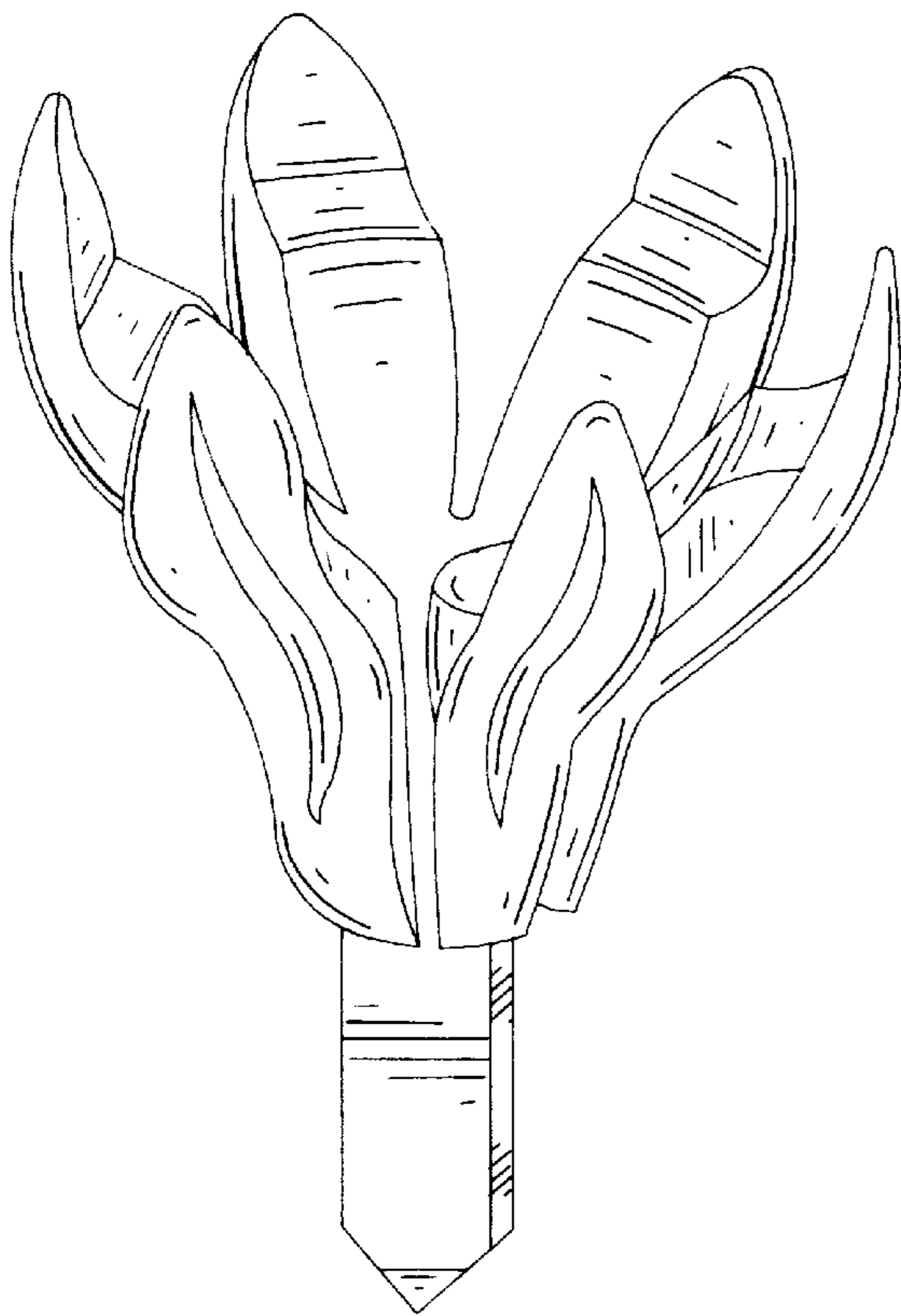


FIG. 3

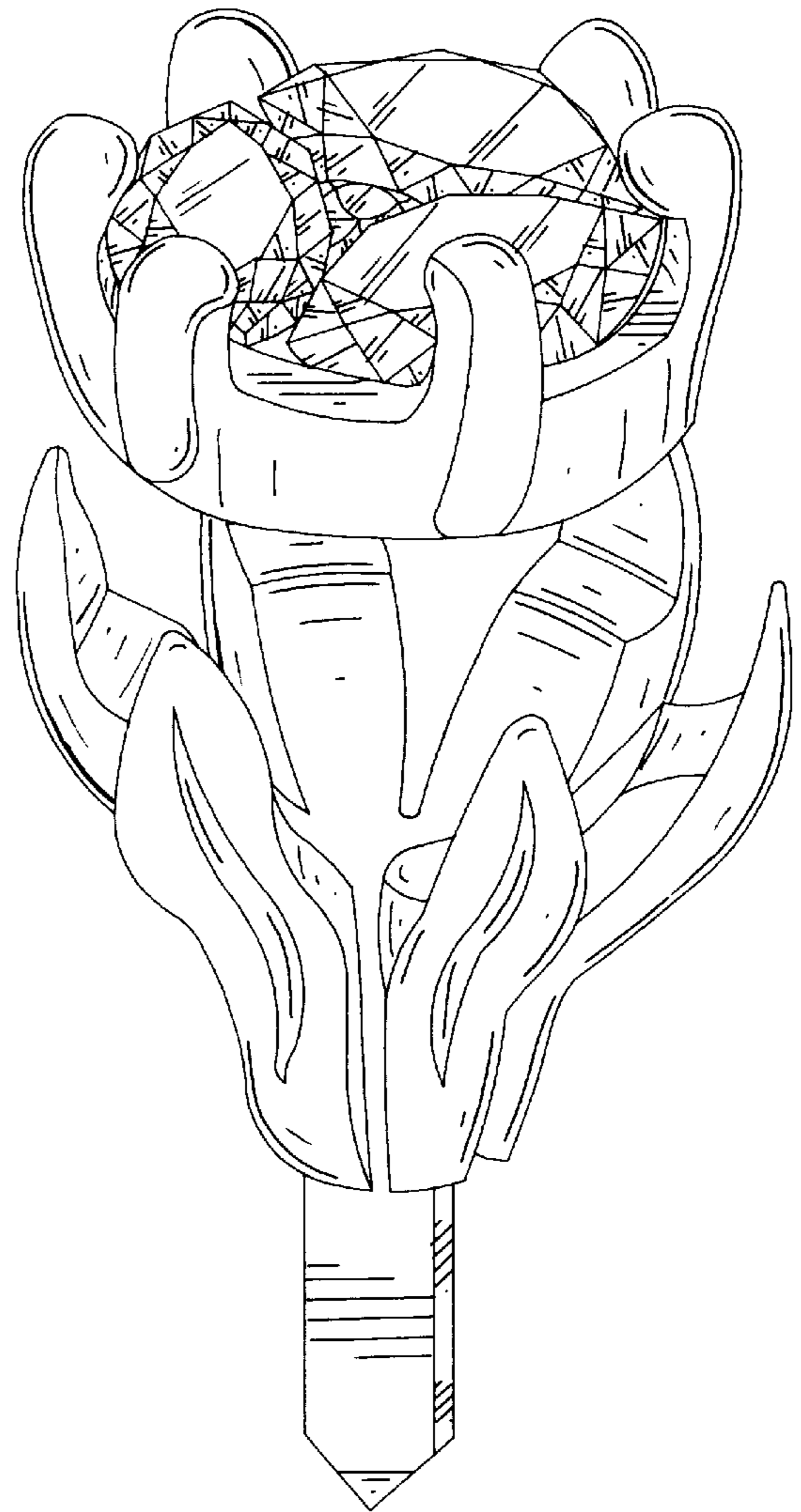


FIG. 4

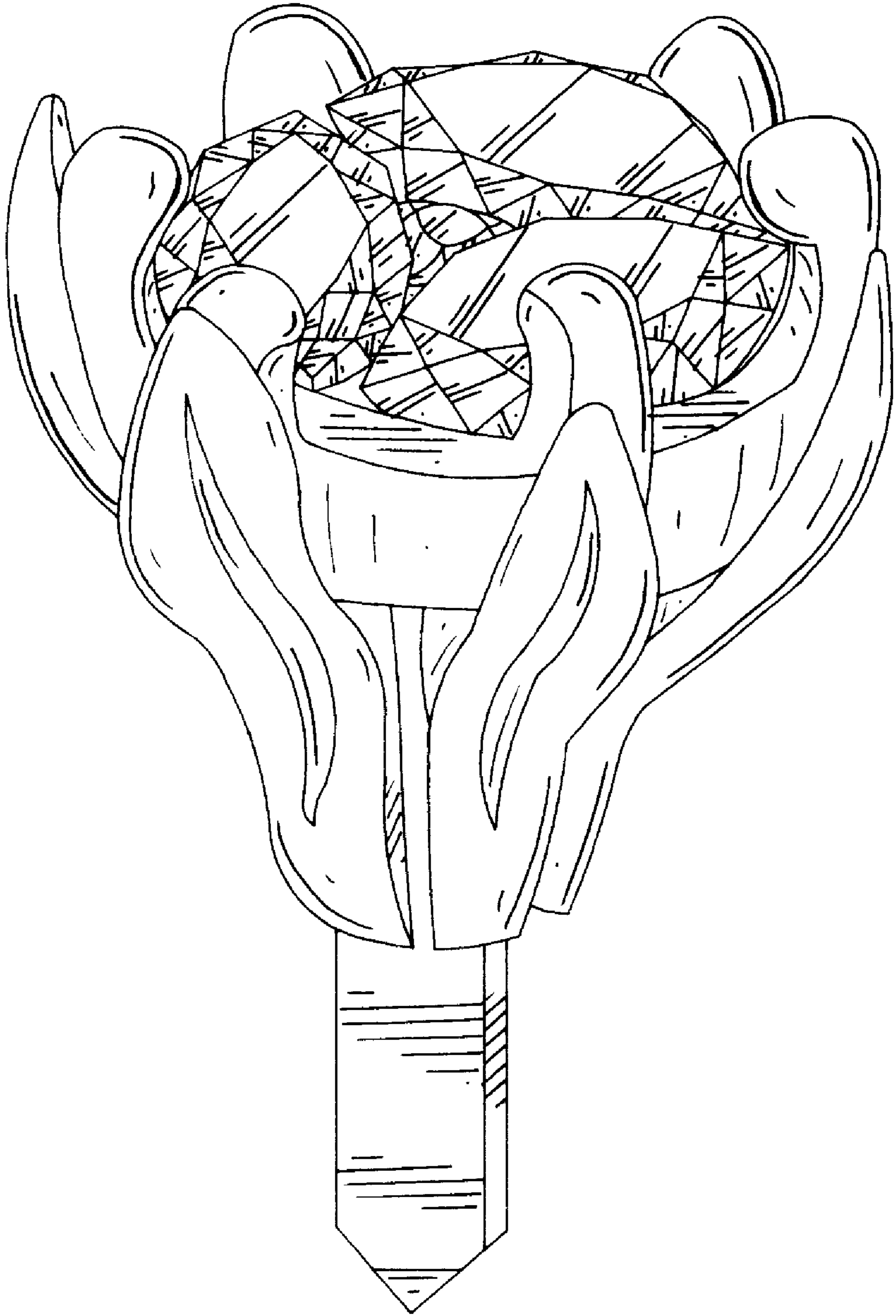


FIG. 5

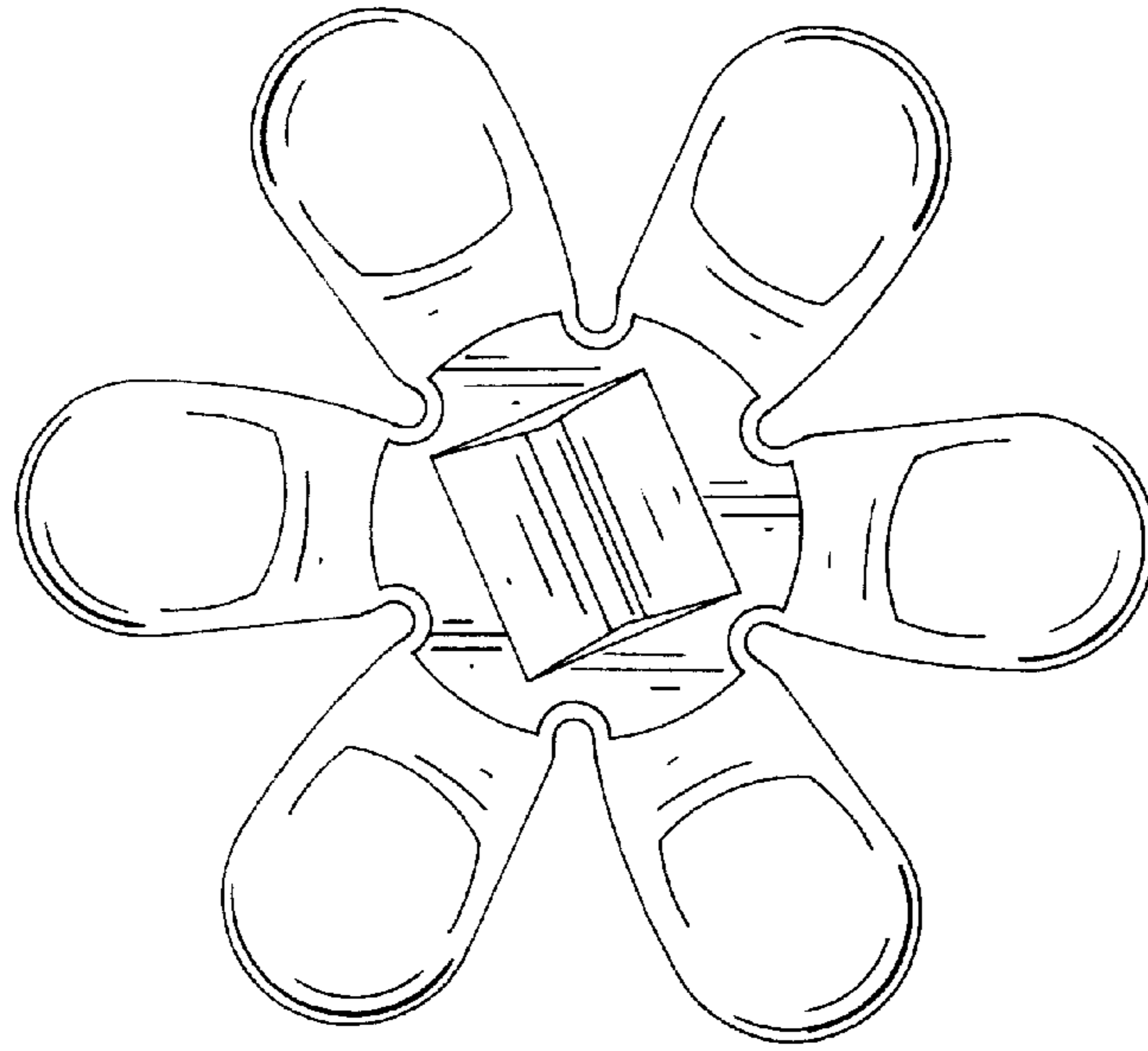


FIG. 6

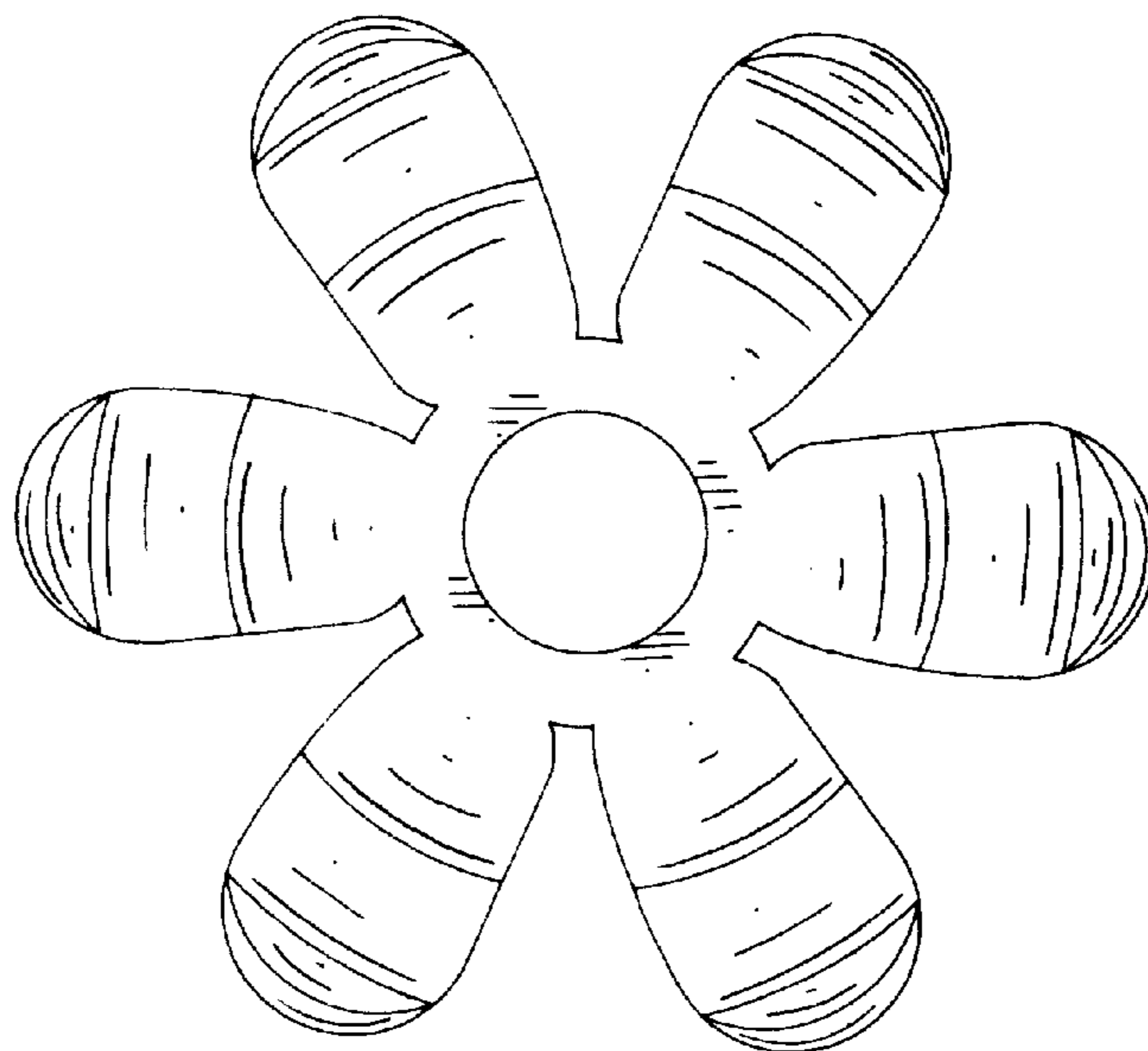


FIG. 7

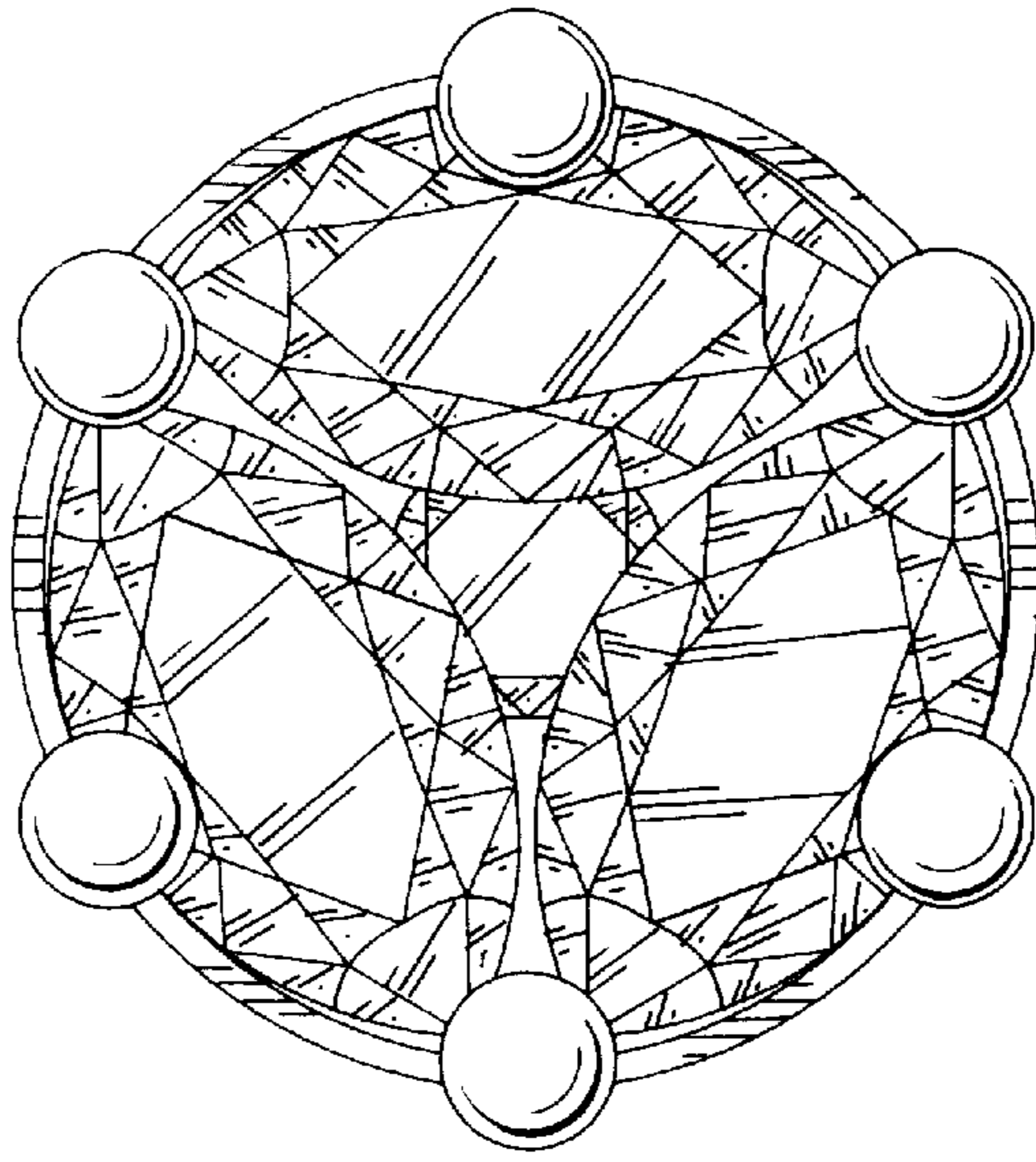


FIG. 8

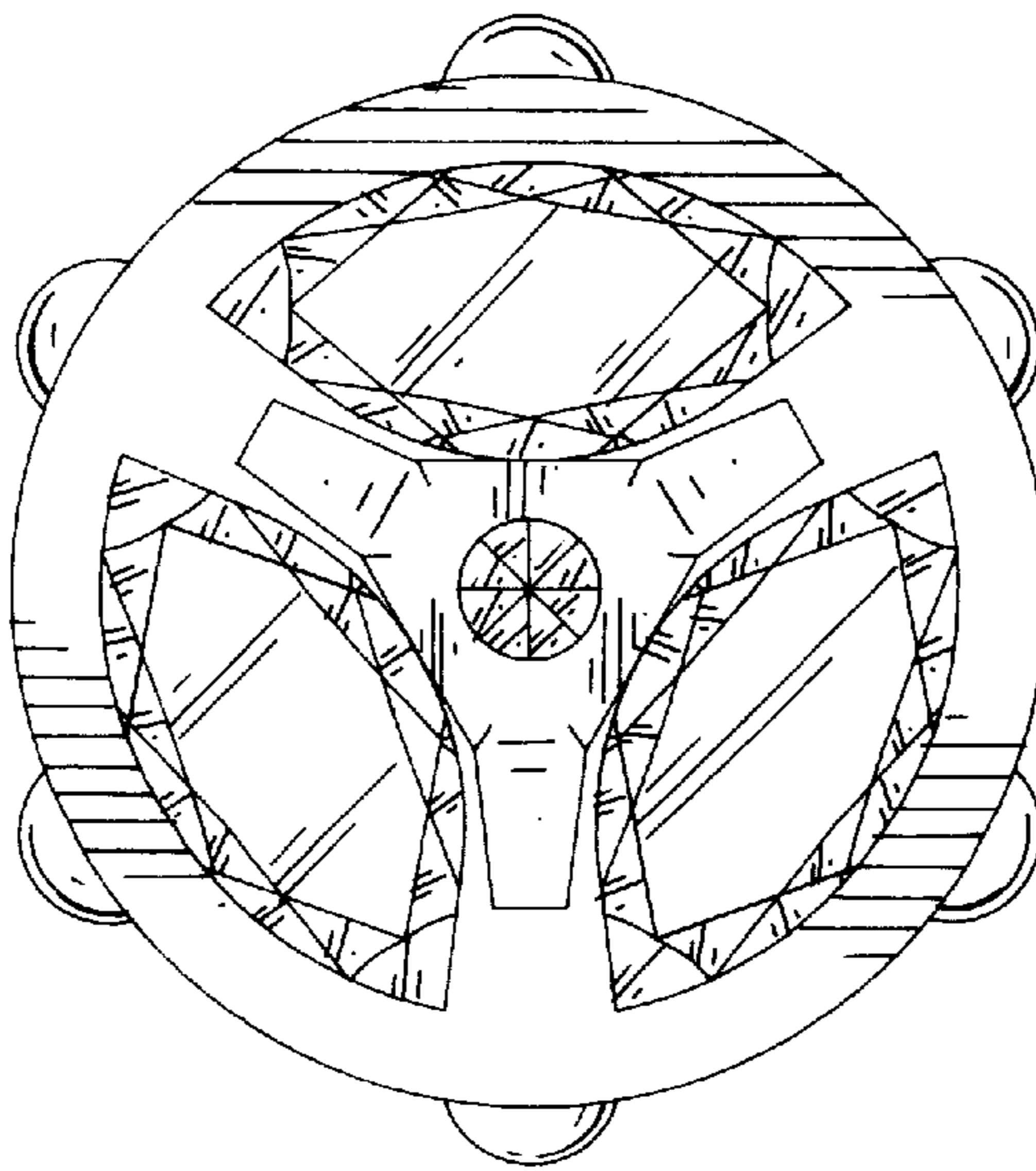


FIG. 9