



US00D434674S

# United States Patent [19] Shiraishi

[11] **Patent Number: Des. 434,674**

[45] **Date of Patent: \*\* Dec. 5, 2000**

[54] **WATCH CASE**

[75] Inventor: **Syunya Shiraishi**, Musashino, Japan

[73] Assignee: **Casio Keisanki Kabushiki Kaisha**,  
Tokyo, Japan

[\*\*] Term: **14 Years**

[21] Appl. No.: **29/123,776**

[22] Filed: **May 24, 2000**

[51] **LOC (7) Cl.** ..... **10-02**

[52] **U.S. Cl.** ..... **D10/30; D10/38**

[58] **Field of Search** ..... D10/1-40, 122-132;  
D11/3-25; 63/1.1, 3, 5, 11; 368/276-277,  
280-282, 285

[56] **References Cited**

**U.S. PATENT DOCUMENTS**

D. 394,403 5/1998 Hanagata ..... D10/38

D. 409,923 5/1999 Riley ..... D10/30  
D. 428,346 7/2000 Goto et al. .... D10/30

*Primary Examiner*—Nelson C. Holtje  
*Attorney, Agent, or Firm*—Frishauf, Holtz, Goodman,  
Langer & Chick, P.C.

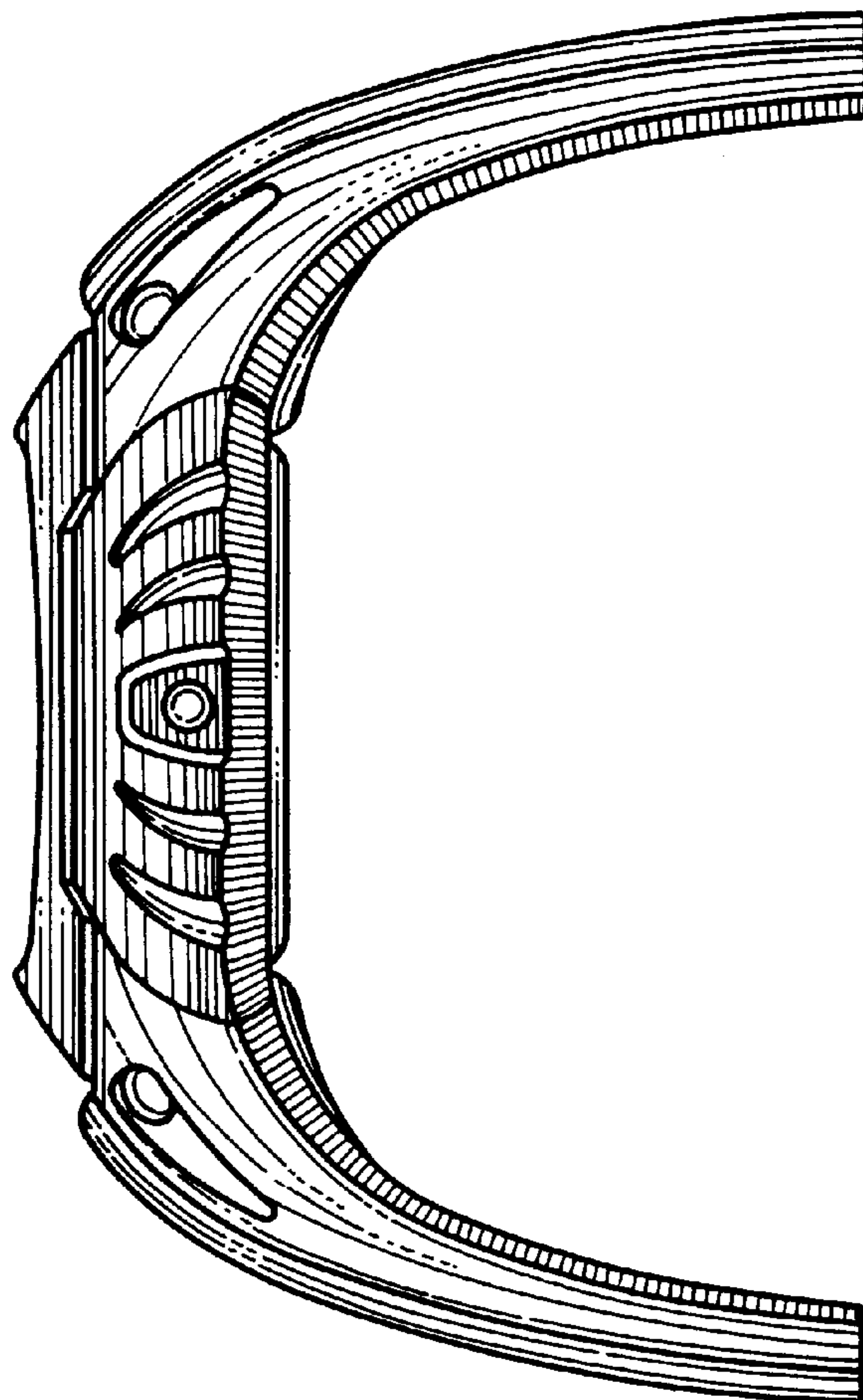
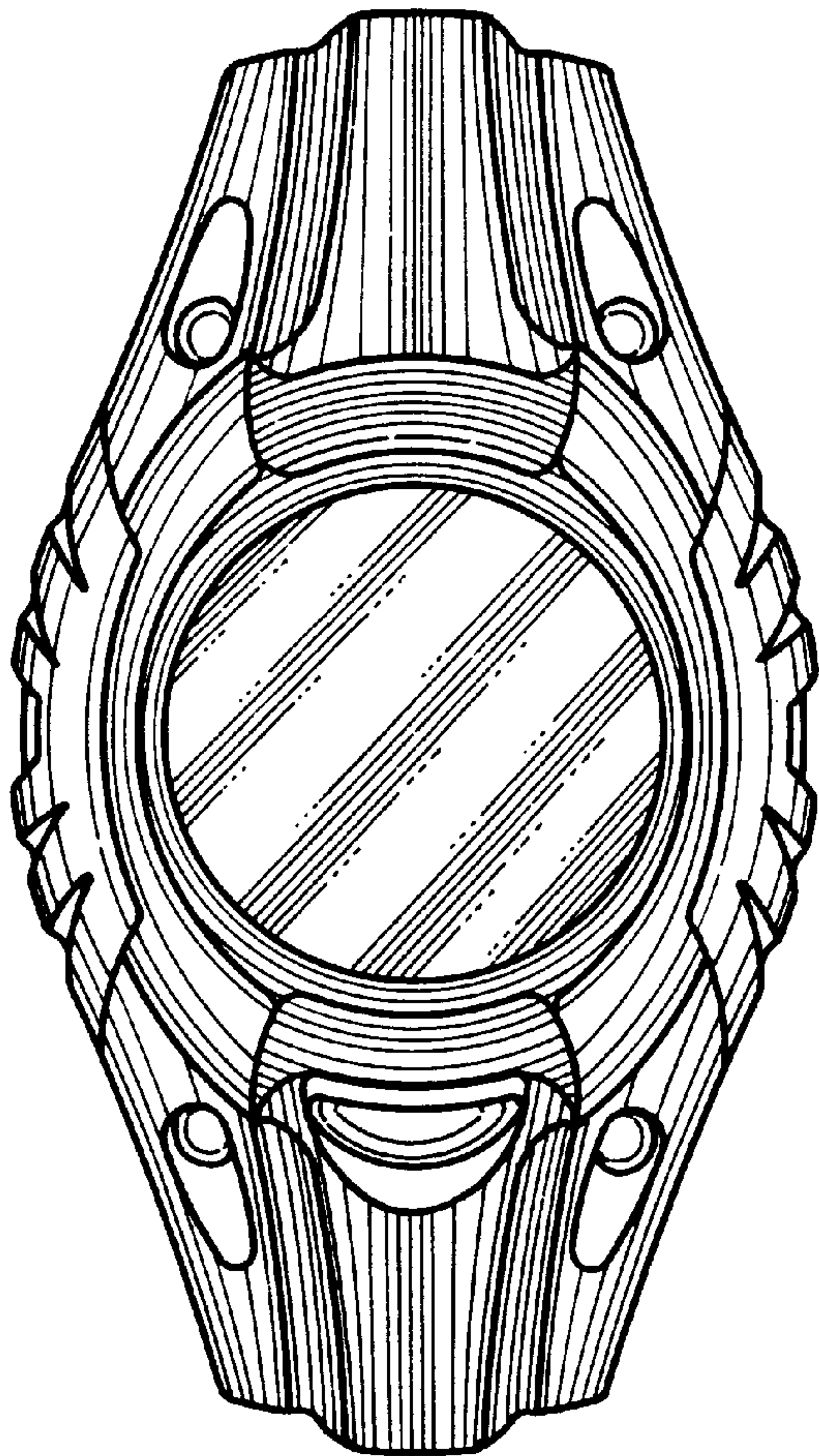
[57] **CLAIM**

The ornamental design for a watch case, as shown.

**DESCRIPTION**

FIG. 1 is a front elevational view of a watch case, showing my new design;  
FIG. 2 is a right side elevational view thereof;  
FIG. 3 is a left side elevational view thereof;  
FIG. 4 is a top plan view thereof;  
FIG. 5 is a bottom plan view thereof;  
FIG. 6 is a rear elevational view thereof; and,  
FIG. 7 is a front, bottom and right side perspective view thereof.

**1 Claim, 3 Drawing Sheets**



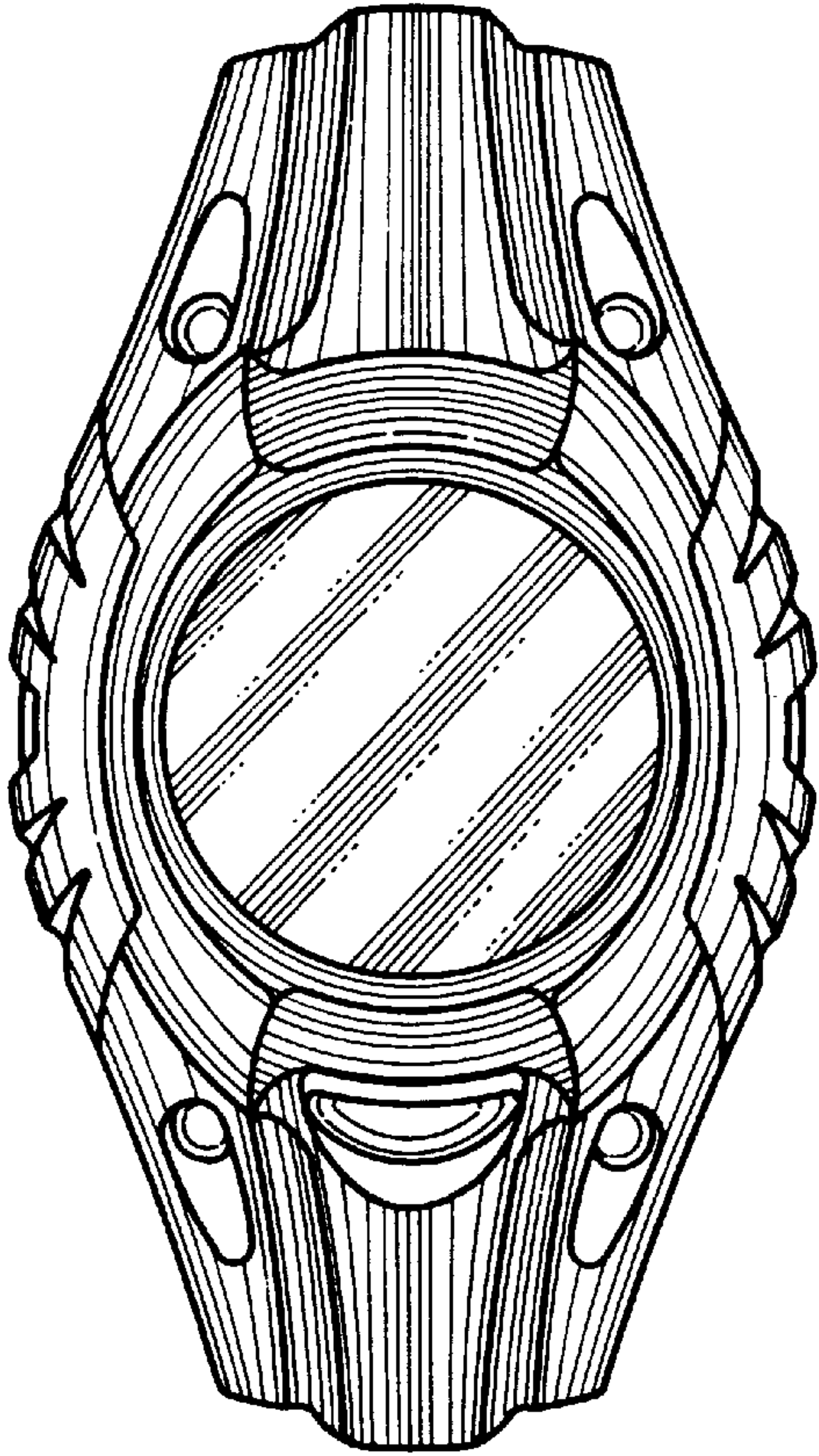


FIG. 1

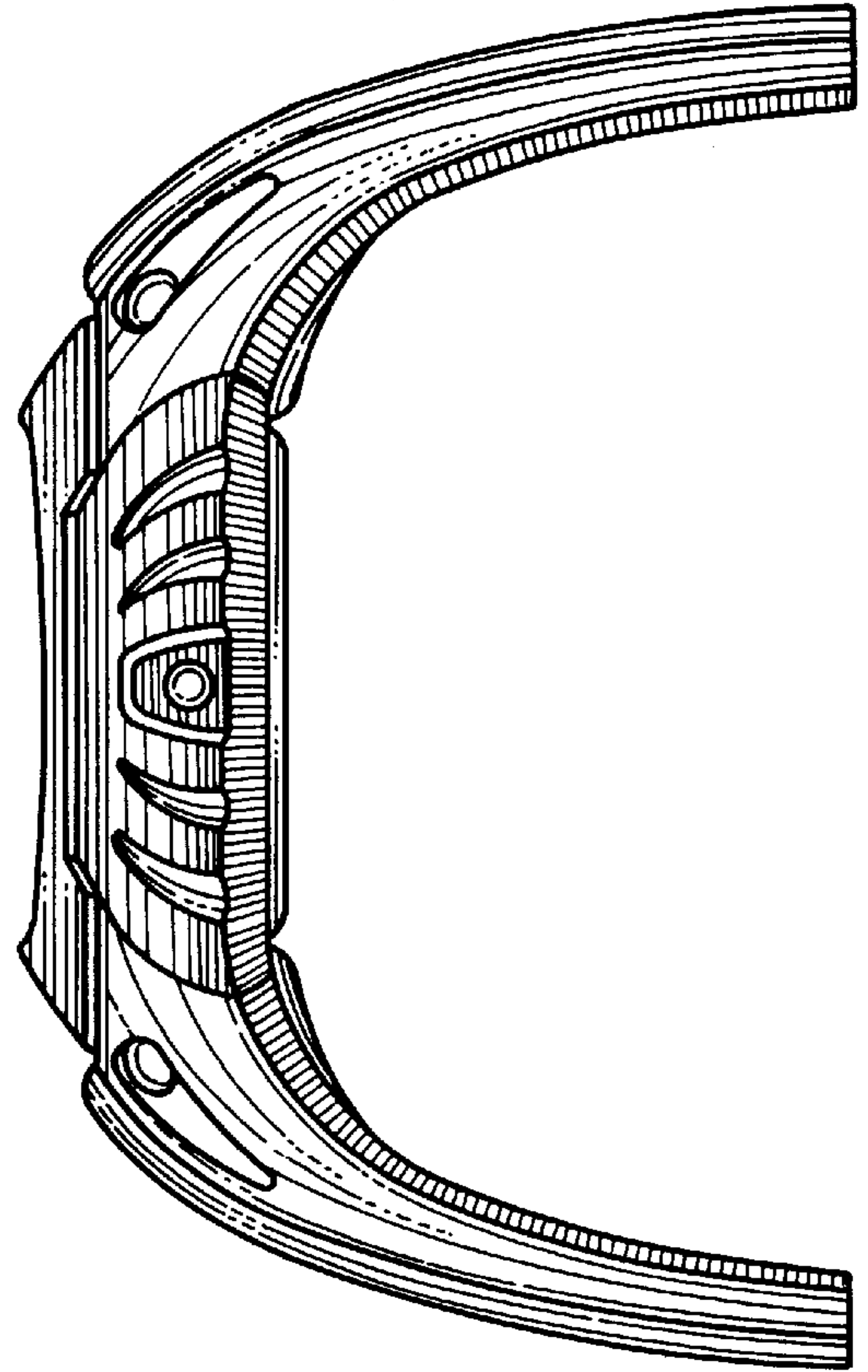


FIG. 2

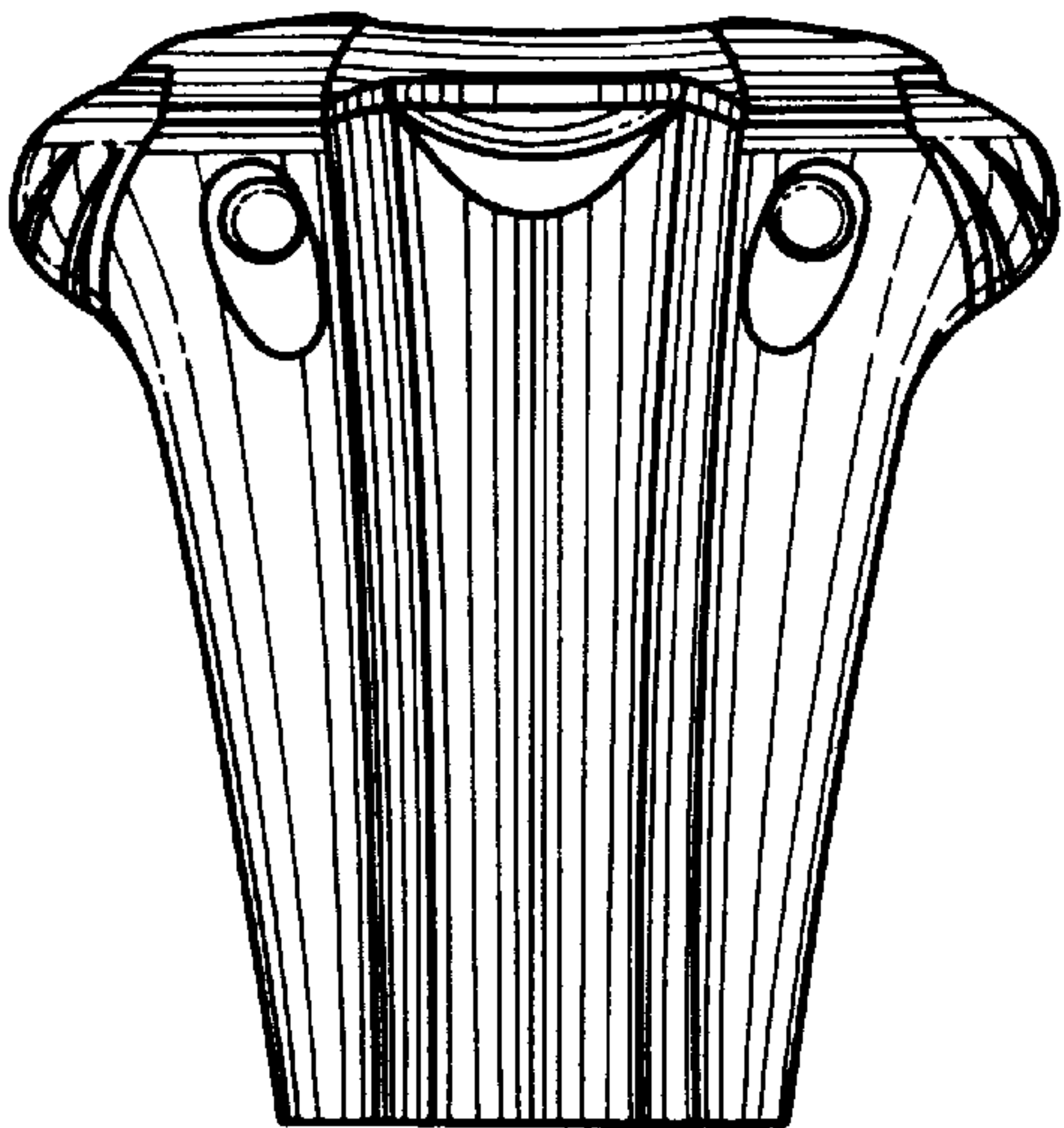


FIG. 5



FIG. 4

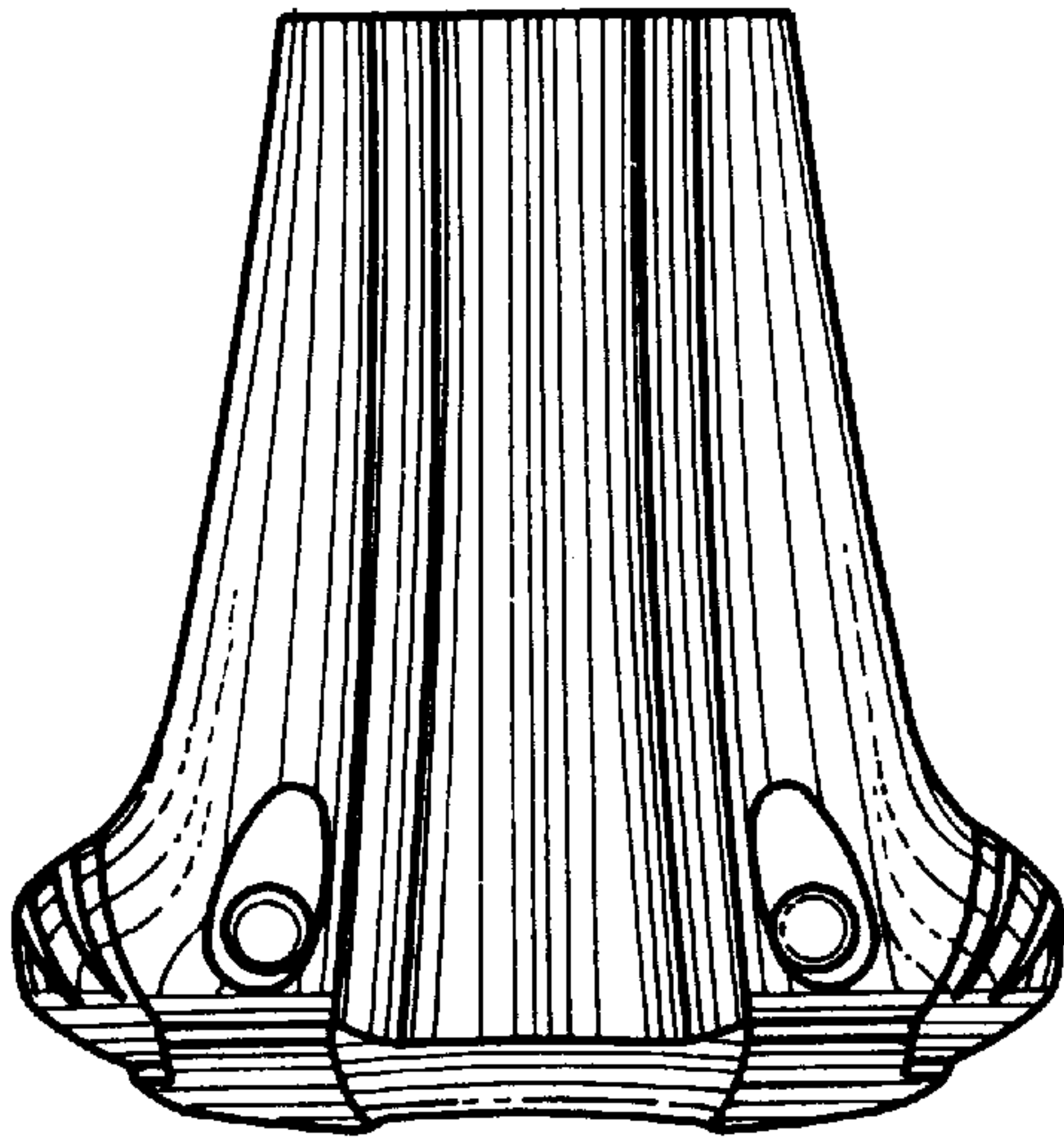


FIG. 6

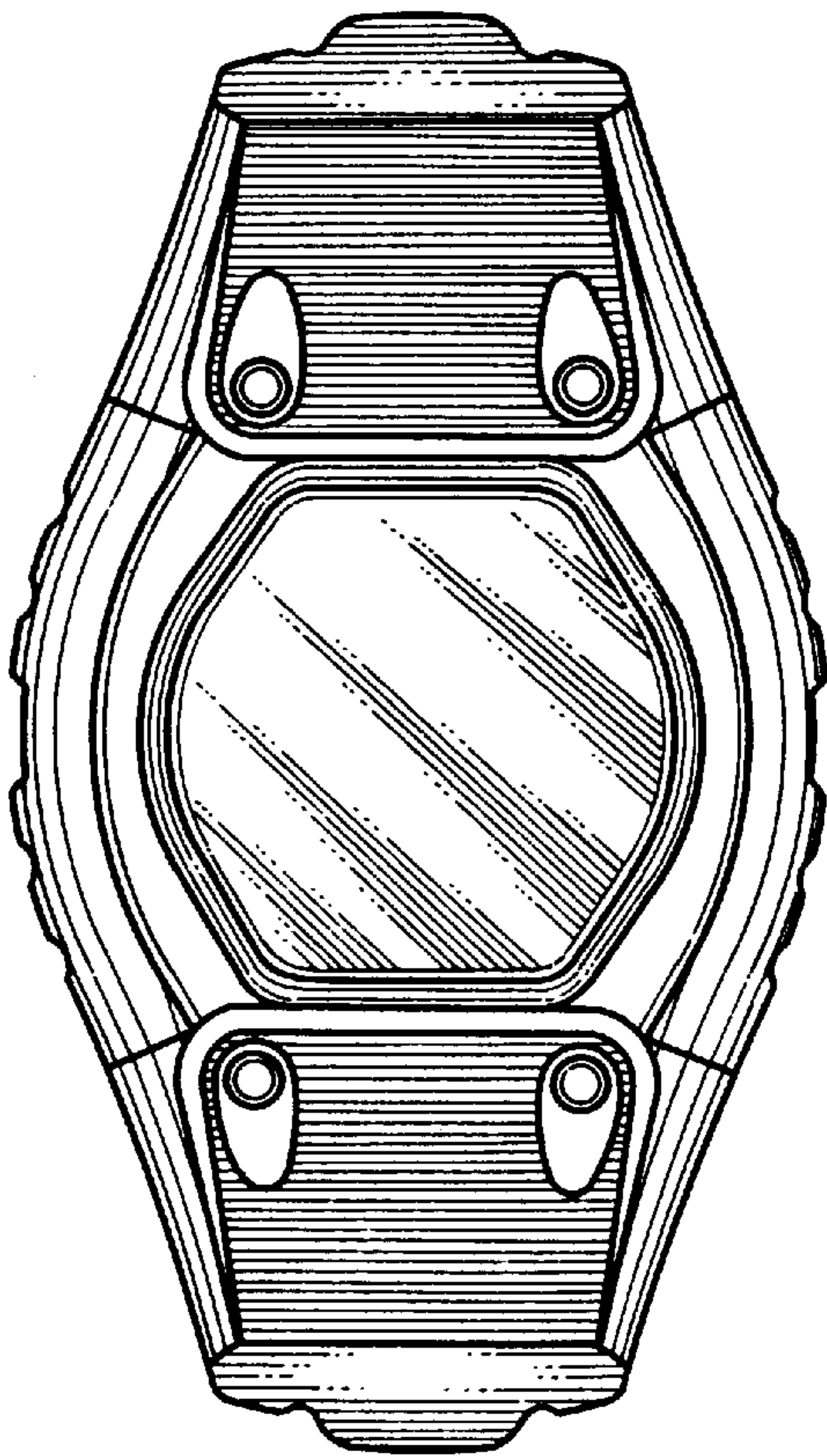


FIG. 3

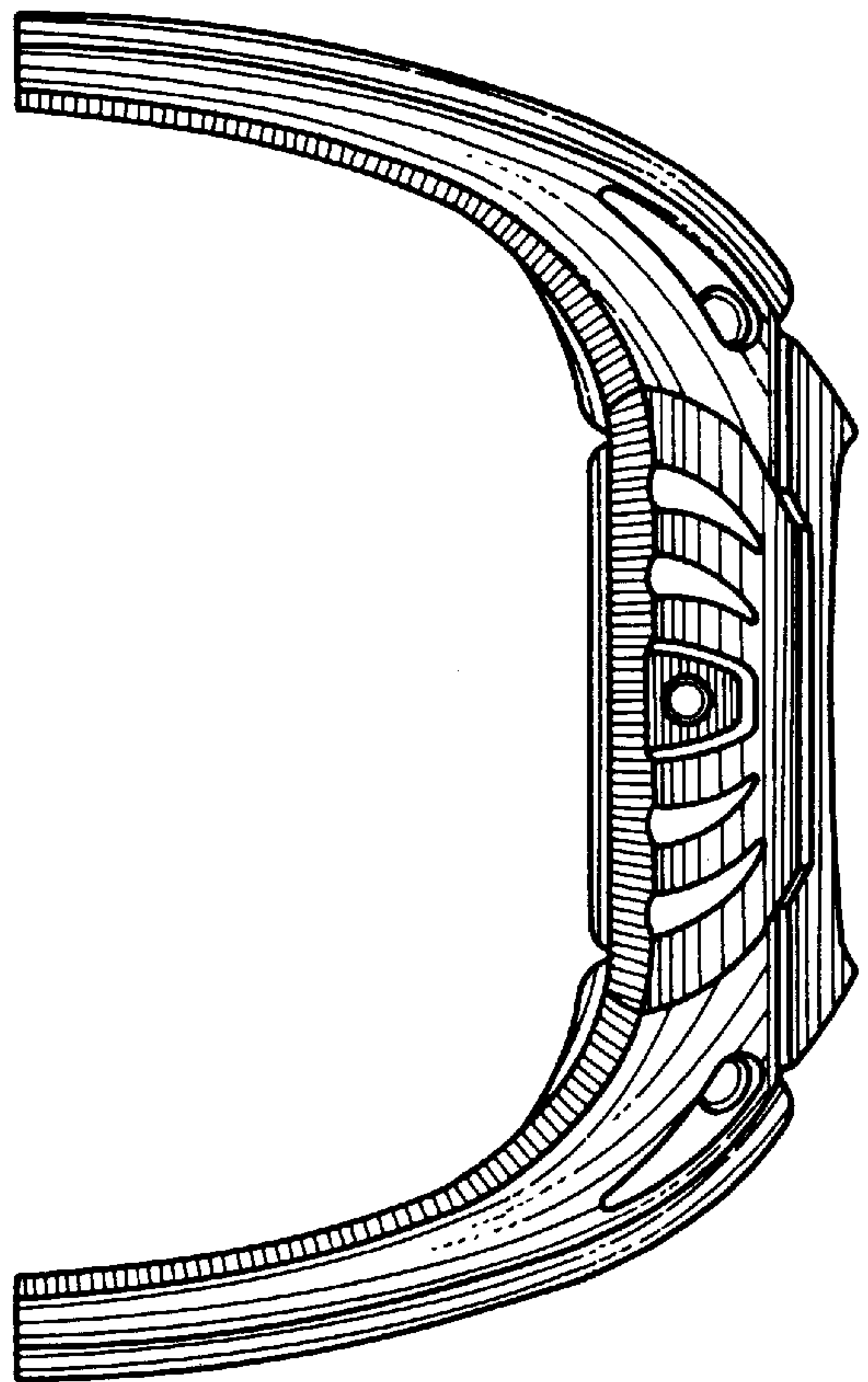


FIG. 7

