



US00D434672S

United States Patent [19] Berliat

[11] **Patent Number: Des. 434,672**

[45] **Date of Patent: ** Dec. 5, 2000**

[54] **WATCH CASING**

D. 283,401 4/1986 Lung D10/30
D. 357,191 4/1995 Chodat D10/30

[75] Inventor: **Jeannette Berliat**, St-Gallen,
Switzerland

OTHER PUBLICATIONS

[73] Assignee: **Mondaine Watch Ltd.**, Zurich,
Switzerland

European Jeweler (G.Z.)—Jan. 1987—p. 45—watches at bot-
tom—center and right.

[**] Term: **14 Years**

Primary Examiner—Nelson C. Holtje
Attorney, Agent, or Firm—Kane, Dalsimer, Sullivan and
Levy, LLP

[21] Appl. No.: **29/097,825**

[22] Filed: **Dec. 15, 1998**

[57] CLAIM

[30] Foreign Application Priority Data

Jun. 16, 1998 [XH] Hague Agreement DM/044300

The ornamental design for a watch casing, as shown and
described.

[51] **LOC (7) Cl.** **10-02**

DESCRIPTION

[52] **U.S. Cl.** **D10/30**

[58] **Field of Search** D10/1-40, 122-132;
368/280-282, 276-277, 285

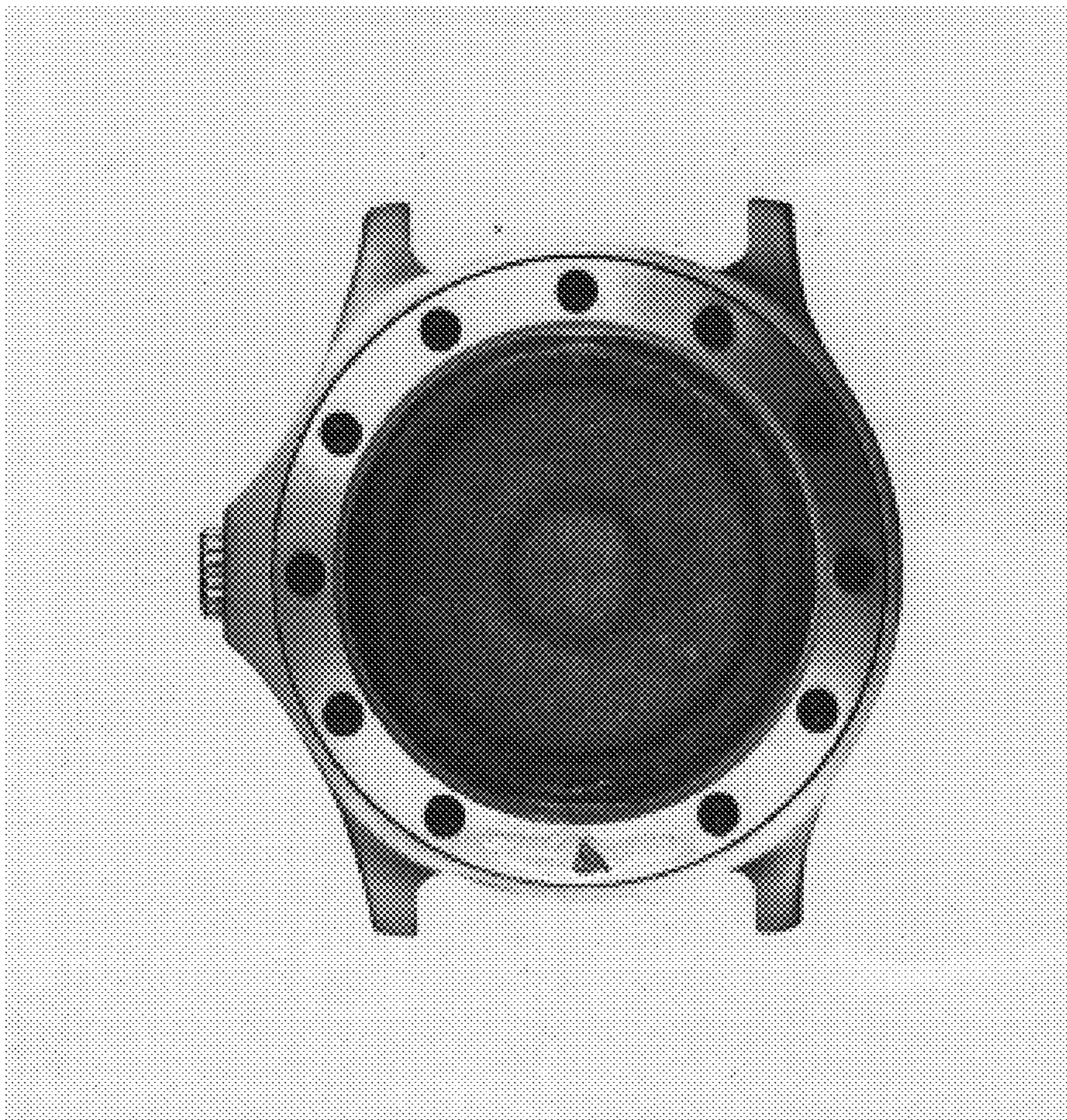
FIG. 1 is a front view of a watch casing showing my new
design,
FIG. 2 is a left side view thereof;
FIG. 3 is a right side view thereof,
FIG. 4 is a bottom view thereof,
FIG. 5 is a top plan view thereof; and,
FIG. 6 is a bottom plan view thereof.

[56] References Cited

U.S. PATENT DOCUMENTS

D. 161,485 1/1951 Megar .

1 Claim, 3 Drawing Sheets



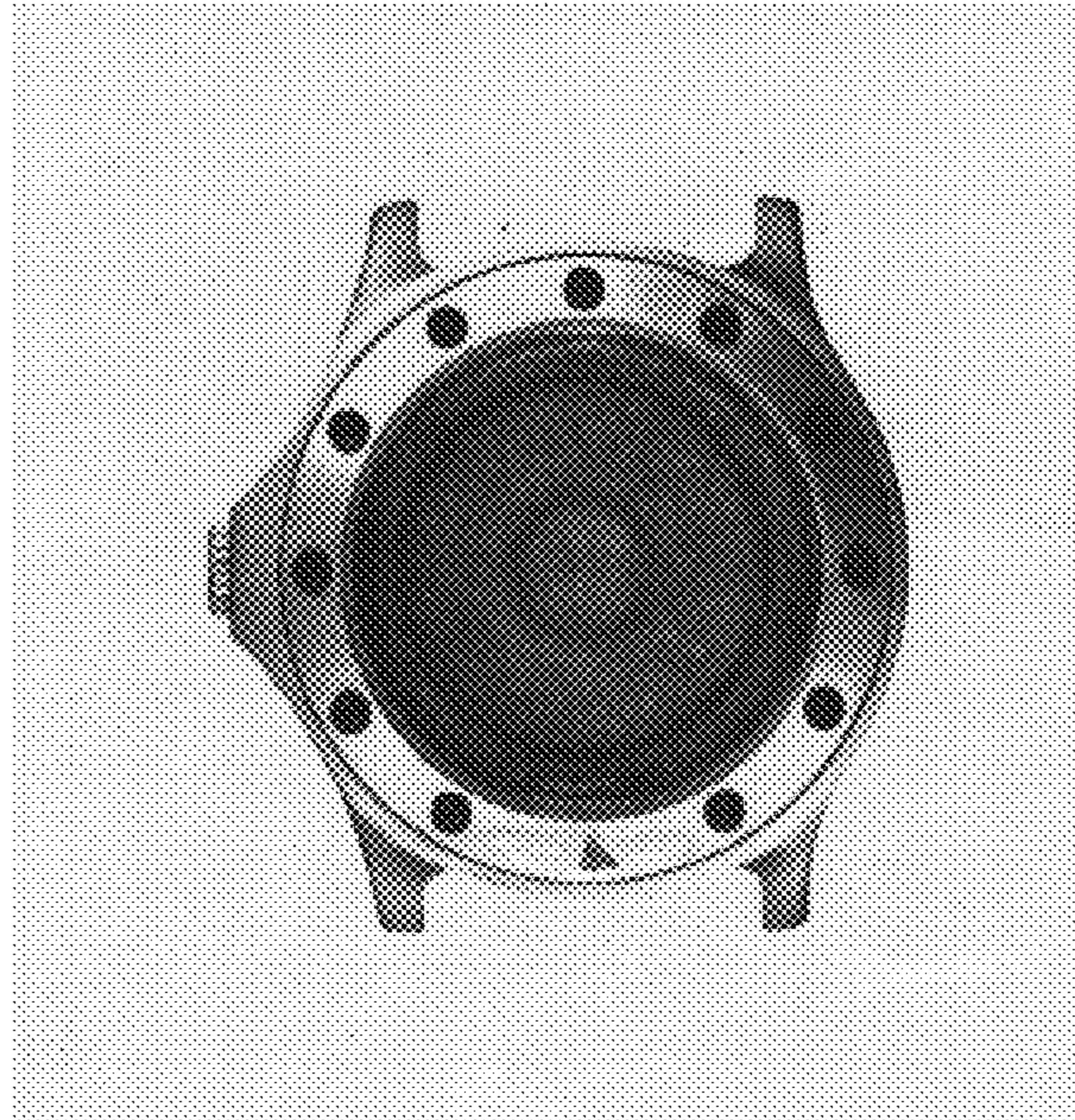


FIG. 1

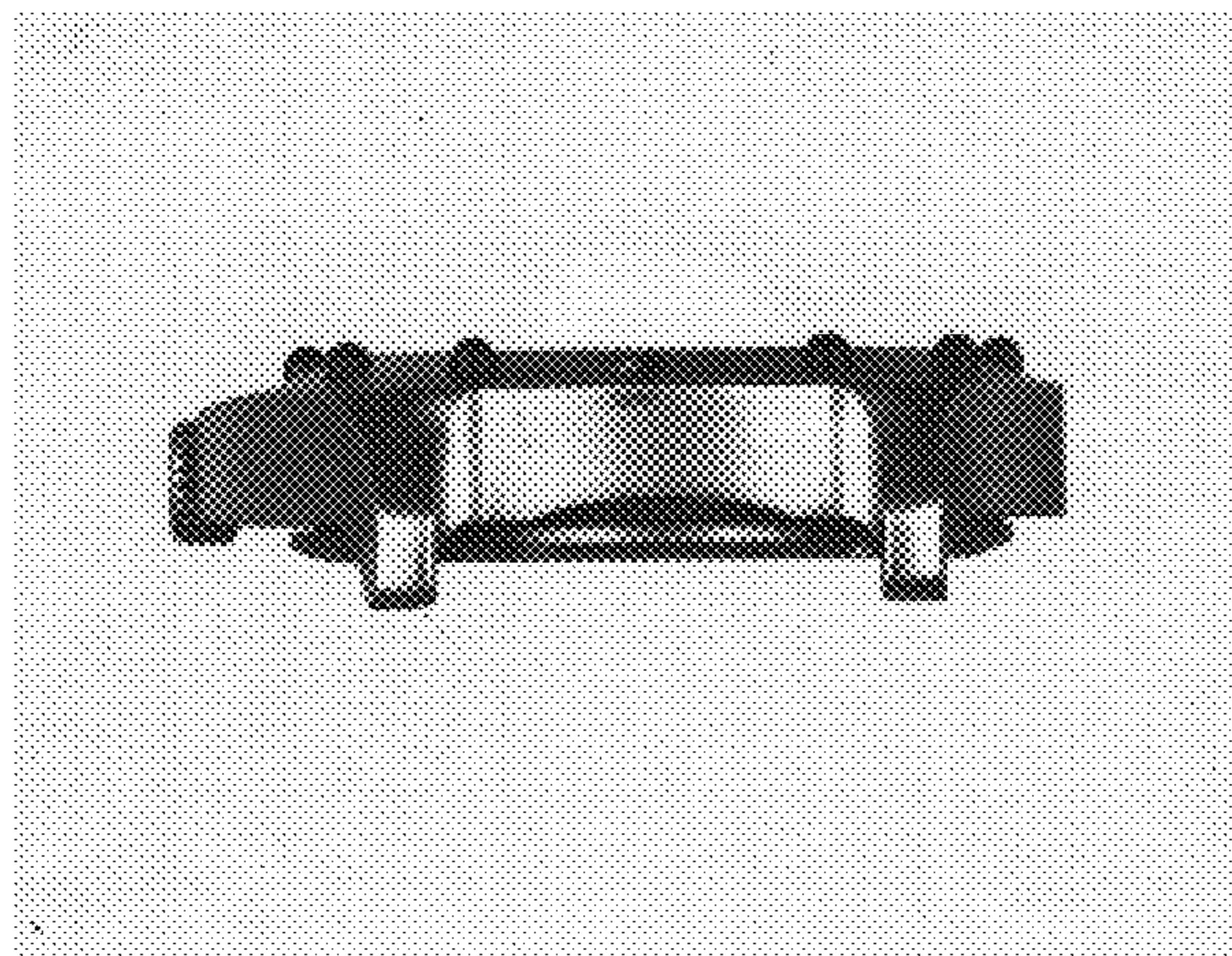


FIG. 2

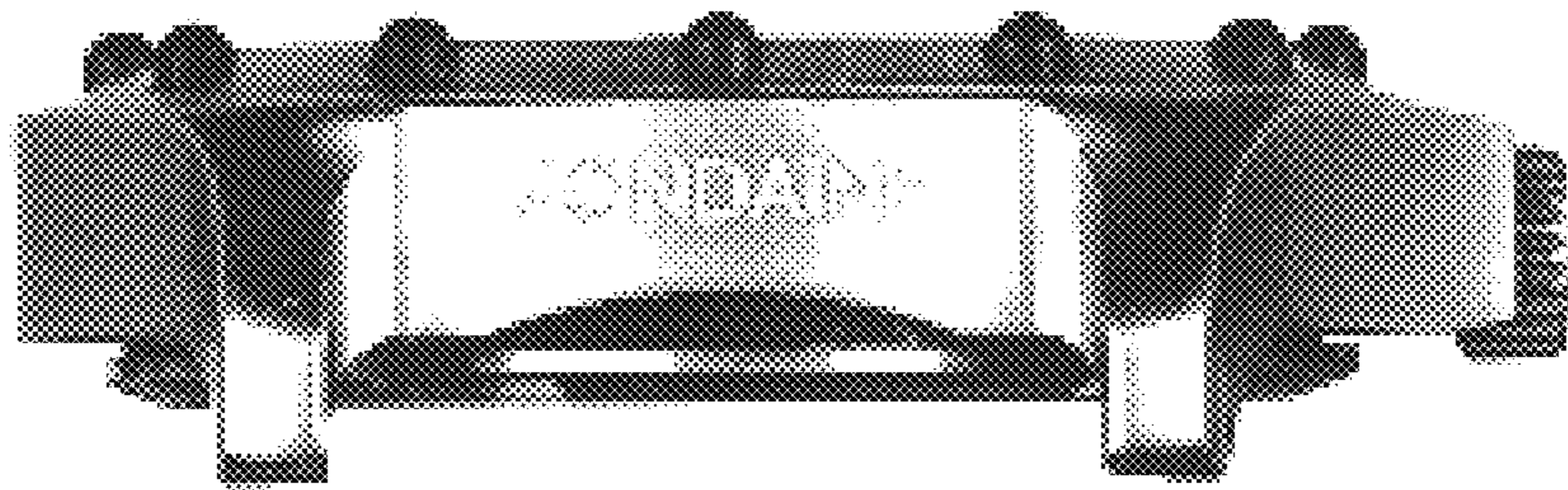


FIG. 3

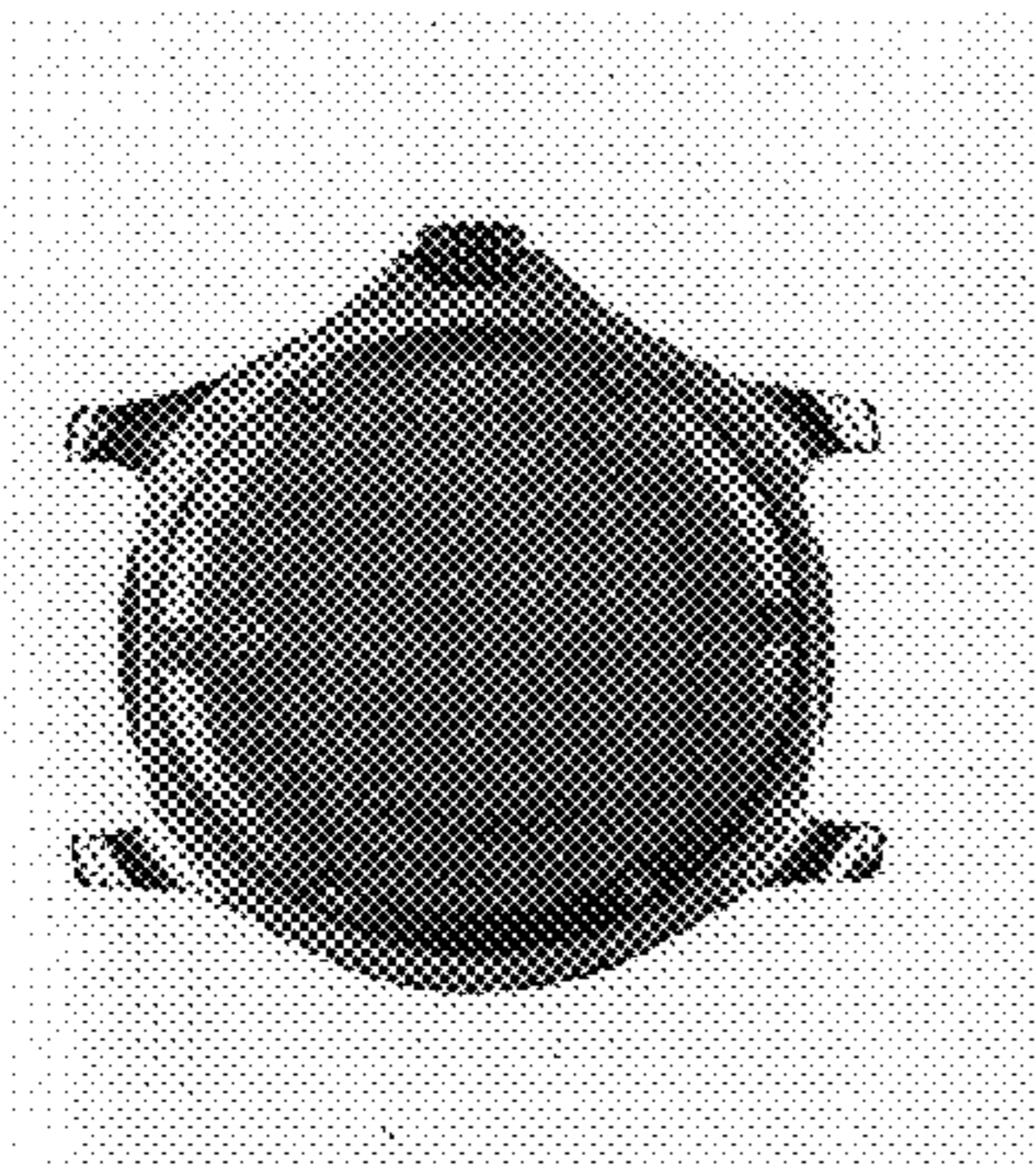


FIG. 4

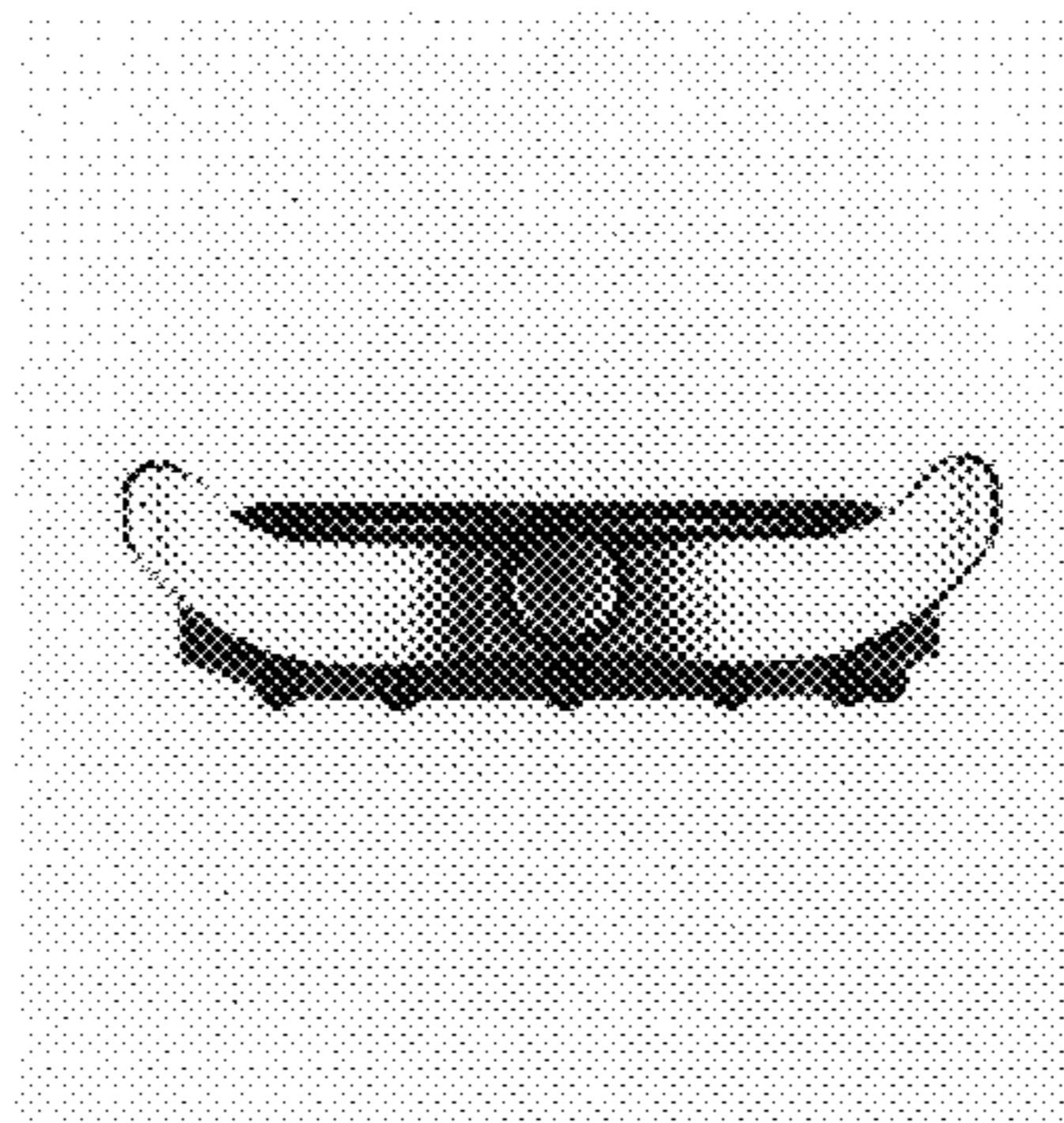


FIG. 5

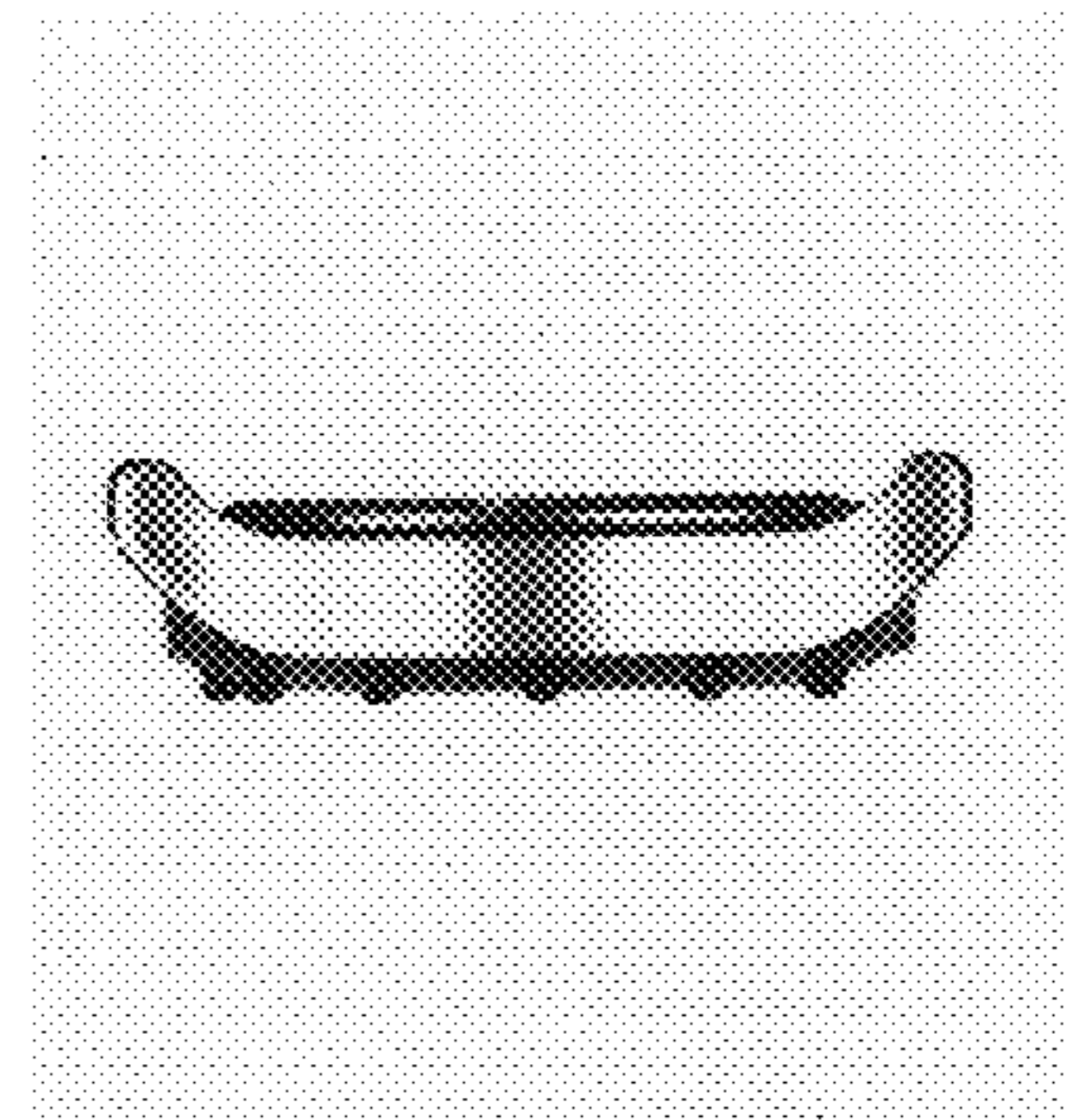


FIG. 6