



US00D434668S

United States Patent [19]
Chimetto et al.

[11] **Patent Number: Des. 434,668**

[45] **Date of Patent: ** Dec. 5, 2000**

[54] **BOTTLE**

[75] Inventors: **Fabio Chimetto**, Piazzola sul Brenta;
Loris Favero, Udine, both of Italy

[73] Assignee: **Acqua Vera S.p.A.**, San Giorgio in
Bosco, Italy

[**] Term: **14 Years**

[21] Appl. No.: **29/089,770**

[22] Filed: **Jun. 23, 1998**

[30] **Foreign Application Priority Data**

Dec. 24, 1997 [IT] Italy RM97O0328

[51] **LOC (7) Cl.** **09-01**

[52] **U.S. Cl.** **D9/541; D9/560; D9/565;**
D9/570

[58] **Field of Search** D9/541, 538, 560,
D9/565, 552, 569, 542, 570, 571, 520,
539, 540; 215/381-384, 370-375

[56] **References Cited**

U.S. PATENT DOCUMENTS

D. 93,193 8/1934 Laufer D9/560

D. 212,276 9/1968 Lodding D9/552
D. 286,617 11/1986 Goodwin et al. D9/552
D. 308,482 6/1990 Wild D9/560
D. 359,237 6/1995 Nakamura D9/560
D. 409,493 5/1999 Waggaman et al. D9/538

Primary Examiner—Lucy Lieberman
Attorney, Agent, or Firm—Browdy and Neimark

[57] **CLAIM**

The ornamental design for a bottle, as shown and described.

DESCRIPTION

FIG. 1 is a front elevation of a bottle showing our new design, the rear and side elevations are the same;

FIG. 2 is a perspective view thereof;

FIG. 3 is a top plan view thereof;

FIG. 4 is a view of a partial section thereof, taken along line A—A of FIG. 1;

FIG. 5 is a view of a partial section thereof, taken along line B—B of FIG. 1; and,

FIG. 6 is a view of a partial section thereof, taken along line C—C of FIG. 1.

The broken line showing of a bottle neck and bottom part is for illustrative purposes only and forms no part of the claimed design.

1 Claim, 4 Drawing Sheets

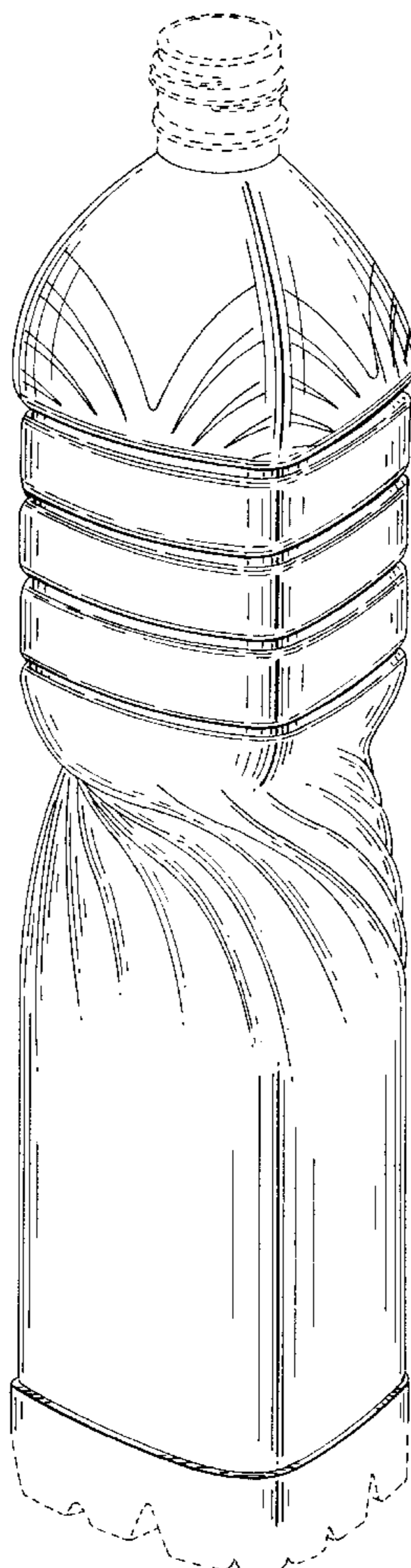


FIG. 1

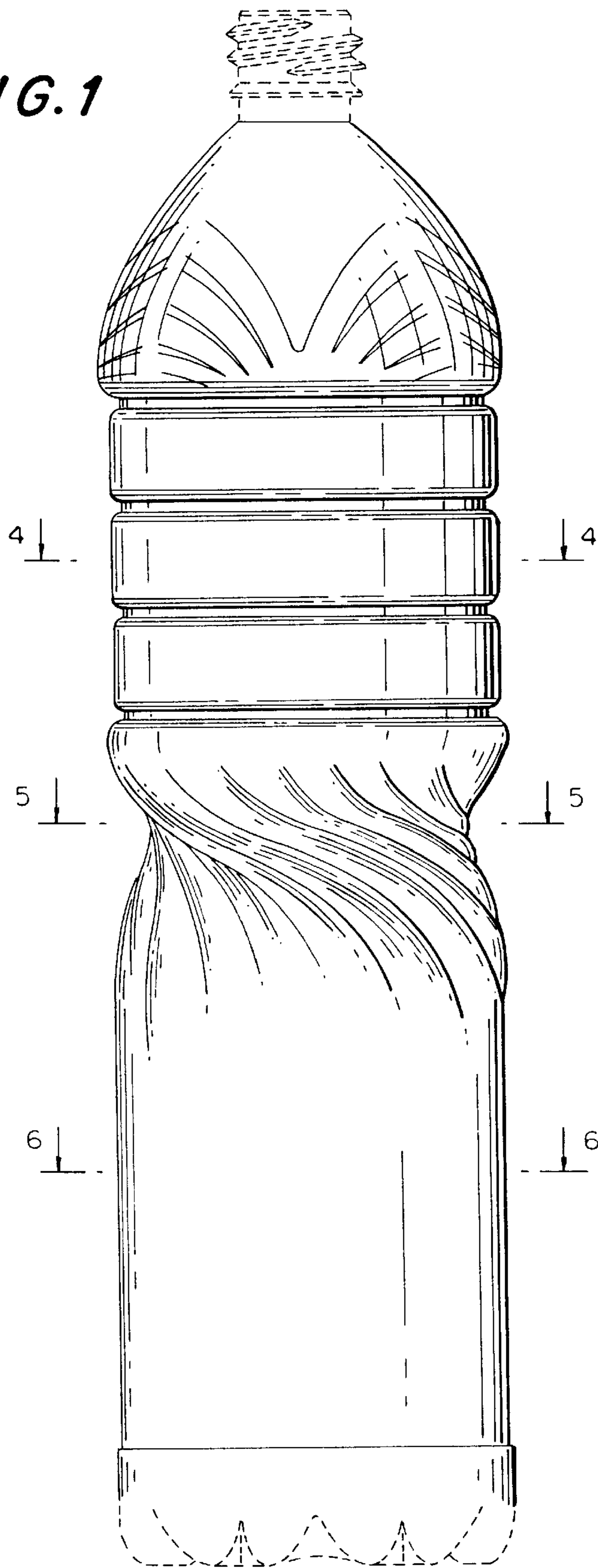


FIG. 2

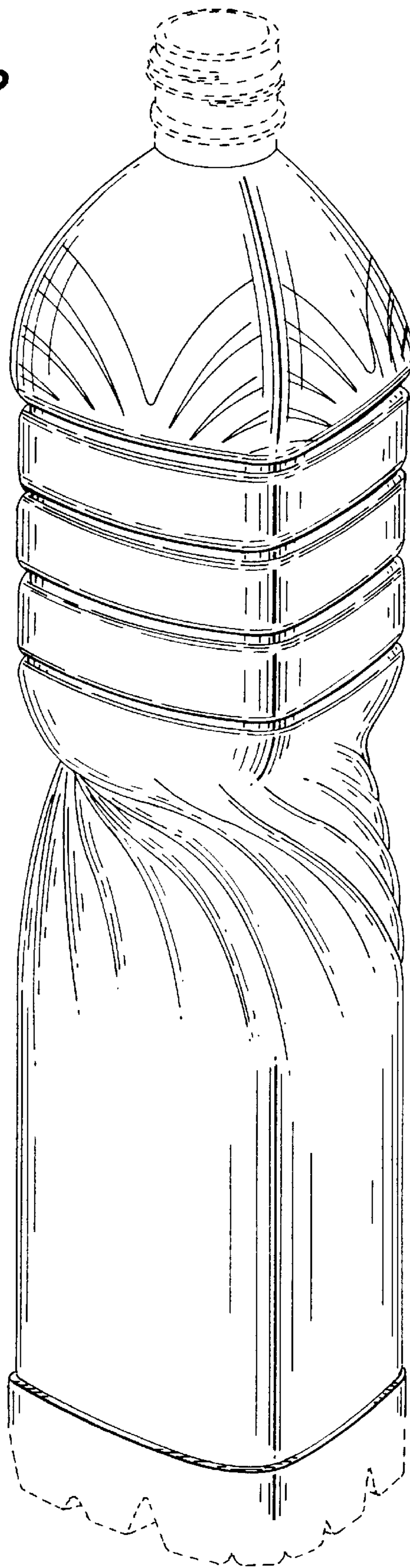


FIG. 3

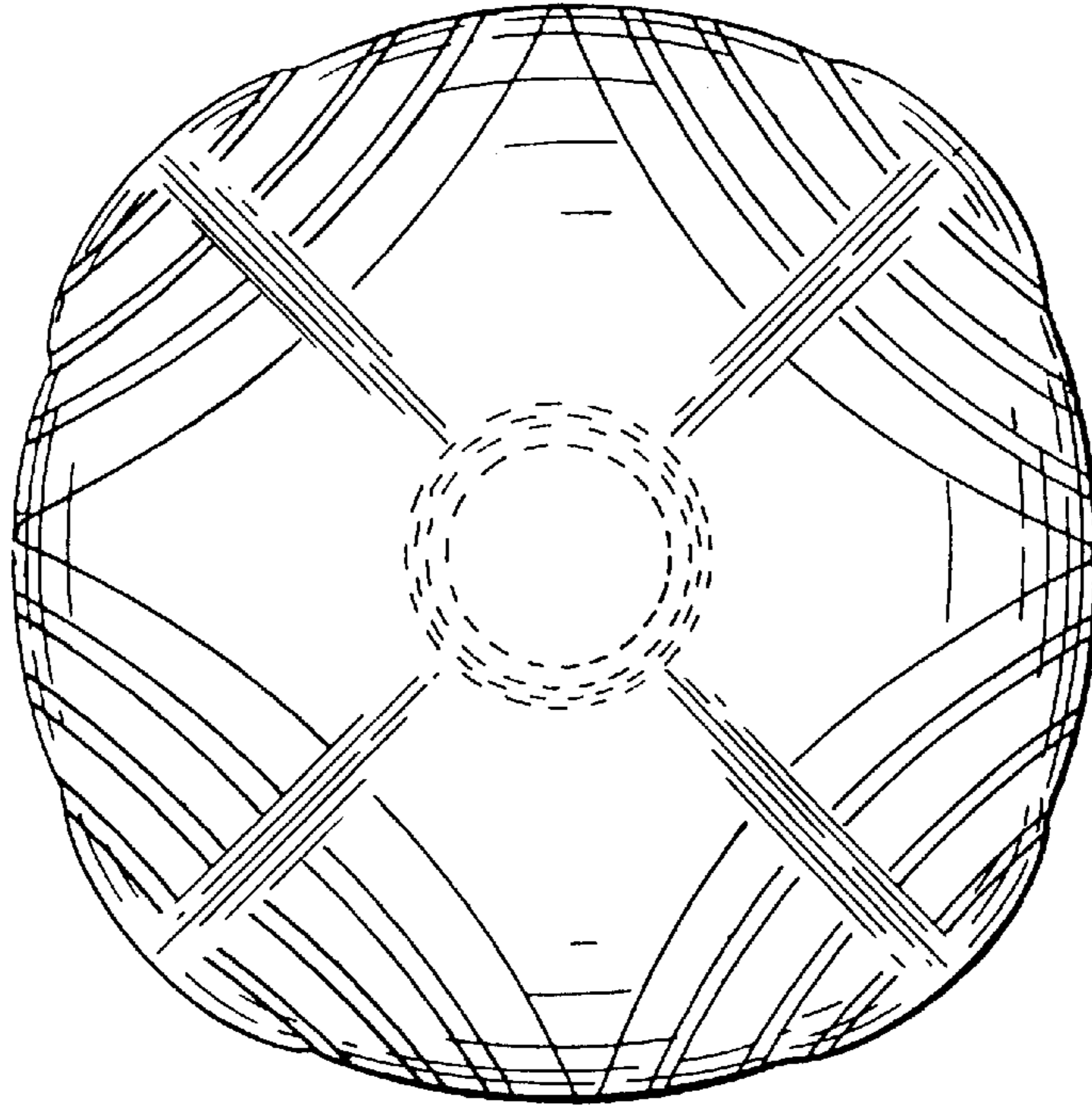


FIG. 4

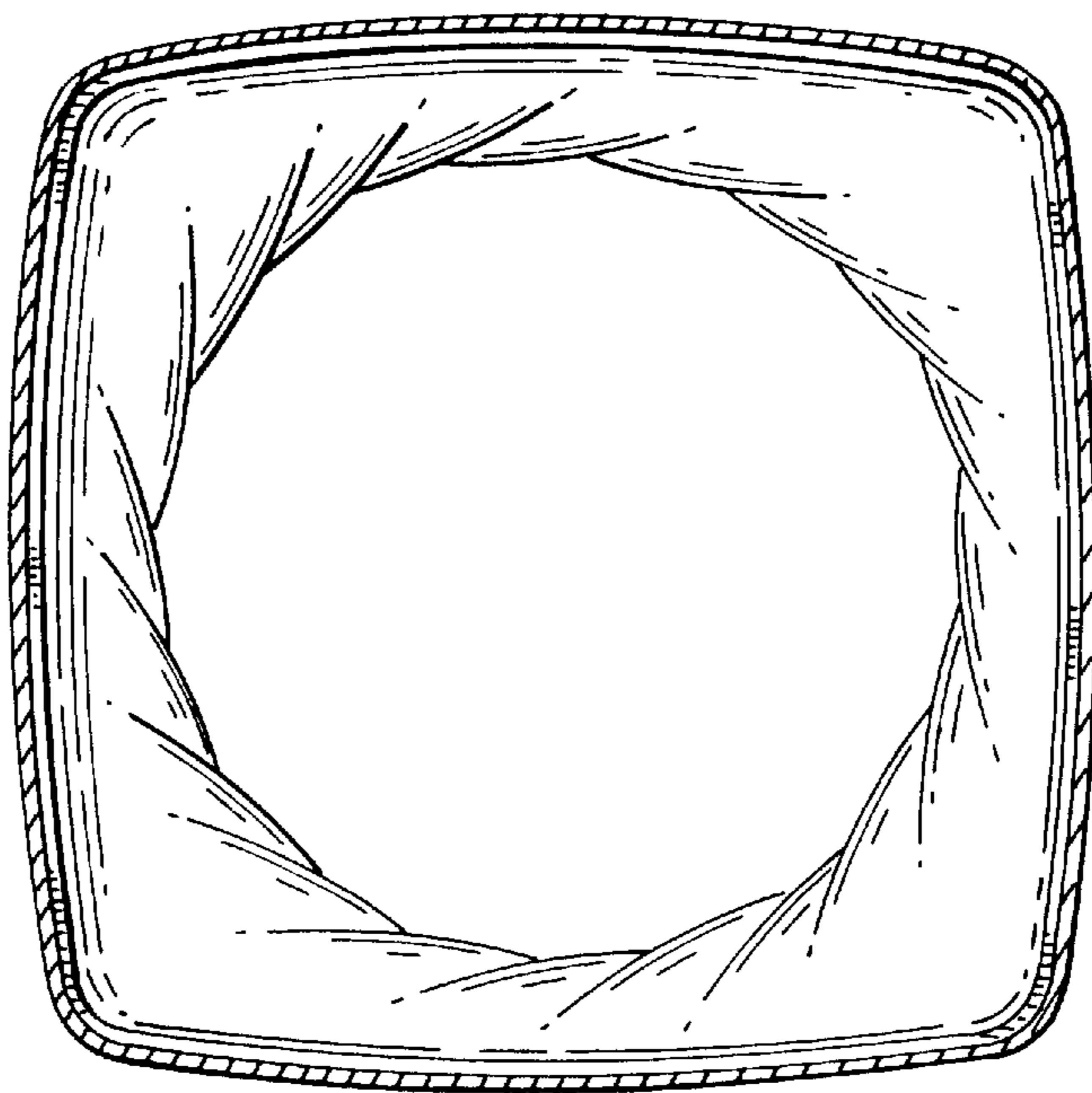


FIG. 5

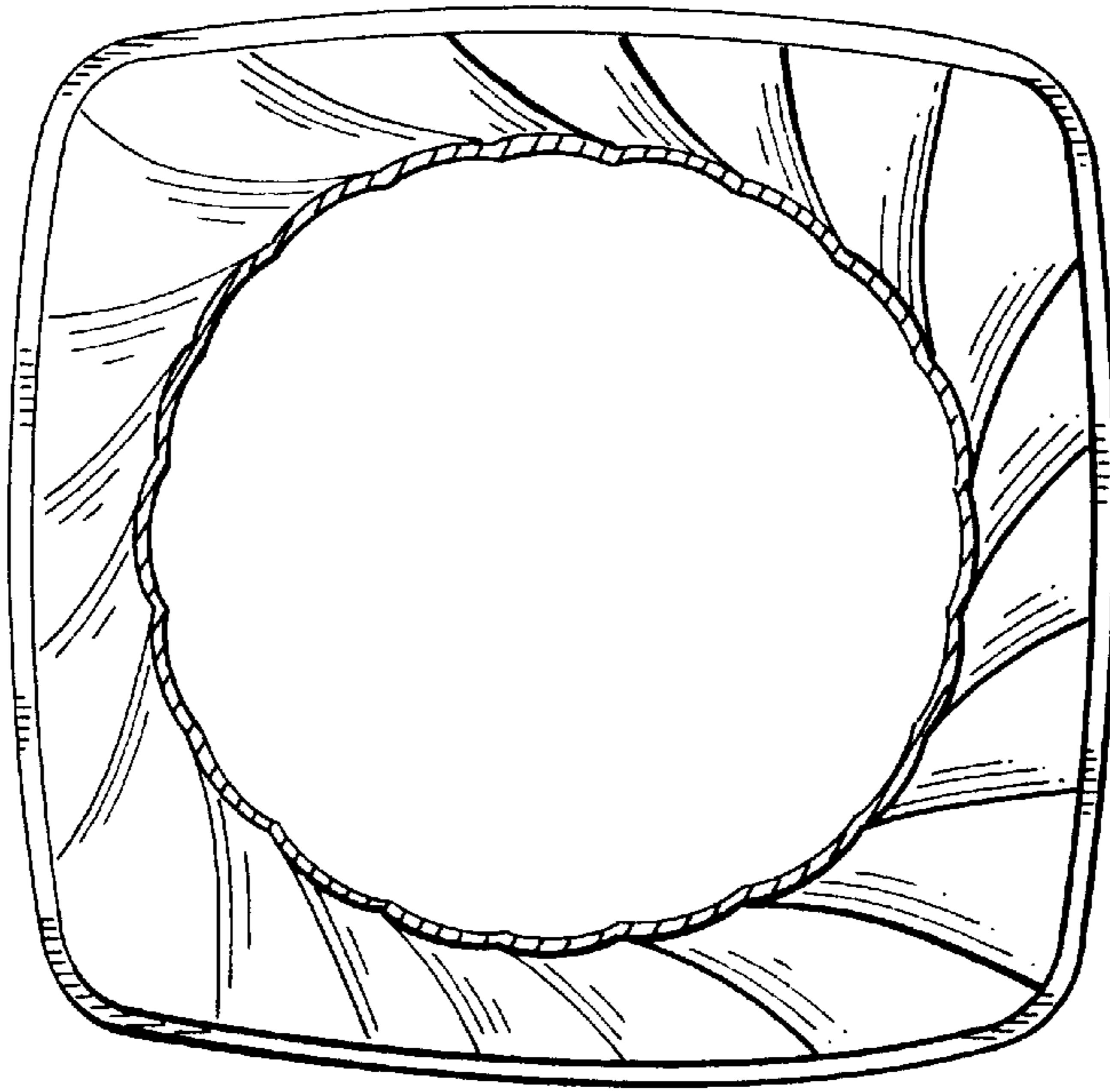


FIG. 6

