



US00D434666S

United States Patent [19]
Celaya

[11] **Patent Number: Des. 434,666**

[45] **Date of Patent: ** Dec. 5, 2000**

[54] **CONTAINER WITH HANDLE**

[75] Inventor: **Augustine Celaya**, Brownsville, Tex.

[73] Assignee: **Aloe Health LC**, Harlingen, Tex.

[**] Term: **14 Years**

[21] Appl. No.: **29/102,549**

[22] Filed: **Mar. 26, 1999**

[51] **LOC (7) Cl.** **09-03**

[52] **U.S. Cl.** **D9/528**

[58] **Field of Search** D9/305, 307, 337,
D9/339, 414, 435, 500, 502, 516, 520,
527, 528, 523, 530-531, 533, 538, 545,
549, 550, 551, 554, 556-558, 560, 575

[56] **References Cited**

U.S. PATENT DOCUMENTS

- D. 270,999 10/1983 Cook .
- D. 274,130 6/1984 Collins, II .
- D. 279,078 6/1985 Franchi et al. .
- D. 282,527 2/1986 Larson et al. .
- D. 284,641 7/1986 Jones .
- D. 286,615 11/1986 Lyons .
- D. 287,226 12/1986 Lyons D9/520
- D. 302,523 8/1989 Suhajda D9/528

- D. 304,999 12/1989 Platte, Sr. .
- D. 315,497 3/1991 Kamerichs et al. D9/528
- D. 324,495 3/1992 Warrington D9/528
- D. 345,303 3/1994 Sykes .
- D. 360,135 7/1995 Balz .
- D. 392,891 3/1998 Dallaire .
- D. 393,206 4/1998 McCurry, Jr. et al. D9/520
- D. 415,033 10/1999 Forcast et al. D9/528
- 4,412,633 11/1983 Guerrazzi et al. 215/398
- 4,804,119 2/1989 Goodall 215/398
- 4,805,793 2/1989 Brandt et al. D9/528
- 5,346,106 9/1994 Ring 215/398

Primary Examiner—Ted Shooman
Assistant Examiner—Carol Rademaker
Attorney, Agent, or Firm—Stevens, Davis, Miller & Mosher,
L.L.P.

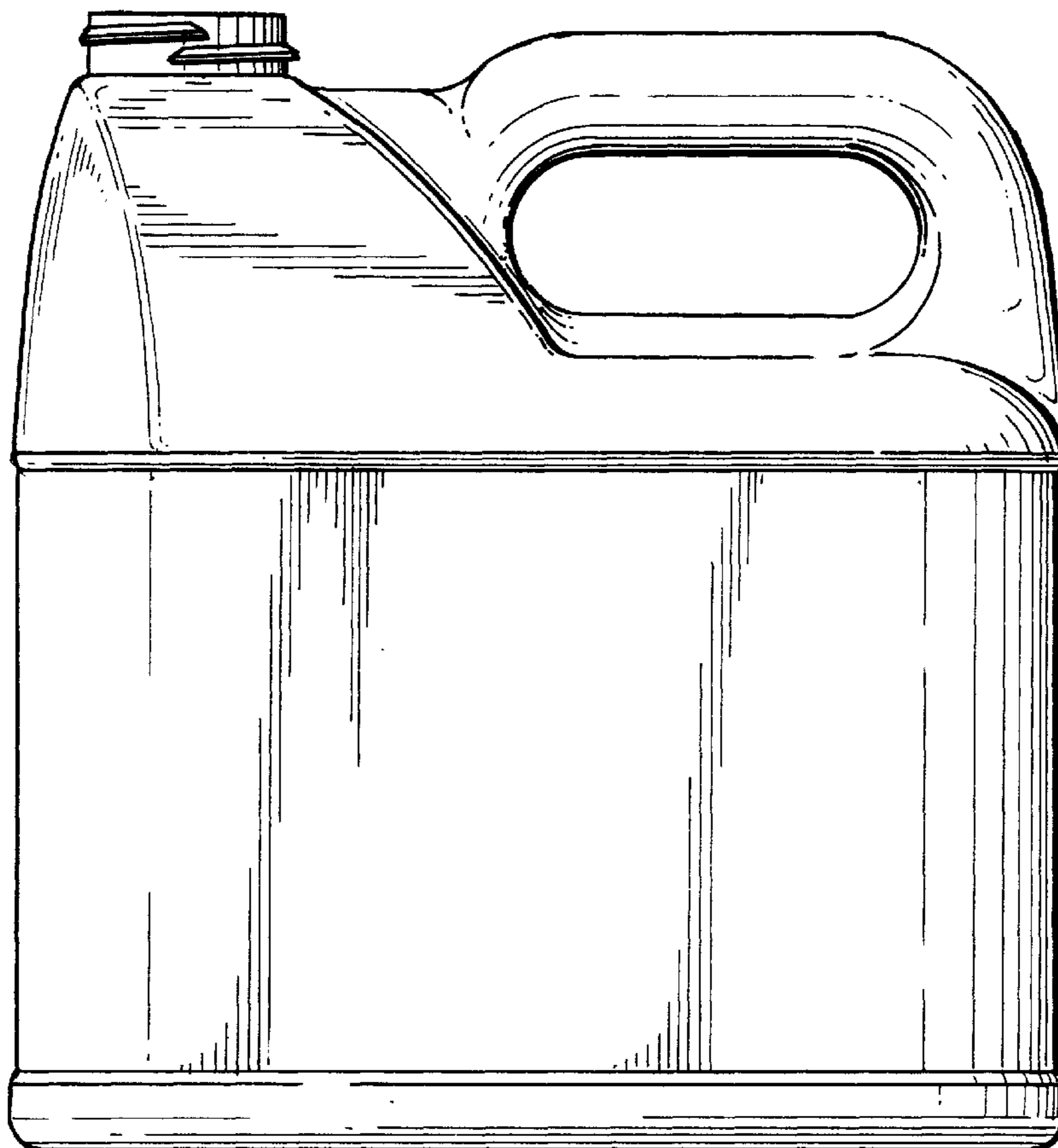
[57] **CLAIM**

The ornamental design for a container with handle, as shown and described.

DESCRIPTION

FIG. 1 is a front view of the container of the invention; FIG. 2 is a rear view of the container of the invention; FIG. 3 is a top view of the container of the invention; and, FIG. 4 is a side view of the container of the invention, the opposite side being a mirror image.

1 Claim, 3 Drawing Sheets



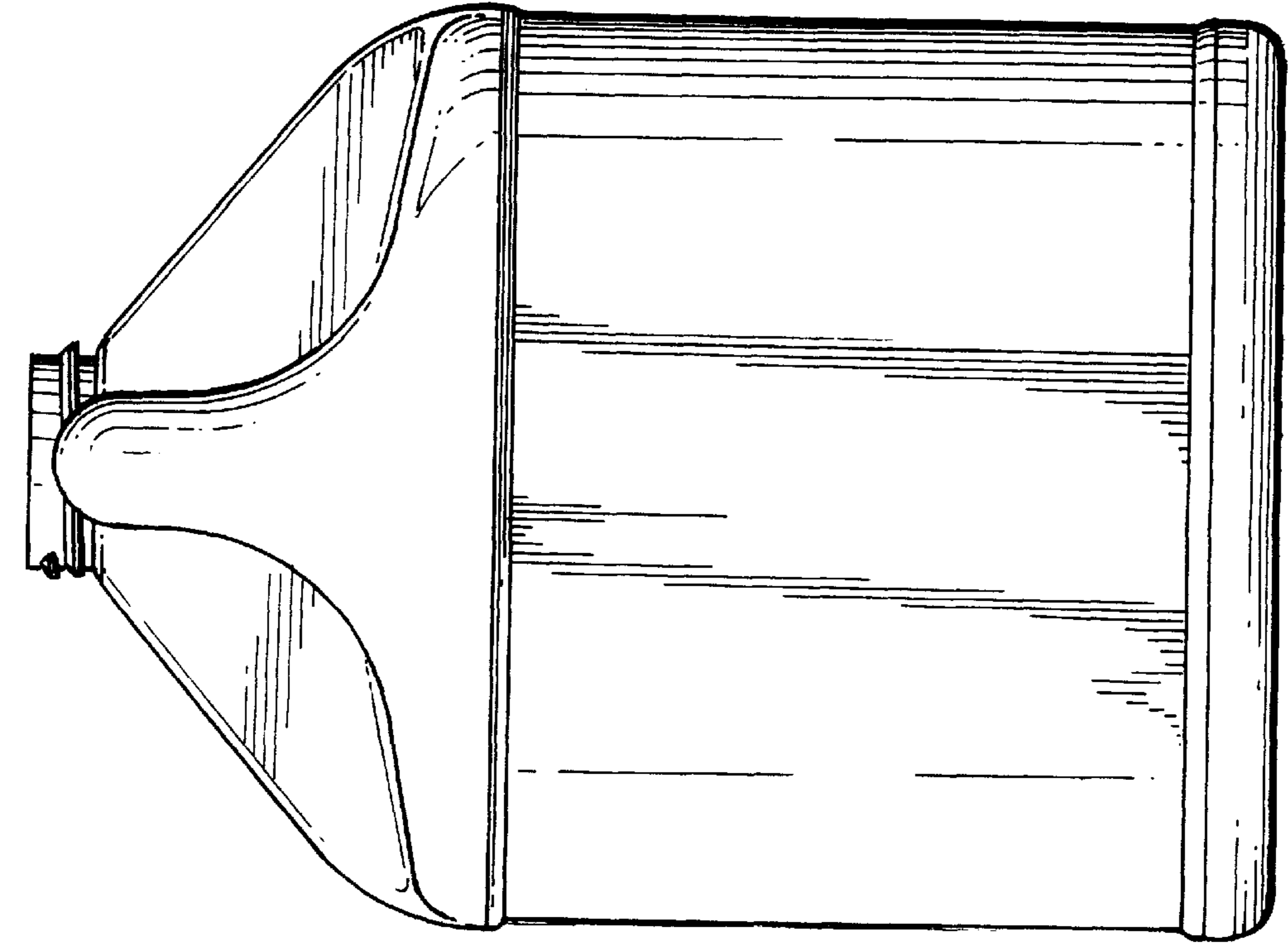


FIG. 1

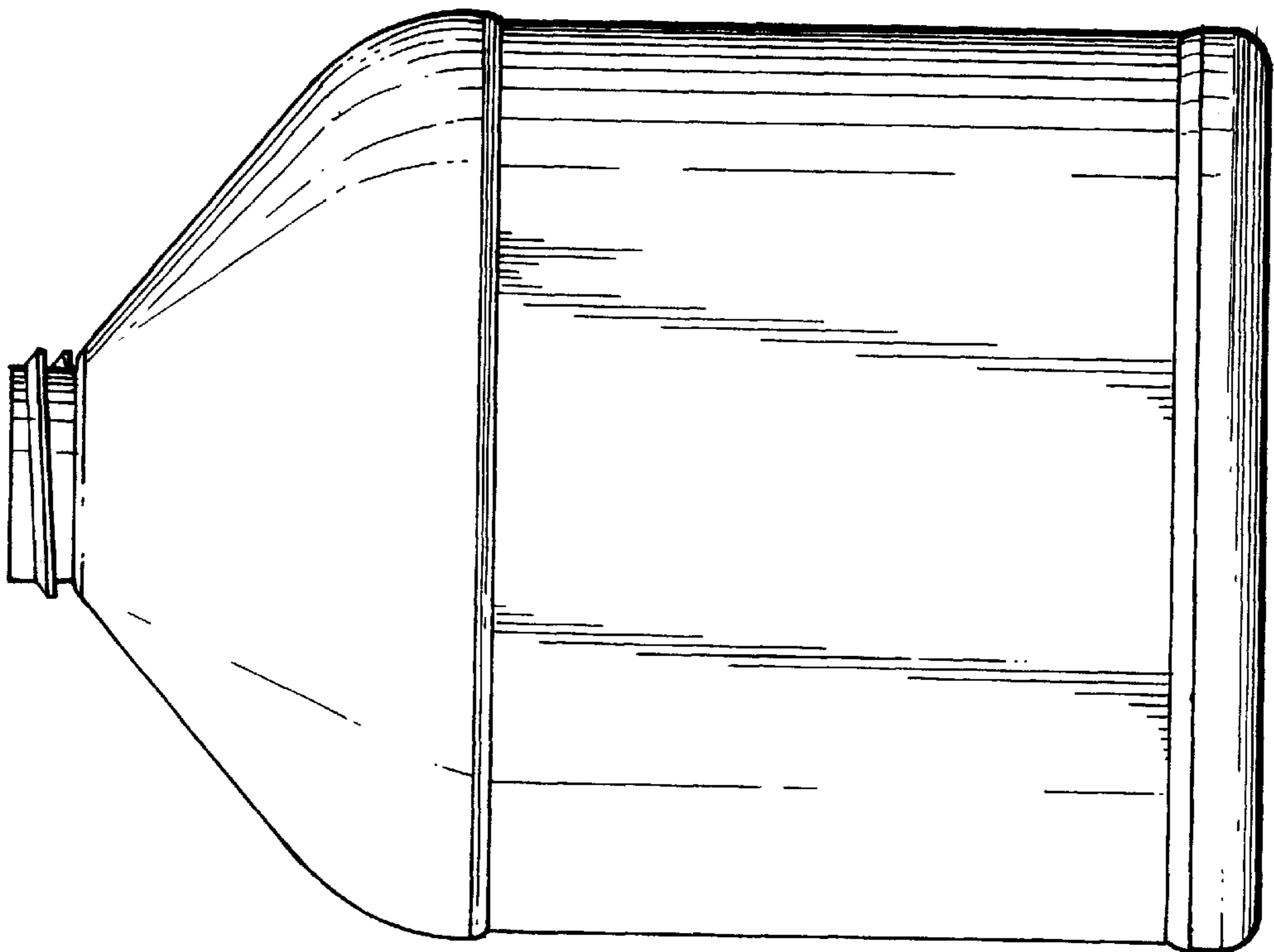
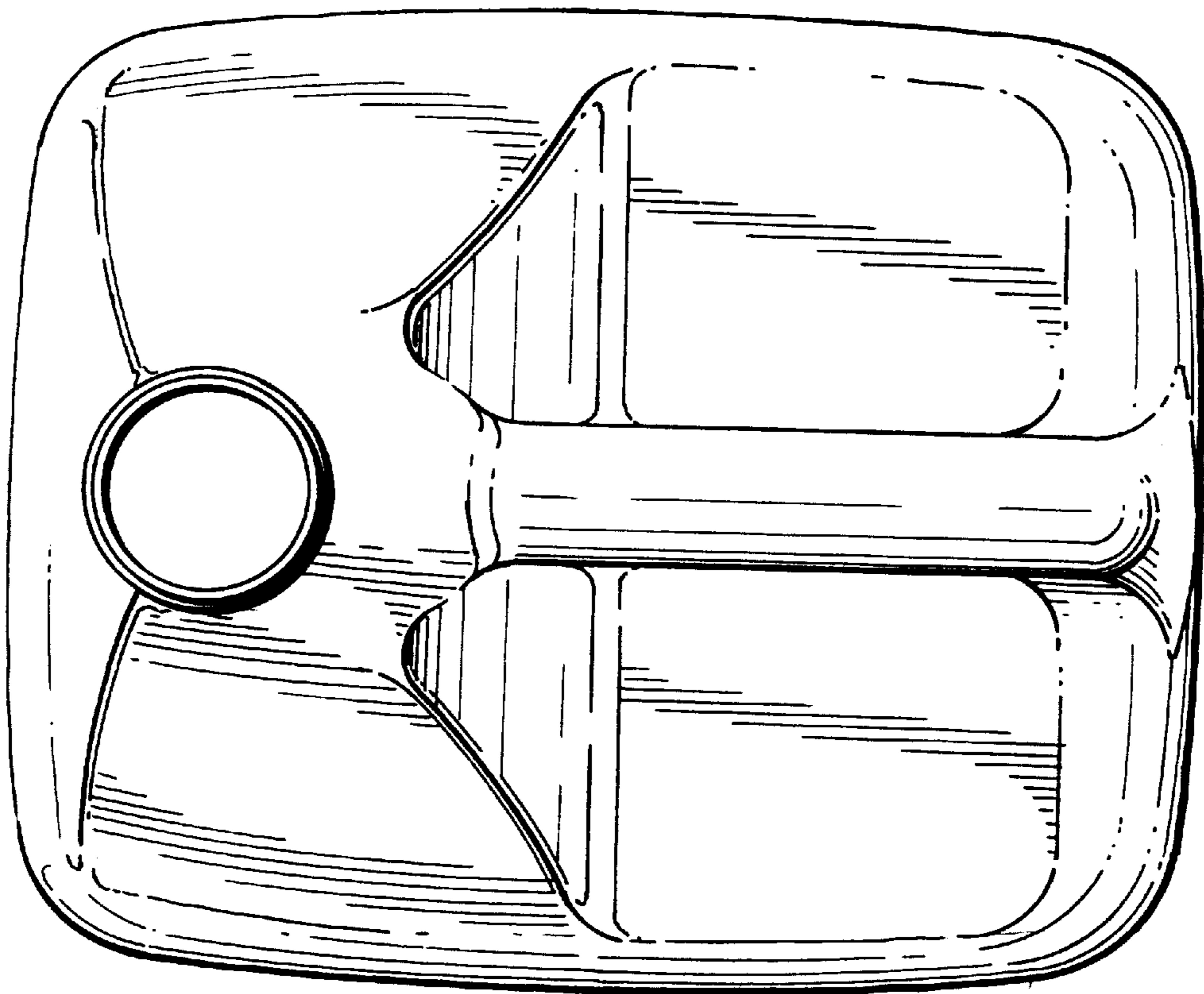


FIG. 2

FIG. 3



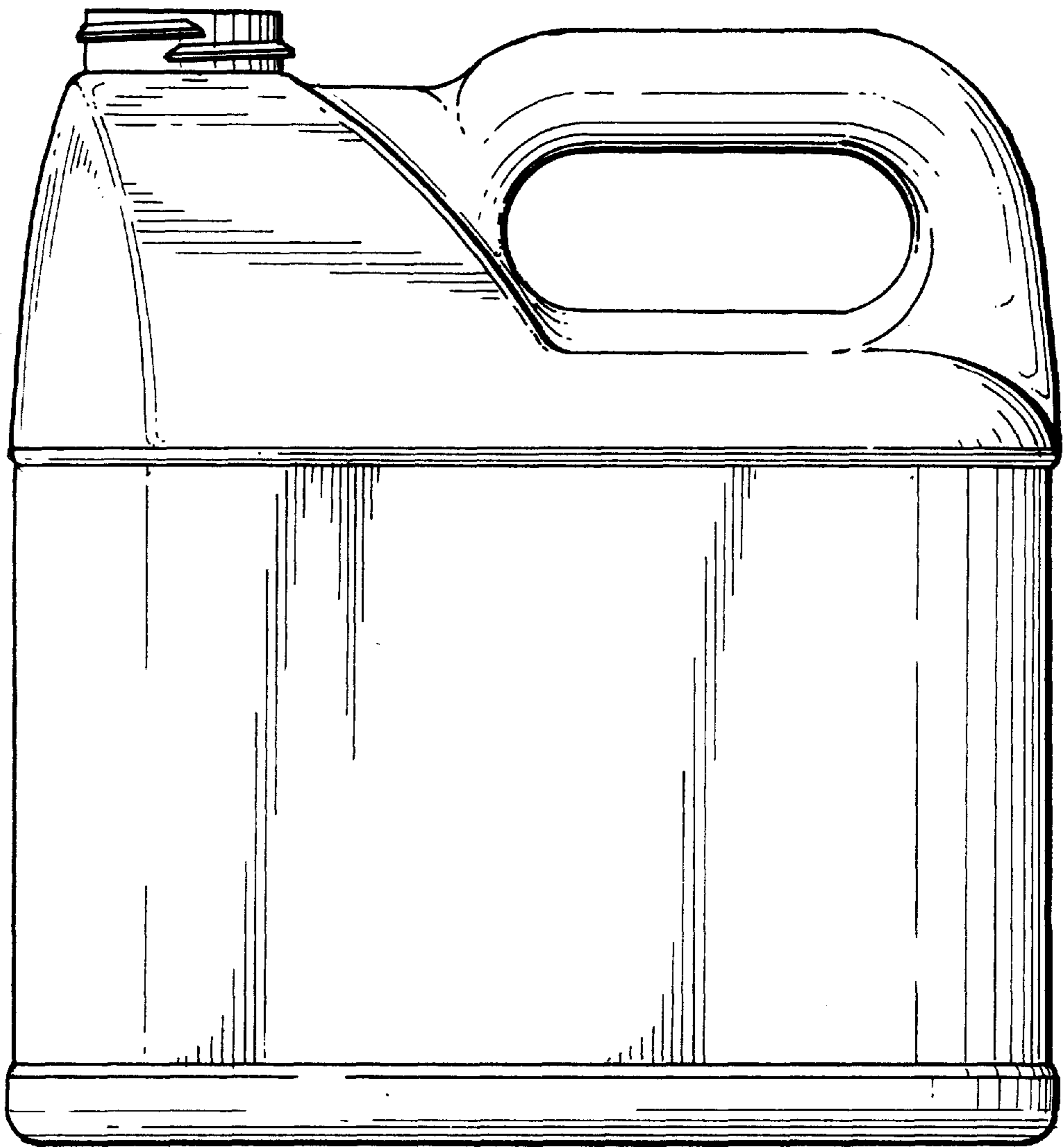


FIG. 4