



US00D434658S

**United States Patent** [19]  
**Geier**

[11] **Patent Number: Des. 434,658**

[45] **Date of Patent: \*\* Dec. 5, 2000**

[54] **DISPENSER**

[75] Inventor: **Adalbert Geier**, Trento, Italy

[73] Assignee: **Coster Tecnologie Speciali S.p.A.**,  
Calceranica al Lago, Italy

[\*\*] Term: **14 Years**

[21] Appl. No.: **29/106,341**

[22] Filed: **Jun. 11, 1999**

[51] **LOC (7) Cl.** ..... **09-07**

[52] **U.S. Cl.** ..... **D9/448**

[58] **Field of Search** ..... D9/300, 447, 448,  
D9/449; 222/402.13, 402.21, 513, 518,  
522; 239/343, 524, 590.3

[56] **References Cited**

**U.S. PATENT DOCUMENTS**

D. 89,544	3/1933	Inocencio	.....	D9/447
D. 182,444	4/1958	Sinclair et al.	.....	D9/449
D. 206,411	12/1966	Marona	.....	D9/447
D. 277,827	3/1985	Olsson	.....	D9/447
D. 380,384	7/1997	Ferrara, Jr.	.....	D9/448
D. 411,452	6/1999	Geier	.....	D9/448

*Primary Examiner*—Robert M. Spear  
*Attorney, Agent, or Firm*—Jansson, Shupe, Bridge &  
Munger, Ltd.

[57] **CLAIM**

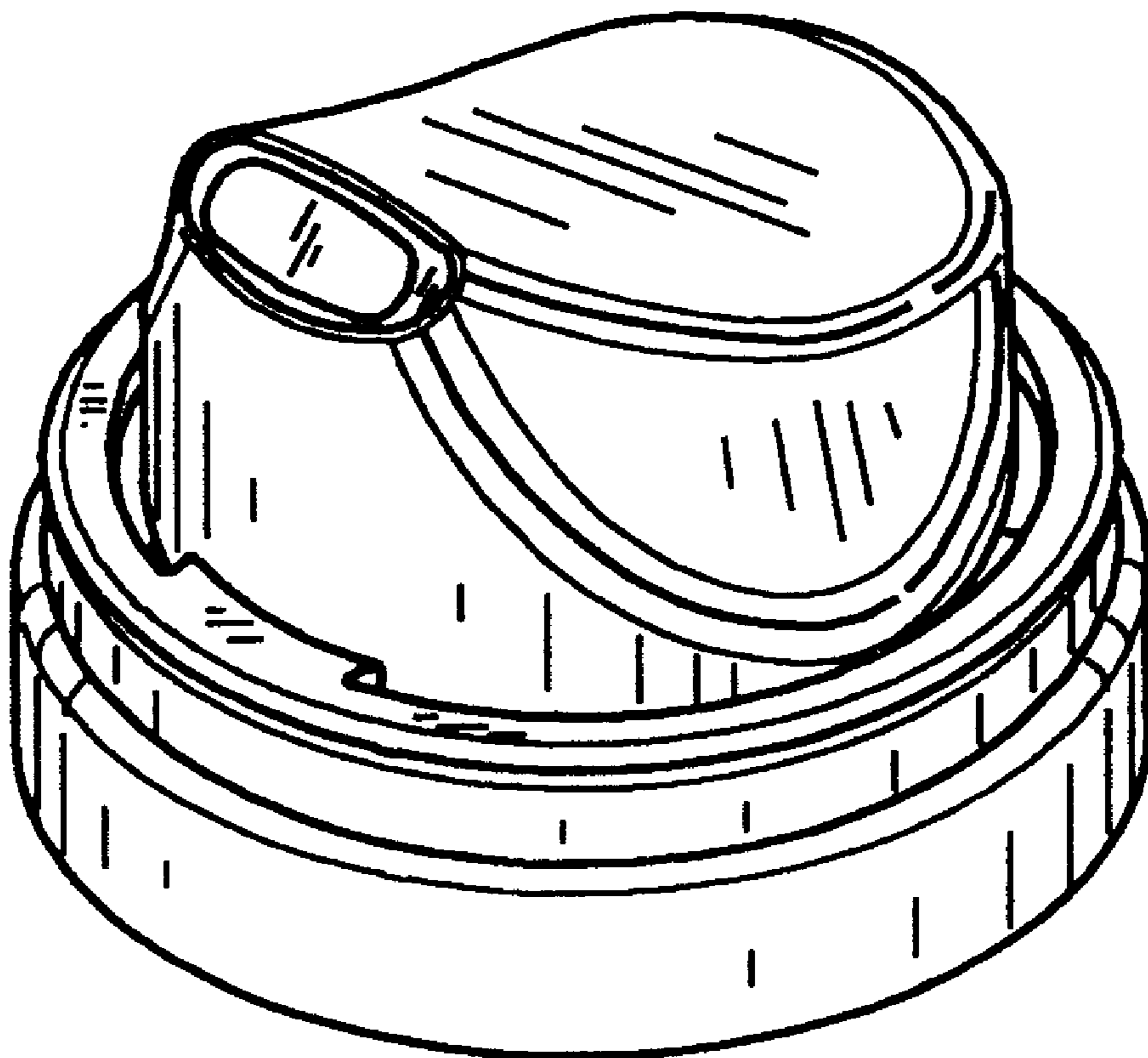
The ornamental design for a dispenser, as shown and described.

**DESCRIPTION**

FIG. 1 is a front, isometric view of a first embodiment of the dispenser of the present invention; FIG. 2 is a rear, isometric view of the dispenser of FIG. 1; FIG. 3 is a top plan view of the dispenser of FIG. 1; FIG. 4 is a rear elevational view of the dispenser of FIG. 1; FIG. 5 is a side elevational view of the dispenser of FIG. 1, the opposite side elevational view being a mirror image thereof; FIG. 6 is a front elevational view of the dispenser of FIG. 1; FIG. 7 is a front, isometric view of a second embodiment of the dispenser of the present invention; FIG. 8 is a rear, isometric view of the dispenser of FIG. 7; FIG. 9 is a top plan view of the dispenser of FIG. 7; FIG. 10 is a rear elevational view of the dispenser of FIG. 7; FIG. 11 is a side elevational view of the dispenser of FIG. 7, the opposite side elevational view being a mirror image thereof; and, FIG. 12 is a front elevational view of the dispenser of FIG. 7.

The surfaces or portions of the article not shown in the drawing or described in the specification form no part of the claimed design.

**1 Claim, 2 Drawing Sheets**



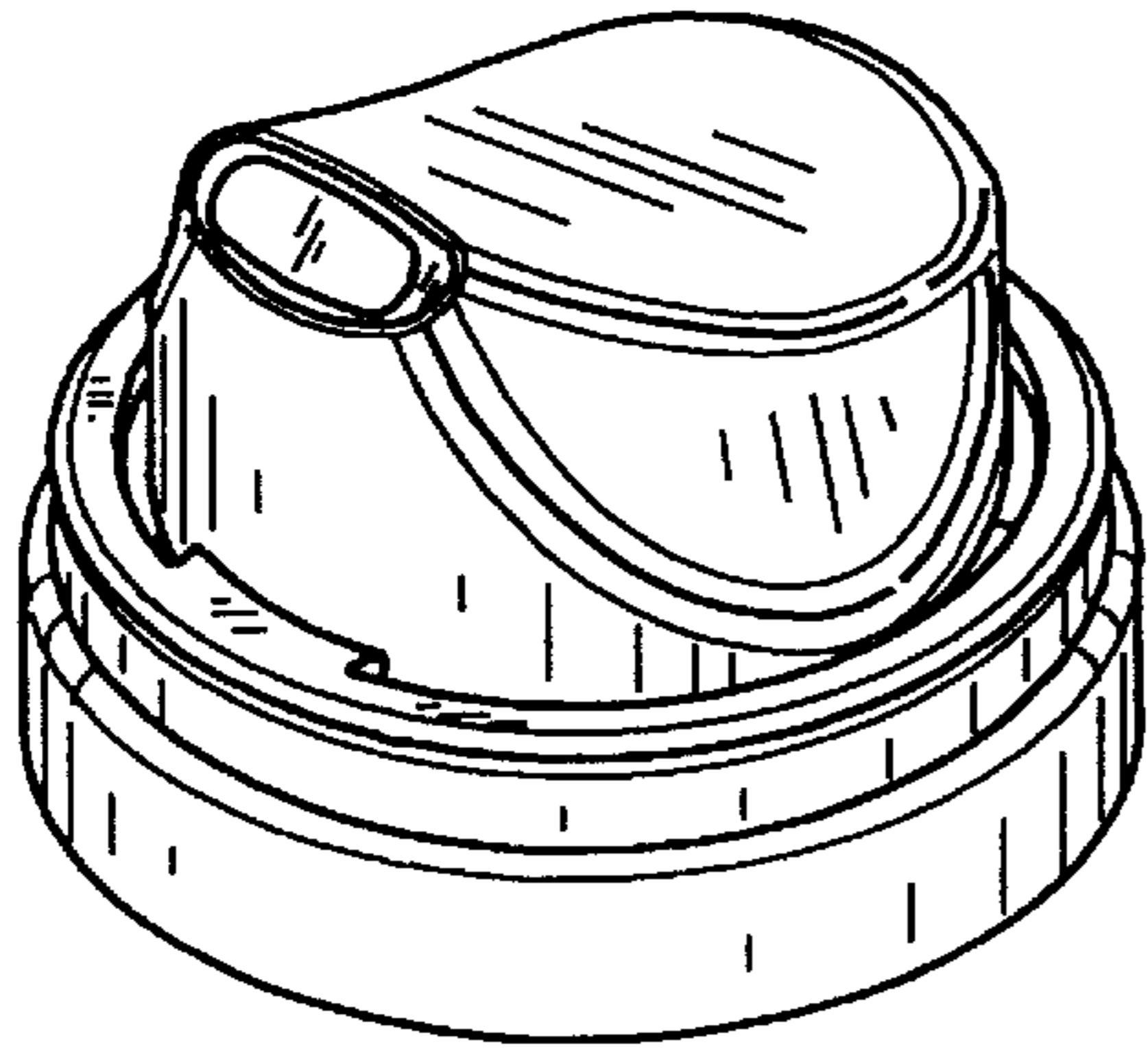


FIG. 1

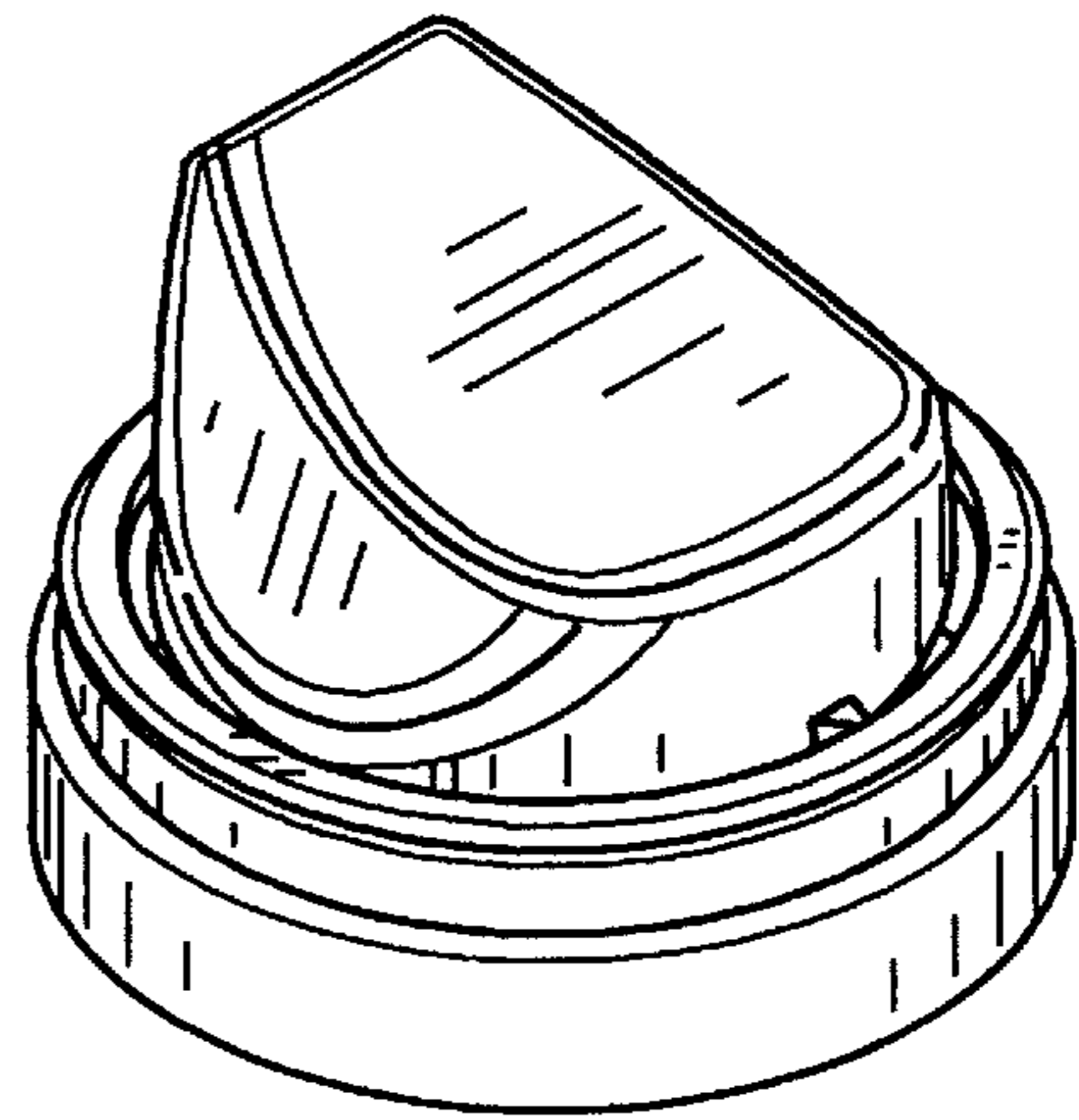


FIG. 2

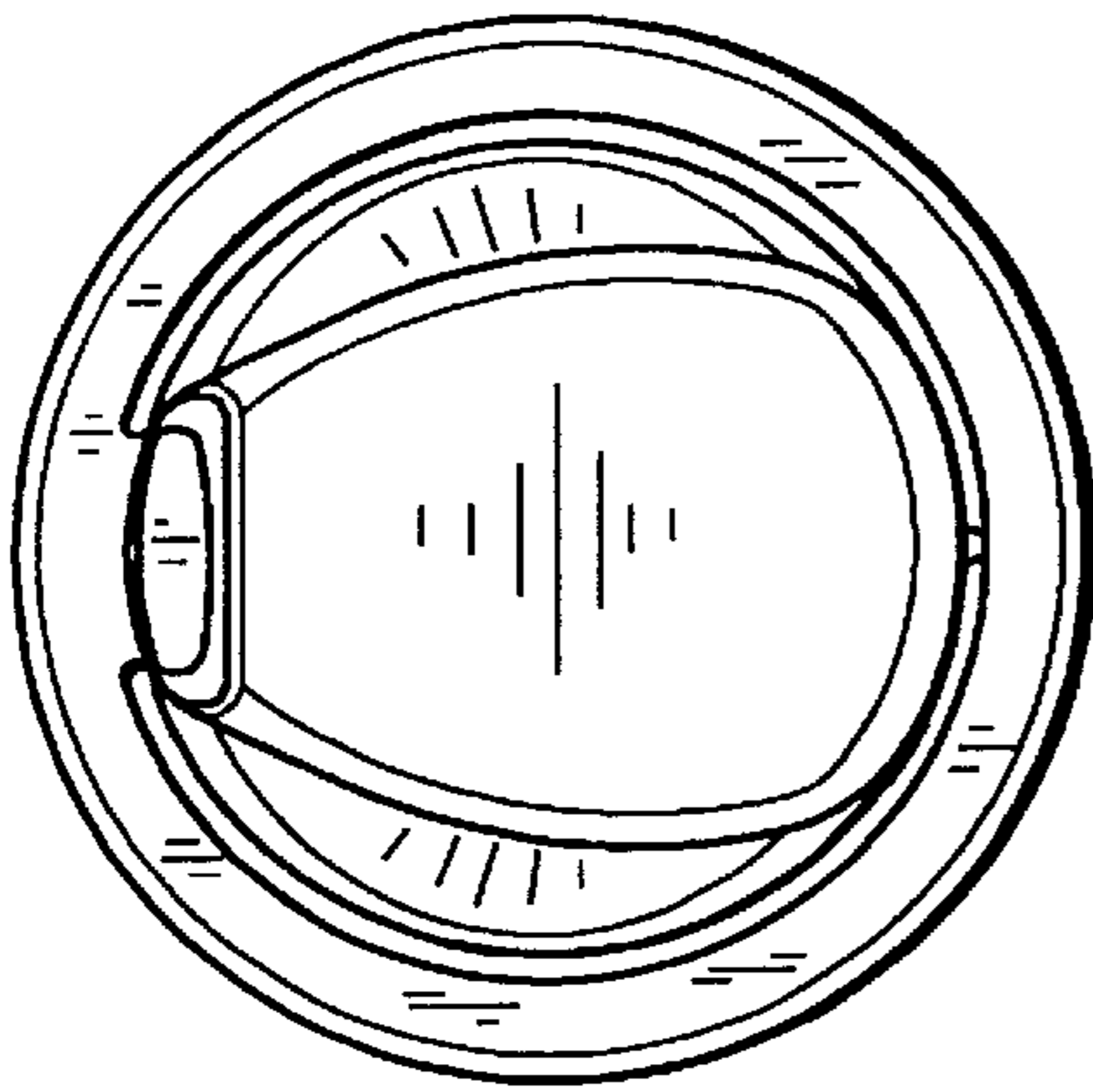


FIG. 3

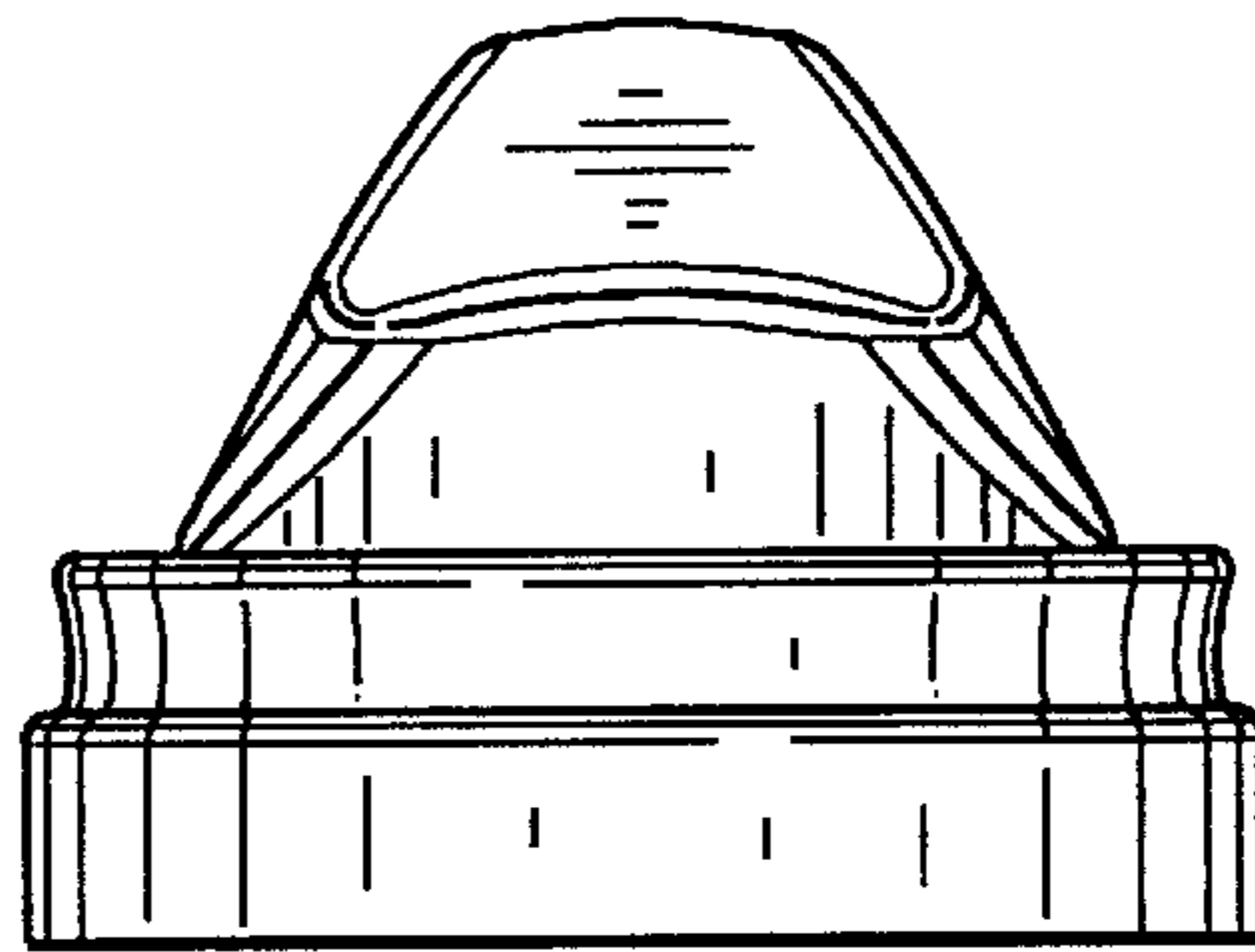


FIG. 4

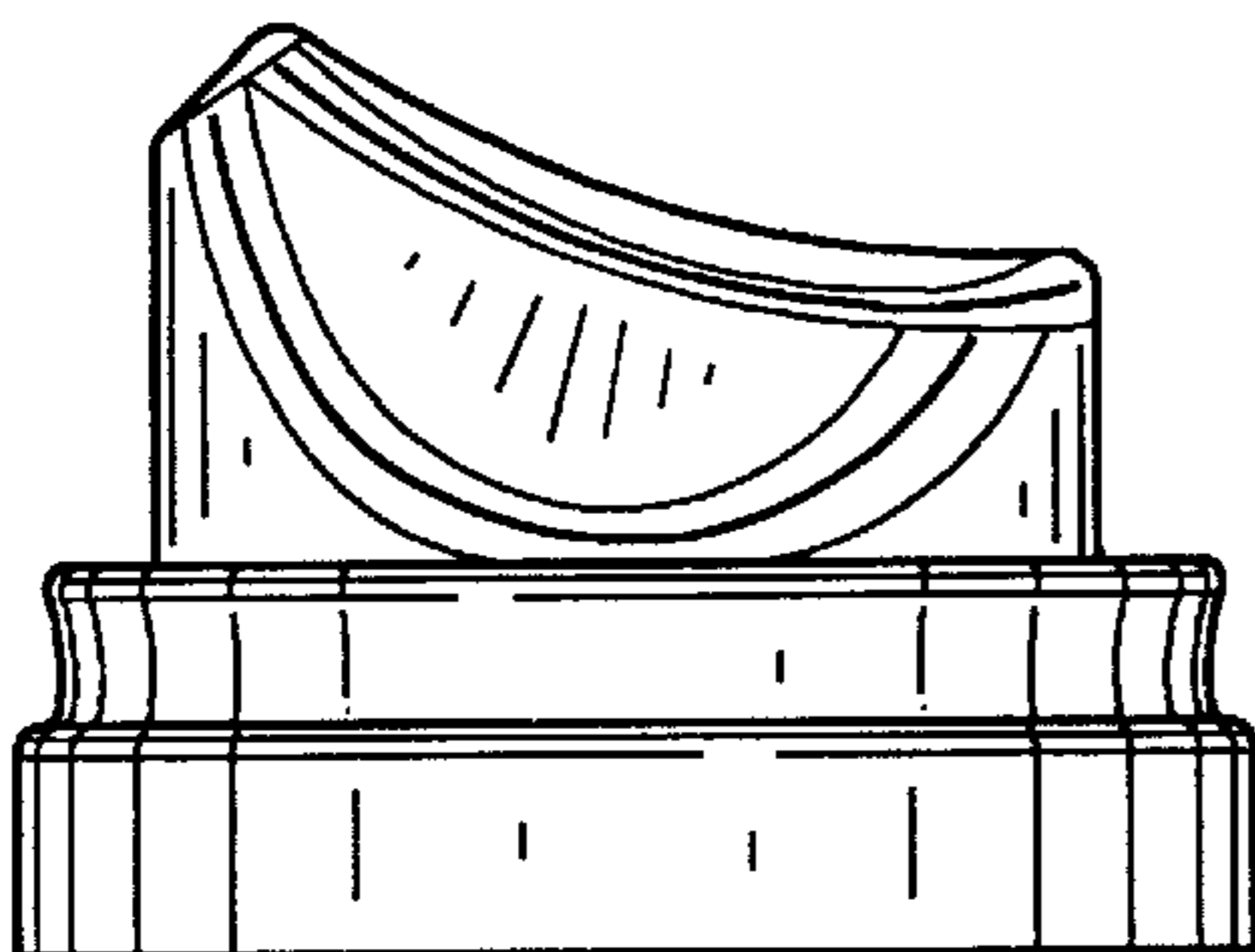


FIG. 5

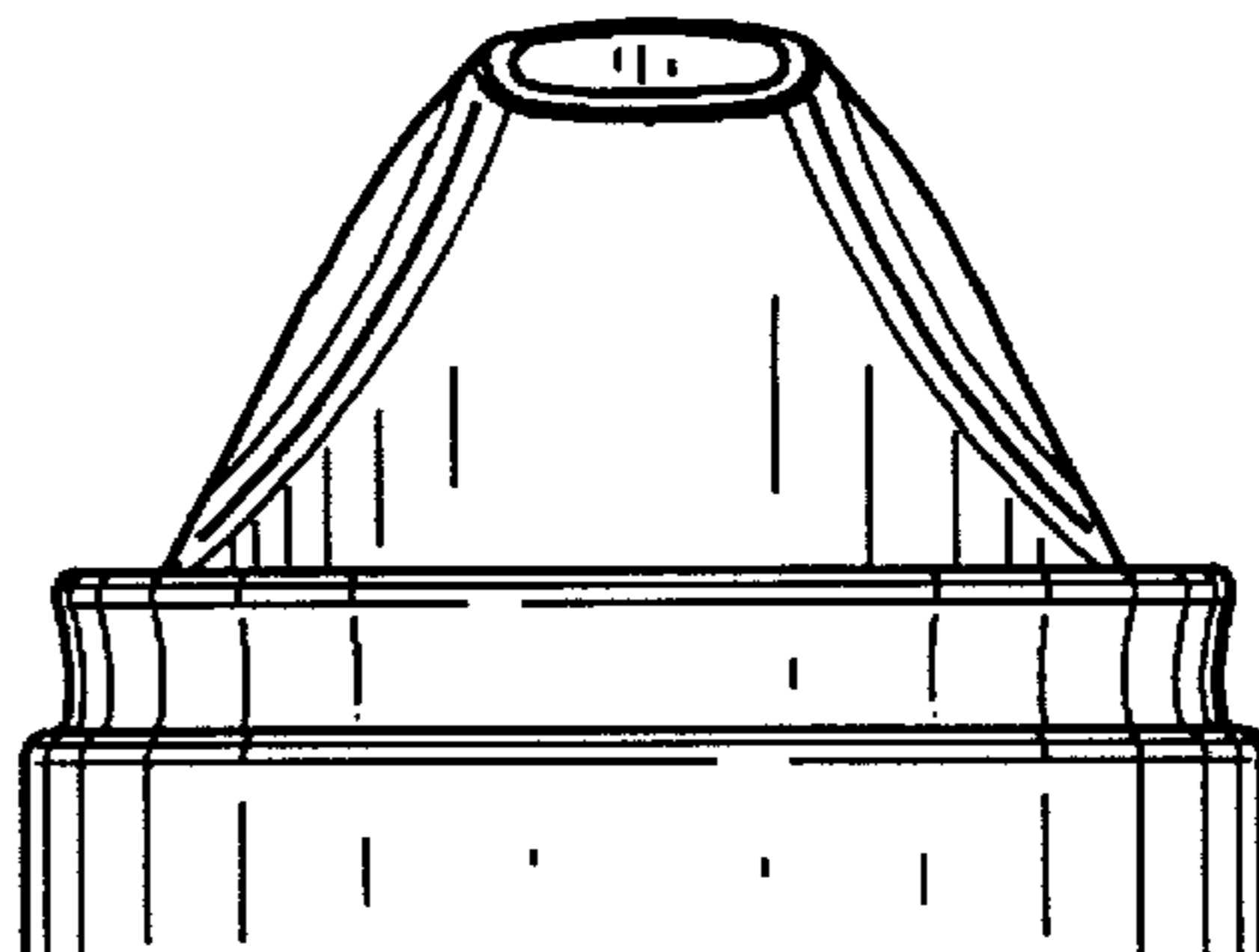


FIG. 6

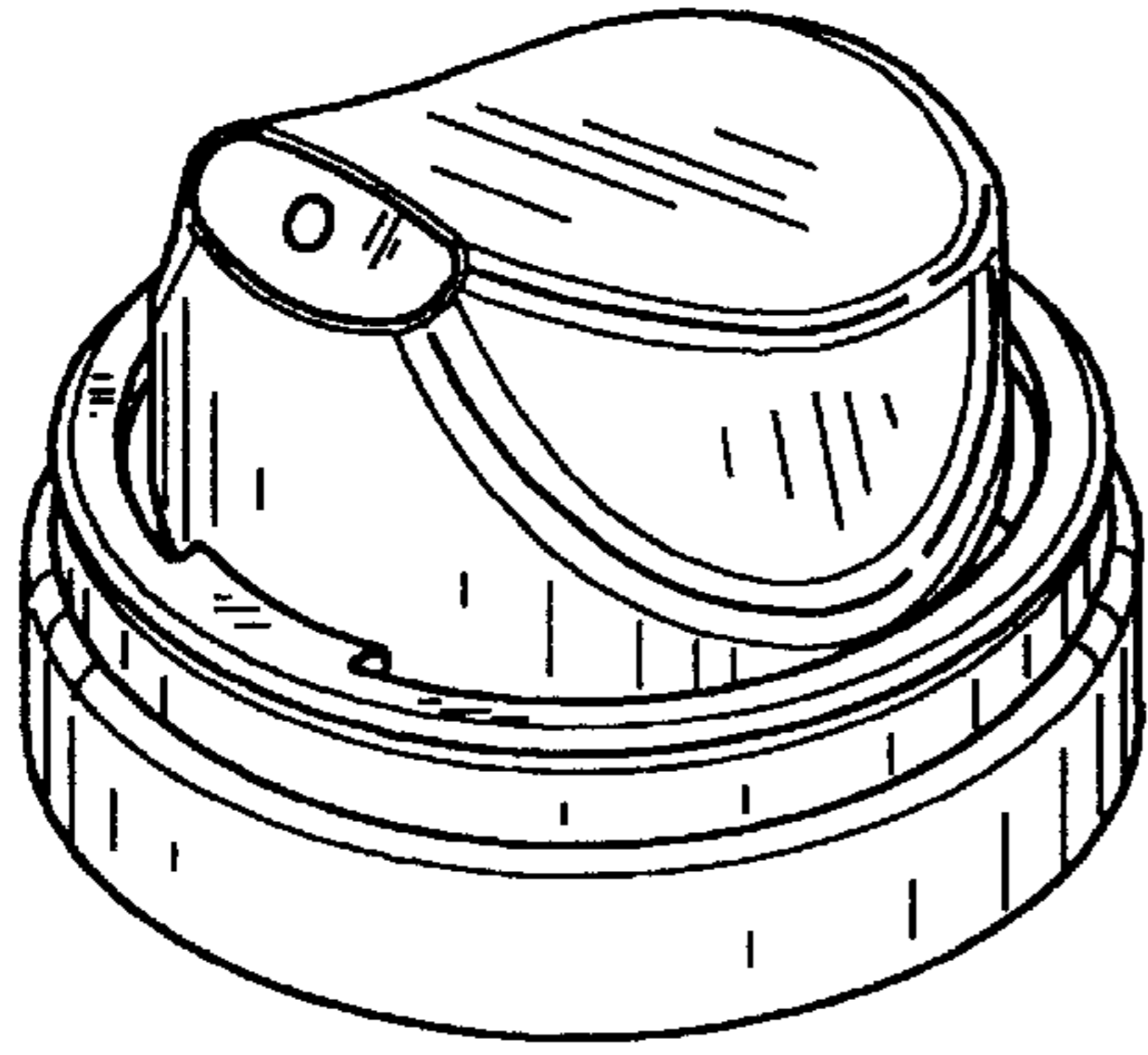


FIG. 7

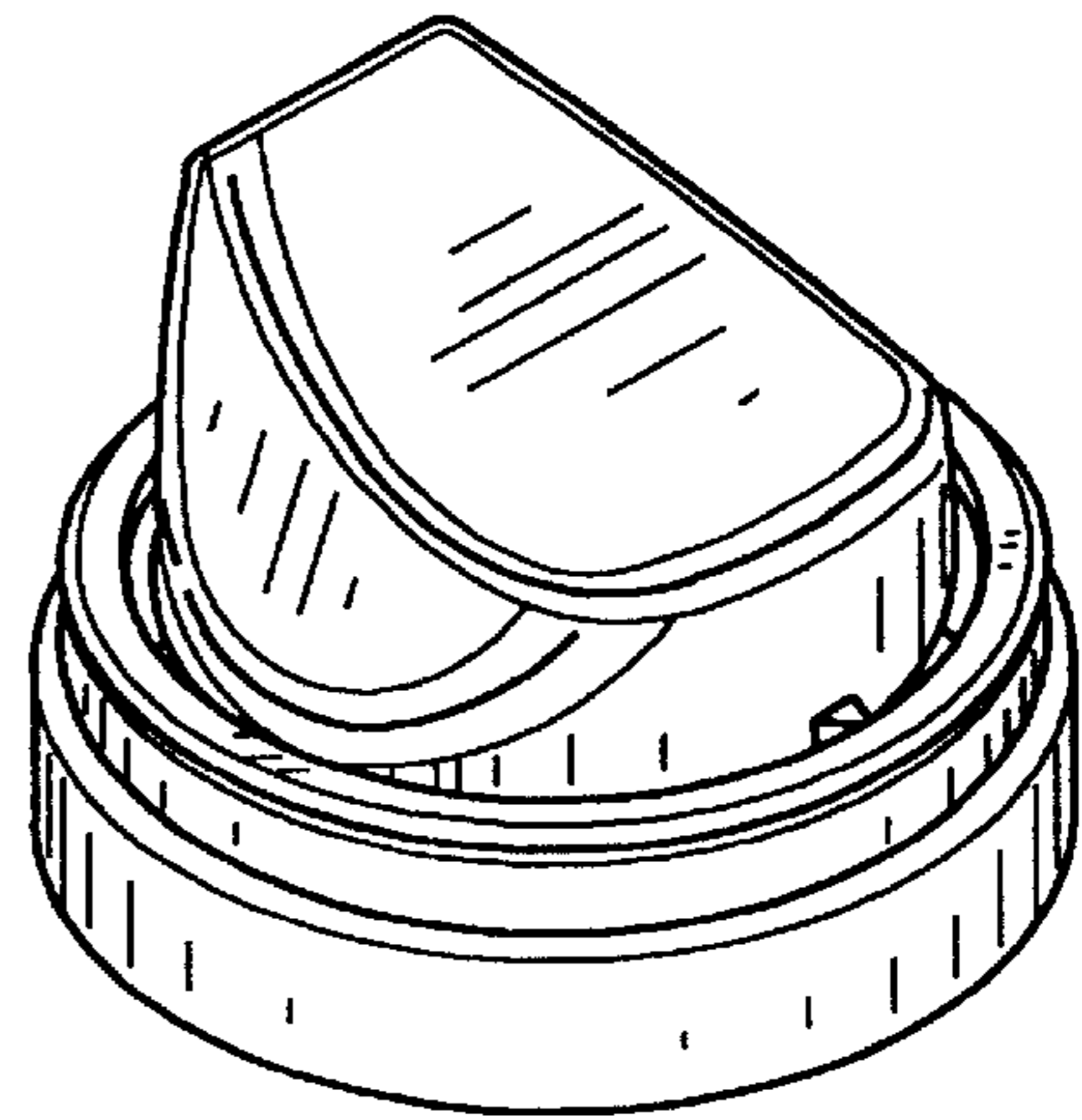


FIG. 8

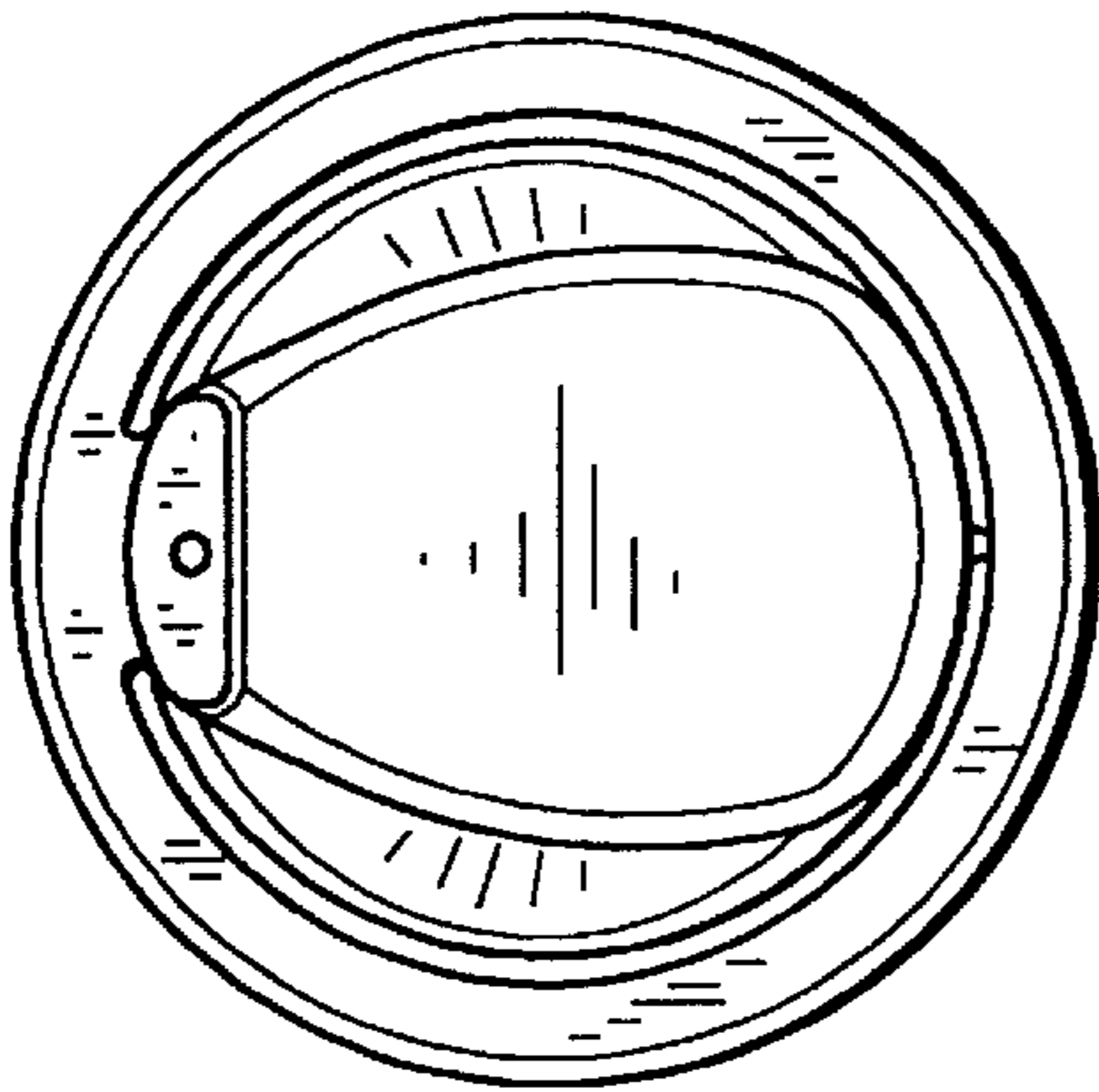


FIG. 9

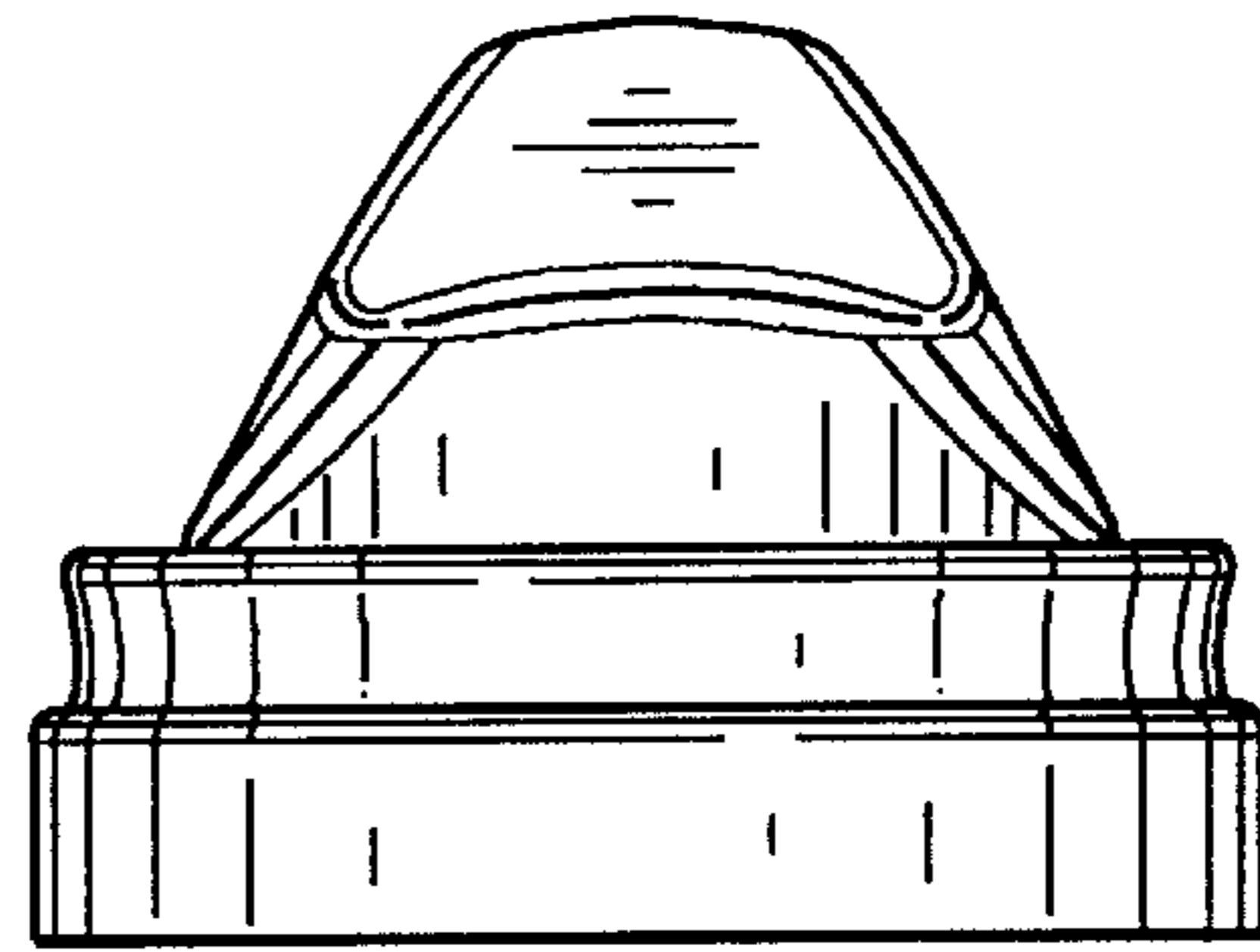


FIG. 10

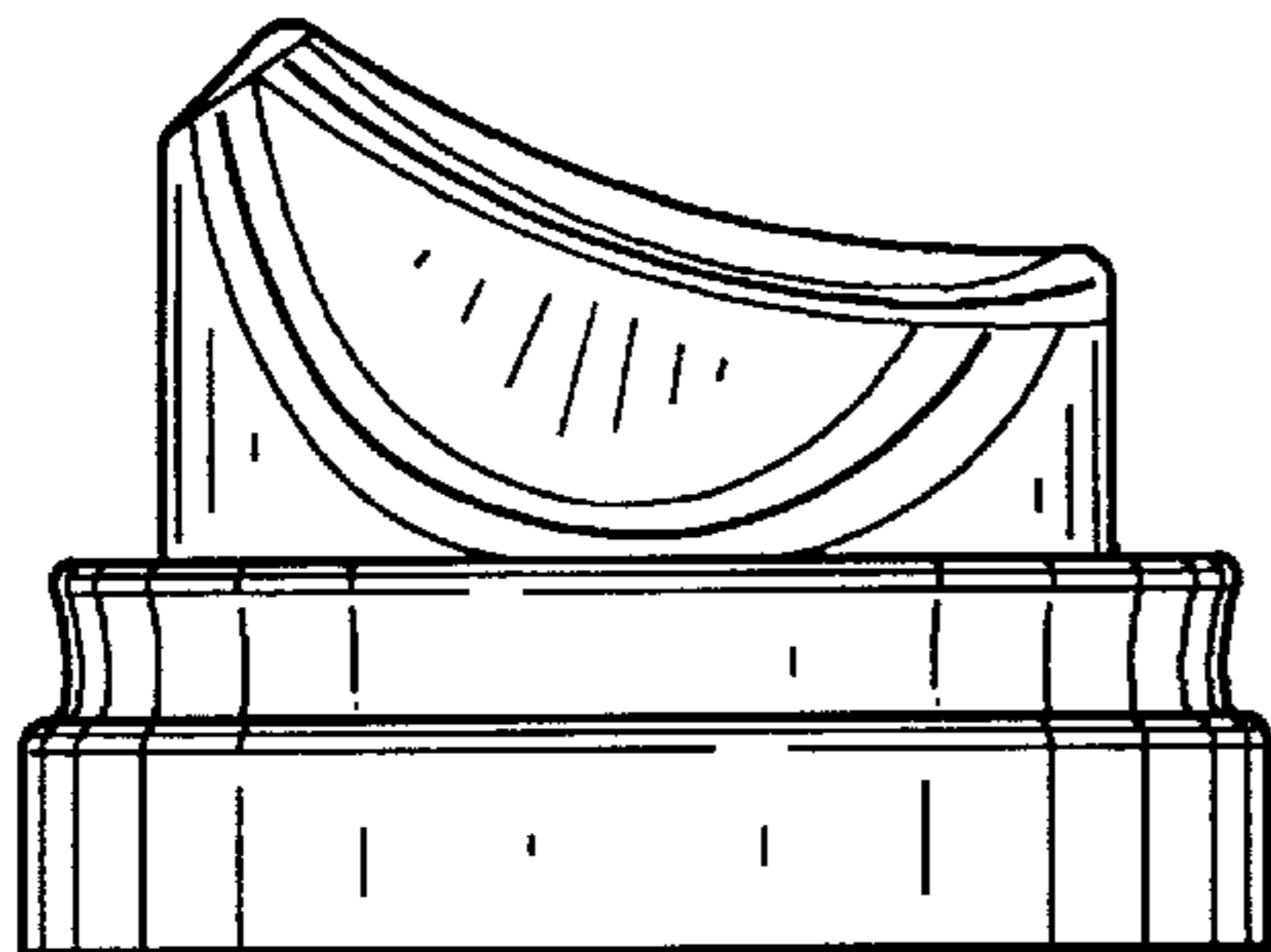


FIG. 11

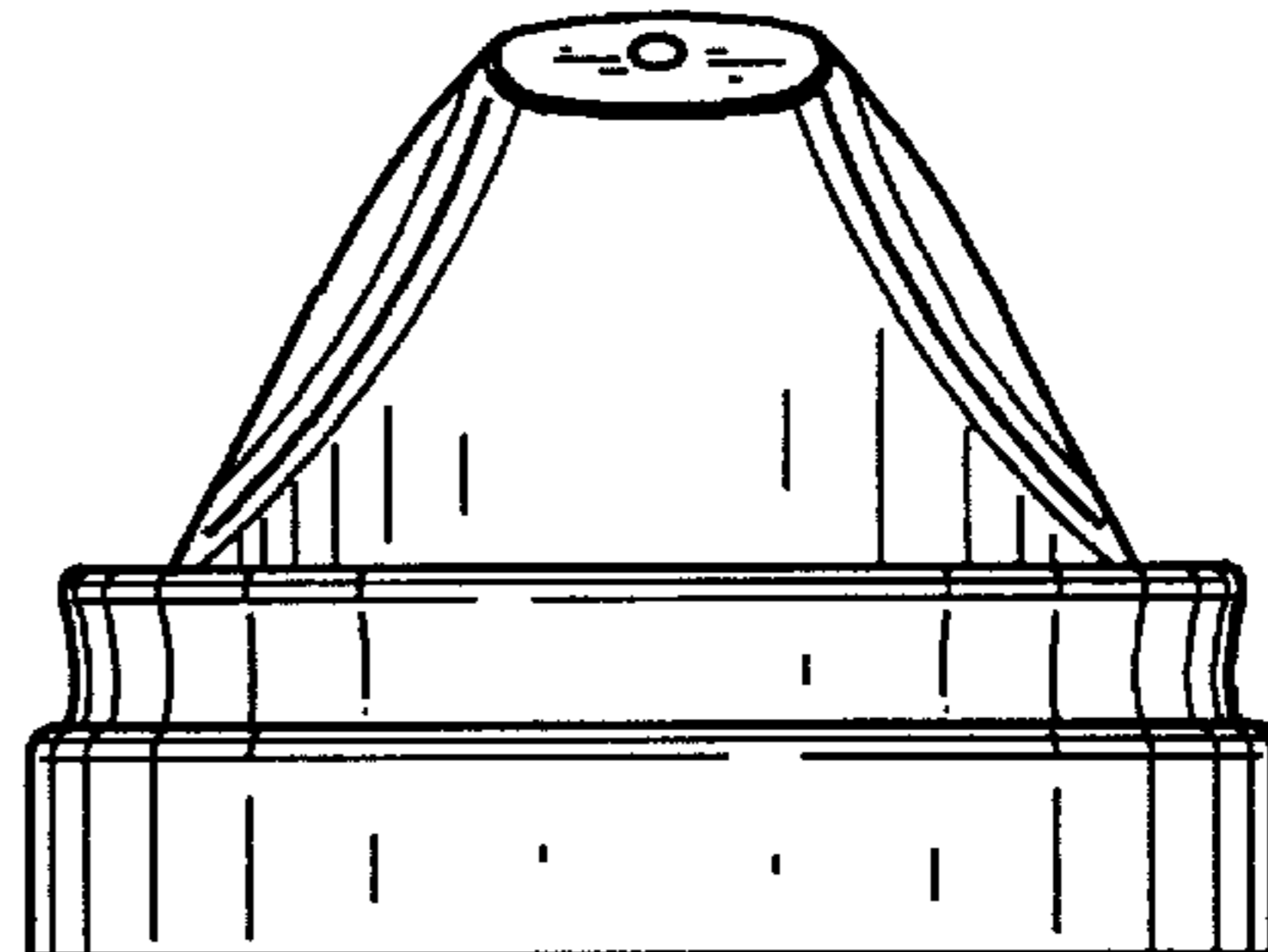


FIG. 12

UNITED STATES PATENT AND TRADEMARK OFFICE  
CERTIFICATE OF CORRECTION

PATENT NO : D434,658

DATED : December 5, 2000

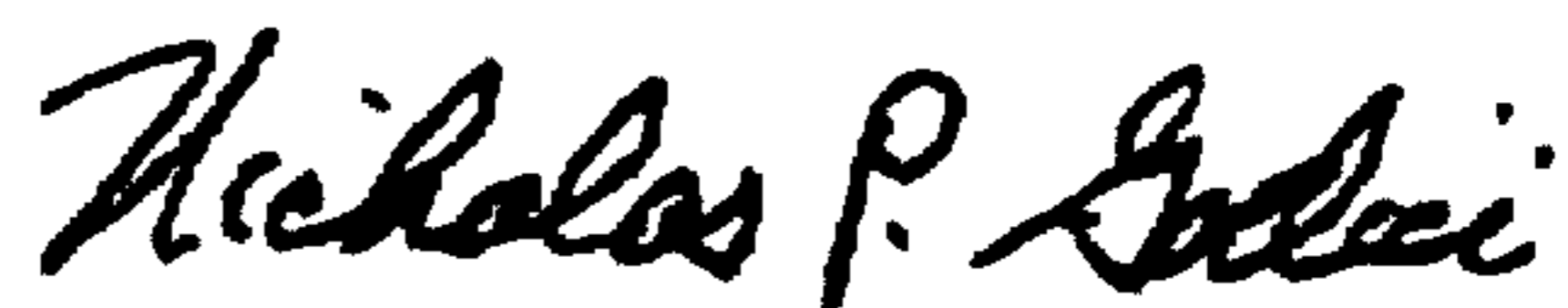
INVENTOR(S): Adalbert Geier

It is certified that an error appears in the above-identified patent and that said Letters Patent are hereby corrected as shown below:

On the title page, item [73], change Coster Tecnologie Speciali S.p.A. to read ---Coster  
Tecnologie Speciali S.p.A. ---

Signed and Sealed this  
Twenty-second Day of May, 2001

*Attest:*



NICHOLAS P. GODICI

*Attesting Officer*

*Acting Director of the United States Patent and Trademark Office*