



US00D434647S

# United States Patent [19]

Appelbaum et al.

[11] Patent Number: **Des. 434,647**

[45] Date of Patent: **\*\* Dec. 5, 2000**

[54] **PACKAGING FOR PENS**

[76] Inventors: **Paul Appelbaum**, 16371 Wimbledon La., Huntington Beach, Calif. 92649;  
**Steve Milburn**, 14450 Industry Cir., La Mirada, Calif. 90638

[\*\*] Term: **14 Years**

[21] Appl. No.: **29/114,870**

[22] Filed: **Dec. 3, 1999**

[51] **LOC (7) Cl.** ..... **09-07**

[52] **U.S. Cl.** ..... **D9/415**

[58] **Field of Search** ..... D9/415, 418, 337,  
D9/457, 341; D19/35, 36, 41, 54, 58; 206/214,  
215, 575, 224, 461-471, 495, 806, 7.1;  
40/905

[56] **References Cited**

**U.S. PATENT DOCUMENTS**

D. 265,976 8/1982 Astor et al. .... D9/415

1,176,786	3/1916	Stranders	.....	206/7.1 X
1,446,741	2/1923	Faber	.....	206/1.7
1,784,952	12/1930	Wolfson	.....	206/214 X
3,420,361	1/1969	Newberg	.....	206/214 X
5,248,030	9/1993	Tarozzi	.....	206/214 X

*Primary Examiner*—Prabhakar Deshmukh  
*Attorney, Agent, or Firm*—C. Corbin

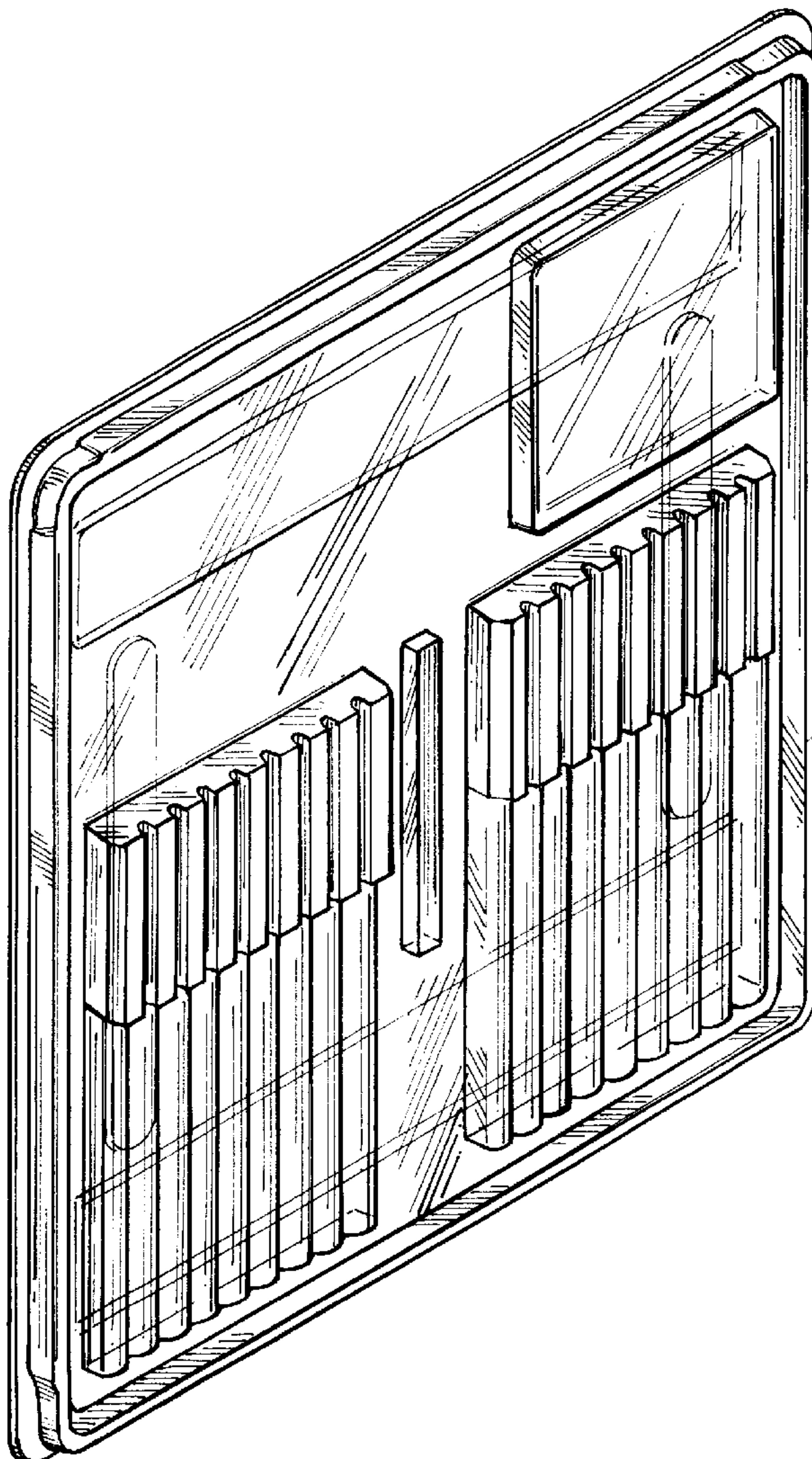
[57] **CLAIM**

The ornamental design for packaging for pens, as shown and described.

**DESCRIPTION**

FIG. 1 is a front elevational view of packaging for pens showing our new design;  
FIG. 2 is a rear elevational view thereof;  
FIG. 3 is a right side elevational view thereof;  
FIG. 4 is a left side view thereof;  
FIG. 5 is a top plan view thereof;  
FIG. 6 is a bottom plan view thereof; and,  
FIG. 7 is an upper left front perspective view thereof.

**1 Claim, 2 Drawing Sheets**



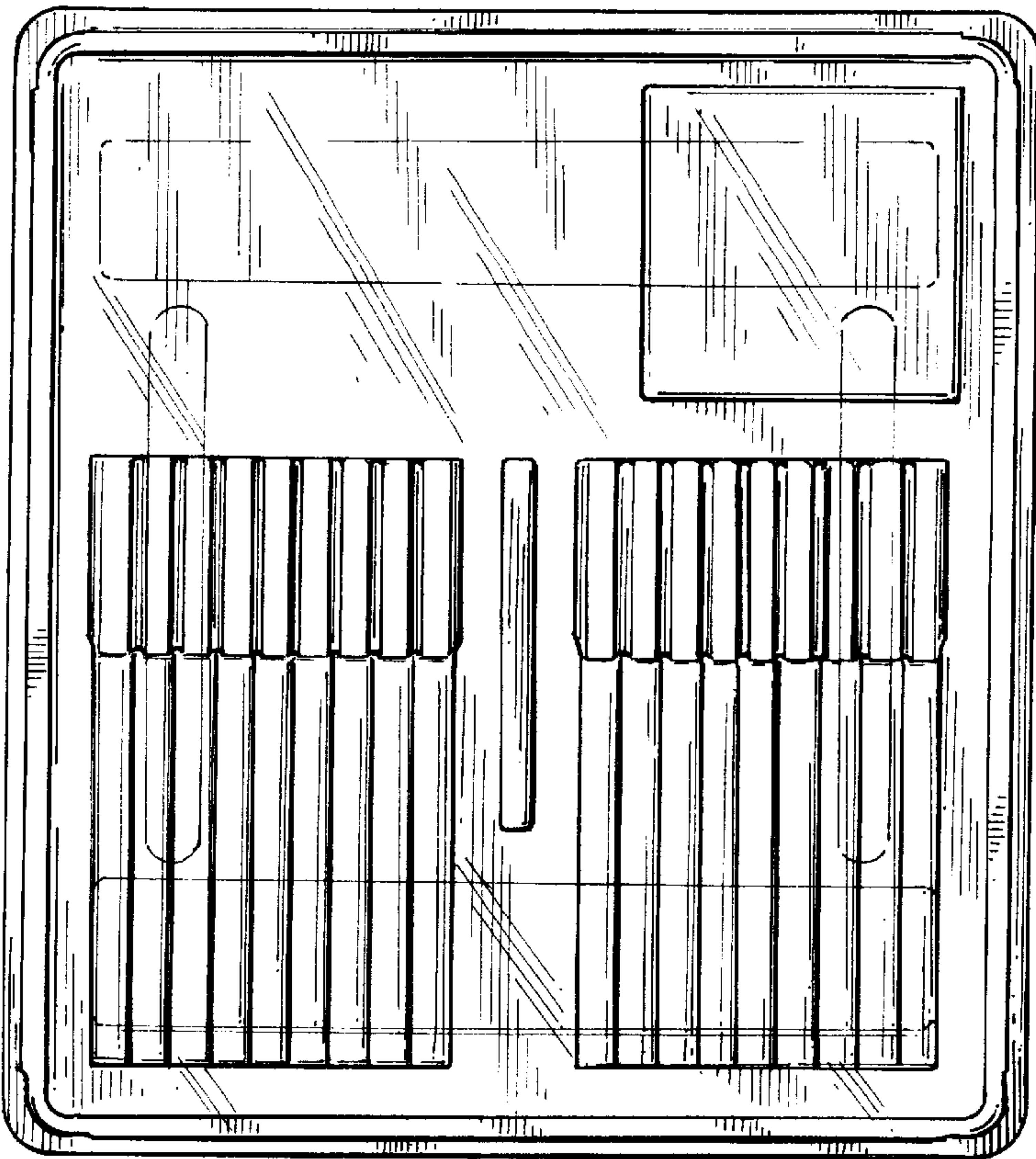


FIG. 1

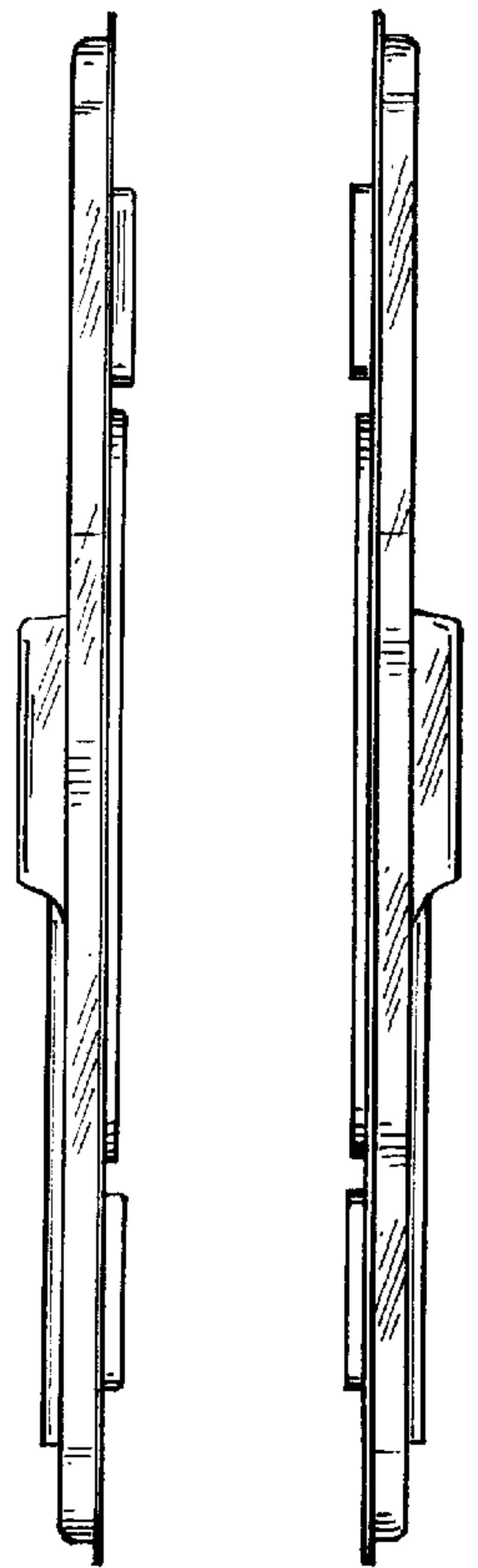


FIG. 3 FIG. 4

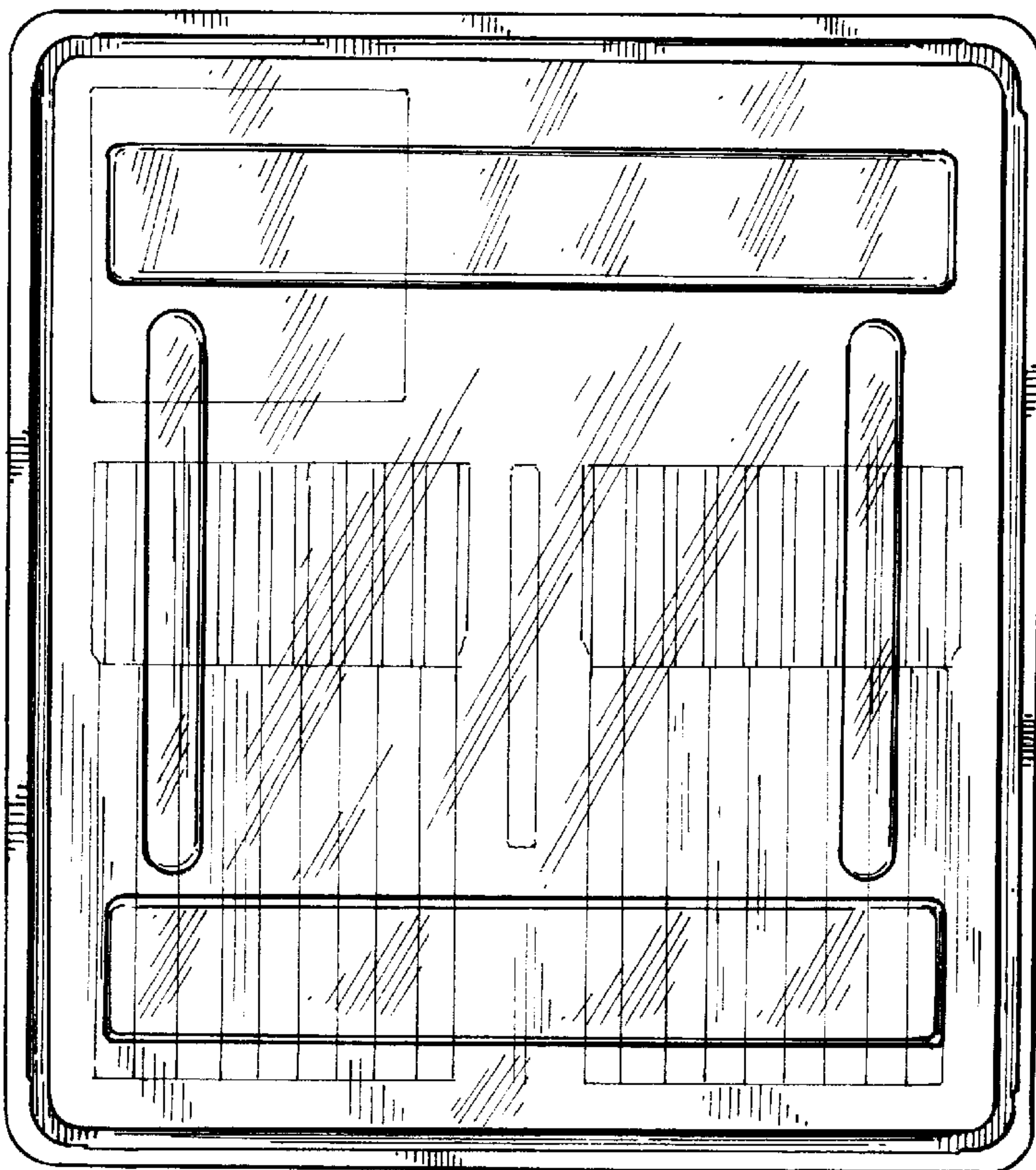


FIG. 2





FIG. 5



FIG. 6

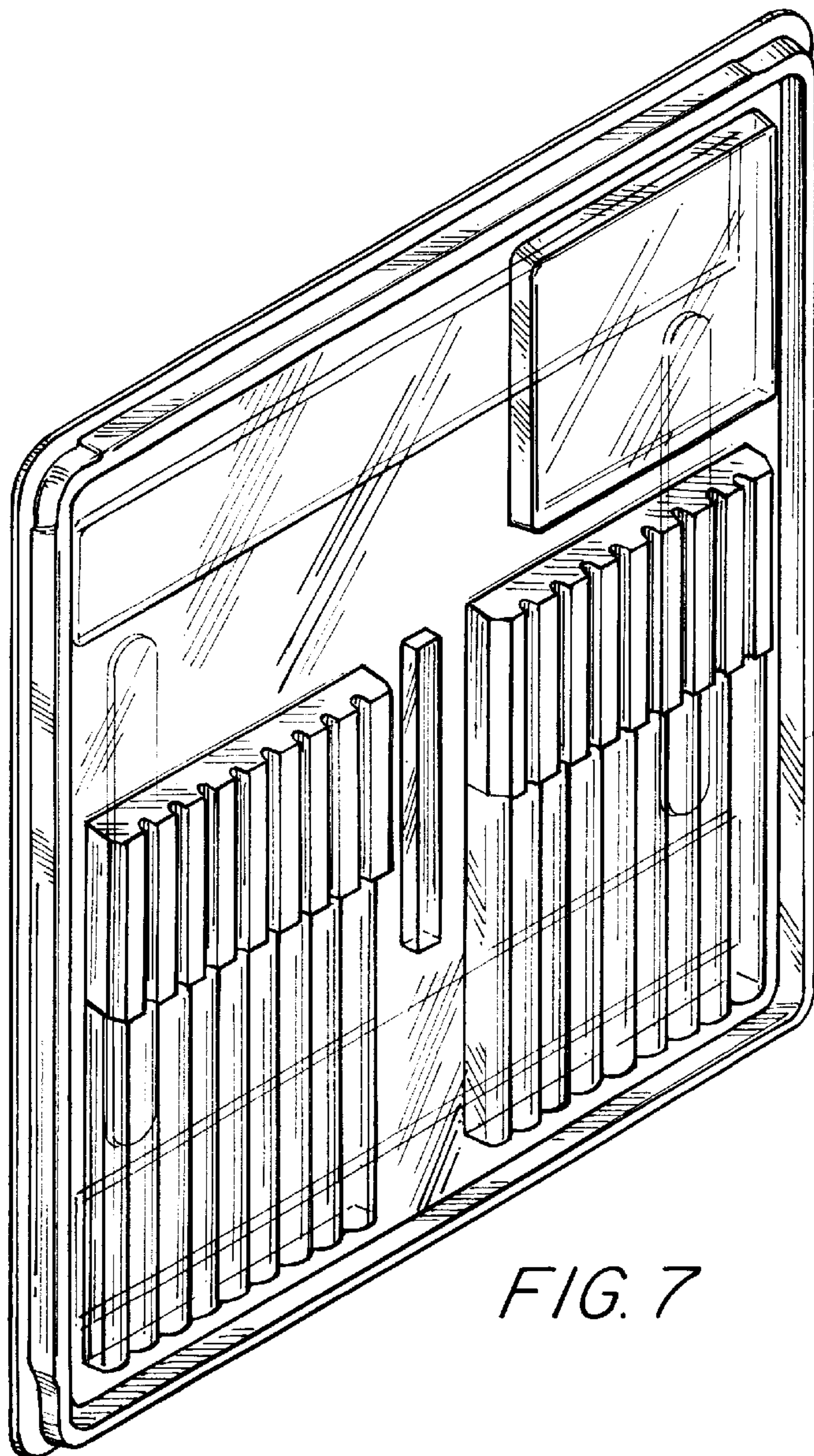


FIG. 7