



US00D434639S

United States Patent [19]
Willett

[11] **Patent Number: Des. 434,639**

[45] **Date of Patent: ** Dec. 5, 2000**

[54] **END BEARING PLATE**

[76] Inventor: **Scott Willett**, 2149 141 La. NW.,
Andover, Minn. 55304

[**] Term: **14 Years**

[21] Appl. No.: **29/123,474**

[22] Filed: **May 19, 2000**

3,185,424 5/1965 Sloop .
5,174,539 12/1992 Leonard .
5,240,216 8/1993 Lin et al. .
5,392,562 2/1995 Carábula .
5,636,678 6/1997 Carper et al. .
5,810,303 9/1998 Bourassa et al. .
5,992,497 11/1999 Jaehnen et al. .

Primary Examiner—Alan P. Douglas
Assistant Examiner—Reid Hecker
Attorney, Agent, or Firm—Burd, Bartz & Gutenkauf

Related U.S. Application Data

[62] Division of application No. 29/116,520, Jan. 3, 2000.

[51] **LOC (7) Cl.** **08-05**

[52] **U.S. Cl.** **D8/354**

[58] **Field of Search** D8/349, 354, 366,
D8/382; D12/223; 16/94 R, 97; 160/181,
201; 248/300, 544, 558, 214, 911; 403/384;
49/346

References Cited

U.S. PATENT DOCUMENTS

D. 371,506 7/1996 Nofziger .
D. 419,430 1/2000 Williams .

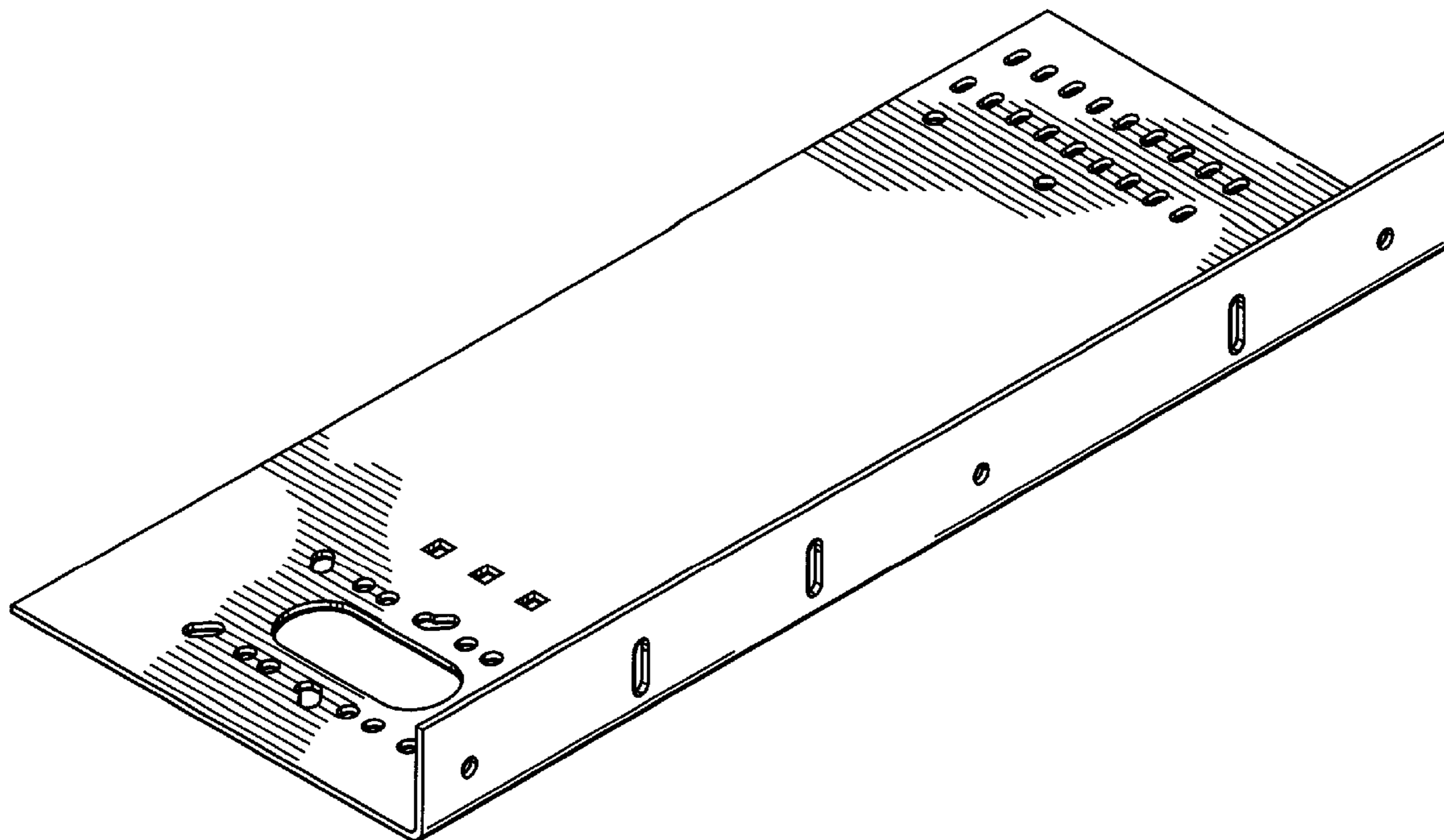
[57] **CLAIM**

The ornamental design for an end bearing plate, as shown and described.

DESCRIPTION

FIG. 1 is a perspective view of an end bearing plate of my new design;
FIG. 2 is a side elevational view of the right side thereof;
FIG. 3 is a side elevational view of the left side thereof;
FIG. 4 is a front elevational view thereof;
FIG. 5 is a rear elevational view thereof;
FIG. 6 is a top plan view thereof; and,
FIG. 7 is a bottom plan view thereof.

1 Claim, 2 Drawing Sheets



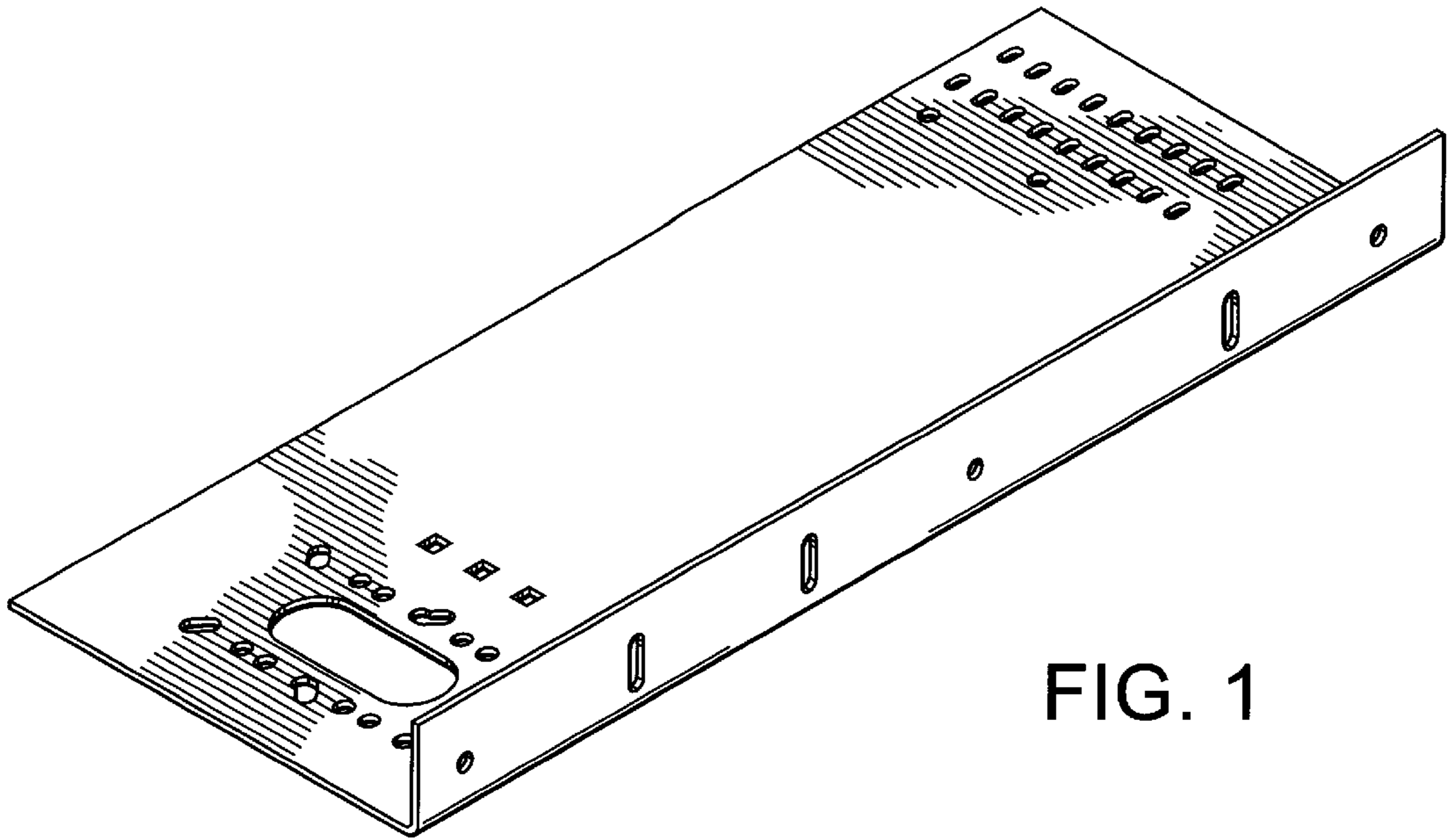


FIG. 1



FIG. 2

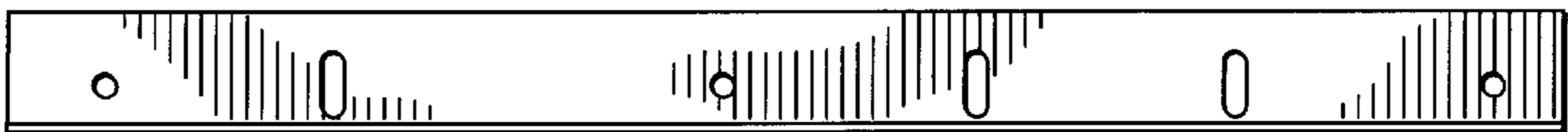


FIG. 3



FIG. 4



FIG. 5

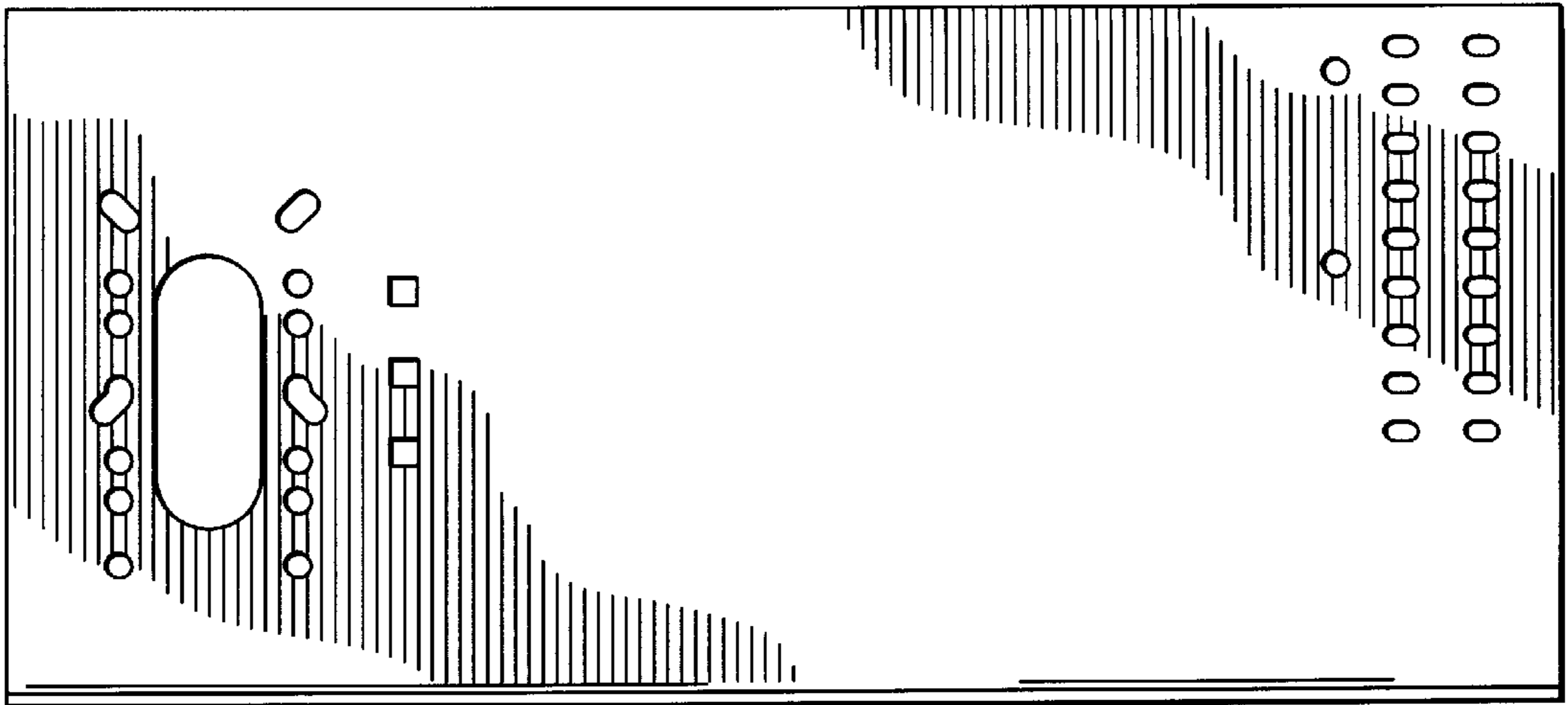


FIG. 6

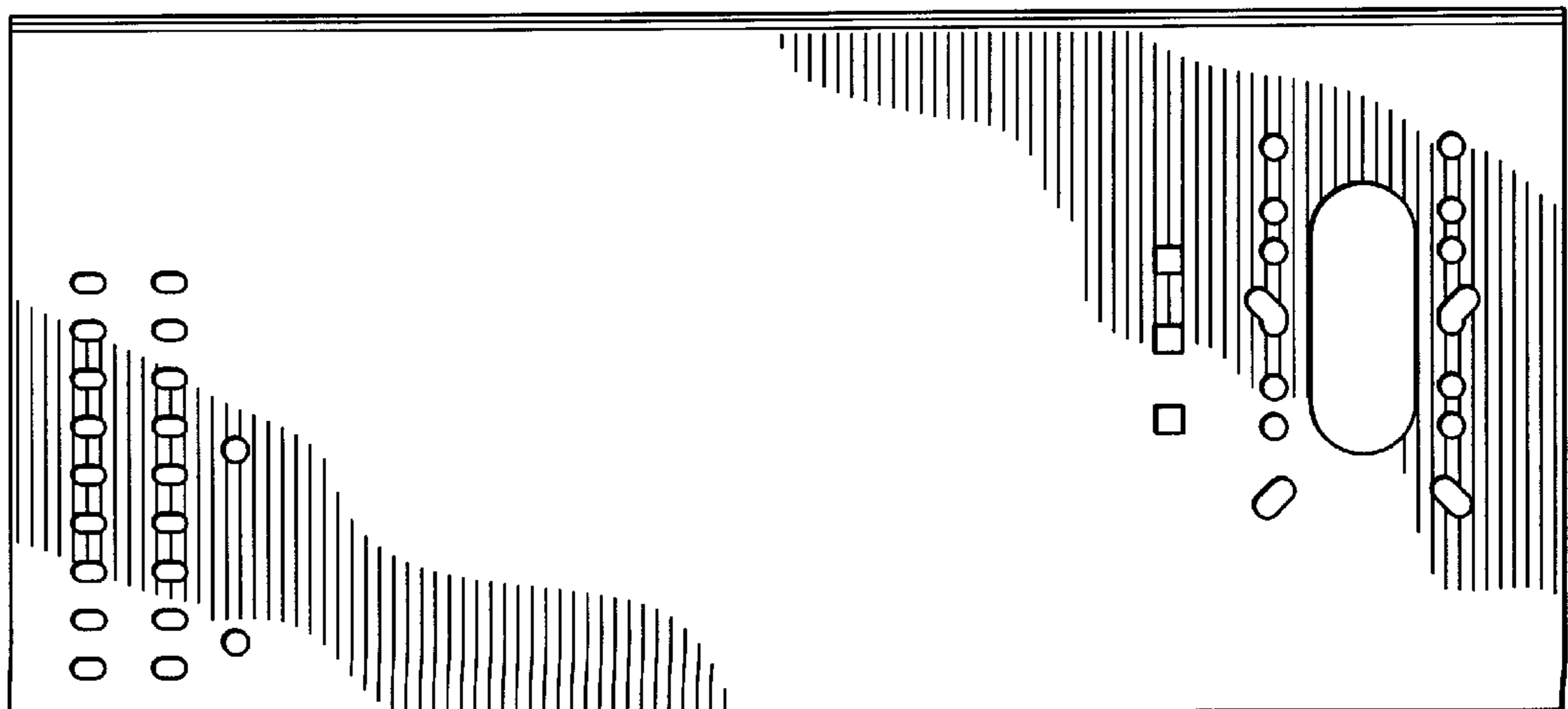


FIG. 7